

US00D598001S

(12) **United States Design Patent**
Peng

(10) **Patent No.:** **US D598,001 S**

(45) **Date of Patent:** **** Aug. 11, 2009**

(54) **CITIZEN BAND TRANSCEIVER WITH BLUETOOTH**

(76) Inventor: **Tseng Jyi Peng**, 70 Pei Nei Street Shulin, Taipei (TW) 238

(**) Term: **14 Years**

(21) Appl. No.: **29/327,705**

(22) Filed: **Nov. 11, 2008**

(51) **LOC (9) Cl.** **14-03**

(52) **U.S. Cl.** **D14/139**

(58) **Field of Classification Search** D14/137, D14/139, 155, 157, 160-171, 188, 191-198, D14/217, 257, 258, 138 R, 138 AA, 138 C, D14/138 AD, 138 AC, 138 G, 147, 218, 341-347; 361/814; 455/90.1-90.3

See application file for complete search history.

(56) **References Cited**

U.S. PATENT DOCUMENTS

D225,412 S *	12/1972	Yazawa et al.	D14/198
D244,697 S	6/1977	Tokiyama		
4,045,739 A *	8/1977	Kawasaki	455/74
D245,978 S *	10/1977	Akazawa	D14/162
D247,495 S *	3/1978	Hoshino et al.	D14/198
D249,687 S	9/1978	Imazeki		
D250,712 S	1/1979	Yanitz		
D250,815 S	1/1979	Yanitz		
D251,730 S	5/1979	Root		
D253,888 S *	1/1980	Bocko	D14/198

(Continued)

OTHER PUBLICATIONS

ICOM IC-2200H, [online], [retrieved on Apr. 8, 2009]. Retrieved from Internet ,<URL: <http://www.twowayradioonline.com>>.*

ICOMIC-208H, [online], [retrieved on Apr. 8, 2009]. Retrieved from Internet ,<URL: <http://www.twowayradioonline.com>>.* U.S. Appl. No. 29/321,704 and IDS filed therein.

Primary Examiner—Jeffrey D Asch
Assistant Examiner—Bridget L Eland
(74) *Attorney, Agent, or Firm*—Michael C. Olson

(57) **CLAIM**

I claim the ornamental design for a citizen band transceiver with bluetooth, as shown and described.

DESCRIPTION

FIG. 1 depicts a perspective view of a citizen band transceiver with bluetooth depicting my new design.

FIG. 2 depicts a top view of a citizen band transceiver with bluetooth depicting my new design.

FIG. 3 depicts a bottom view of a citizen band transceiver with bluetooth depicting my new design.

FIG. 4 depicts a left side view of a citizen band transceiver with bluetooth depicting my new design.

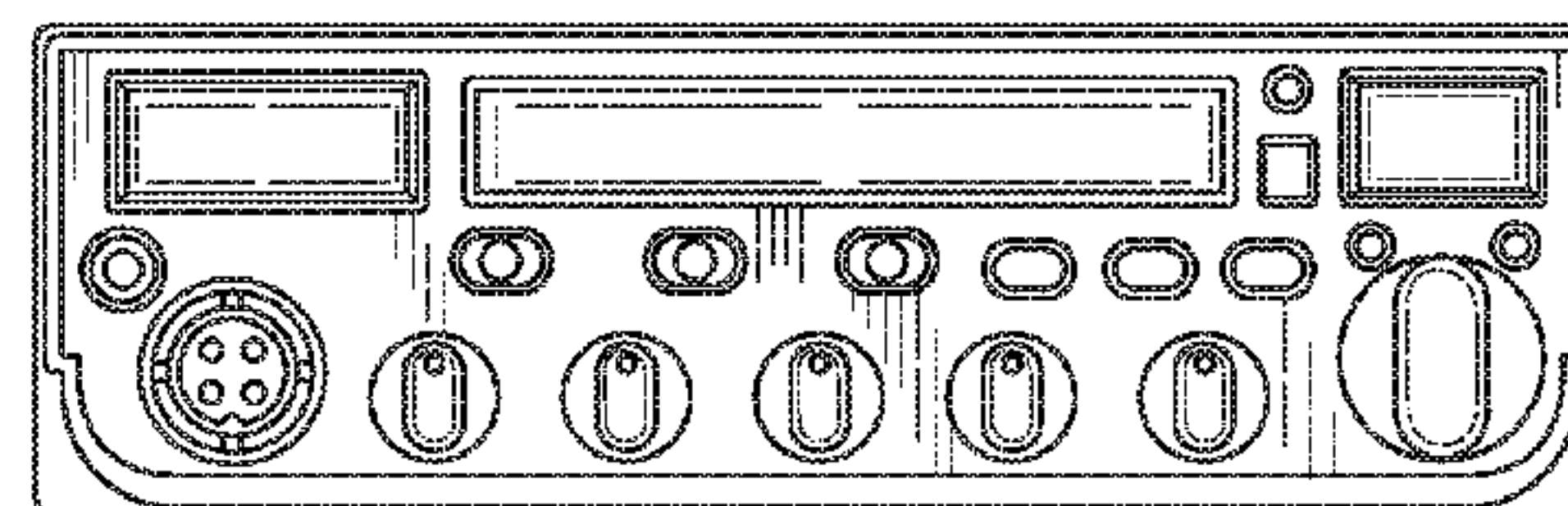
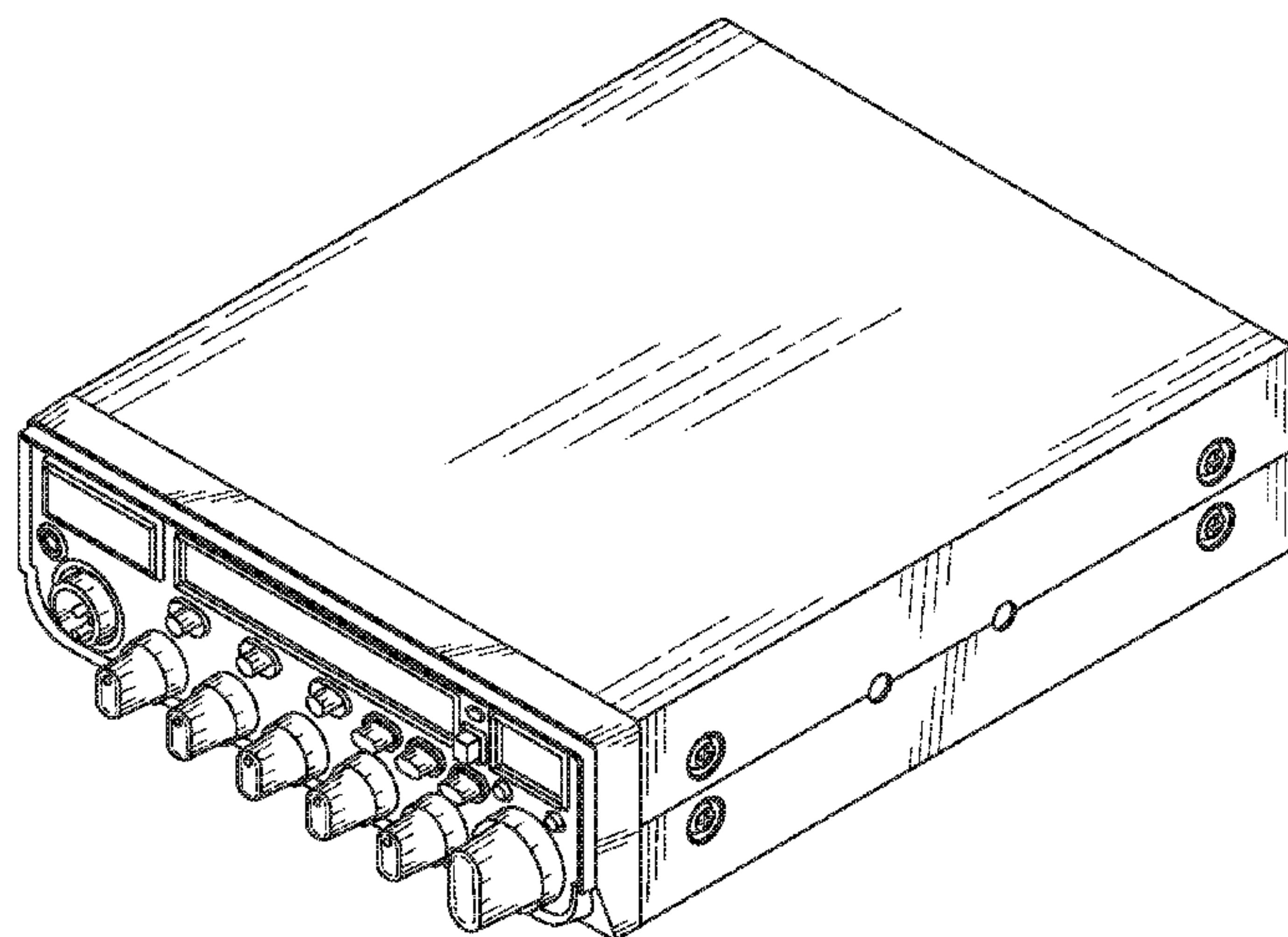
FIG. 5 depicts a right side view of a citizen band transceiver with bluetooth depicting my new design.

FIG. 6 depicts a rear view of a citizen band transceiver with bluetooth depicting my new design; and,

FIG. 7 depicts a front view of a citizen band transceiver with bluetooth depicting my new design.

The broken lines immediately adjacent the shaded areas represent the bounds of the claimed design while all other broken lines are directed to environment and are for illustrative purposes only; the broken lines form no part of the claimed design.

1 Claim, 5 Drawing Sheets



US D598,001 S

Page 2

U.S. PATENT DOCUMENTS

D254,303 S	2/1980	Igo		D292,208 S	10/1987	Fuhrman	
D254,437 S	3/1980	Ohta		D292,210 S	10/1987	Imazeki	
D254,787 S	4/1980	Taguchi		D328,897 S *	8/1992	Ito et al.	D14/198
D259,787 S	7/1981	Nagele		D330,204 S *	10/1992	Tokiyama	D14/258
D260,645 S	9/1981	Kikuhara		D375,956 S *	11/1996	Shintani	D14/197
D260,770 S	9/1981	Fukushima		D414,769 S *	10/1999	Shintani et al.	D14/188
D260,771 S	9/1981	Kainass		6,009,363 A *	12/1999	Beckert et al.	701/33
D272,824 S	2/1984	McGourty		6,470,178 B1 *	10/2002	Cummings-Hill et al.	455/186.1
D275,854 S	10/1984	Nagele		D586,328 S *	2/2009	Ganley et al.	D14/188
D282,725 S *	2/1986	Imazeki	D10/104				

* cited by examiner

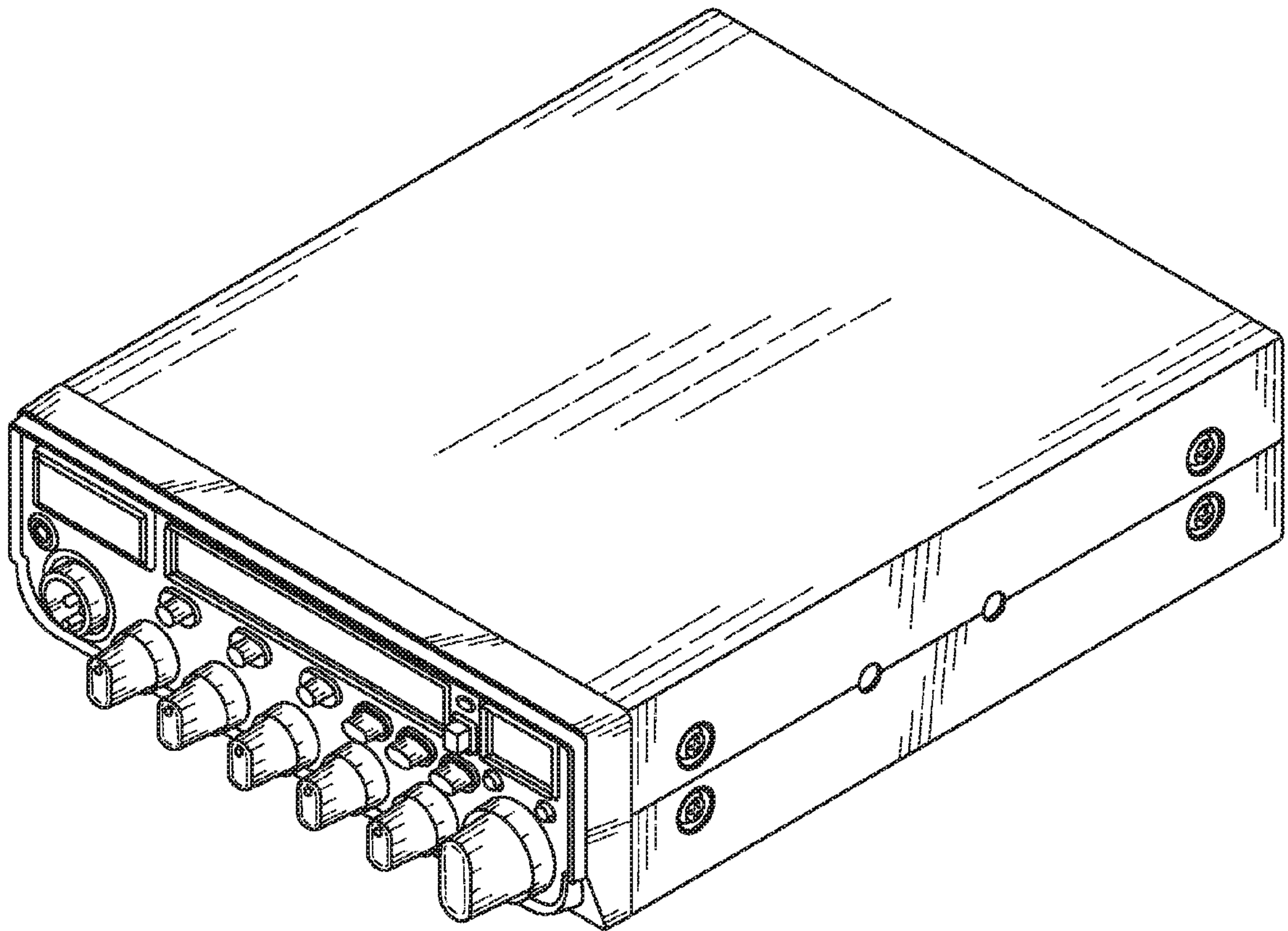


FIG. 1

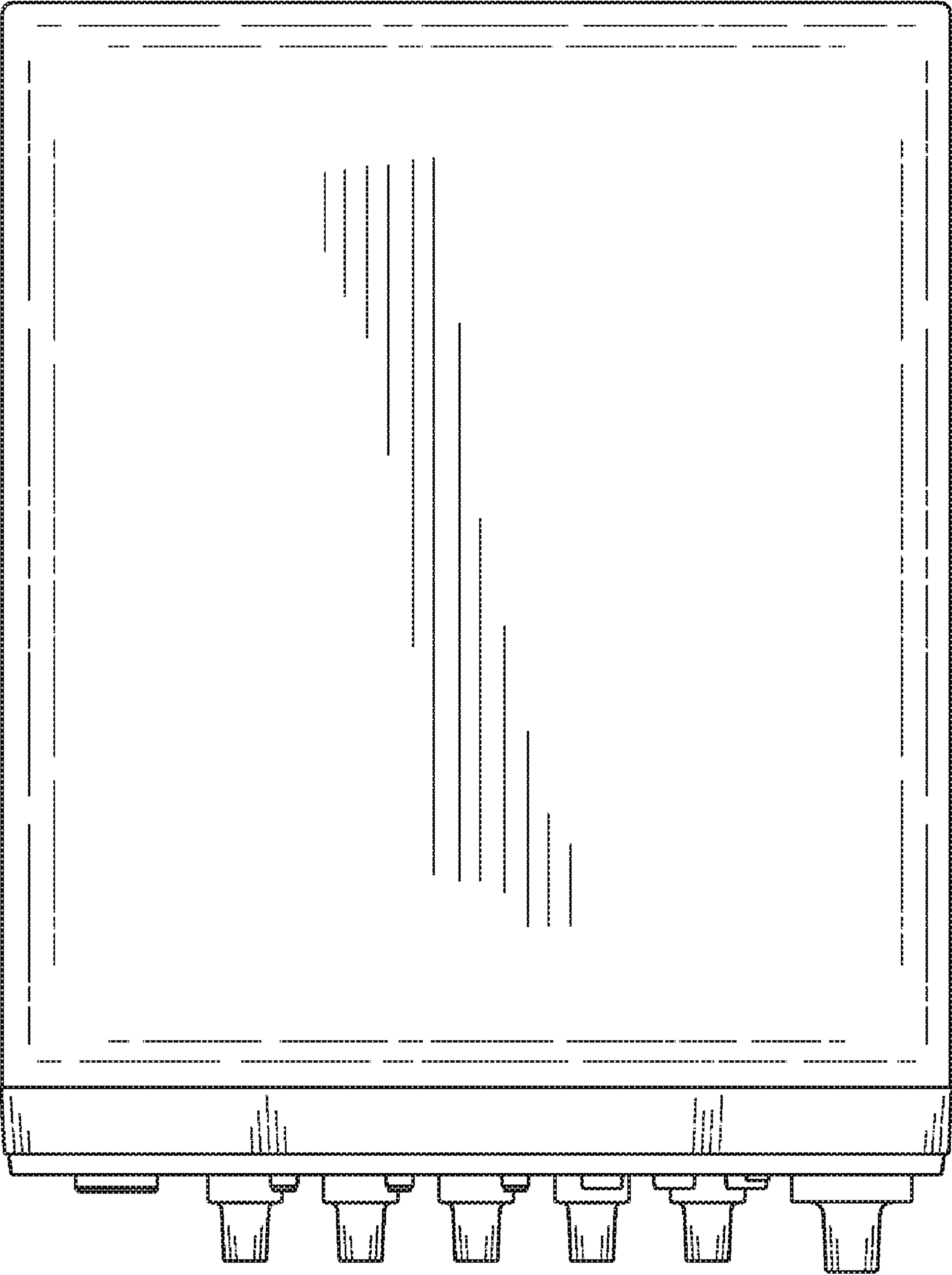


FIG. 2

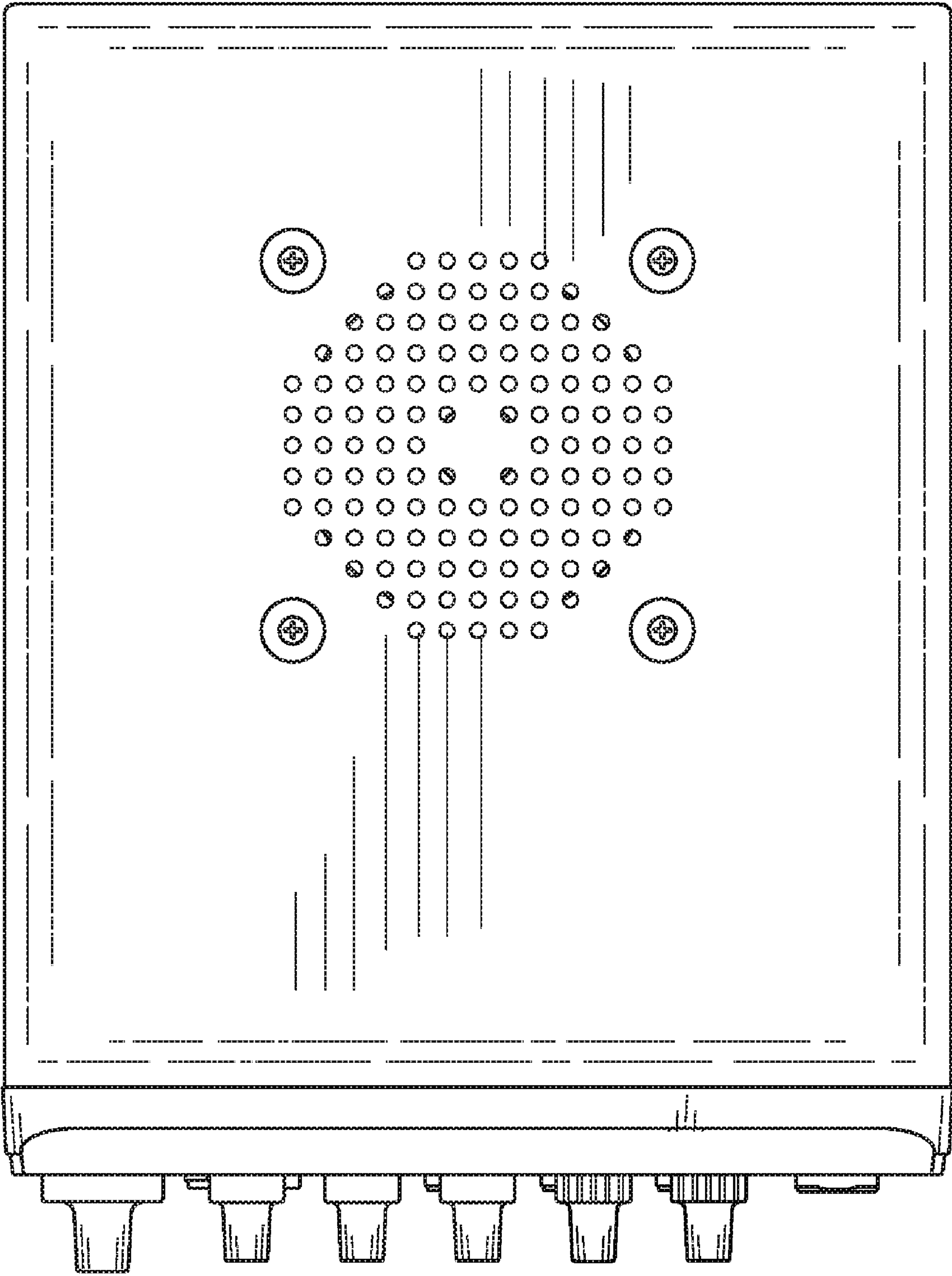


FIG. 3

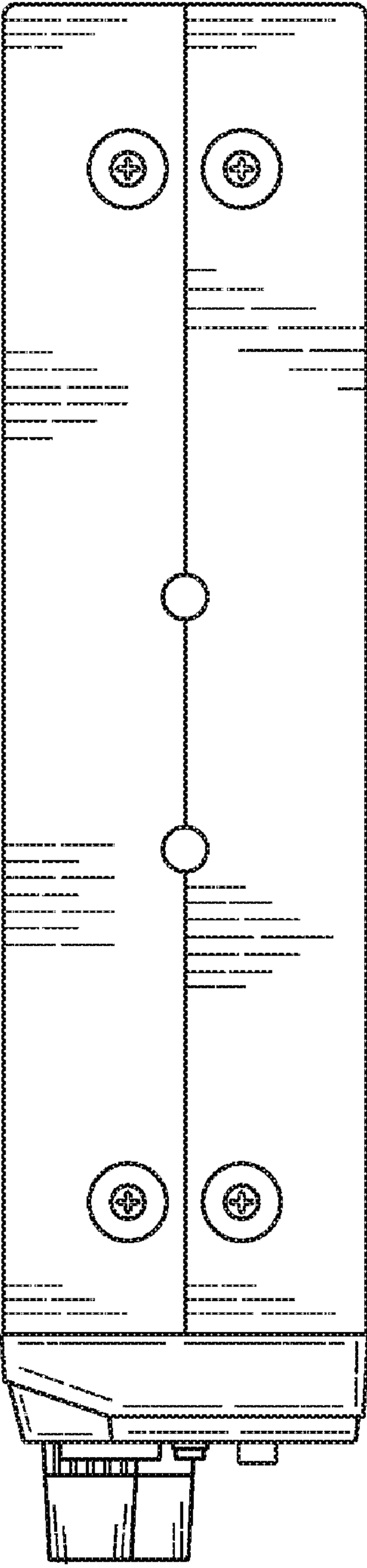


FIG. 4

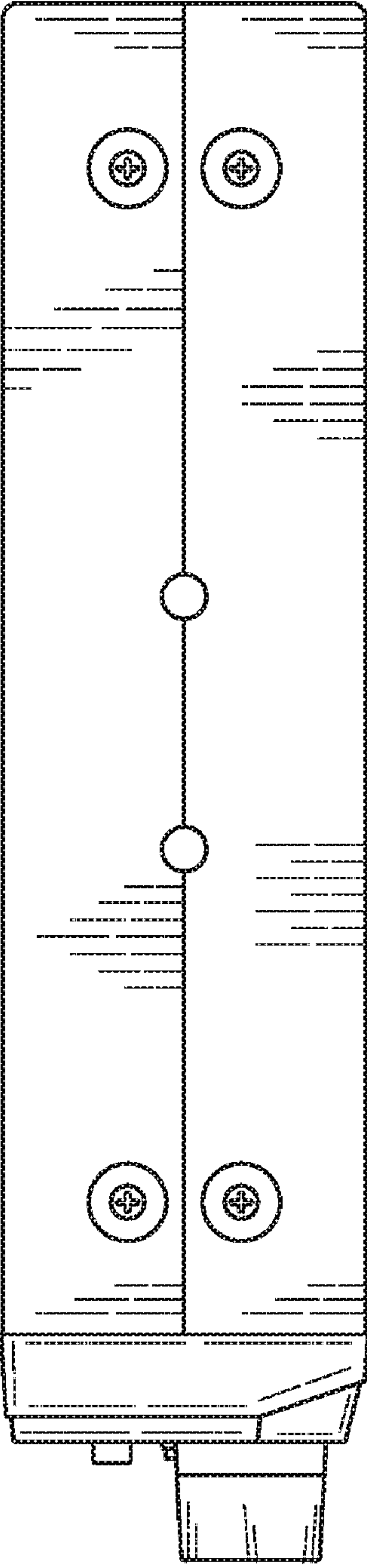


FIG. 5

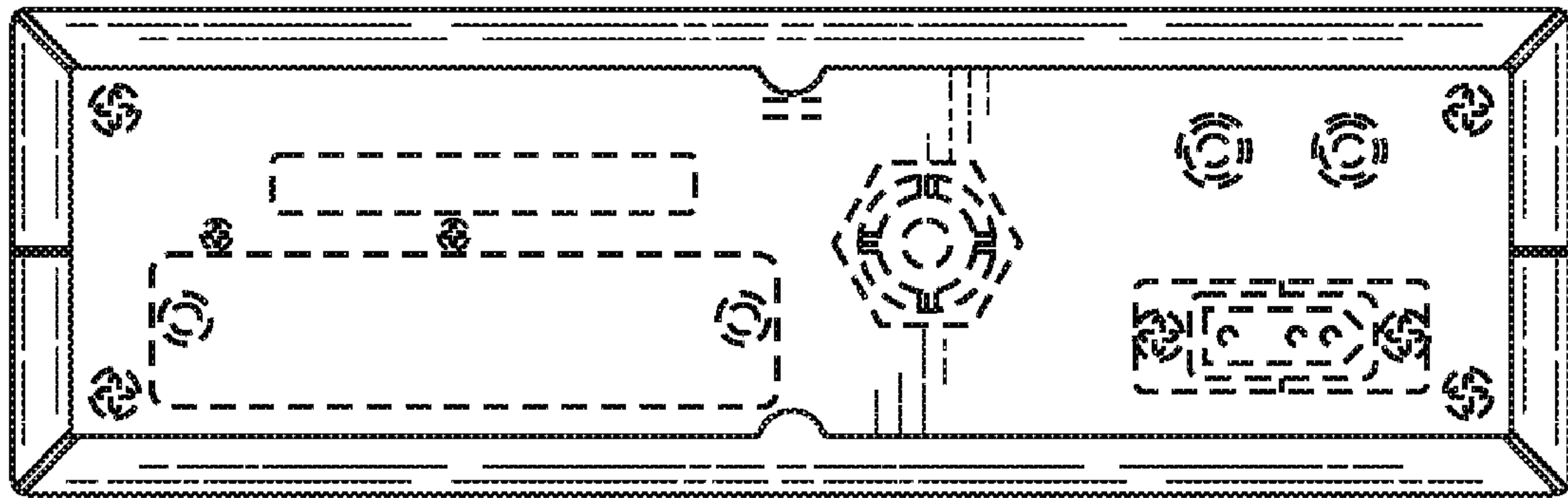


FIG. 6

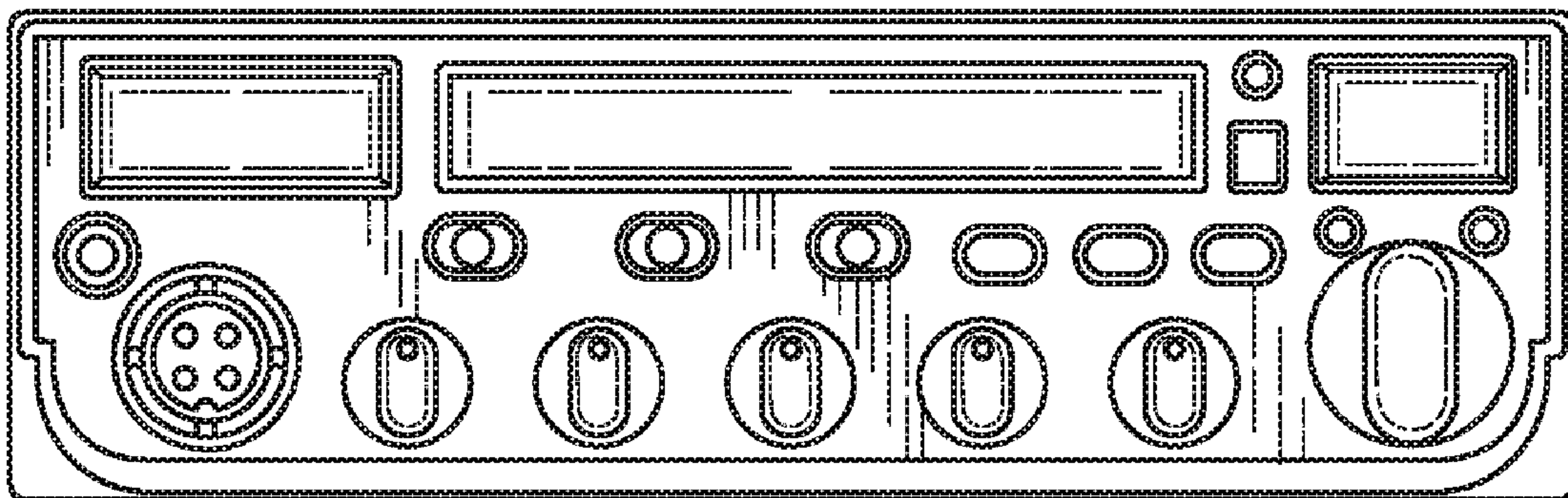


FIG. 7