

US00D597994S

(12) **United States Design Patent**
Koh et al.

(10) **Patent No.:** **US D597,994 S**
(45) **Date of Patent:** **** Aug. 11, 2009**

(54) **MOBILE PHONE**

(75) Inventors: **Min-Ah Koh**, Seoul (KR); **Beom-Ku Han**, Seoul (KR); **Chang-Soo Lee**, Incheon (KR)

(73) Assignee: **Samsung Electronics Co., Ltd.**, Suwon-Si (KR)

(**) Term: **14 Years**

(21) Appl. No.: **29/324,755**

(22) Filed: **Sep. 19, 2008**

(30) **Foreign Application Priority Data**

Jun. 9, 2008 (KR) 30-2008-0024355

(51) **LOC (9) Cl.** **14-03**

(52) **U.S. Cl.** **D14/138 AB**

(58) **Field of Classification Search** D14/138 AB,
D14/138 R, 496, 203.1-203.7, 341-347;
455/575.3

See application file for complete search history.

(56) **References Cited**

U.S. PATENT DOCUMENTS

D489,344 S *	5/2004	Lee et al.	D14/138 AB
D502,161 S *	2/2005	Kim et al.	D14/138 AB
D546,307 S *	7/2007	Lee	D14/138 AB
D549,199 S *	8/2007	Sugiura	D14/138 AB
D551,642 S *	9/2007	Kim et al.	D14/138 AB
D559,823 S *	1/2008	Kim et al.	D14/138 AB
D563,348 S *	3/2008	Park et al.	D14/138 AB
D572,226 S *	7/2008	Park et al.	D14/138 AB
D573,574 S *	7/2008	Suk et al.	D14/138 AB
D573,966 S *	7/2008	Park et al.	D14/138 AB
D576,587 S *	9/2008	Jung et al.	D14/138 AB
D576,984 S *	9/2008	Park et al.	D14/138 AB
D579,438 S *	10/2008	Kim et al.	D14/138 R
D579,894 S *	11/2008	Yabe et al.	D14/138 R

D579,895 S *	11/2008	Yoshihara et al.	D14/138 R
D583,785 S *	12/2008	Lee et al.	D14/138 AB
D583,786 S *	12/2008	Jeong et al.	D14/138 AB
D584,265 S *	1/2009	Lee et al.	D14/138 AB
D585,863 S *	2/2009	Nilsen et al.	D14/138 AB
D585,867 S *	2/2009	Lee	D14/138 AB
D586,312 S *	2/2009	Kim et al.	D14/138 AB
D586,318 S *	2/2009	Laine	D14/138 AB
D586,319 S *	2/2009	Laine	D14/138 AB
D588,094 S *	3/2009	Tom	D14/138 AB
D588,095 S *	3/2009	Tom	D14/138 AB

OTHER PUBLICATIONS

Samsung S3600 telephone, announced Oct. 2008, [online], [site visited Mar. 17, 2009]. Available from Internet ,<URL: <http://www.gsmarena.com>>.*

(Continued)

Primary Examiner—Jeffrey D Asch

(74) *Attorney, Agent, or Firm*—Staas & Halsey LLP

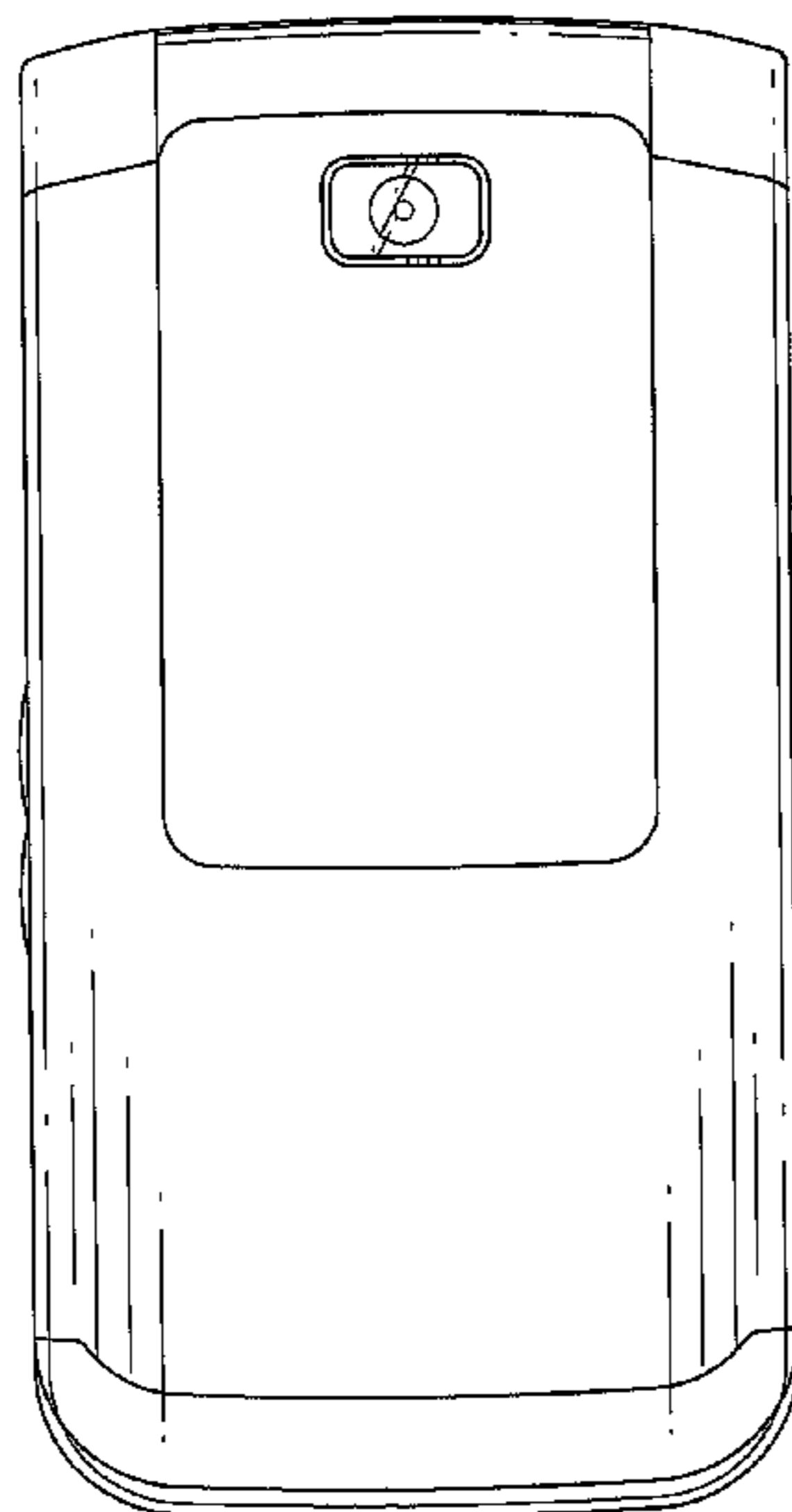
(57) **CLAIM**

The ornamental design for a mobile phone, as shown and described.

DESCRIPTION

FIG. 1 is a front perspective view of a mobile phone; FIG. 2 is a front view of the mobile phone of FIG. 1; FIG. 3 is a rear view of the mobile phone of FIG. 1; FIG. 4 is a left-side view of the mobile phone of FIG. 1; FIG. 5 is a right-side view of the mobile phone of FIG. 1; FIG. 6 is a top plan view of the mobile phone of FIG. 1; FIG. 7 is a bottom plan view of the mobile phone of FIG. 1; and, FIG. 8 is an open perspective view of the mobile phone of FIG. 1.

1 Claim, 5 Drawing Sheets



OTHER PUBLICATIONS

Samsung C400 telephone, announced Sep. 2006, [online], [site visited Mar. 17, 2009]. Available from Internet ,<URL: <http://www.gsmarena.com>>.*

Motorola ROKR W5 telephone, announced Sep. 2007, [online], [site visited Mar. 17, 2009]. Available from Internet , <URL: <http://www.gsmarena.com>>.*

Sony Ericsson W508 telephone, announced Jan. 2009, [online], [site visited Mar. 17, 2009]. Available from Internet , <URL: <http://www.gsmarena.com>>.*

LG F2250 telephone, announced 3rd quarter 2005, [online], [site visited Mar. 17, 2009]. Available from Internet ,<URL: <http://www.gsmarena.com>>.*

Sagem MY C-2 telephone, announced 4th quarter 2003, [online], [site visited Mar. 17, 2009]. Available from Internet , <URL: <http://www.gsmarena.com>>.*

NEC 802 telephone, announced 3rd quarter 2004, [online], [site visited Mar. 17, 2009]. Available from Internet ,<URL: <http://www.gsmarena.com>>.*

* cited by examiner

FIG. 1

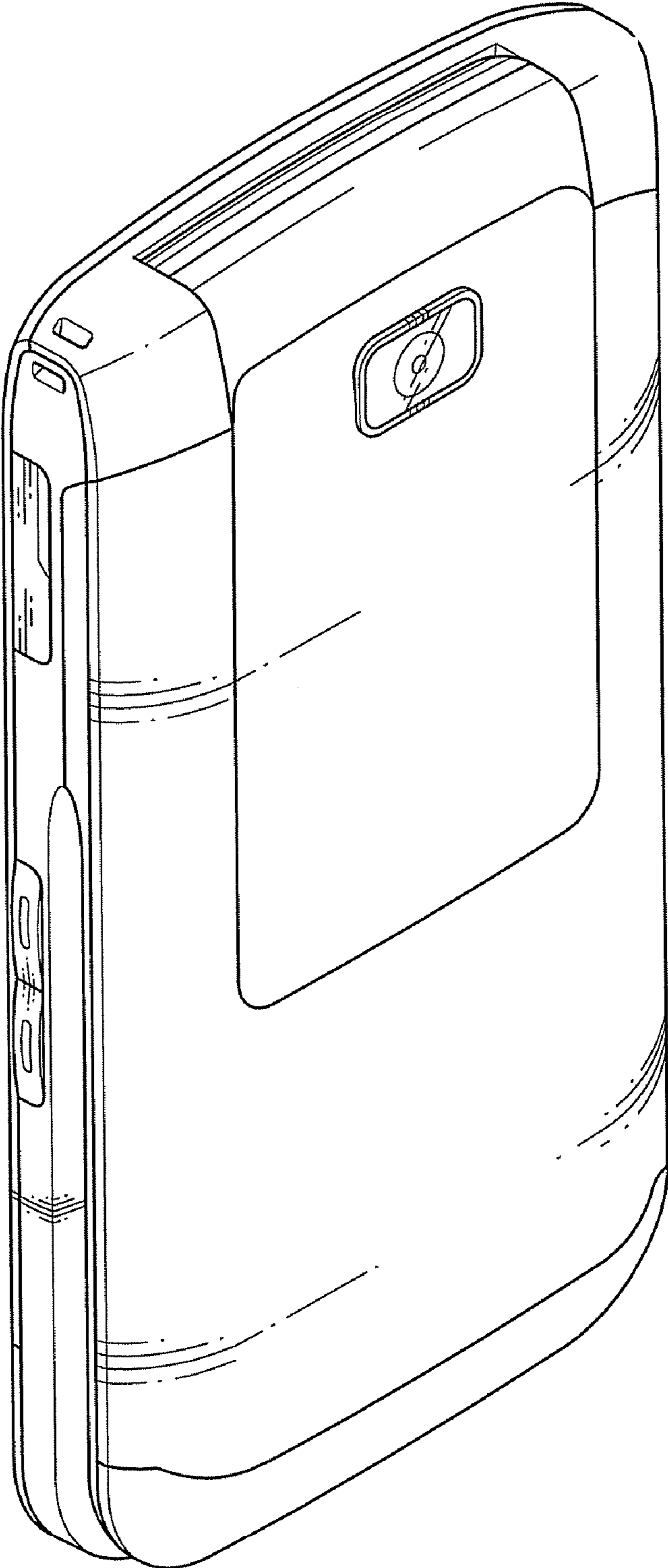


FIG.2

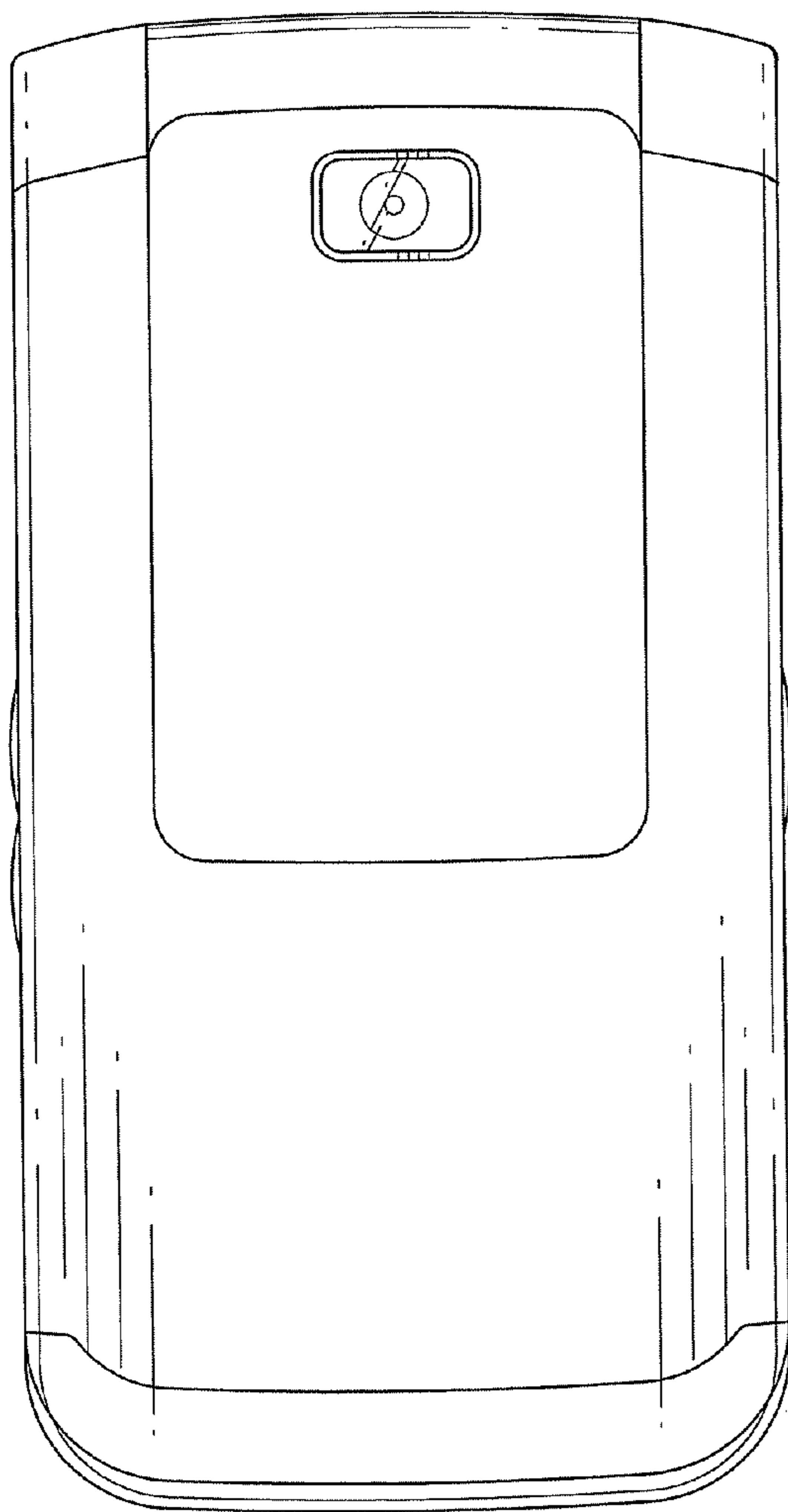


FIG.3

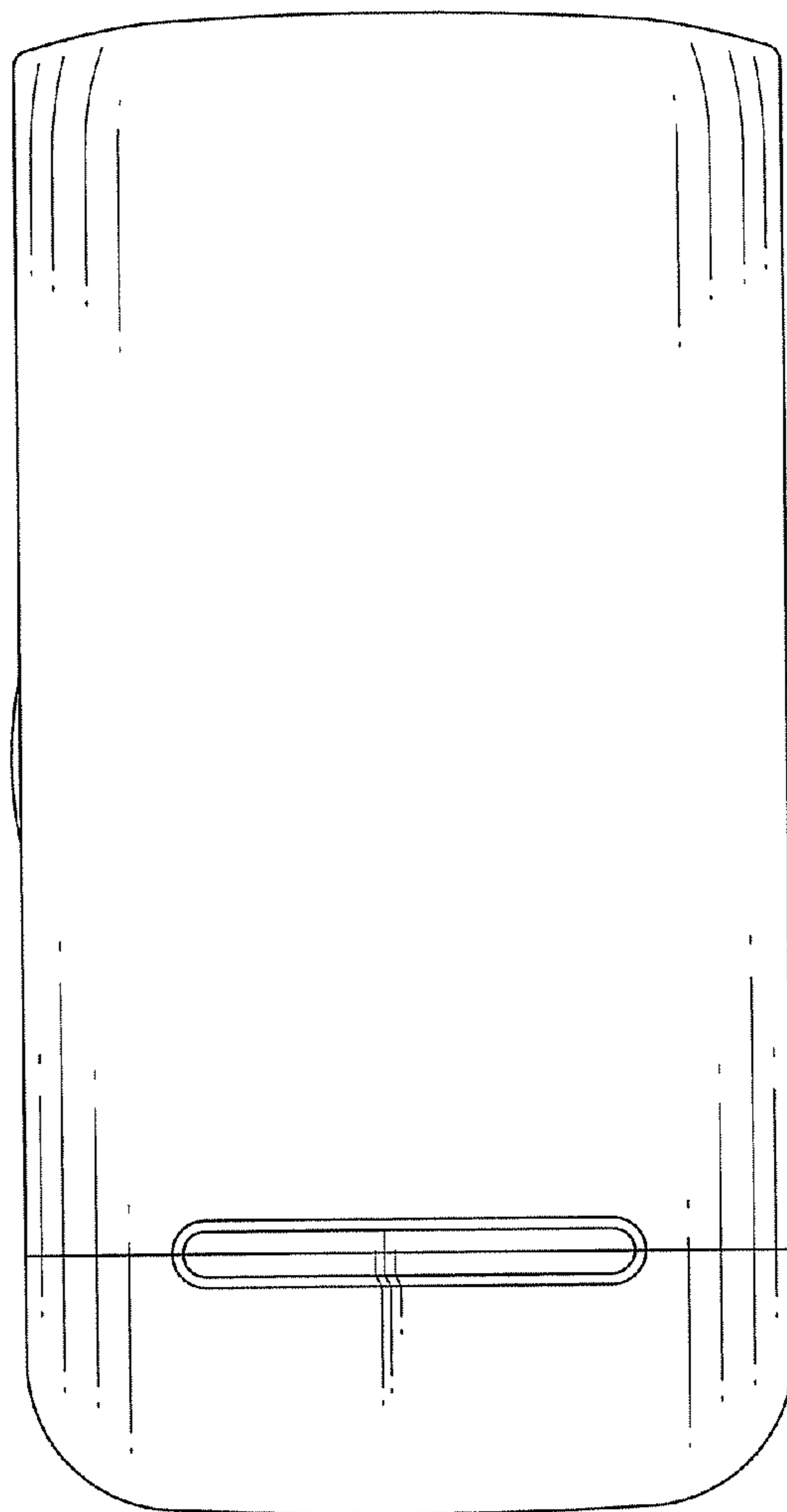


FIG. 4

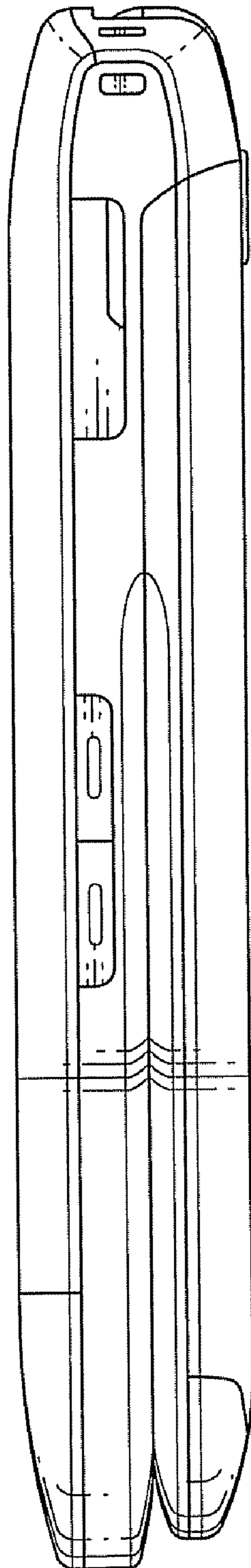


FIG. 5

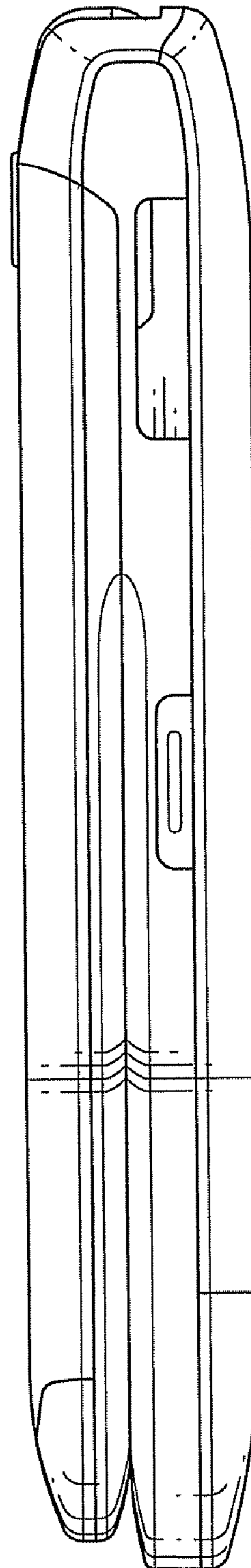


FIG. 6

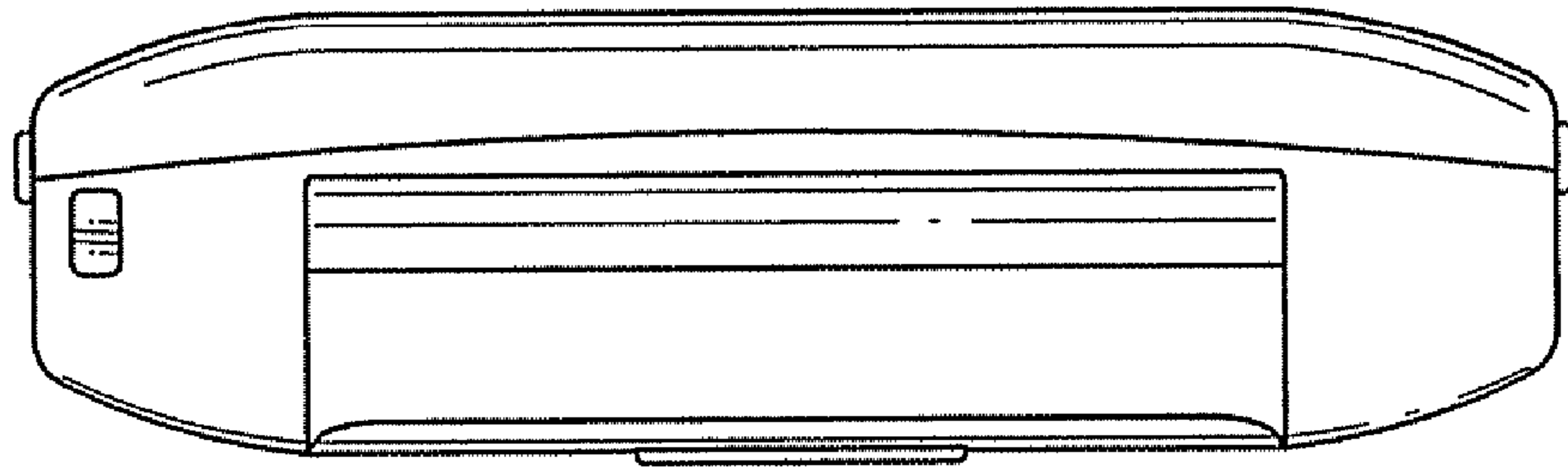


FIG. 7

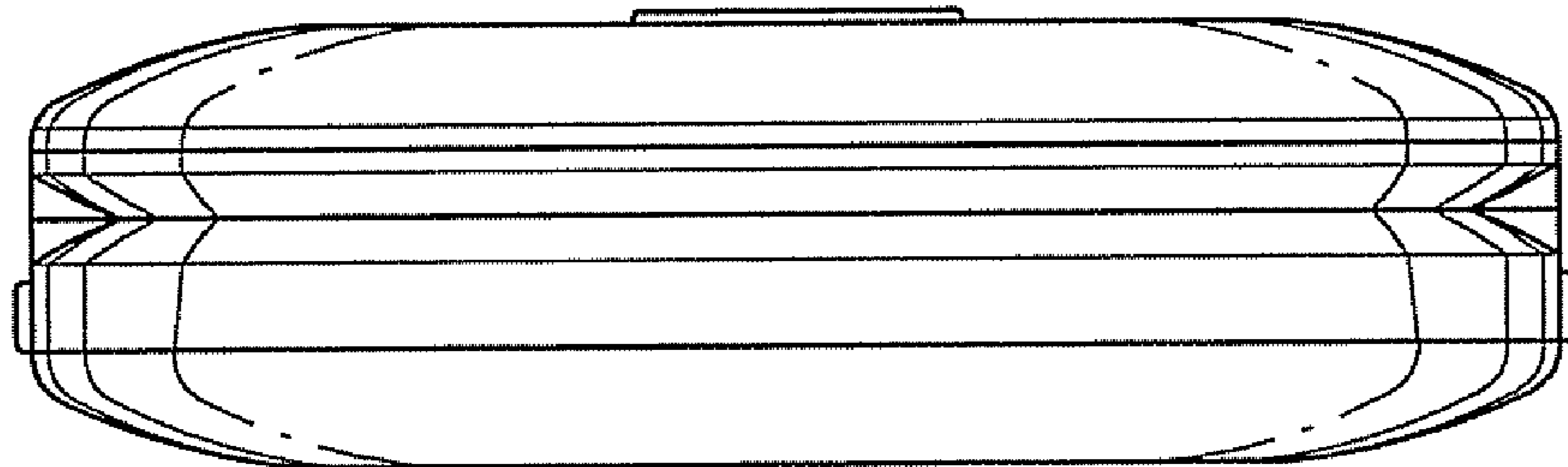


FIG. 8

