



US00D597979S

(12) **United States Design Patent**
Trang et al.

(10) **Patent No.:** **US D597,979 S**

(45) **Date of Patent:** **** Aug. 11, 2009**

(54) **DISPLAY**

(75) Inventors: **Wen-Lung Trang**, Taipei Hsien (TW);
Nian-Feng Zhen, Shenzhen (CN)

(73) Assignee: **Hon Hai Precision Industry Co., Ltd.**,
Tu-Cheng, Taipei Hsien (TW)

(**) Term: **14 Years**

(21) Appl. No.: **29/323,682**

(22) Filed: **Aug. 28, 2008**

(30) **Foreign Application Priority Data**

Jun. 20, 2008 (CN) 200830300818.0

(51) **LOC (9) Cl.** **14-03**

(52) **U.S. Cl.** **D14/126**

(58) **Field of Classification Search** D14/125-134,
D14/239, 371, 136, 374-377, 440, 450, 448,
D14/336, 342; 312/7.2; 348/836, 838, 180,
348/184, 325, 739; 341/12; 248/917-924,
248/465; 345/104, 133, 156, 168, 87, 173;
720/605, 669, 600, 655; 369/99, 197; 455/344,
455/347; D21/329, 515, 577, 622, 333, 433,
D21/448, 452, 450, 331; D6/477, 479; 273/148 B;
446/484, 175, 356; D10/15, 26
See application file for complete search history.

(56) **References Cited**

U.S. PATENT DOCUMENTS

D416,251 S * 11/1999 Rosen D14/375

D439,567 S * 3/2001 Forlenza et al. D14/129
D531,593 S * 11/2006 Overthun D14/126
D558,460 S * 1/2008 Yu et al. D6/308
D572,216 S * 7/2008 Lin D14/126

OTHER PUBLICATIONS

Zhen-Yu, Li, and Jing-Cheng, Chen; Apple iMac; digital home; Oct.
2007; p. 120; TW (See figures).

* cited by examiner

Primary Examiner—Raphael Barkai

(74) *Attorney, Agent, or Firm*—Frank R. Niranjana

(57) **CLAIM**

The ornamental design for a display, as shown and described.

DESCRIPTION

FIG. 1 is a perspective view of a display showing our new design;

FIG. 2 is a front elevational view thereof;

FIG. 3 is a rear elevational view thereof;

FIG. 4 is a left side, elevational view thereof;

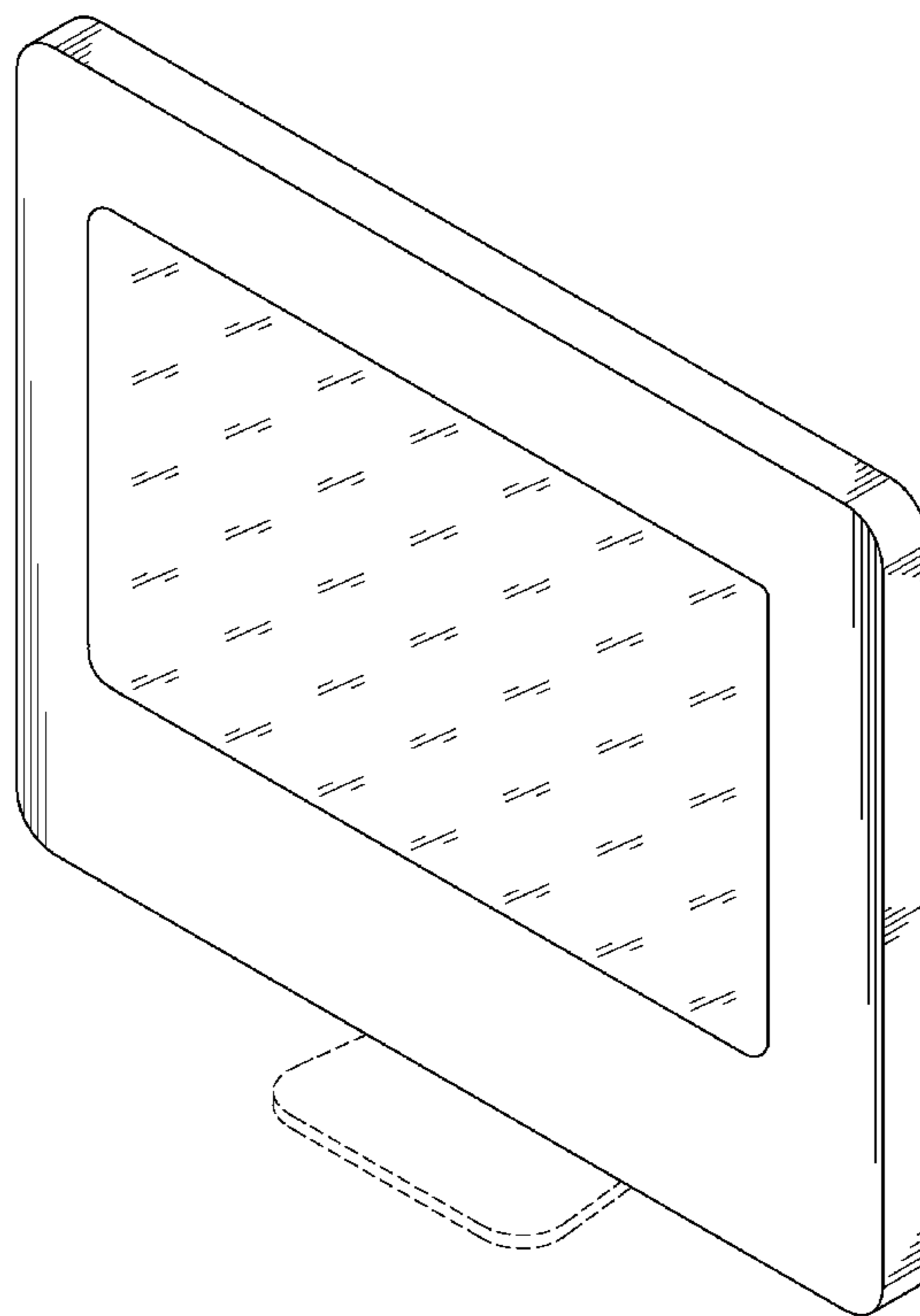
FIG. 5 is a right side, elevational view thereof;

FIG. 6 is a top plan view thereof; and,

FIG. 7 is a bottom plan view thereof.

(The broken line is shown for the purpose of illustration only and forms no part of the claimed design.)

1 Claim, 7 Drawing Sheets



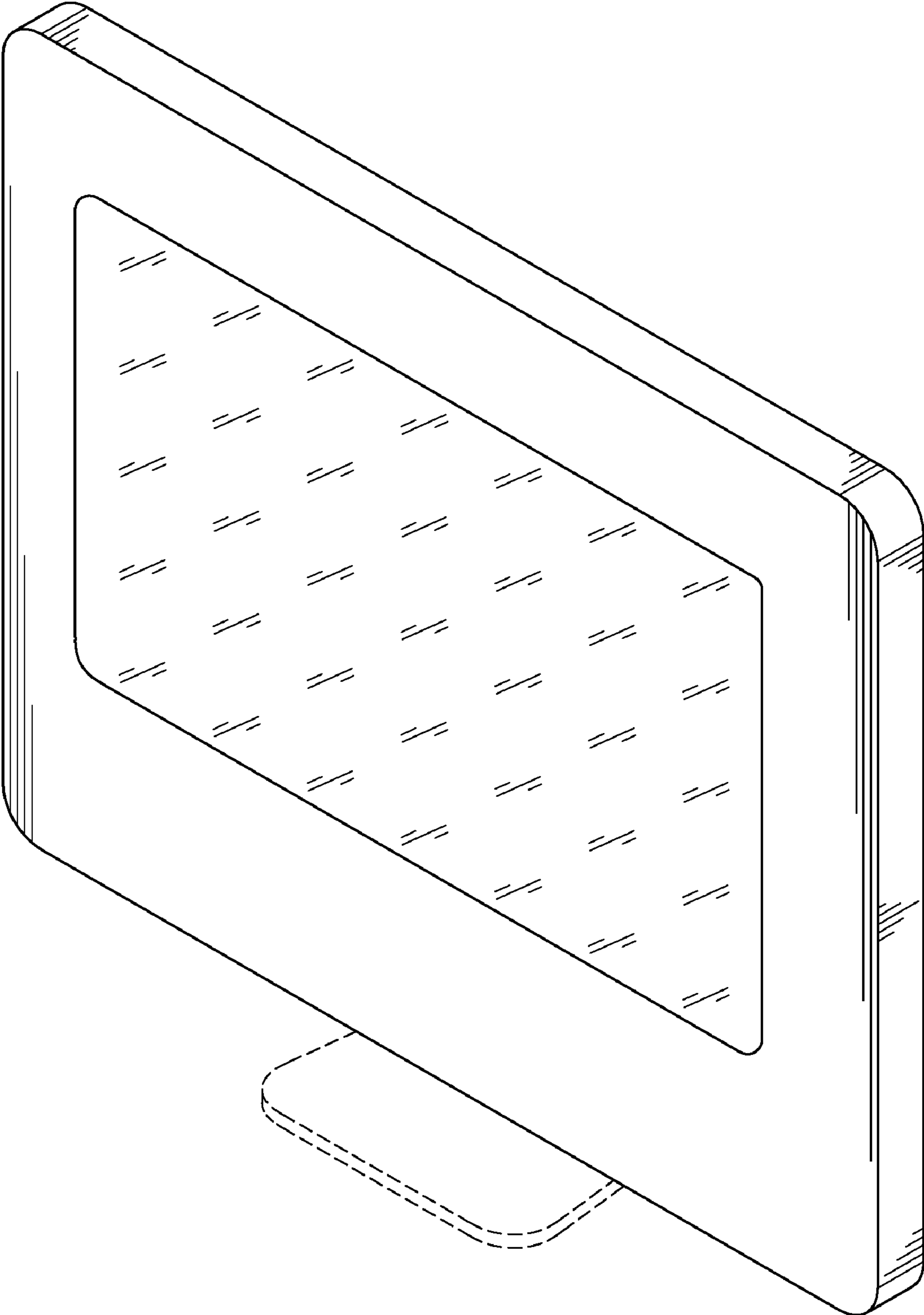


FIG. 1

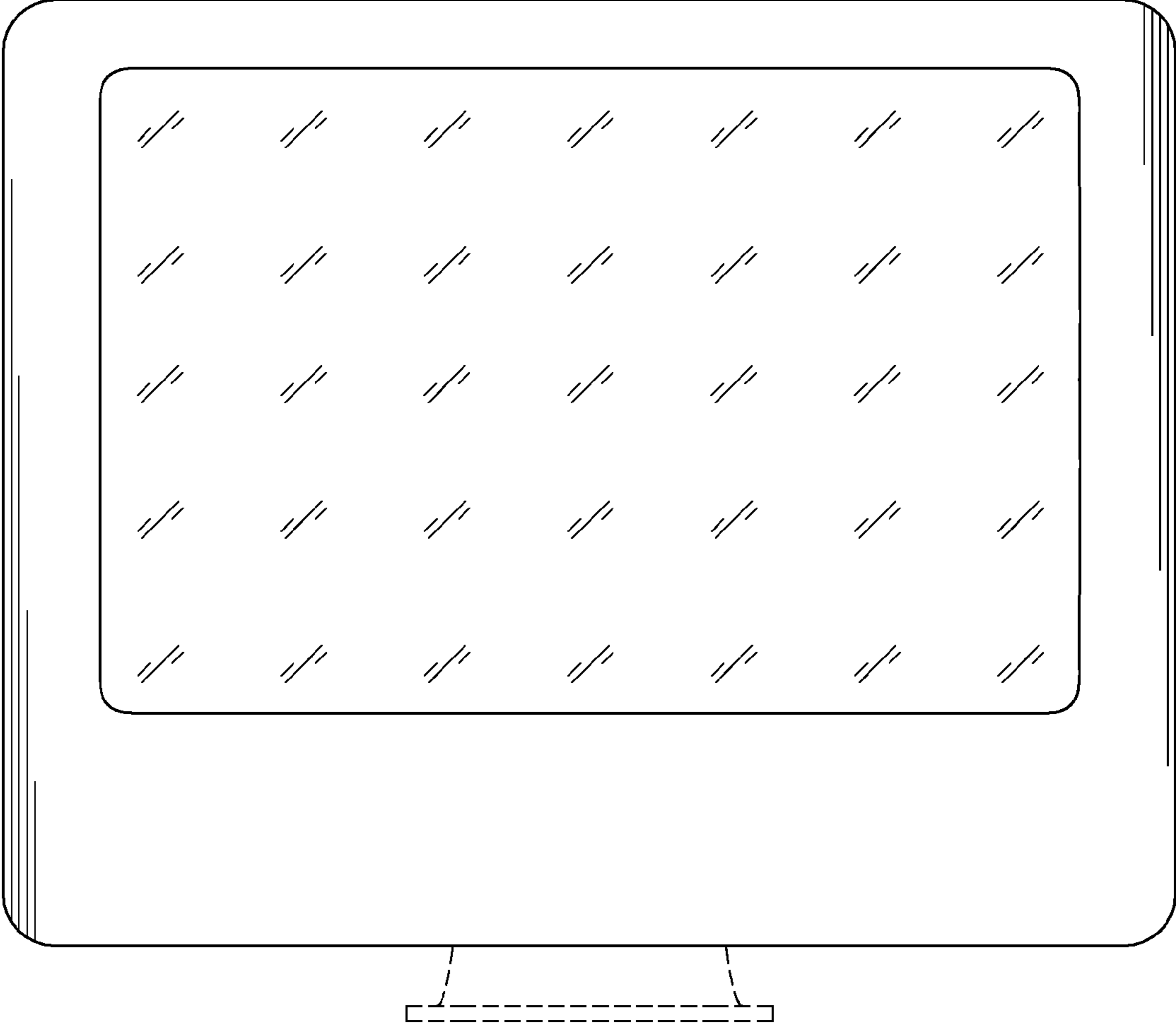


FIG. 2

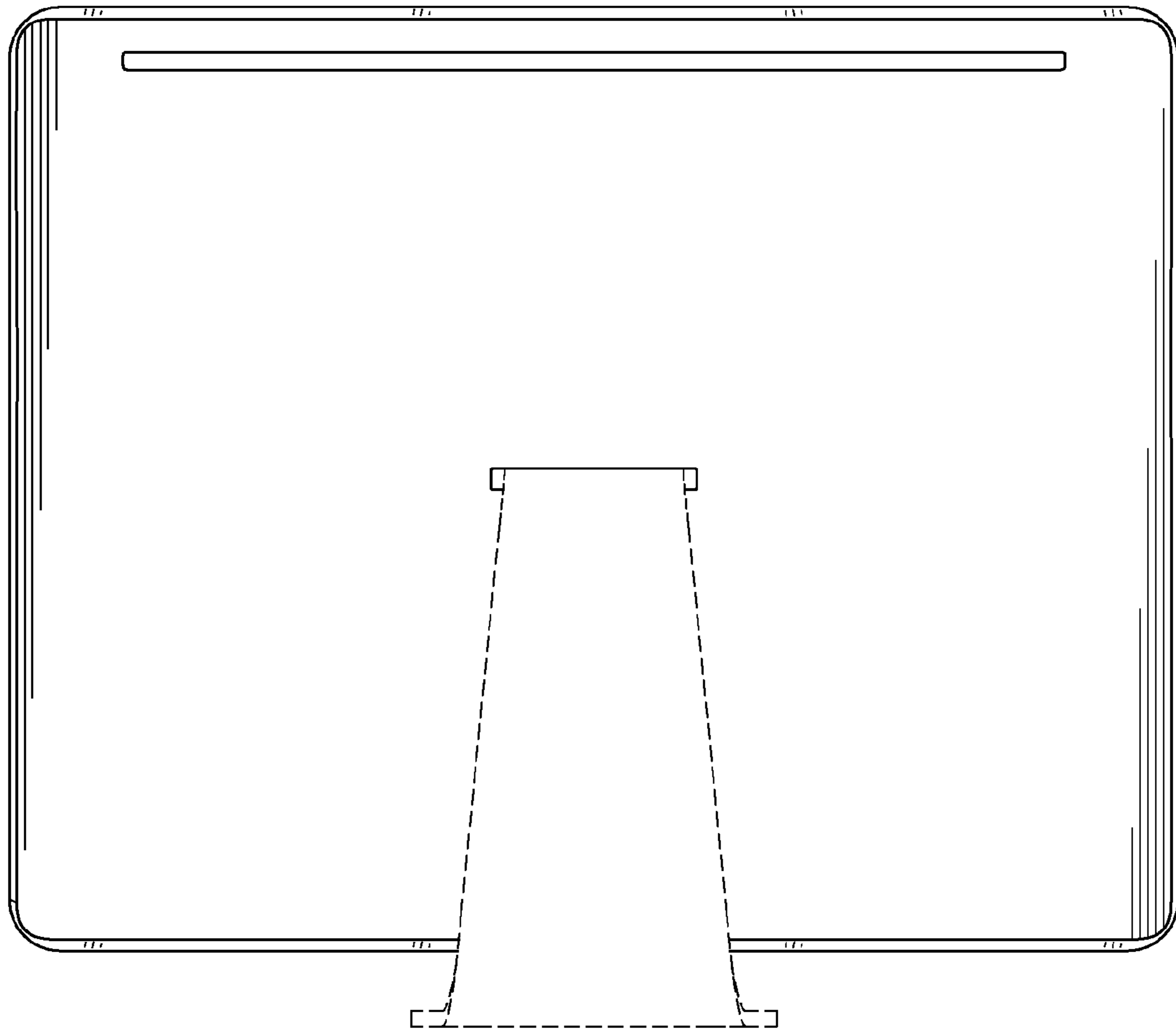


FIG. 3

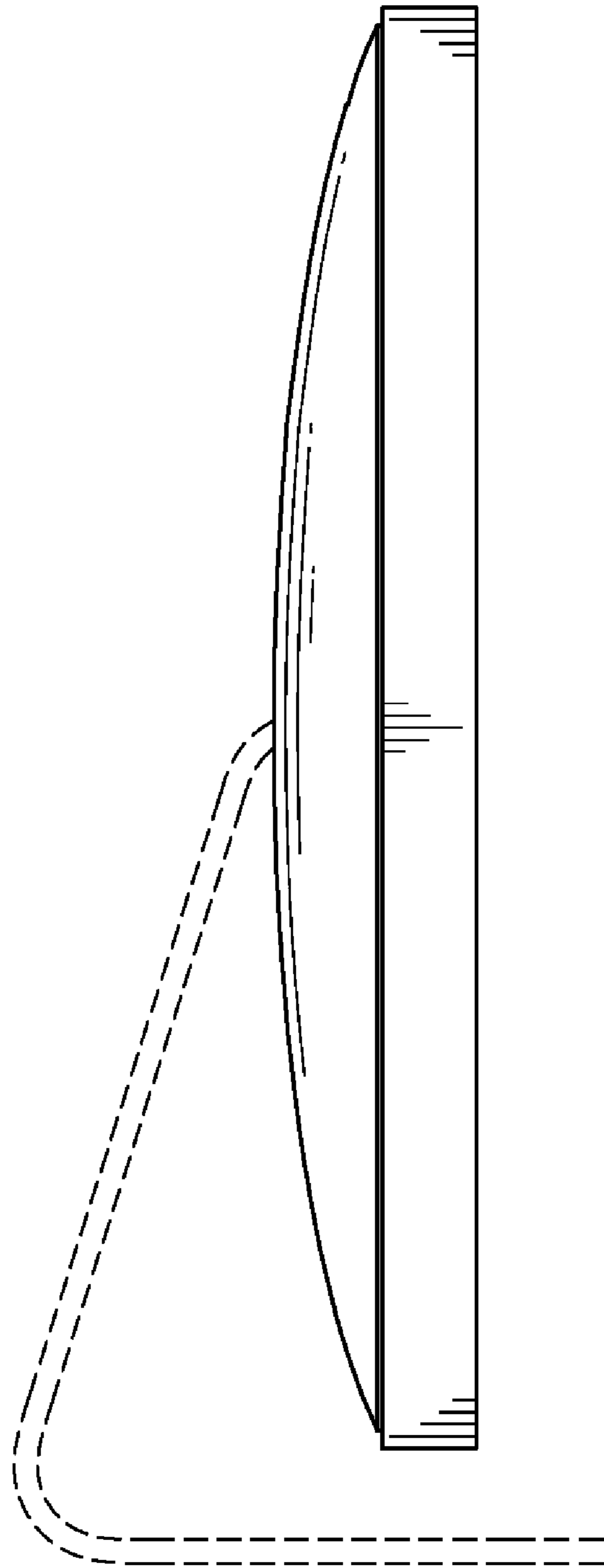


FIG. 4

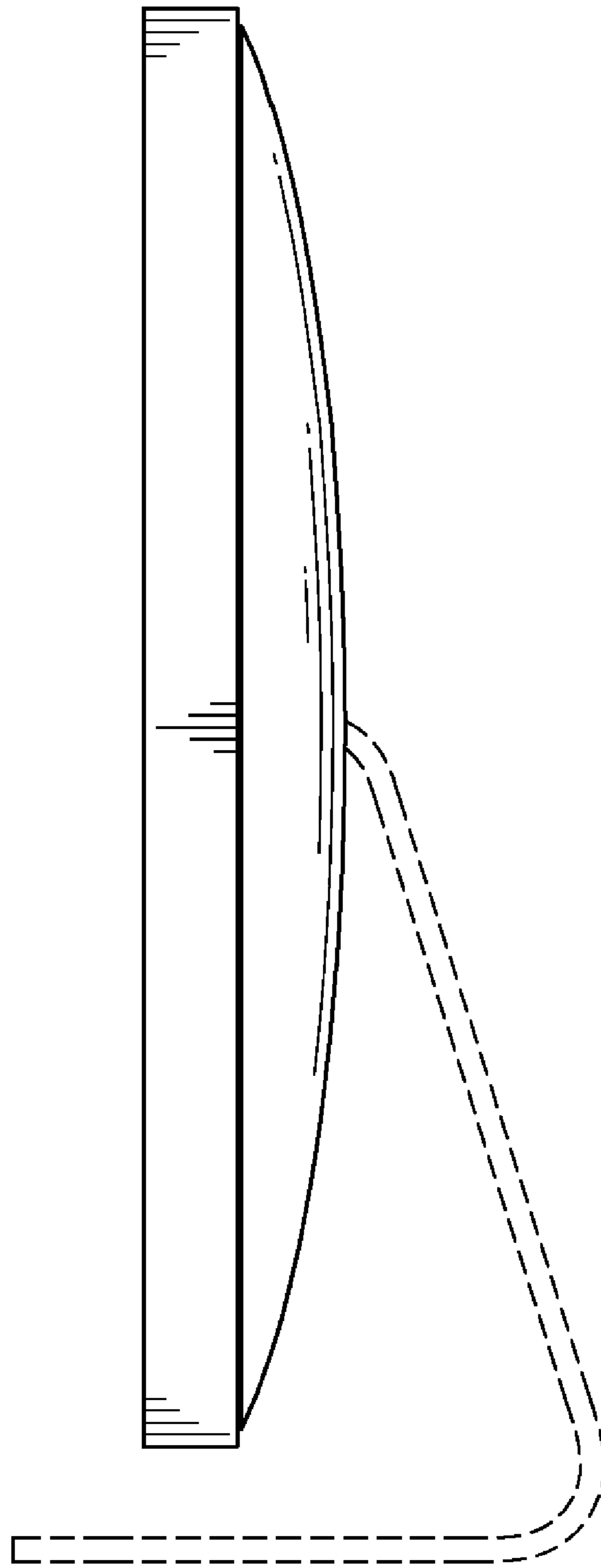


FIG. 5

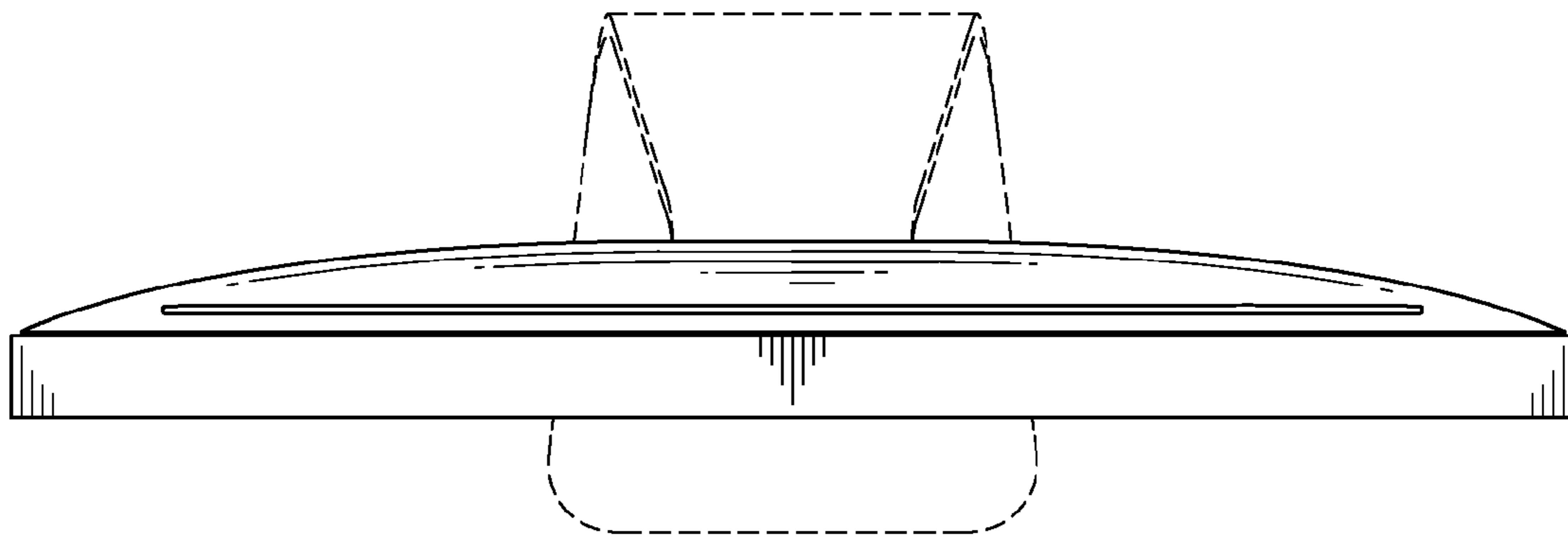


FIG. 6

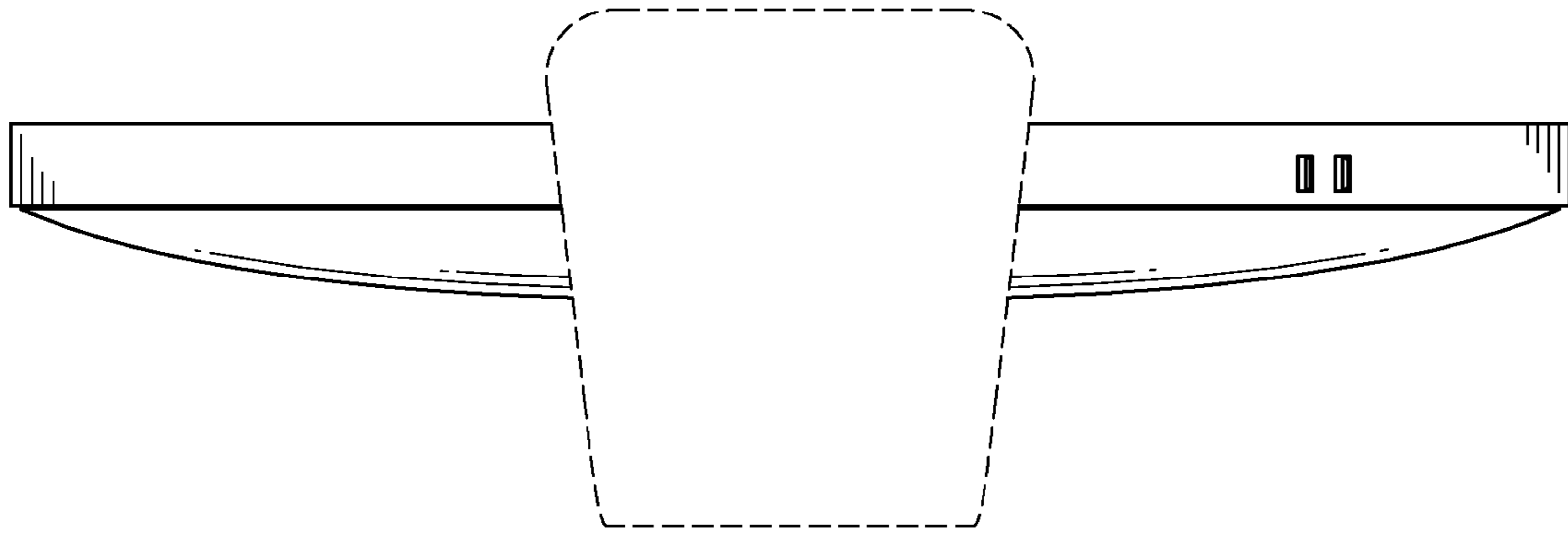


FIG. 7