



US00D597975S

(12) **United States Design Patent**
Ohno

(10) **Patent No.:** **US D597,975 S**

(45) **Date of Patent:** **** Aug. 11, 2009**

(54) **TELEVISION RECEIVER**

(75) Inventor: **Shigeki Ohno**, Tokyo (JP)

(73) Assignee: **Sony Corporation**, Tokyo (JP)

(**) Term: **14 Years**

(21) Appl. No.: **29/309,140**

(22) Filed: **Jun. 26, 2008**

(30) **Foreign Application Priority Data**

Dec. 27, 2007 (JP) D2007-035829

(51) **LOC (9) Cl.** **14-03**

(52) **U.S. Cl.** **D14/126; D14/129**

(58) **Field of Classification Search** D14/125-134,
D14/239, 371, 136, 374-377, 440, 450, 448,
D14/336, 342; 312/7.2; 348/836, 838, 180,
348/184, 325, 739; 341/12; 248/917-924,
248/465; 345/104, 133, 156, 168, 87, 173;
720/605, 669, 600, 655; 369/99, 197; D21/329,
D21/515, 577, 622, 333, 433, 448, 452, 450,
D21/331; D6/477, 479, 300; 273/148 B;
446/484, 175, 356; D10/15, 26
See application file for complete search history.

(56) **References Cited**

U.S. PATENT DOCUMENTS

4,329,800 A * 5/1982 Shuman 40/606.14
D346,286 S * 4/1994 Caponigro et al. D6/419
D373,584 S * 9/1996 Anand D14/371

D455,131 S * 4/2002 Reynaga et al. D14/126
D460,055 S * 7/2002 Rosen D14/126
D488,139 S * 4/2004 Takami et al. D14/126
D515,523 S * 2/2006 Asanuma et al. D14/129
D564,990 S * 3/2008 Ueno D14/126
D569,815 S 5/2008 Otani
D578,087 S * 10/2008 Yokota D14/126
D580,383 S * 11/2008 Kuramashi D14/126
2003/0058372 A1 * 3/2003 Williams et al. 348/836

* cited by examiner

Primary Examiner—Raphael Barkai

(74) *Attorney, Agent, or Firm*—Rader, Fishman & Grauer, PLLC

(57) **CLAIM**

The ornamental design for a television receiver, as shown.

DESCRIPTION

FIG. 1 is a front perspective view of a television receiver showing my new design;

FIG. 2 is a front elevational view thereof;

FIG. 3 is a rear elevational view thereof;

FIG. 4 is a left side elevational view thereof;

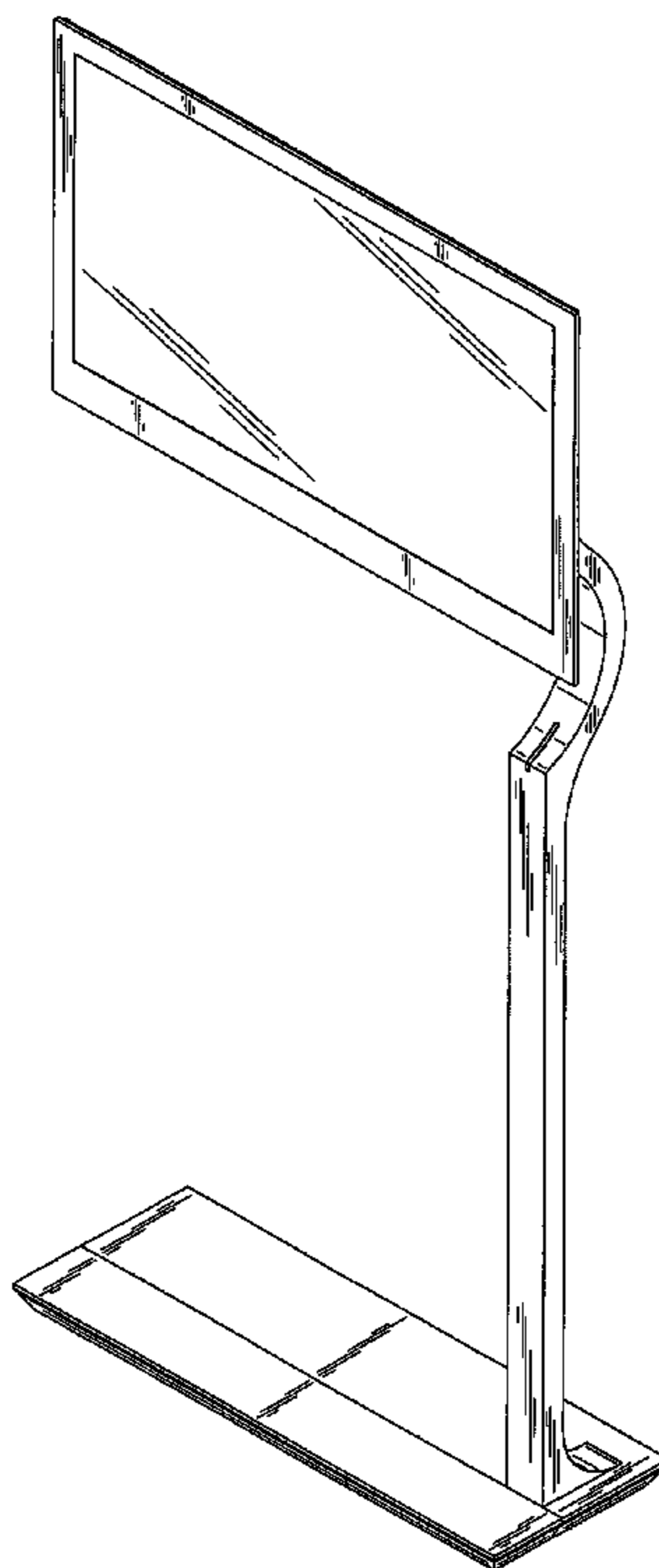
FIG. 5 is a right side elevational view thereof;

FIG. 6 is a top plan view thereof;

FIG. 7 is a bottom plan view thereof; and,

FIG. 8 is a rear perspective view thereof.

1 Claim, 8 Drawing Sheets



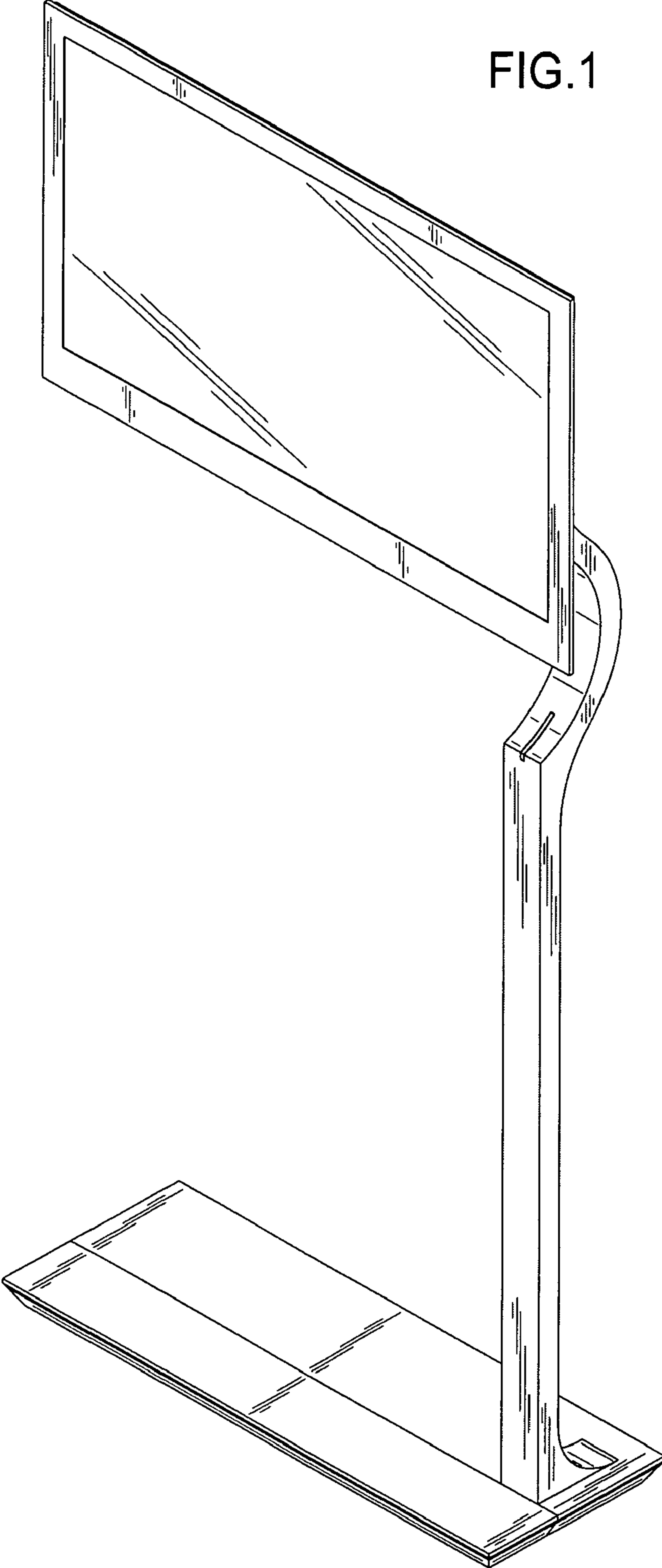


FIG.1

FIG.2

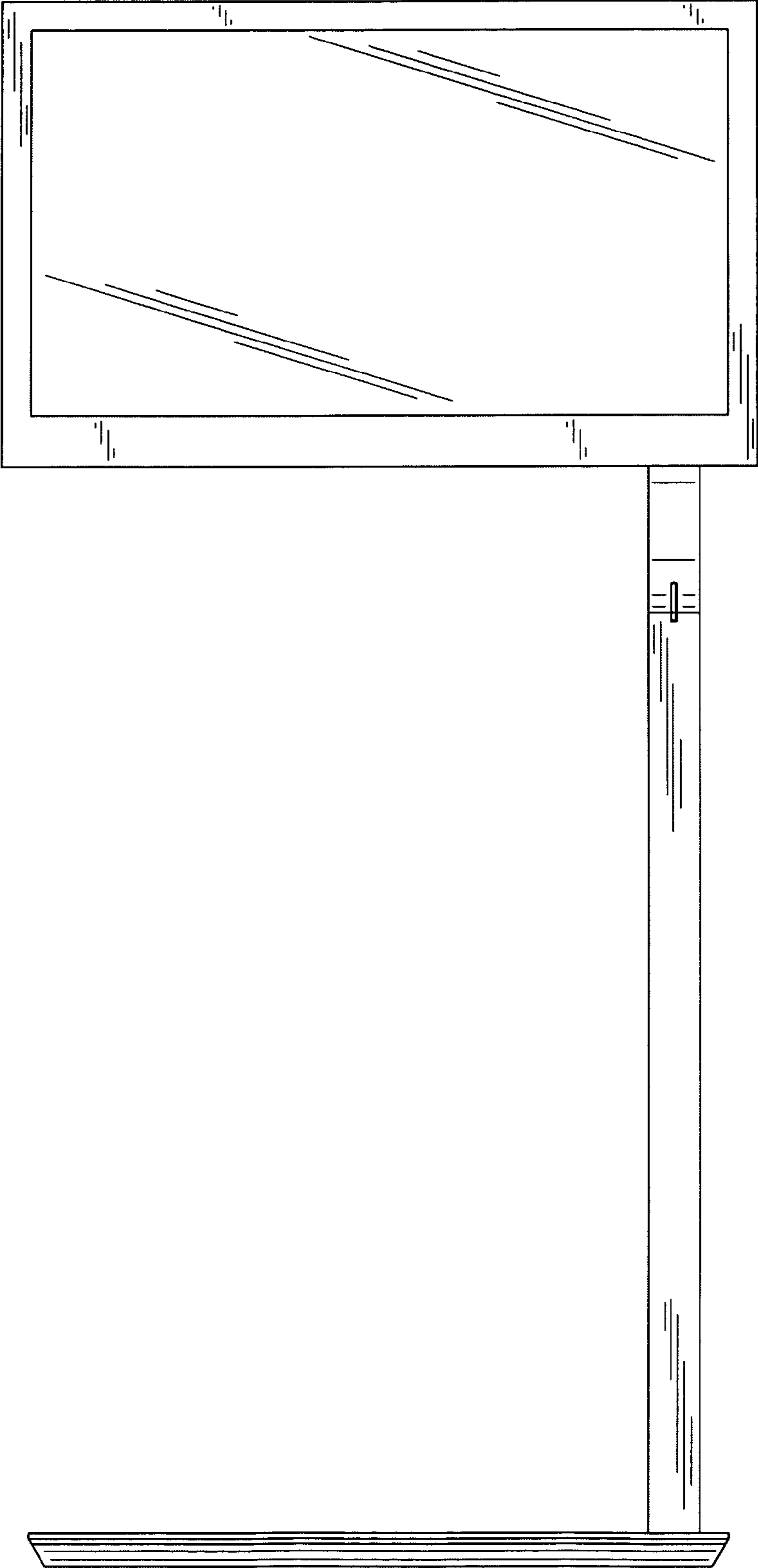


FIG.3

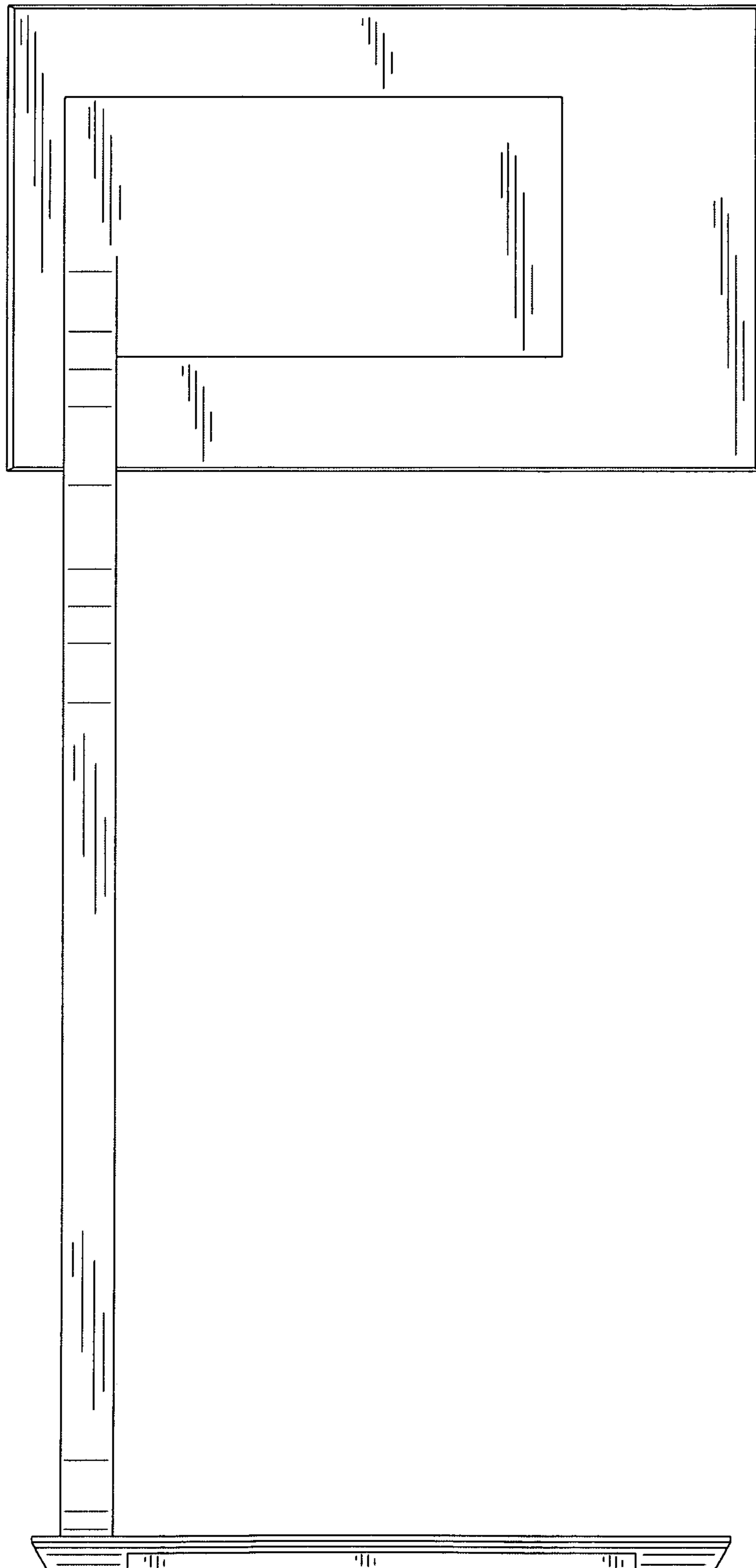


FIG.4

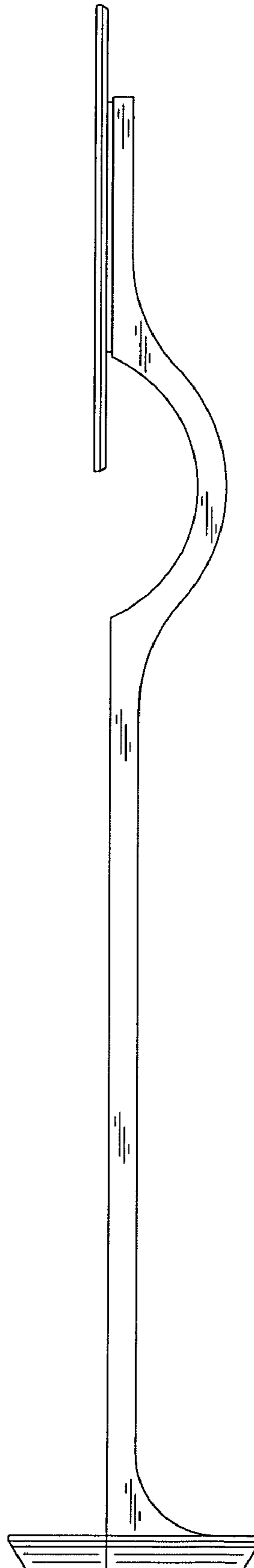


FIG.5

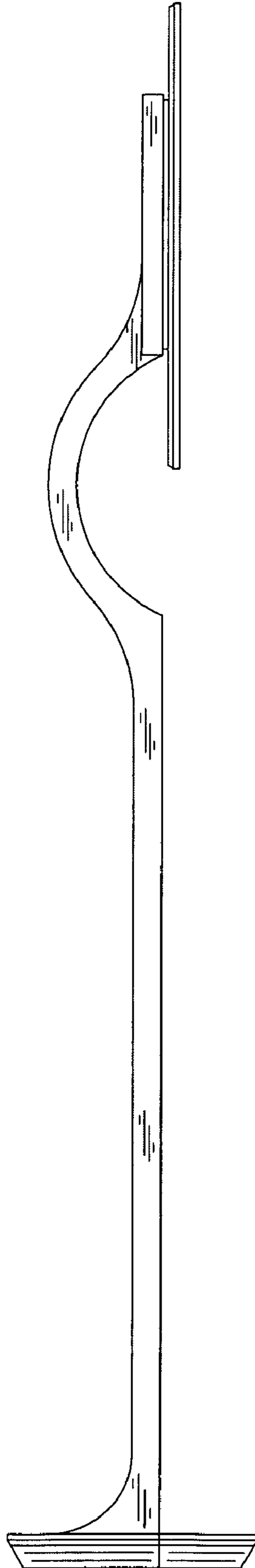


FIG.6

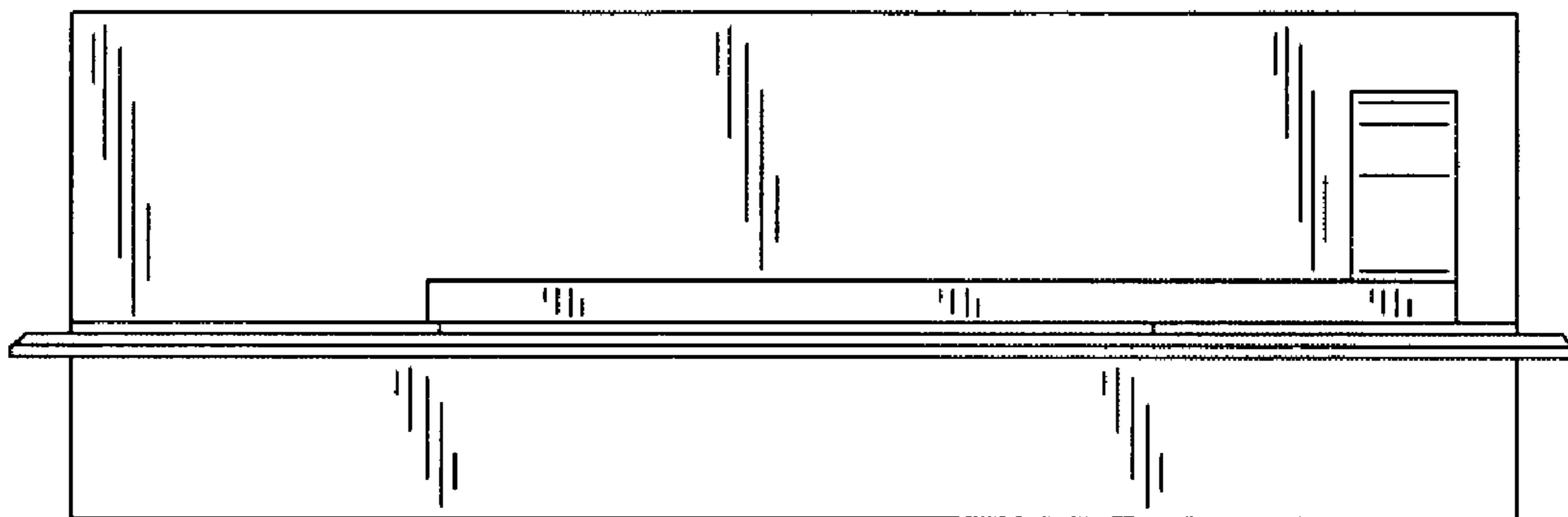
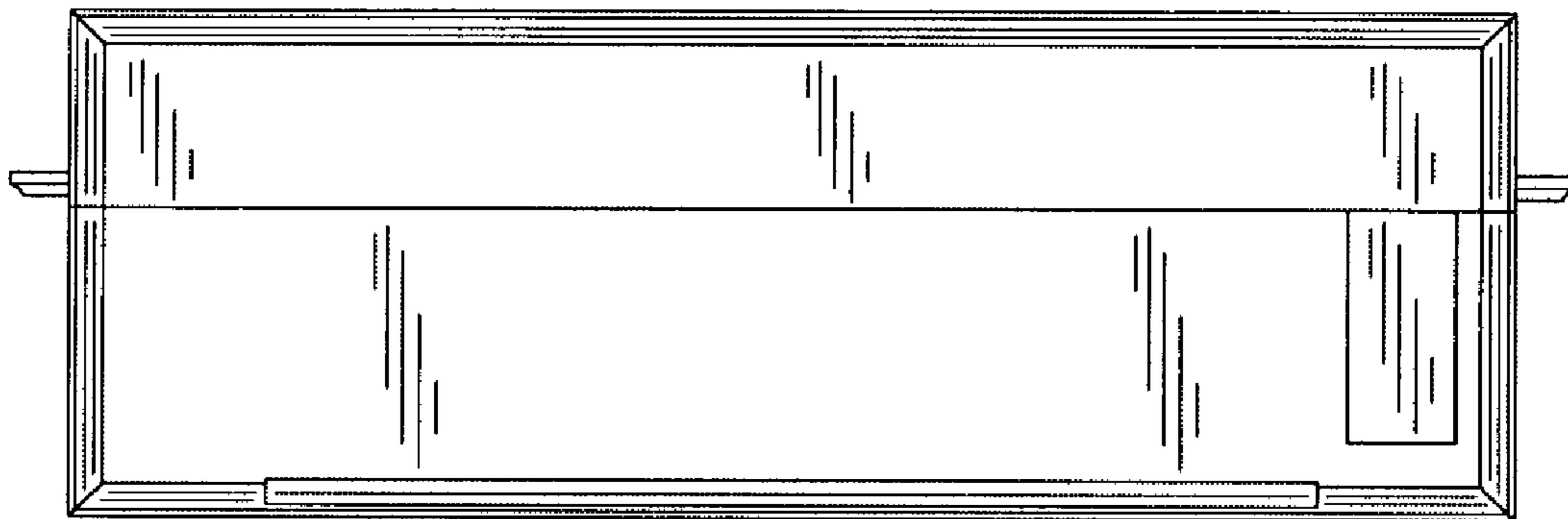


FIG.7



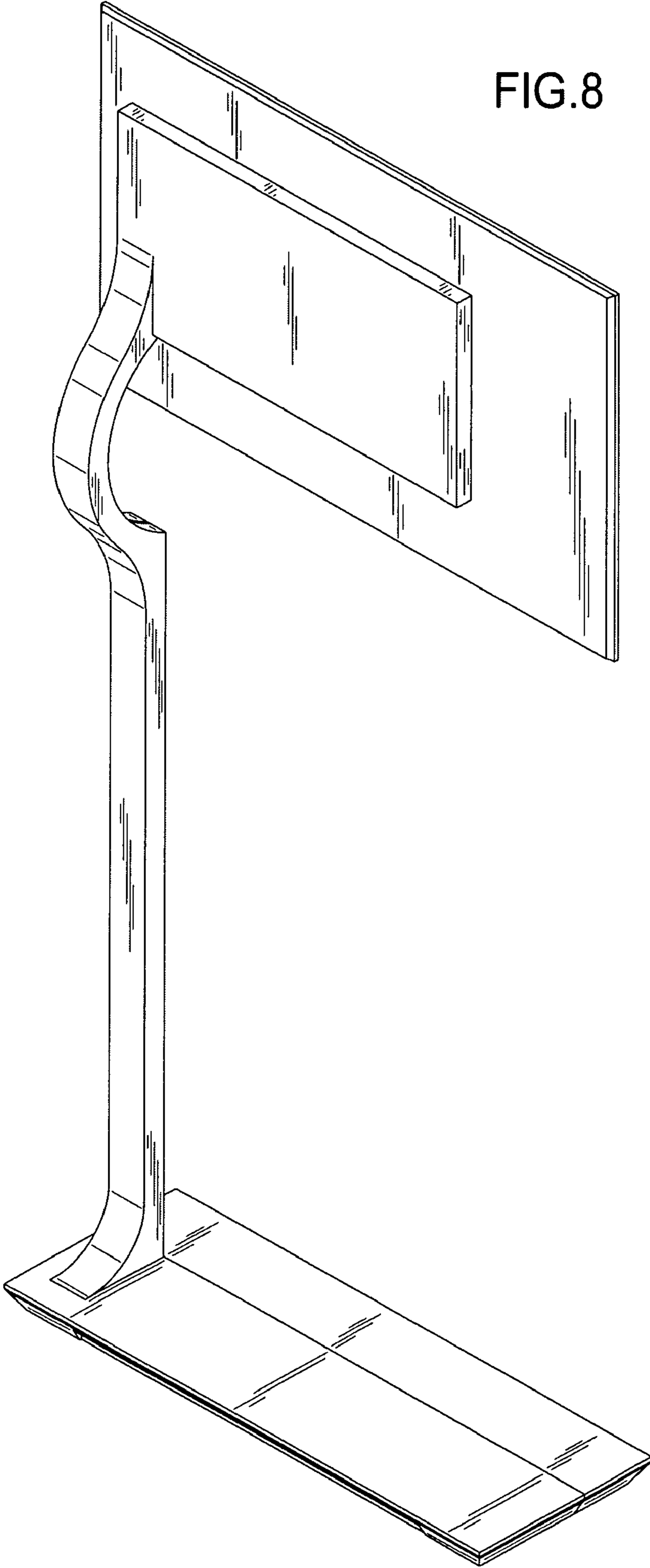


FIG. 8