



US00D597974S

(12) **United States Design Patent**
Iseki

(10) **Patent No.:** **US D597,974 S**

(45) **Date of Patent:** **** Aug. 11, 2009**

(54) **IMAGE VIEWER**

(75) Inventor: **Daisuke Iseki**, Tokyo (JP)

(73) Assignee: **Sony Corporation**, Tokyo (JP)

(**) Term: **14 Years**

(21) Appl. No.: **29/309,121**

(22) Filed: **Jun. 25, 2008**

(30) **Foreign Application Priority Data**

Dec. 26, 2007 (JP) D2007-035519

(51) **LOC (9) Cl.** **14-03**

(52) **U.S. Cl.** **D14/126**

(58) **Field of Classification Search** D14/125-134,
D14/239, 371, 136, 374-377, 440, 450, 448,
D14/336, 342; 312/7.2; 348/836, 838, 180,
348/184, 325, 739; 341/12; 248/917-924,
248/465; 345/104, 133, 156, 168, 87, 173;
720/605, 669, 600, 655; 369/99, 197; 455/344,
455/347; D21/329, 515, 577, 622, 333, 433,
D21/448, 452, 450, 331; D6/477, 479, 300;
273/148 B; 446/484, 175, 356; D10/15,
D10/26

See application file for complete search history.

(56) **References Cited**

U.S. PATENT DOCUMENTS

D510,918 S * 10/2005 Kubota et al. D14/126

D531,417 S * 11/2006 Saenz et al. D6/308
D545,777 S * 7/2007 Kim D14/126
D560,625 S 1/2008 Niitsu
D571,745 S 6/2008 Fujiki
D584,281 S * 1/2009 Kim et al. D14/188
D588,082 S * 3/2009 Arai D14/126
D588,562 S * 3/2009 Yamaguchi D14/126

* cited by examiner

Primary Examiner—Raphael Barkai

(74) *Attorney, Agent, or Firm*—Rader, Fishman & Grauer, PLLC

(57) **CLAIM**

The ornamental design for an image viewer, as shown.

DESCRIPTION

FIG. 1 is a perspective view of an image viewer showing my new design;

FIG. 2 is a front elevational view thereof;

FIG. 3 is a rear elevational view thereof;

FIG. 4 is a left side elevational view thereof;

FIG. 5 is a right side elevational view thereof;

FIG. 6 is a top plan view thereof; and,

FIG. 7 is a bottom plan view thereof.

1 Claim, 7 Drawing Sheets

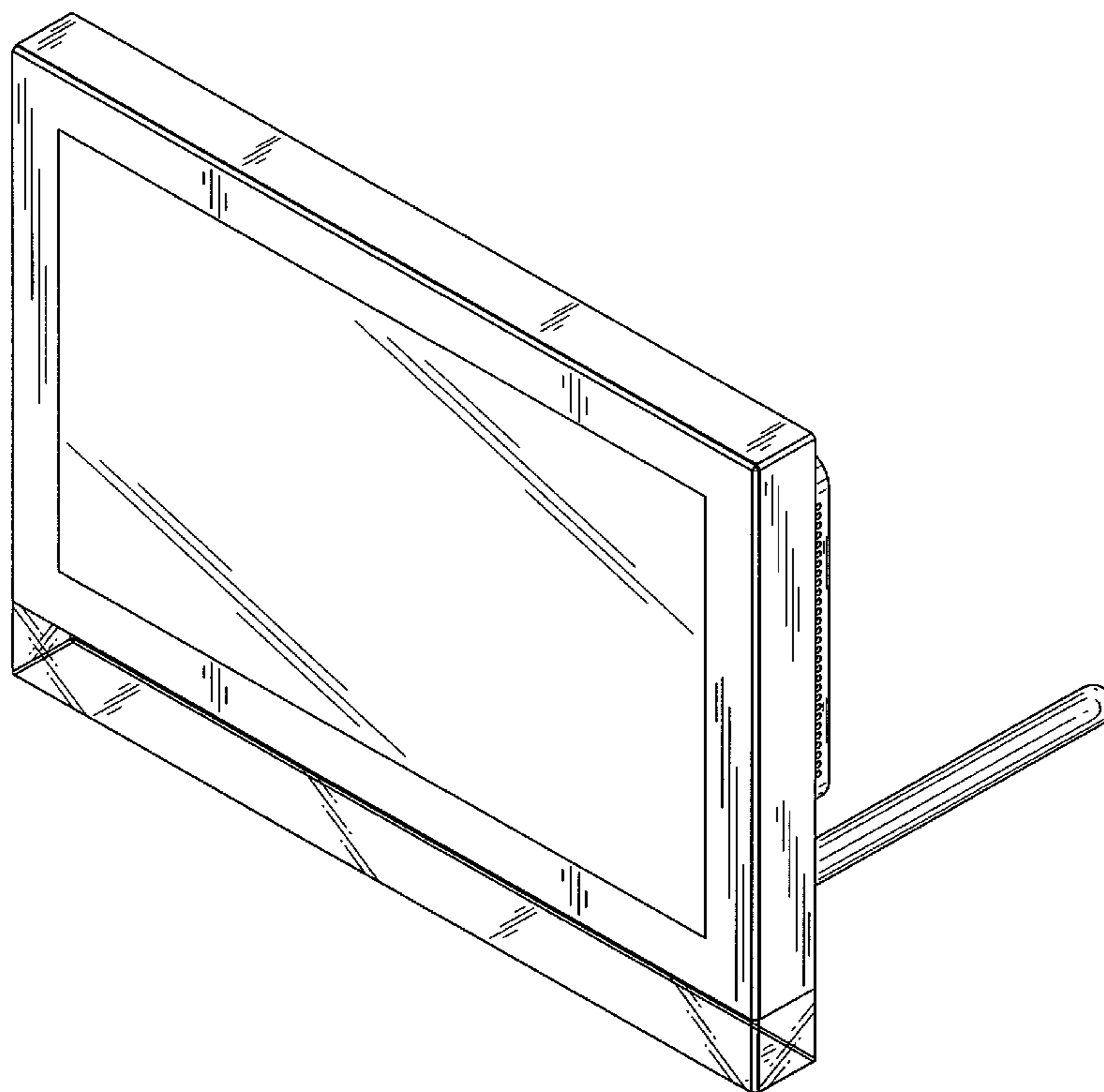
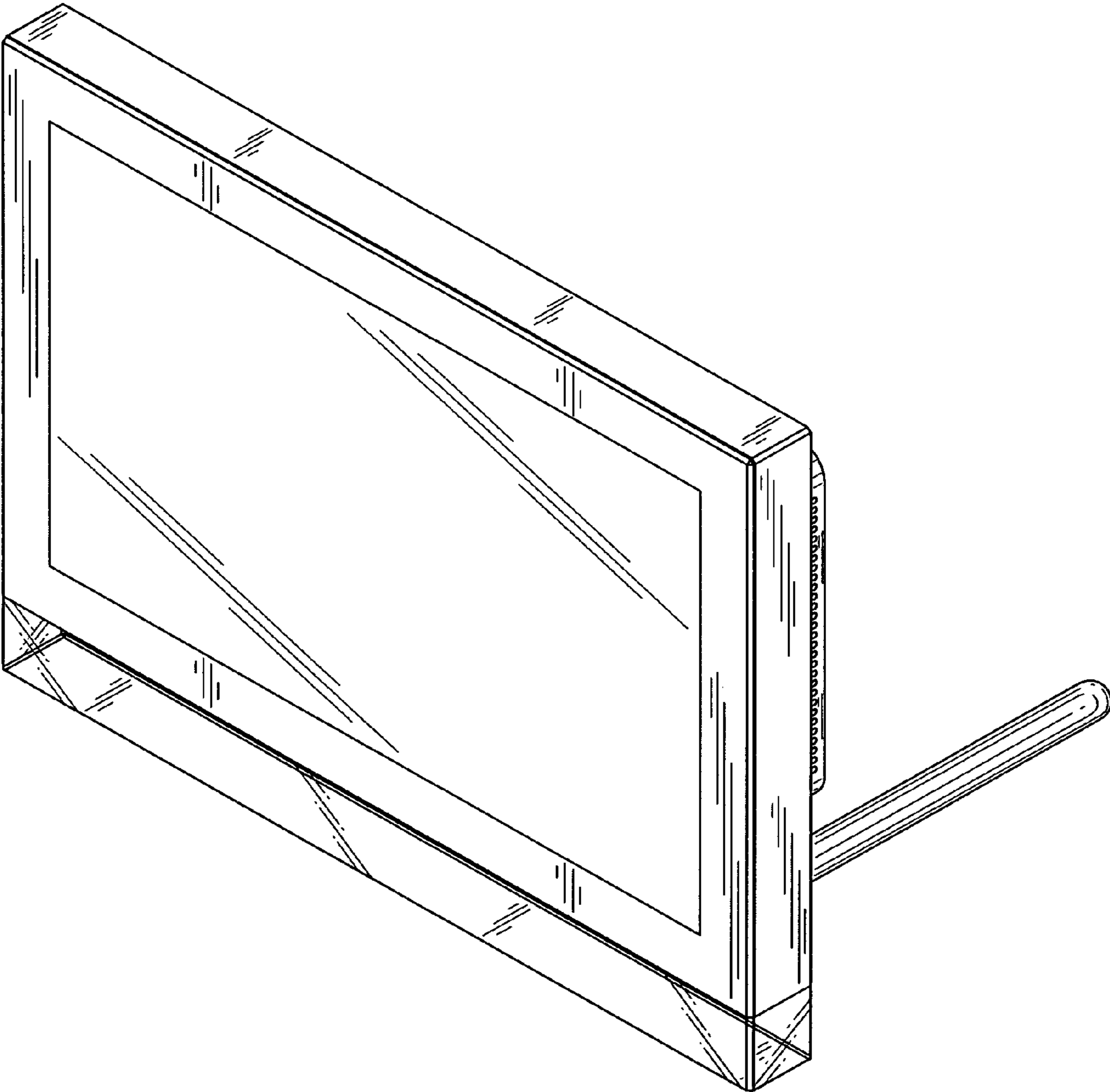


FIG. 1



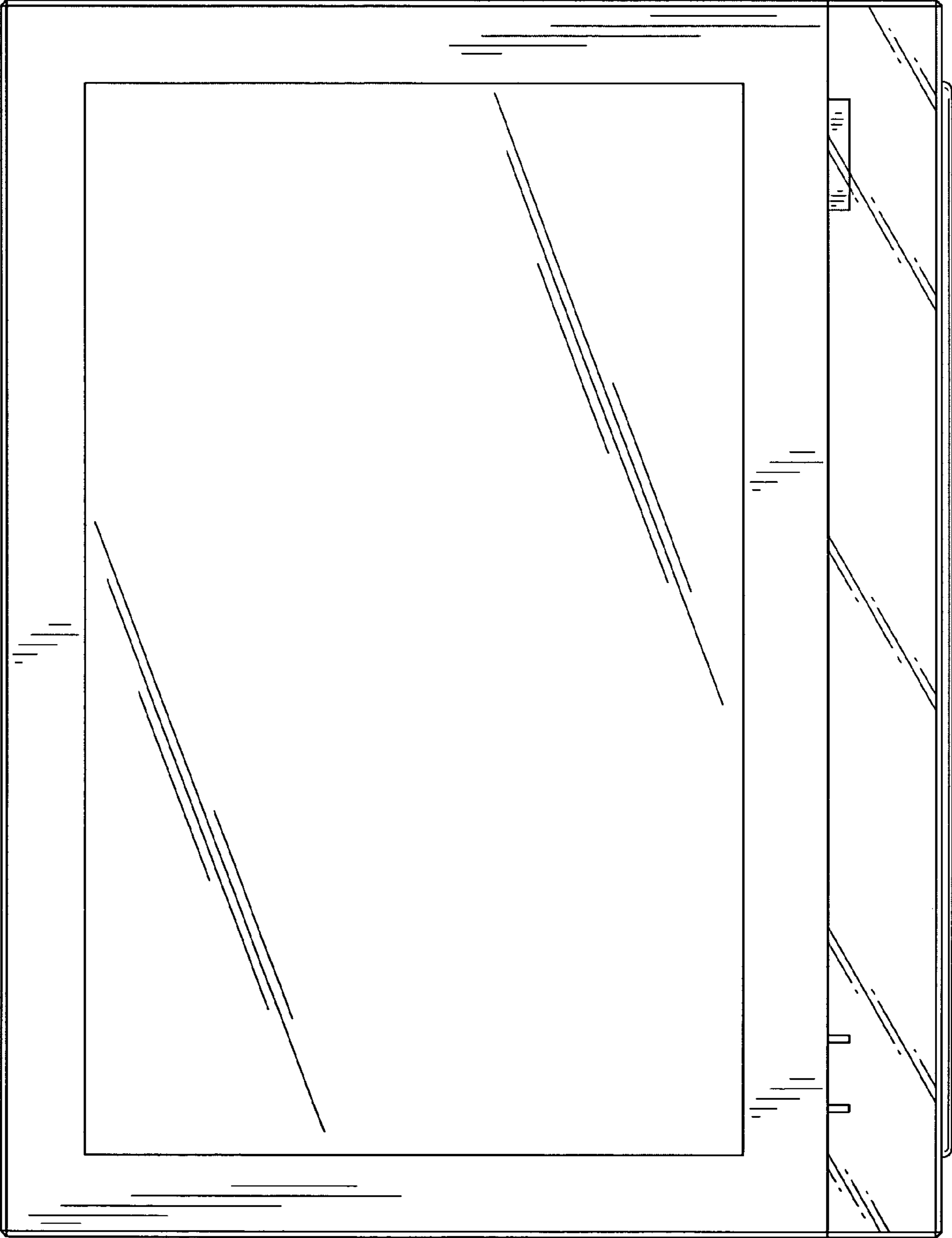


FIG.2

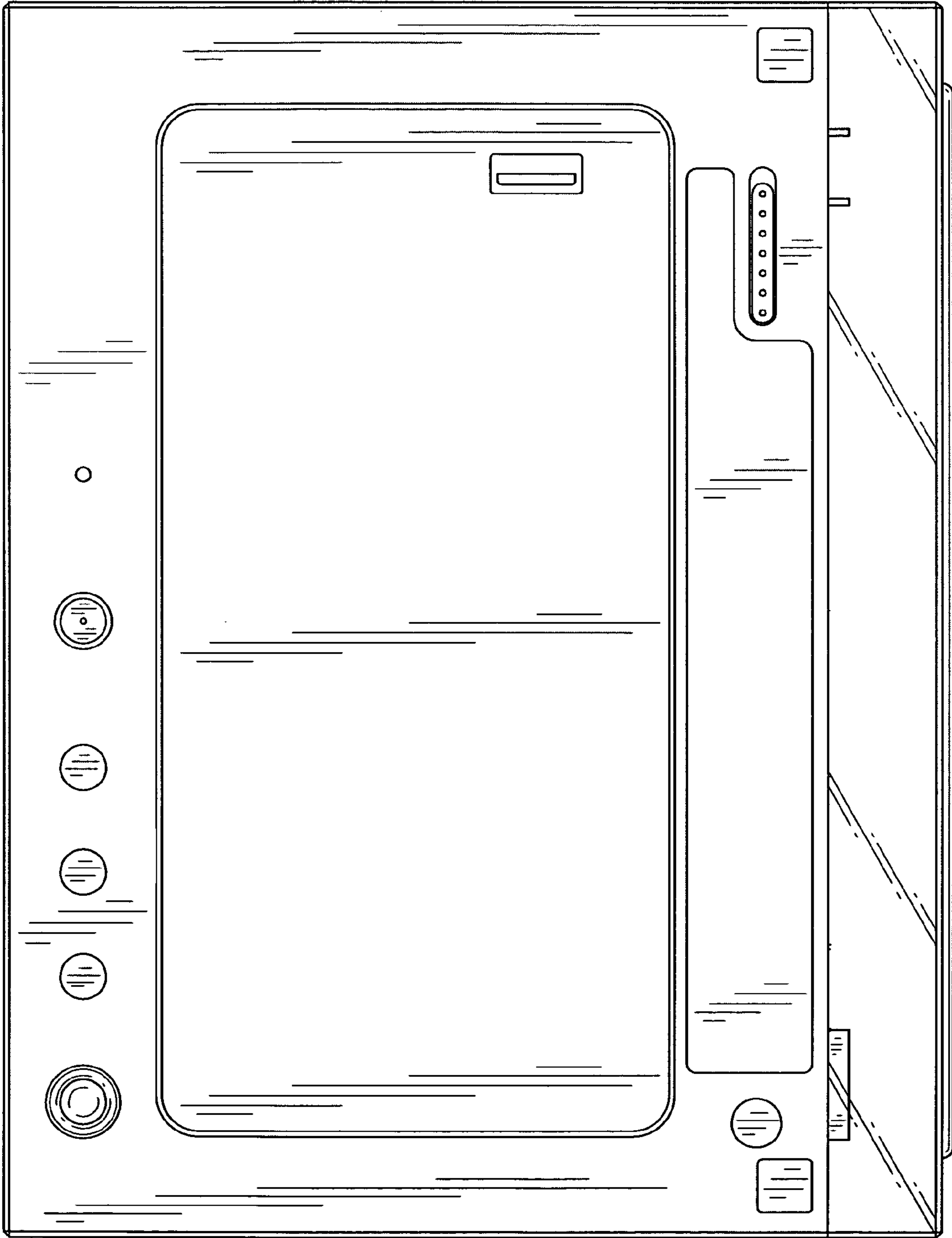


FIG.3

FIG.4

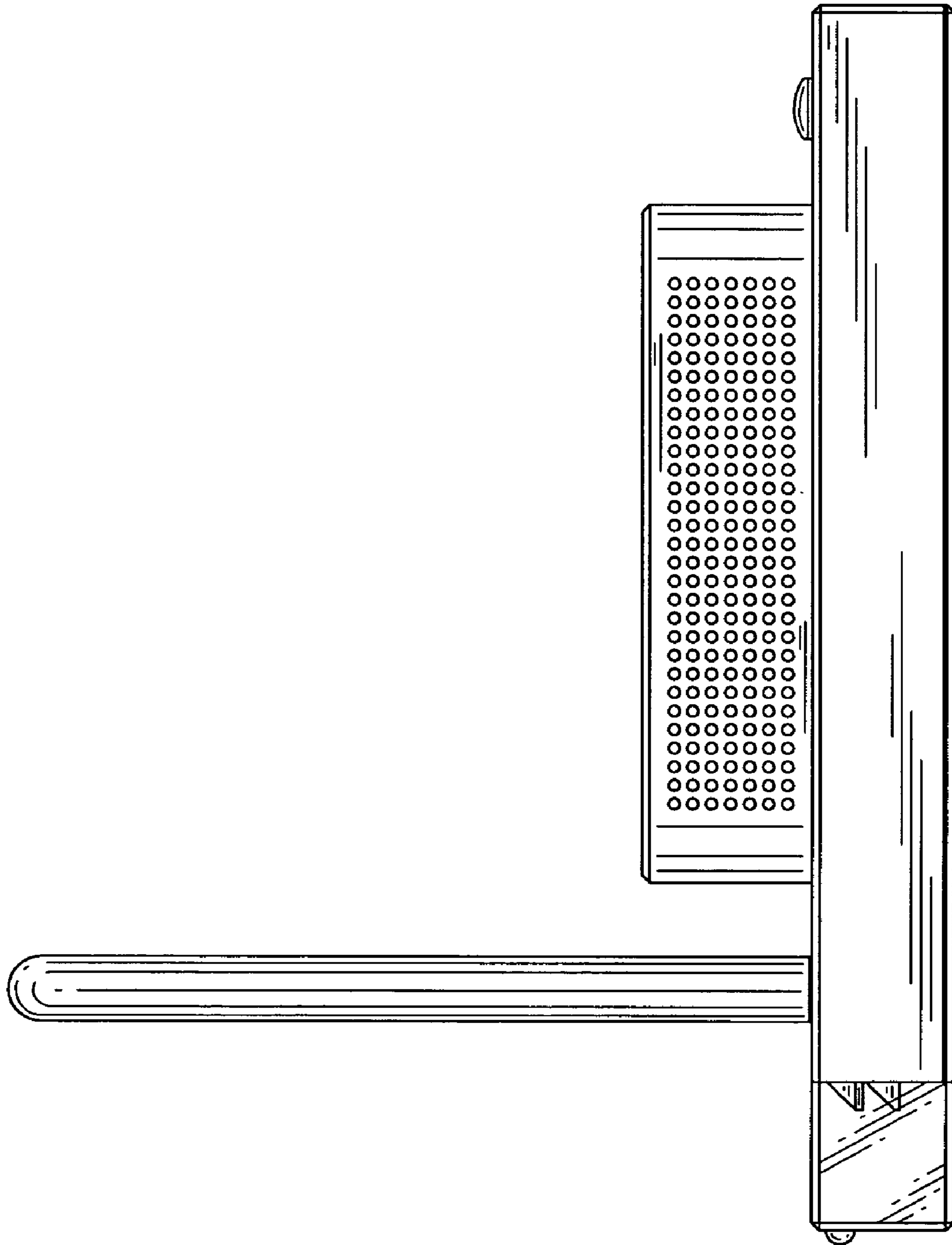


FIG.5

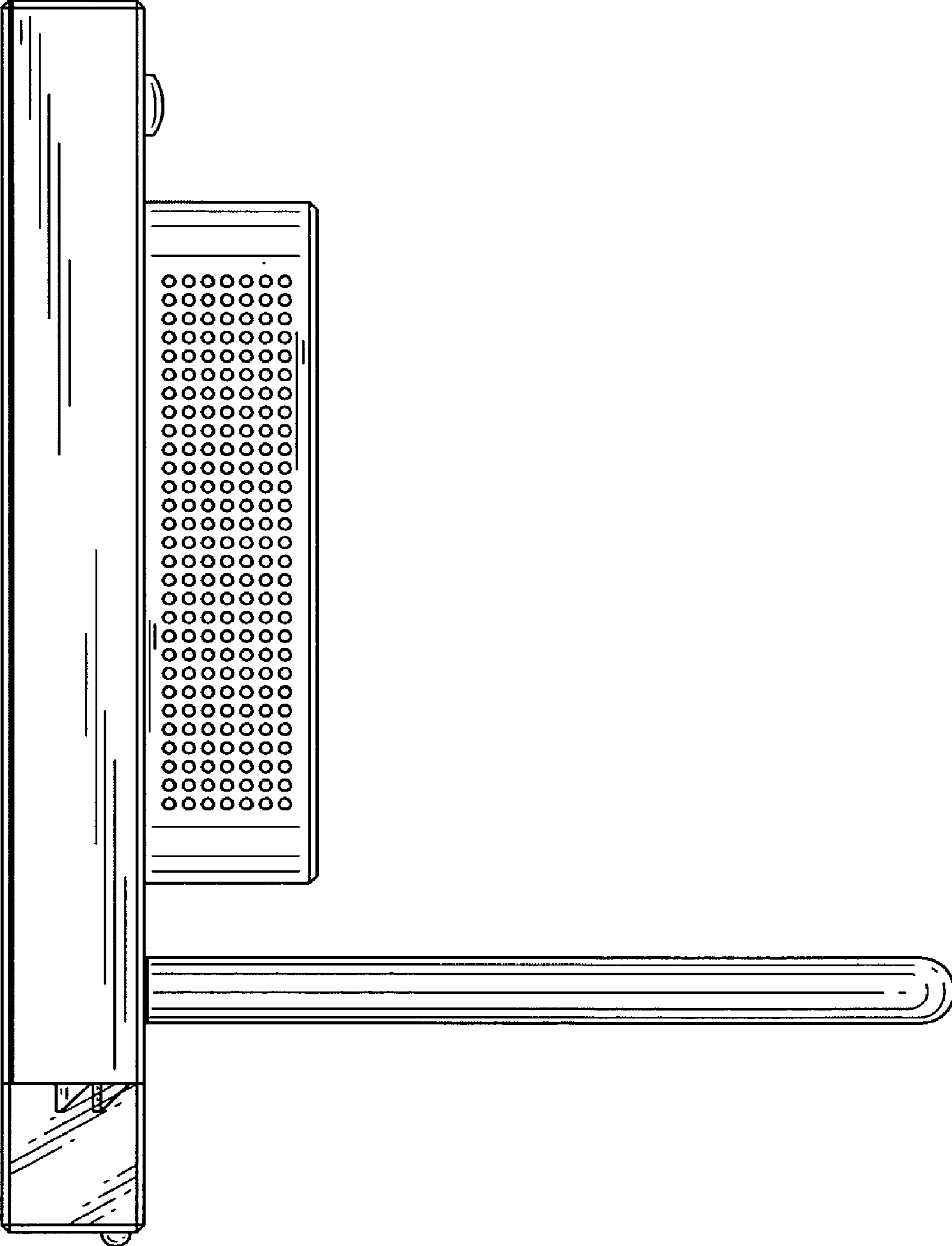


FIG.6

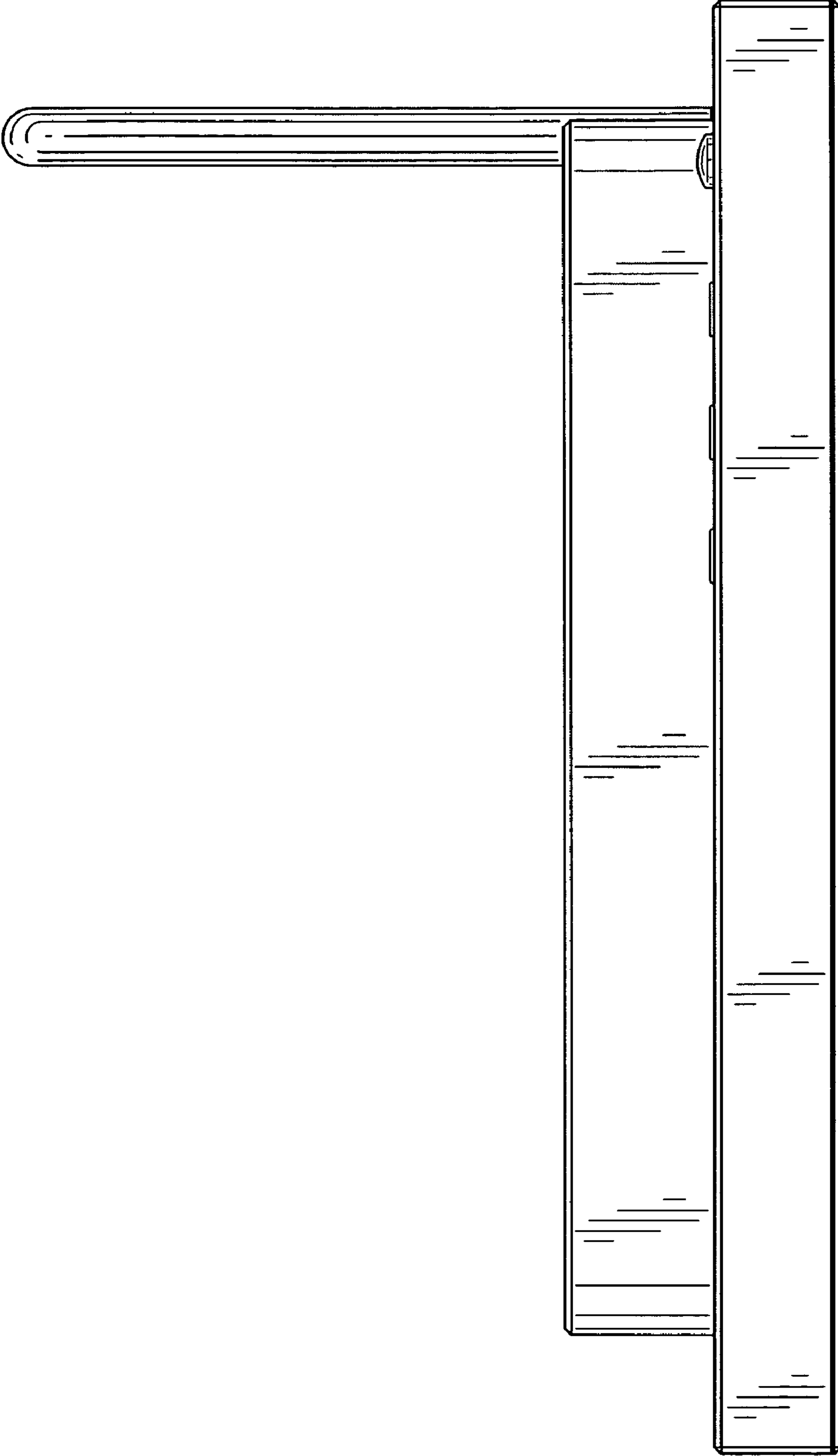


FIG.7

