



US00D597972S

(12) **United States Design Patent**
Kobayakawa

(10) **Patent No.:** **US D597,972 S**

(45) **Date of Patent:** **** Aug. 11, 2009**

(54) **LIGHT EMITTING DIODE MODULE**

(75) Inventor: **Masahiko Kobayakawa**, Kyoto (JP)

(73) Assignee: **Rohm Co., Ltd.**, Kyoto (JP)

(**) Term: **14 Years**

(21) Appl. No.: **29/310,866**

(22) Filed: **Sep. 15, 2008**

(30) **Foreign Application Priority Data**

Apr. 3, 2008 (JP) 2008-008578

(51) **LOC (9) Cl.** **13-03**

(52) **U.S. Cl.** **D13/180**

(58) **Field of Classification Search** D13/180;
D26/2; 257/79, 80, 81, 88, 89, 95, 98, 99,
257/100; 313/483, 498, 500; 362/555, 800
See application file for complete search history.

(56) **References Cited**

U.S. PATENT DOCUMENTS

D453,745 S * 2/2002 Suenaga D13/180
D477,579 S * 7/2003 Suenaga D13/180
D490,782 S * 6/2004 Suenaga D13/180
D519,943 S * 5/2006 Kamada D13/180
D557,224 S * 12/2007 Kamada D13/180

D576,571 S * 9/2008 Itai D13/180
2007/0284708 A1 * 12/2007 Hanya 257/676

* cited by examiner

Primary Examiner—Selina Sikder

(74) *Attorney, Agent, or Firm*—Hamre, Schumann, Mueller & Larson, P.C.

(57) **CLAIM**

I claim the ornamental design for a light emitting diode module, as shown.

DESCRIPTION

FIG. 1 is a perspective view of a light emitting diode module according to my new design;

FIG. 2 is a front view of the same module;

FIG. 3 is a rear view of the same module;

FIG. 4 is a top plan view of the same module;

FIG. 5 is a bottom view of the same module;

FIG. 6 is a right side view of the same module;

FIG. 7 is a left side view of the same module; and,

FIG. 8 is a sectional view of the same module taken along lines 8—8 in FIG. 4.

1 Claim, 4 Drawing Sheets

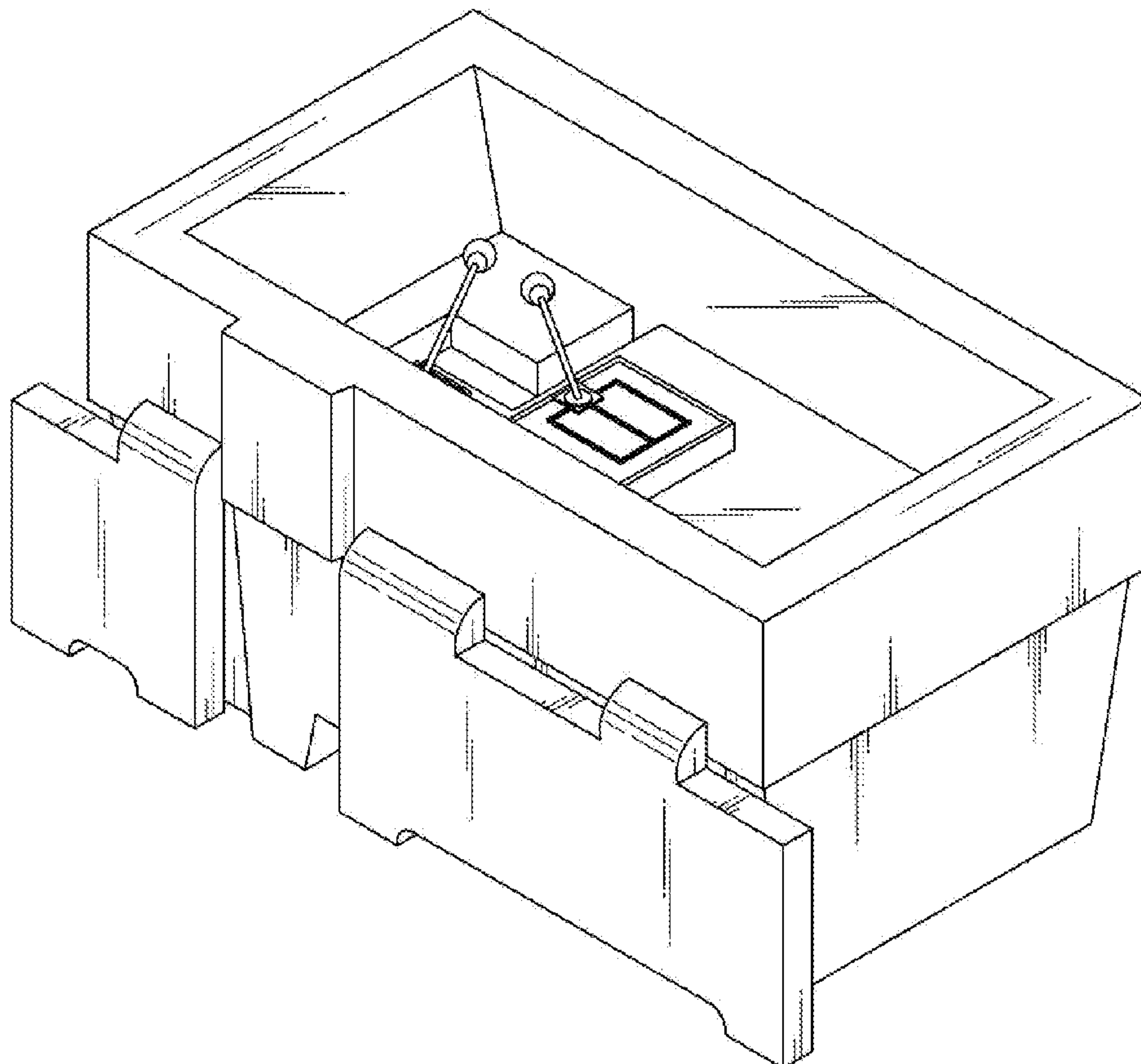


FIG.1

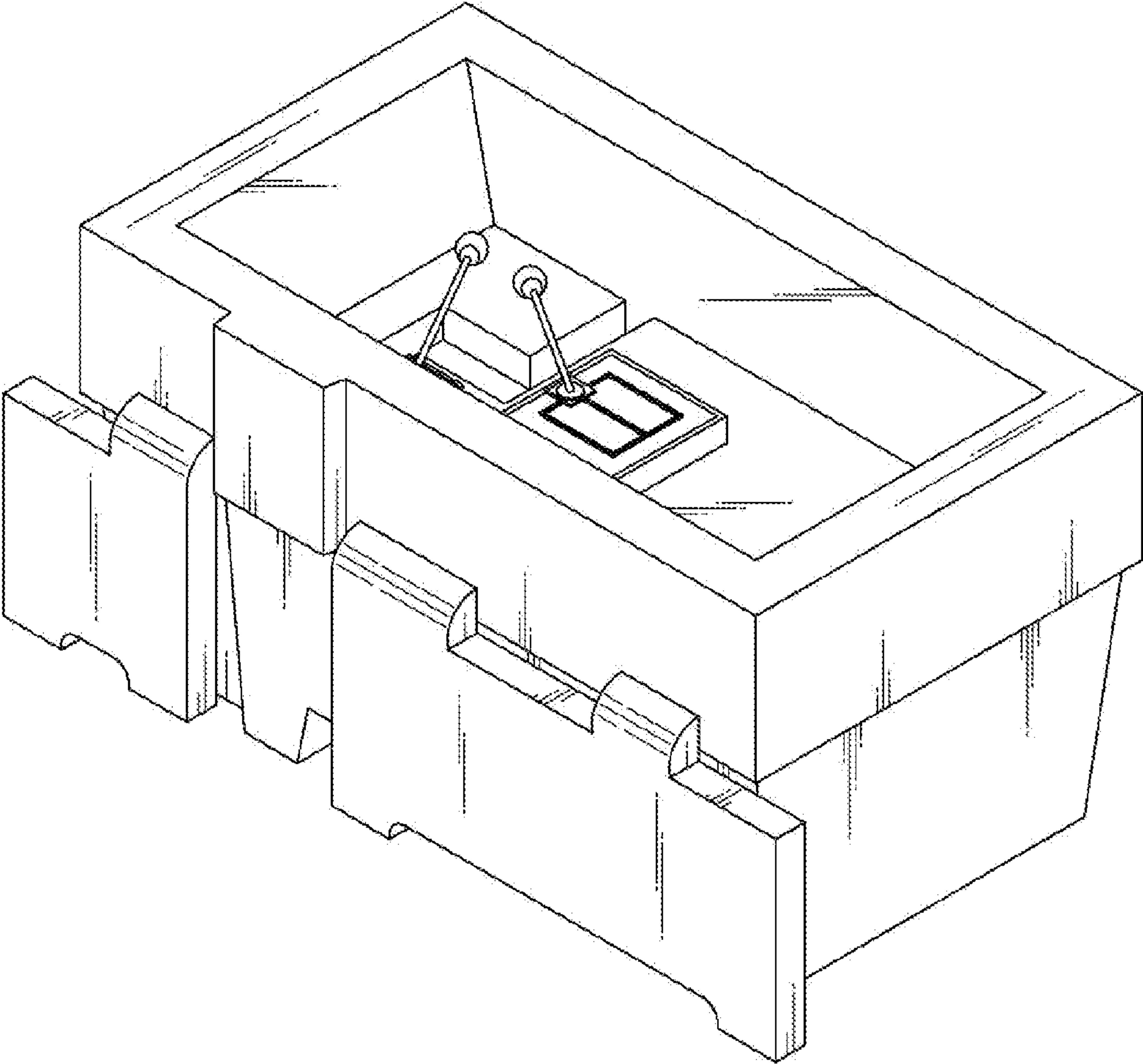


FIG.2

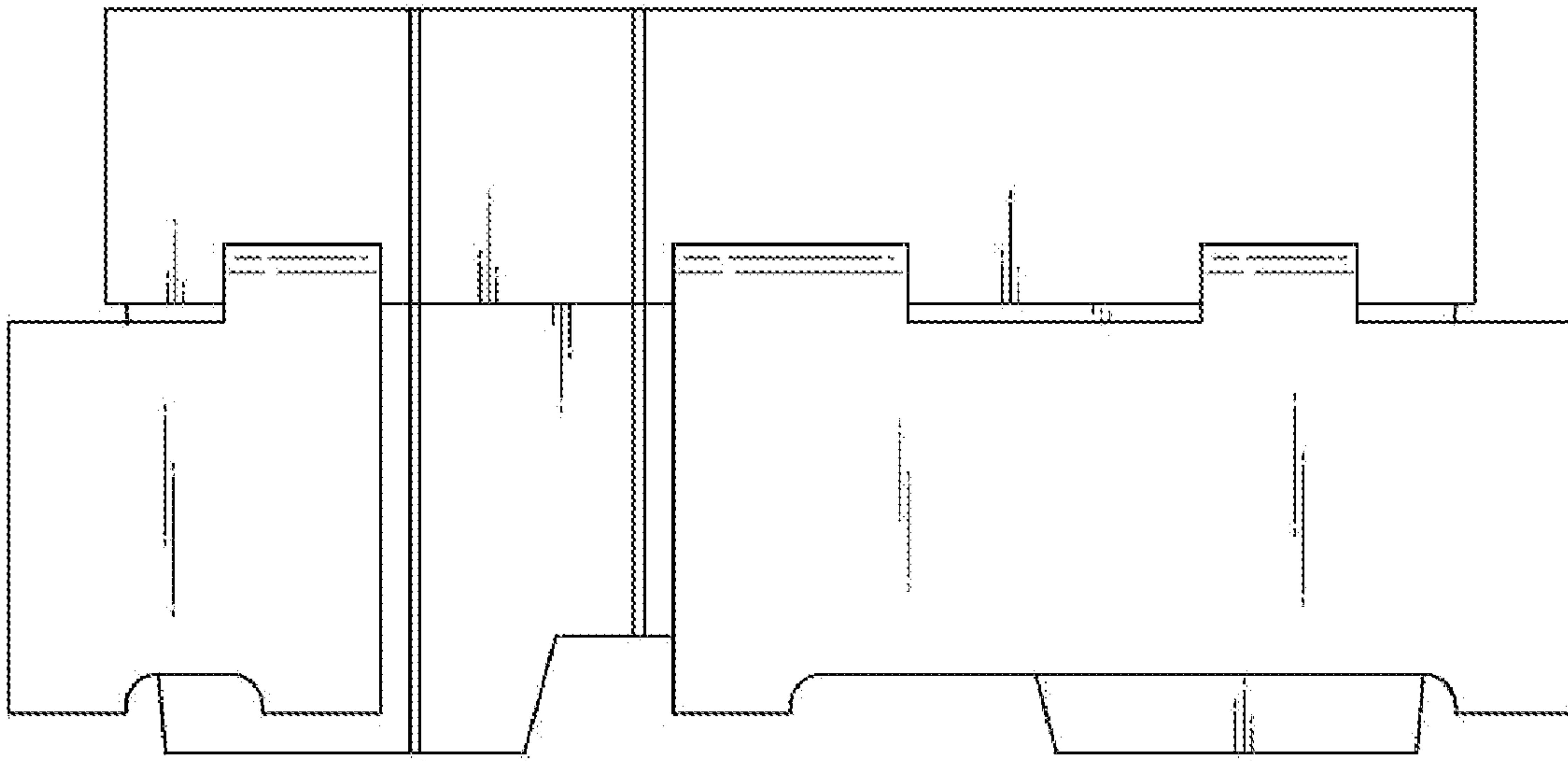


FIG.3

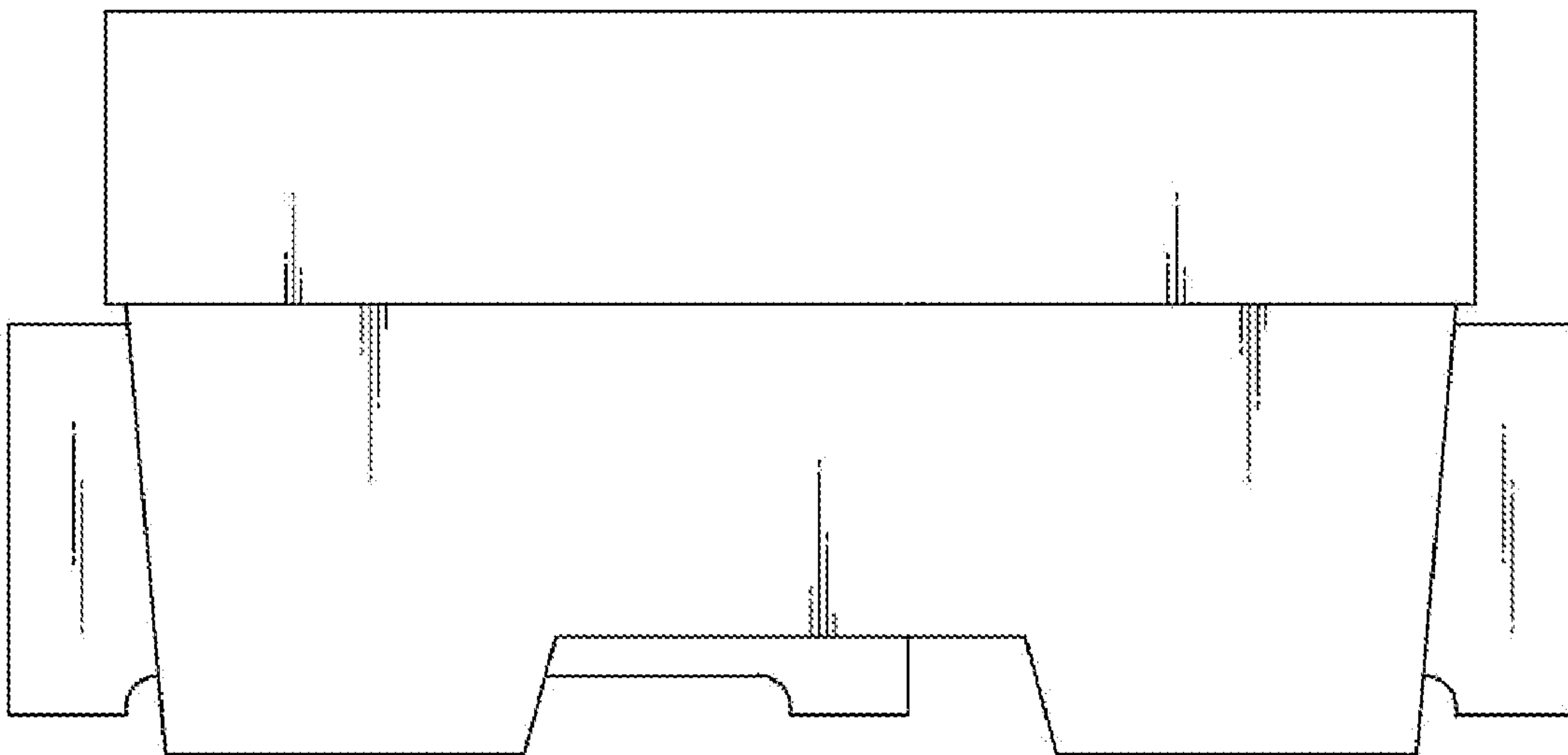


FIG.4

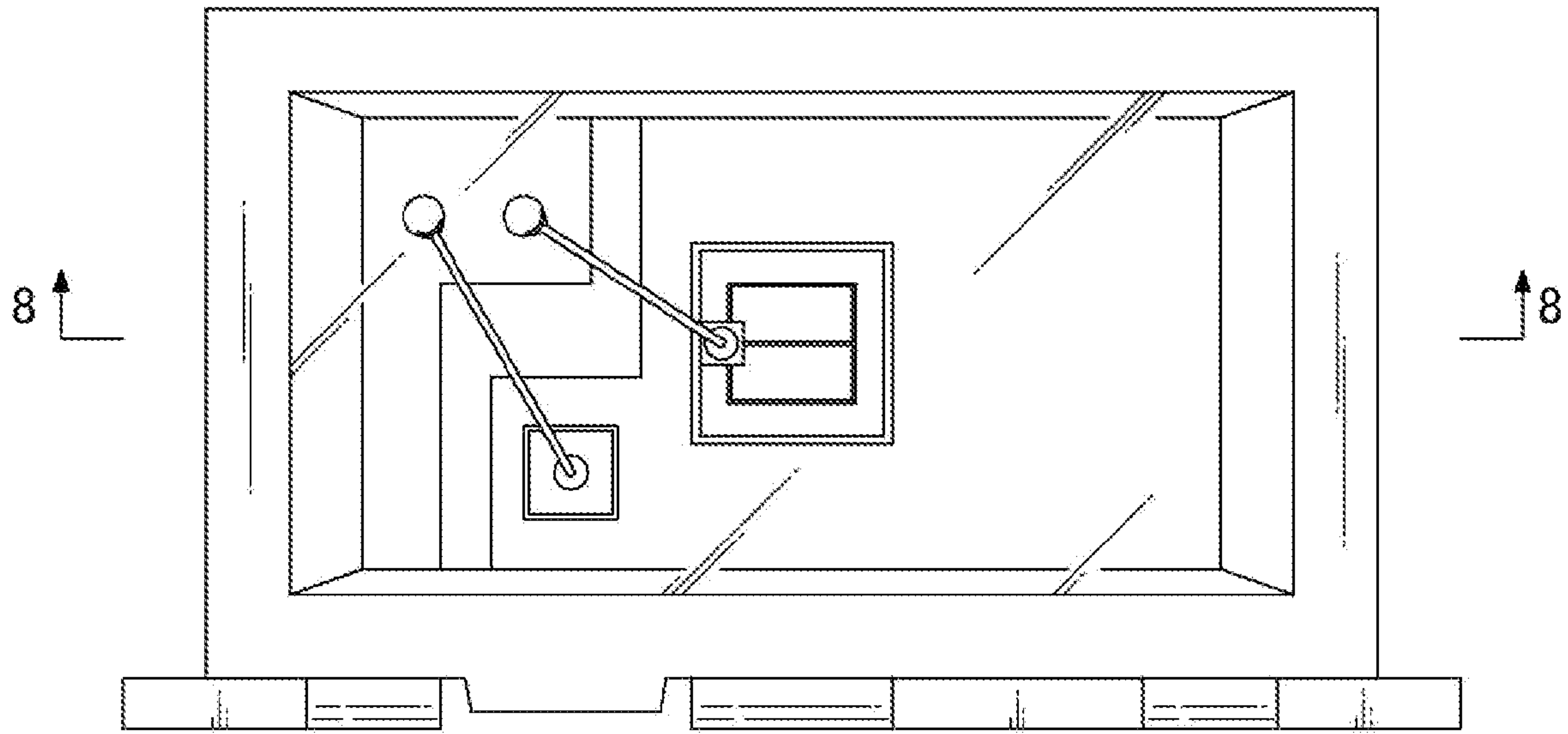


FIG.5

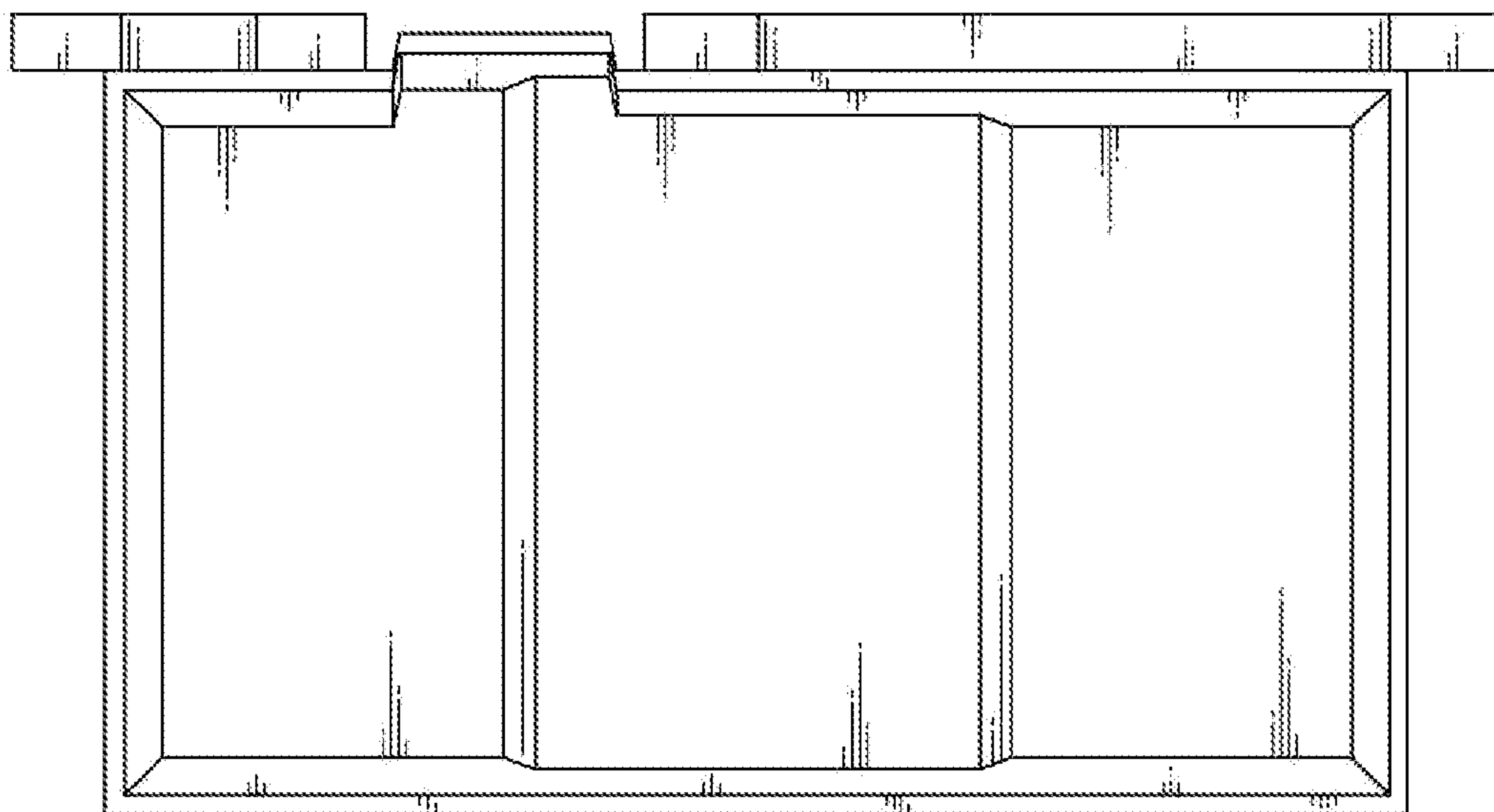


FIG.6

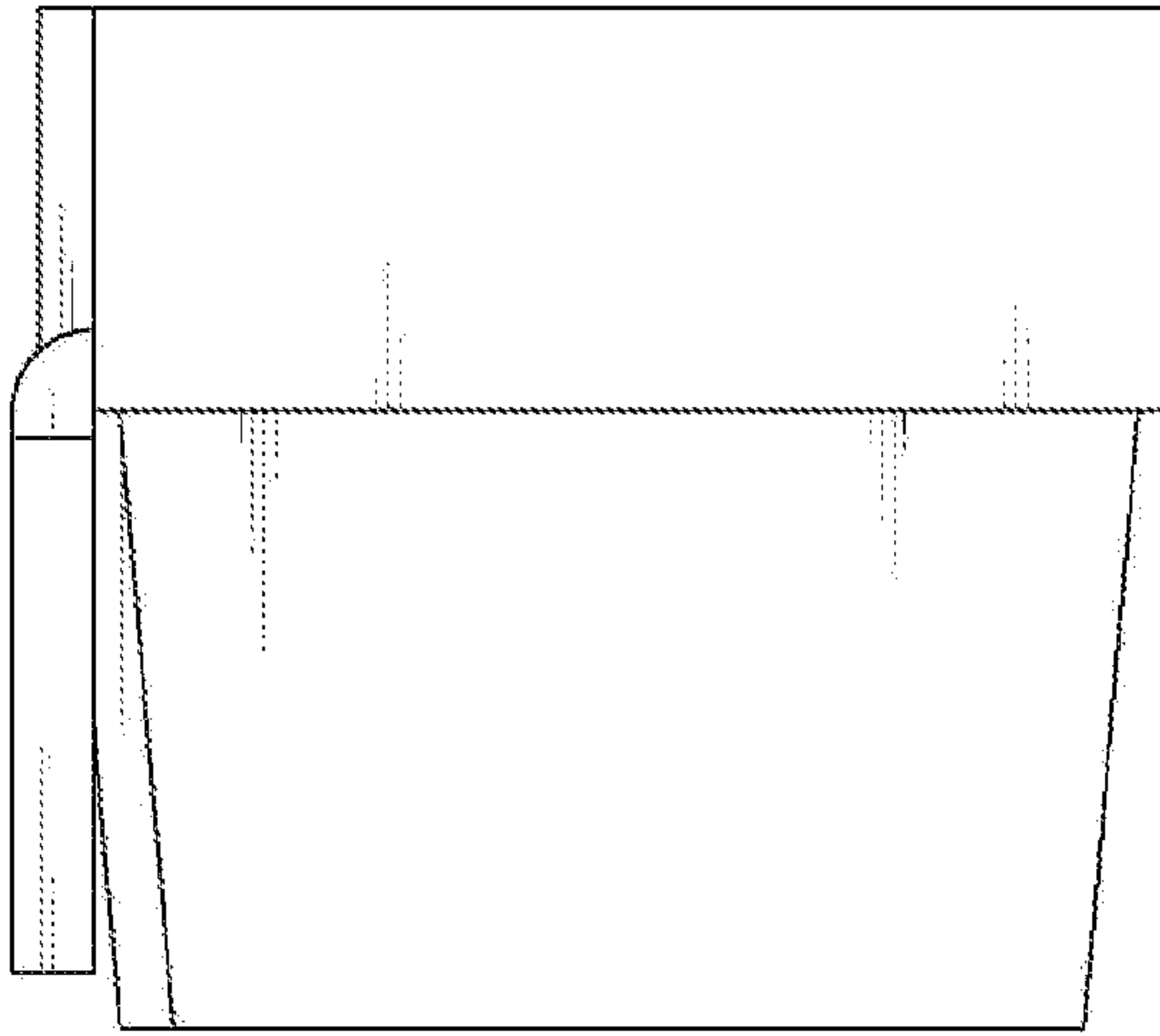


FIG.7

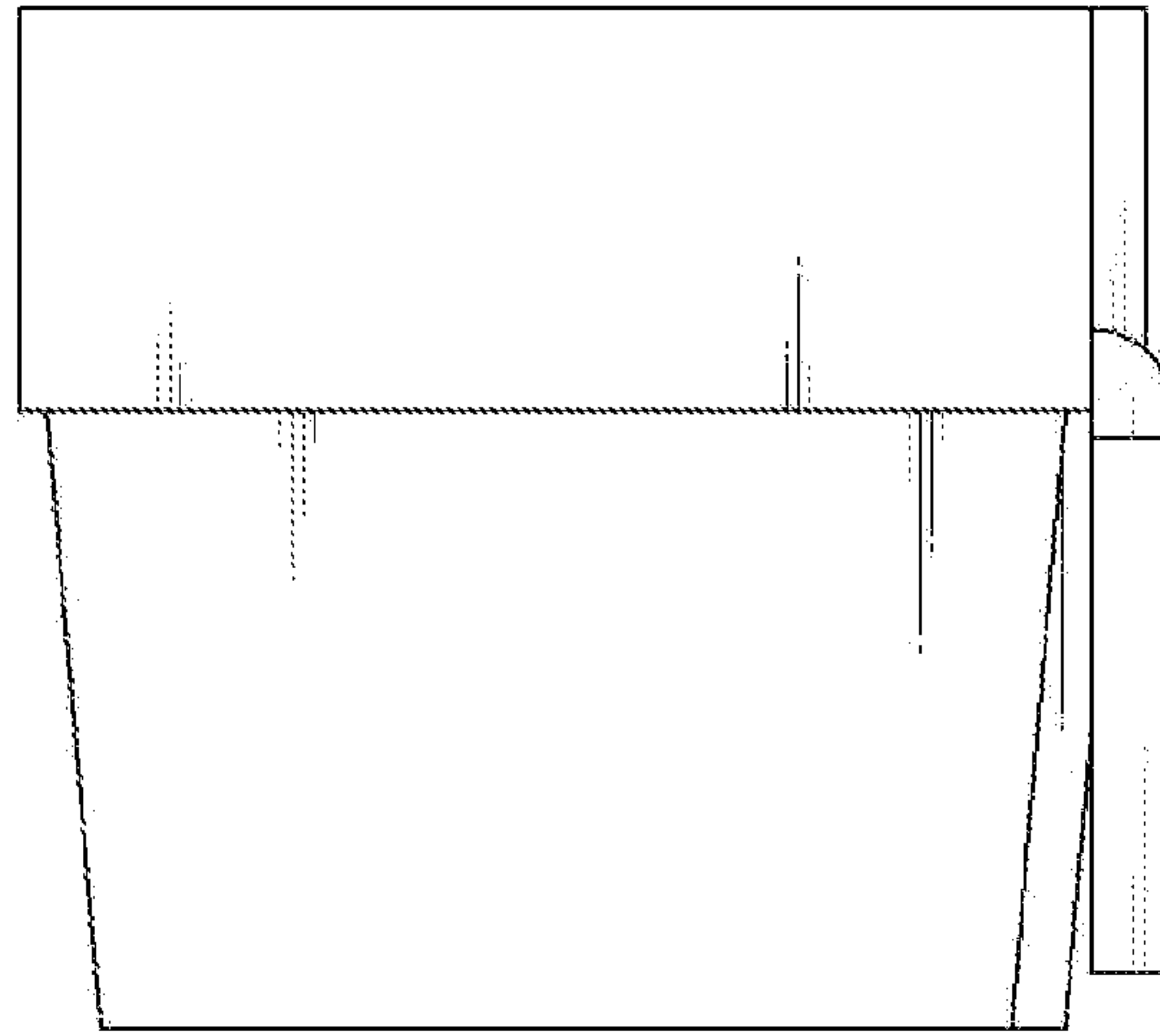


FIG.8

