

US00D597971S

(12) **United States Design Patent**
Kobayakawa et al.

(10) **Patent No.:** **US D597,971 S**

(45) **Date of Patent:** **** Aug. 11, 2009**

(54) **LIGHT EMITTING DIODE MODULE**

(75) Inventors: **Masahiko Kobayakawa**, Kyoto (JP);
Kazuhiro Mireba, Kyoto (JP)

(73) Assignee: **Rohm Co., Ltd.**, Kyoto (JP)

(**) Term: **14 Years**

(21) Appl. No.: **29/310,815**

(22) Filed: **Sep. 11, 2008**

(30) **Foreign Application Priority Data**

Mar. 13, 2008 (JP) 2008-006278

(51) **LOC (9) Cl.** **13-03**

(52) **U.S. Cl.** **D13/180**

(58) **Field of Classification Search** D13/180;
D26/2; 257/79, 80, 81, 88, 89, 95, 98, 99,
257/100; 313/483, 498, 500; 362/555, 800
See application file for complete search history.

(56) **References Cited**

U.S. PATENT DOCUMENTS

6,586,721 B2 * 7/2003 Estevez-Garcia 250/221
D491,899 S * 6/2004 Yagi D13/180
D570,797 S * 6/2008 Song D13/180
D573,114 S * 7/2008 Min et al. D13/180

2006/0220050 A1 * 10/2006 Higaki et al. 257/99
2007/0075325 A1 * 4/2007 Baek et al. 257/99
2008/0170391 A1 * 7/2008 Norfidathul et al. 362/227
2008/0210964 A1 * 9/2008 Tomioka 257/98

* cited by examiner

Primary Examiner—Selina Sikder

(74) *Attorney, Agent, or Firm*—Hamre, Schumann, Mueller
& Larson P.C.

(57) **CLAIM**

We claim the ornamental design for a light emitting diode module, as shown.

DESCRIPTION

FIG. 1 is a perspective view of a light emitting diode module according to my new design;

FIG. 2 is a front view of the same module;

FIG. 3 is a rear view of the same module;

FIG. 4 is a top plan view of the same module;

FIG. 5 is a bottom view of the same module;

FIG. 6 is a left side view of the same module;

FIG. 7 is a right side view of the same module; and,

FIG. 8 is a sectional view of the same module taken along lines 8—8 in FIG. 4.

1 Claim, 3 Drawing Sheets

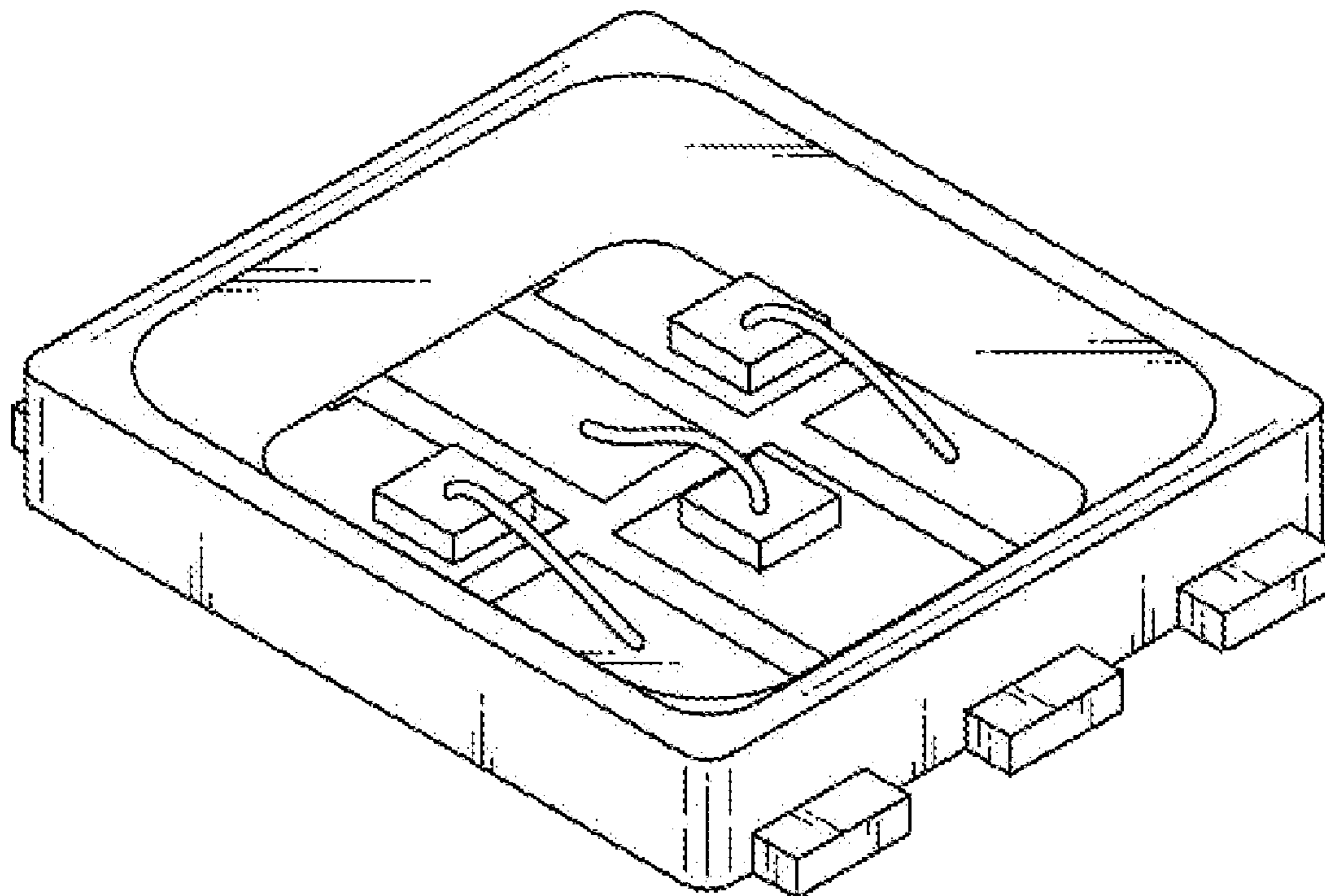


FIG.1

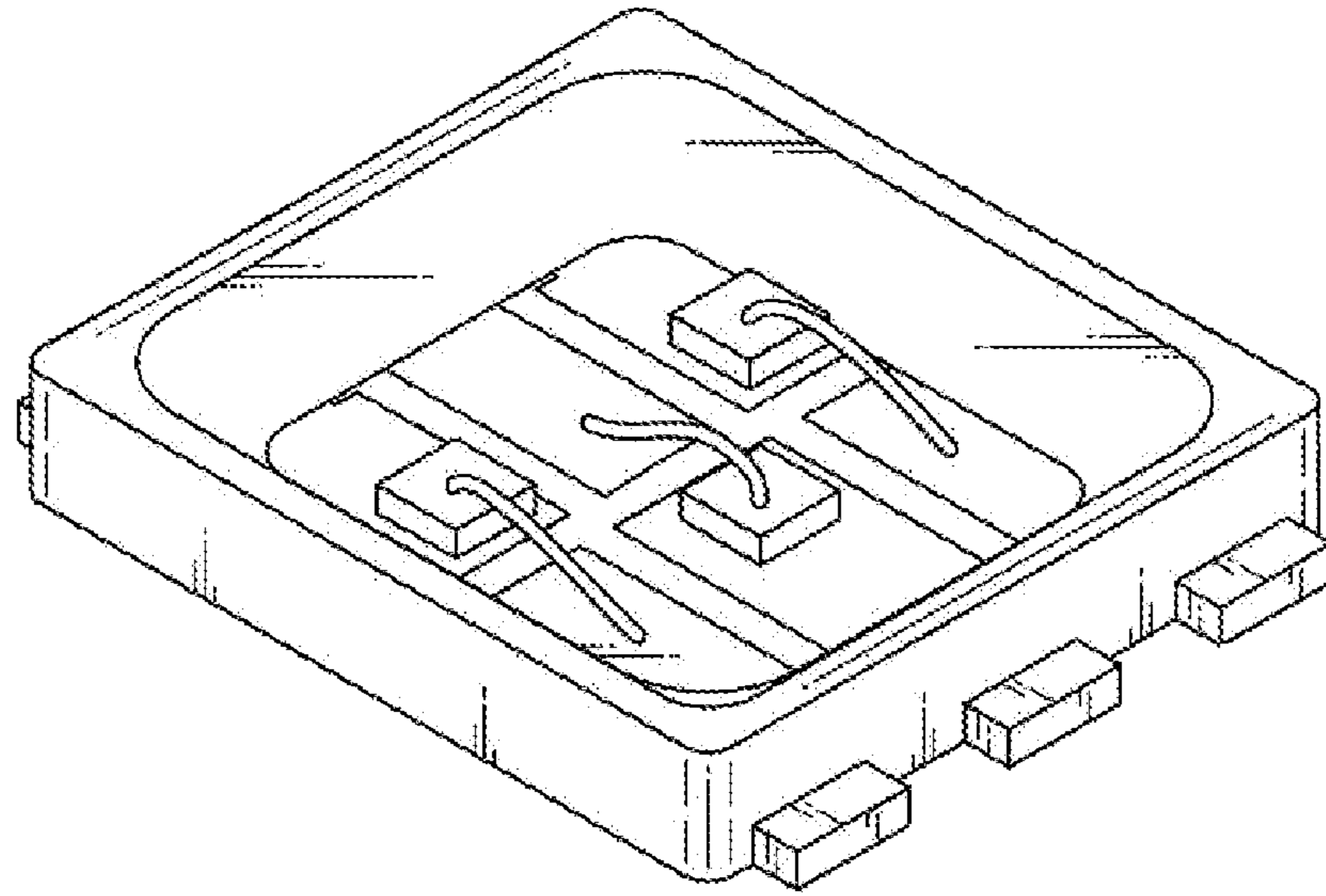


FIG.2

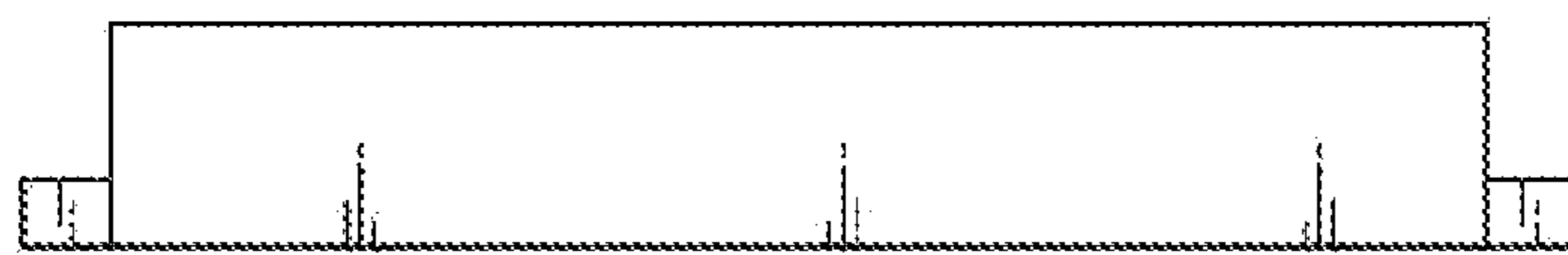


FIG.3

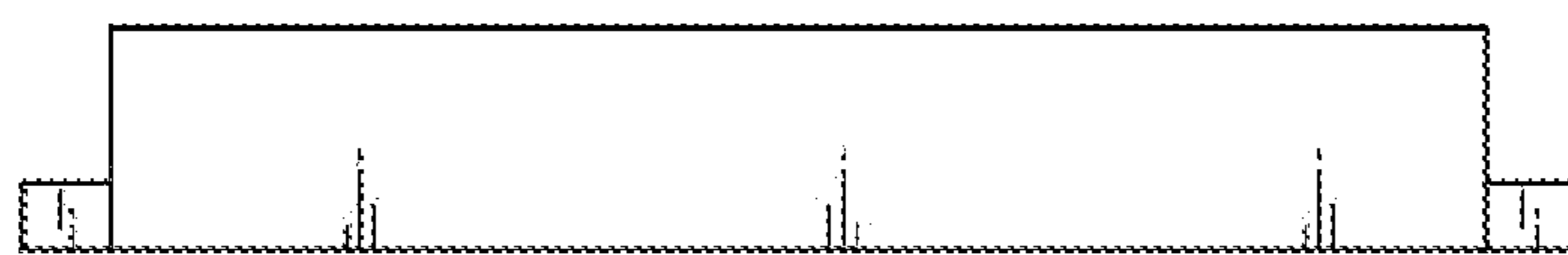


FIG.4

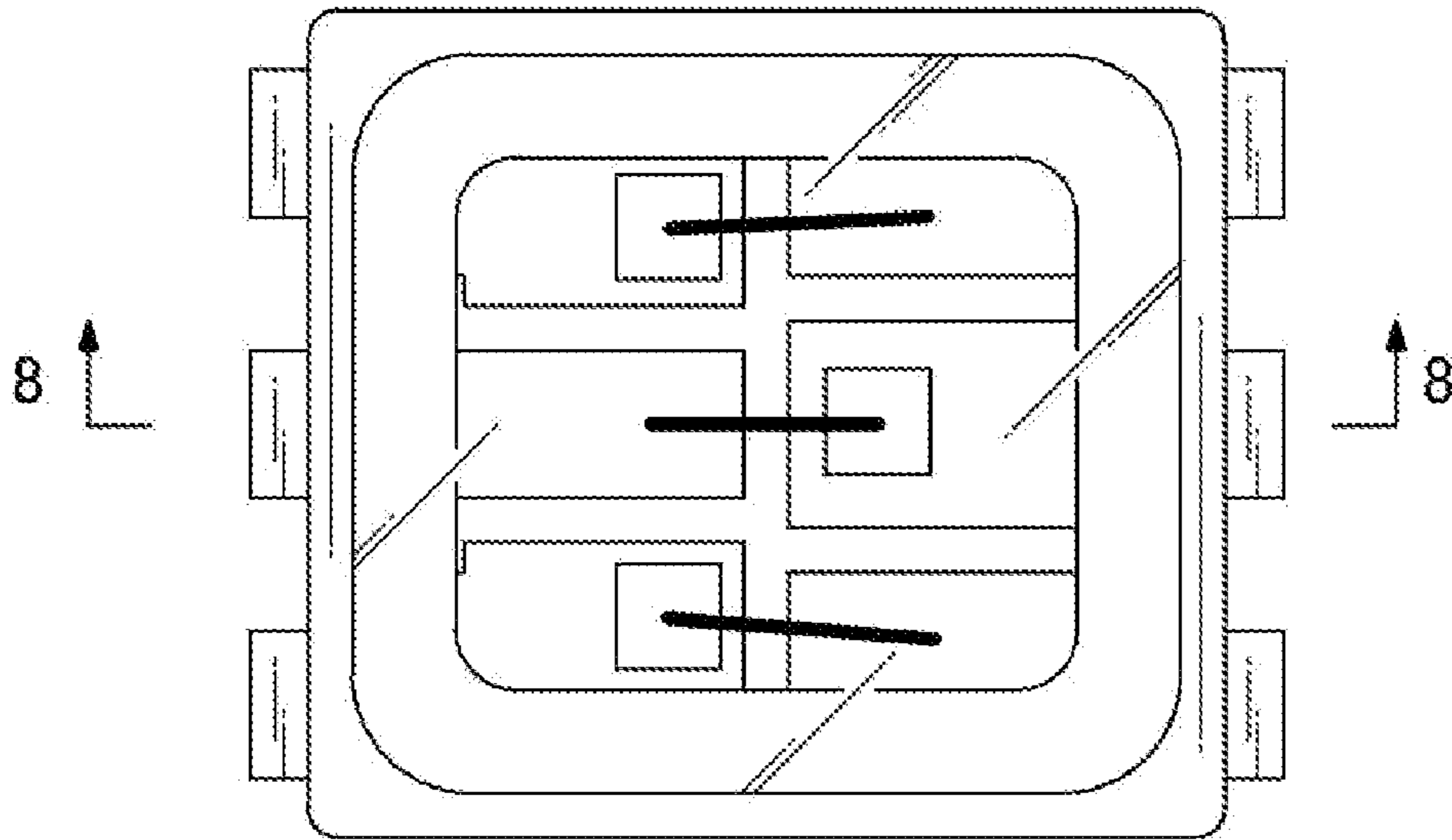


FIG.5

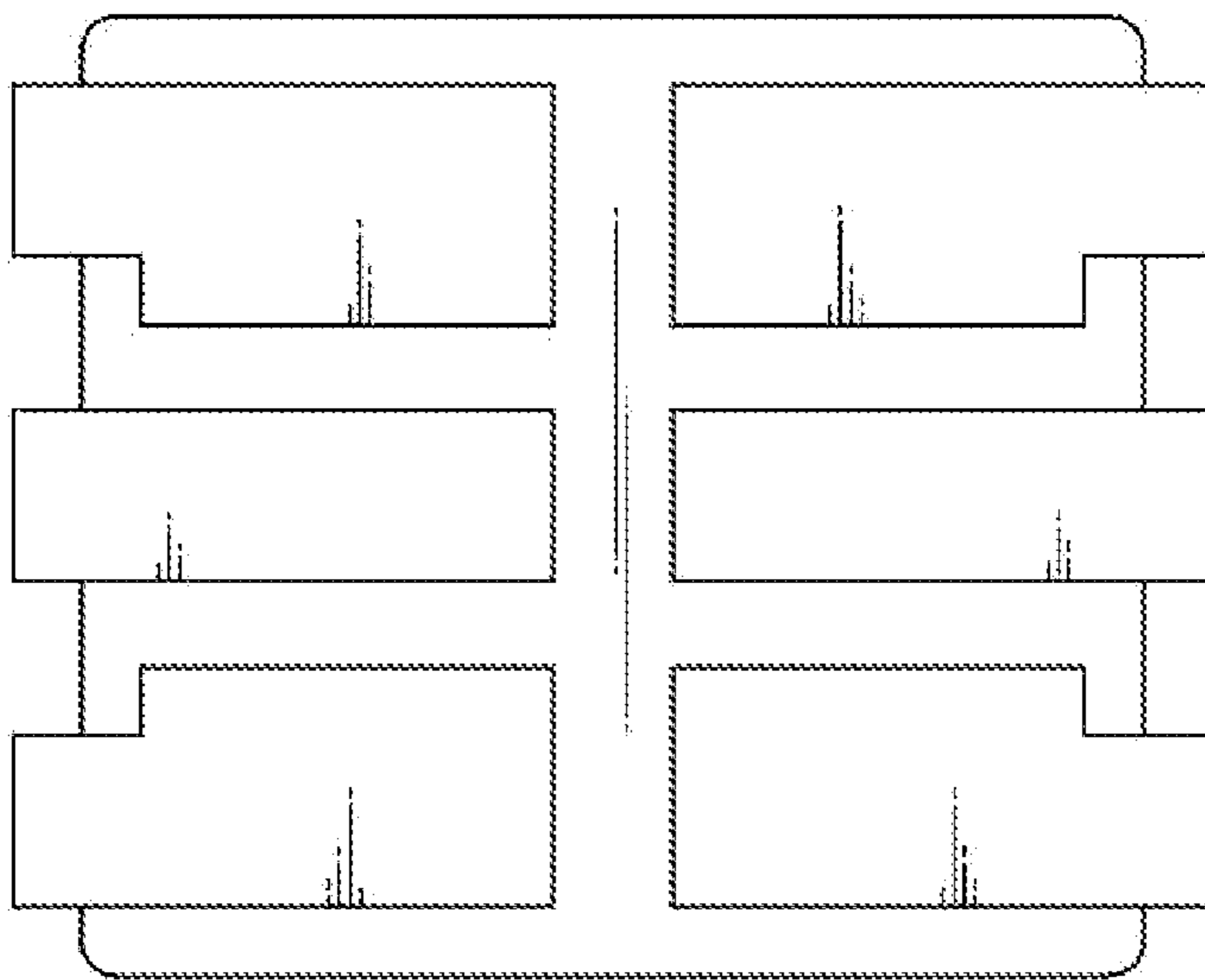


FIG.6

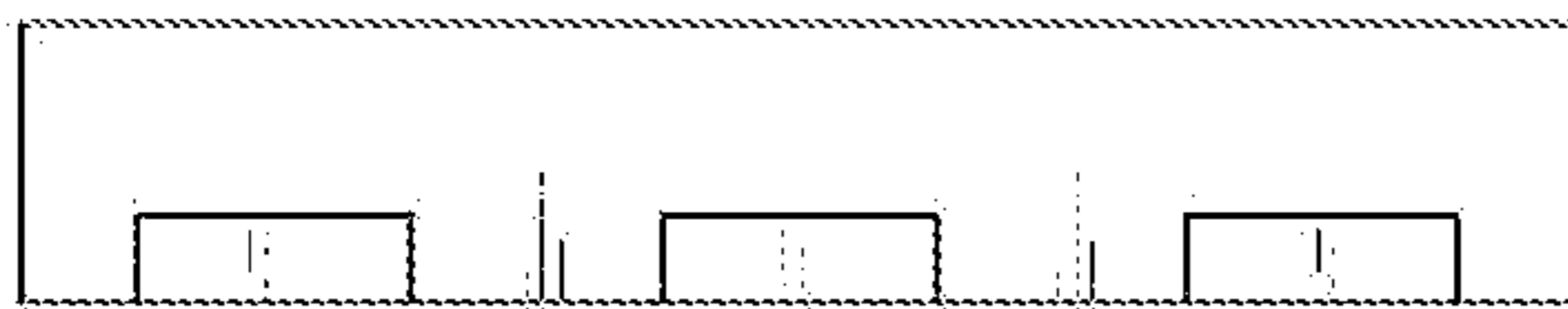


FIG.7

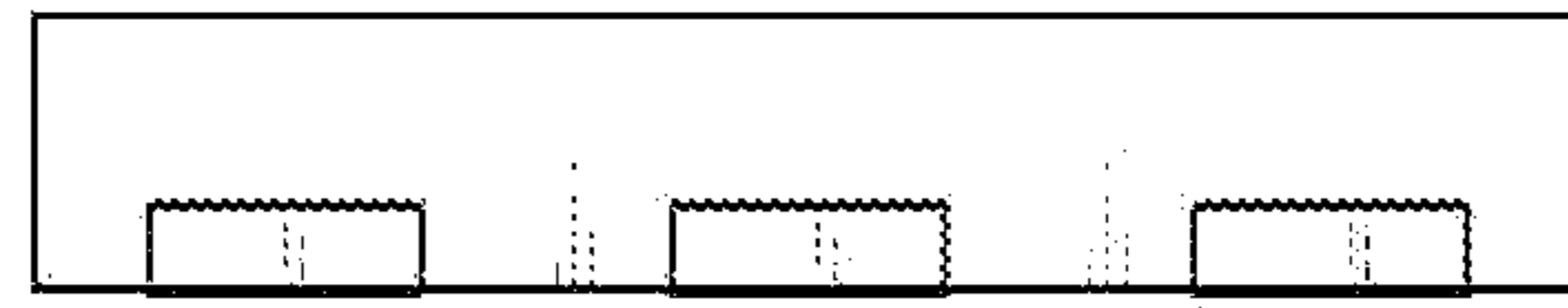


FIG.8

