

US00D597967S

(12) **United States Design Patent**
Im

(10) **Patent No.:** **US D597,967 S**

(45) **Date of Patent:** **** *Aug. 11, 2009**

(54) **LIGHT-EMITTING DIODE (LED)**

(75) Inventor: **Hyeong Seok Im**, Gwangsan-gu (KR)

(73) Assignee: **LG Innotek Co., Ltd.**, Seoul (KR)

(*) Notice: This patent is subject to a terminal disclaimer.

(**) Term: **14 Years**

(21) Appl. No.: **29/299,179**

(22) Filed: **Dec. 20, 2007**

(30) **Foreign Application Priority Data**

Jun. 20, 2007 (KR) 30-2007-0026618

(51) **LOC (9) Cl.** **13-03**

(52) **U.S. Cl.** **D13/180**

(58) **Field of Classification Search** D13/180;
D26/2; 257/79, 80, 81, 88, 89, 95, 98, 99,
257/100; 313/483, 498, 500; 362/555, 800
See application file for complete search history.

(56) **References Cited**

U.S. PATENT DOCUMENTS

D490,386 S * 5/2004 Ishida D13/180
D495,667 S * 9/2004 Kim et al. D13/180
D501,831 S * 2/2005 Ishida D13/180
D504,873 S * 5/2005 Ishida D13/180
6,953,952 B2 * 10/2005 Asakawa 257/103

D512,693 S * 12/2005 Kim et al. D13/180
D534,132 S * 12/2006 Yoon D13/180
D538,760 S * 3/2007 Song et al. D13/180
7,242,035 B2 * 7/2007 Kim et al. 257/99
D549,187 S * 8/2007 Park et al. D13/180
D551,181 S * 9/2007 Son D13/180
D558,693 S * 1/2008 Shin et al. D13/180
D566,664 S * 4/2008 Kong D13/180
2005/0121688 A1 * 6/2005 Nagai et al. 257/99
2006/0023451 A1 * 2/2006 Han et al. 362/249

* cited by examiner

Primary Examiner—Selina Sikder

(74) *Attorney, Agent, or Firm*—Saliwanchik Lloyd & Saliwanchik

(57) **CLAIM**

The ornamental design for a light-emitting diode (LED), as shown and described.

DESCRIPTION

FIG. 1 is a front, right perspective of the light-emitting diode (LED) showing my new design;

FIG. 2 is a front view thereof;

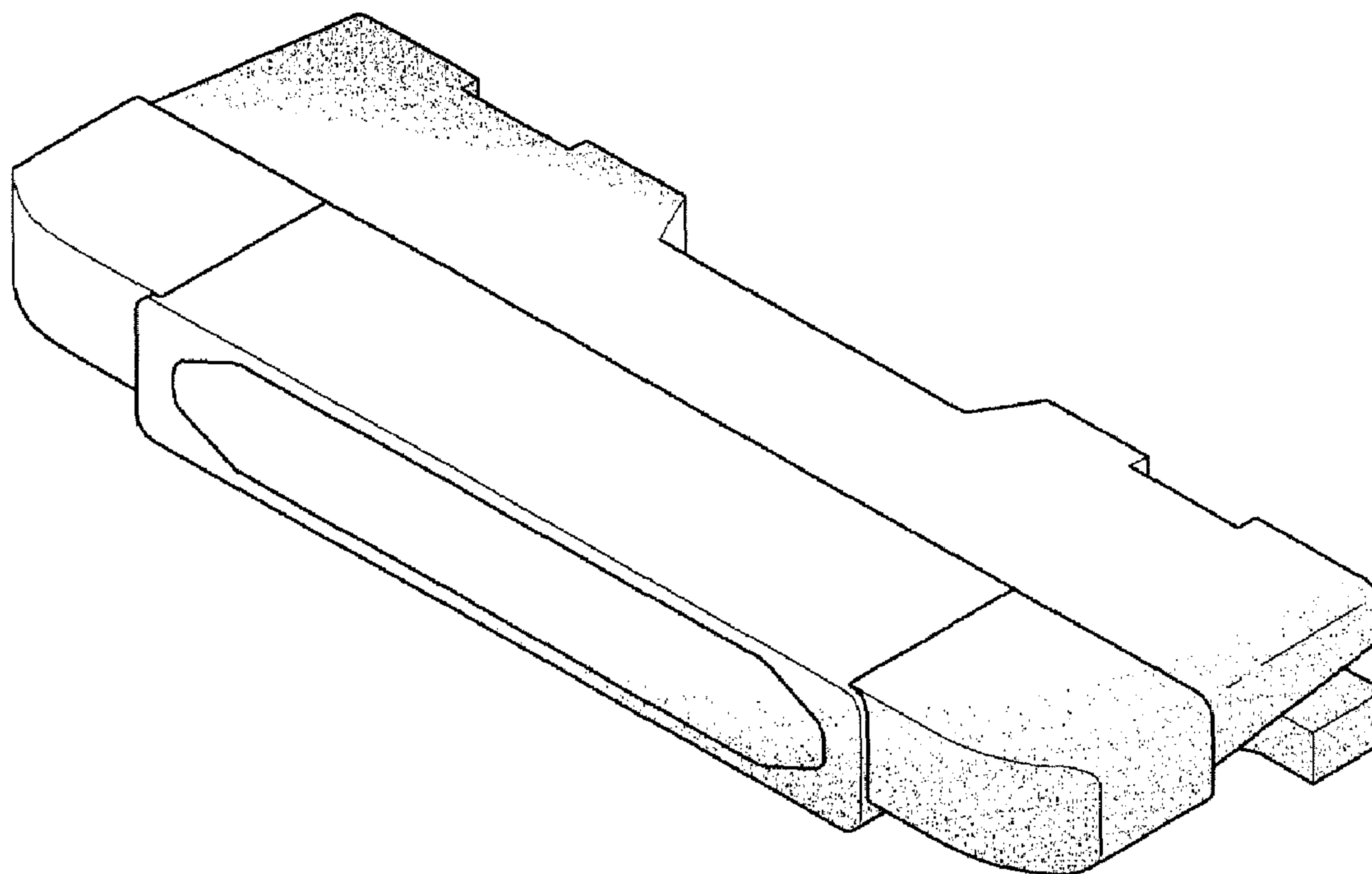
FIG. 3 is a rear view thereof;

FIG. 4 is a left side view thereof, the right side view being a mirror image thereof;

FIG. 5 is a top plan view thereof; and,

FIG. 6 is a bottom plan view thereof.

1 Claim, 2 Drawing Sheets



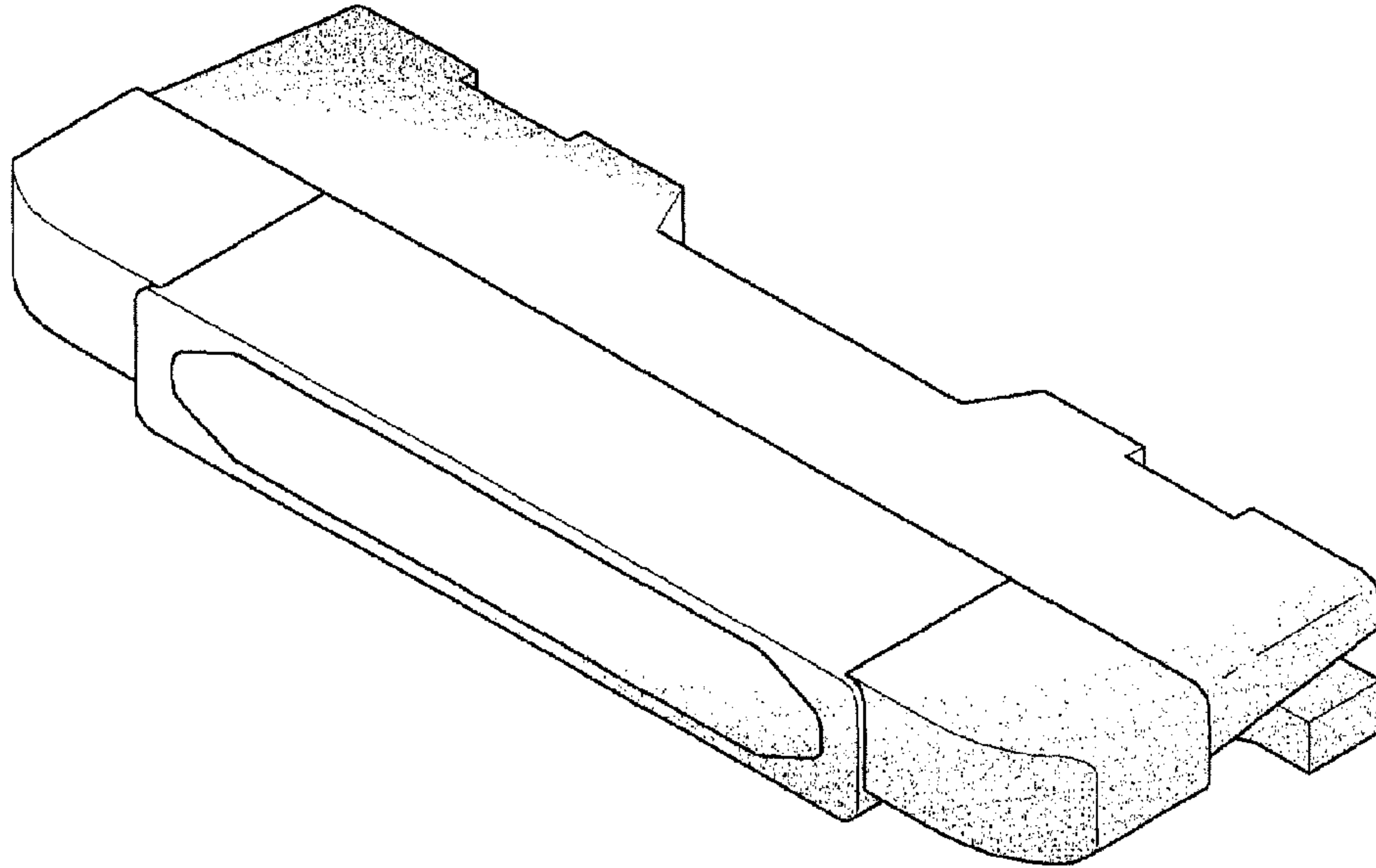


FIG. 1

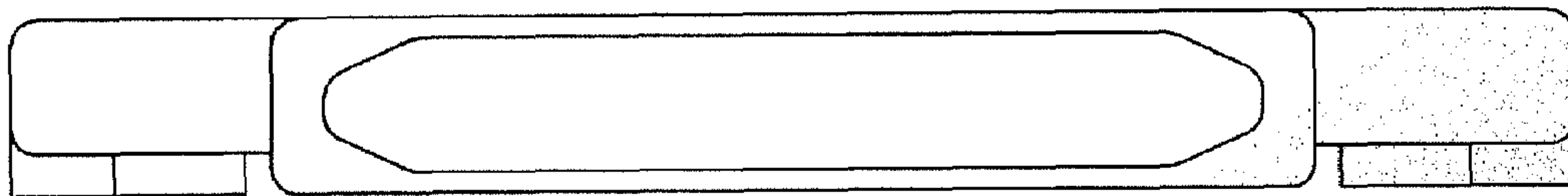


FIG. 2

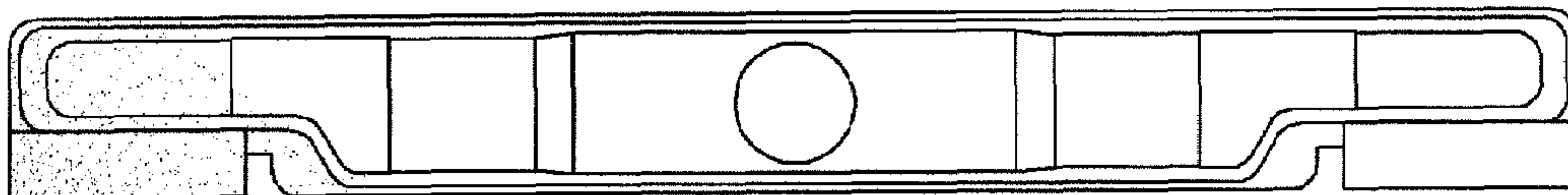


FIG. 3

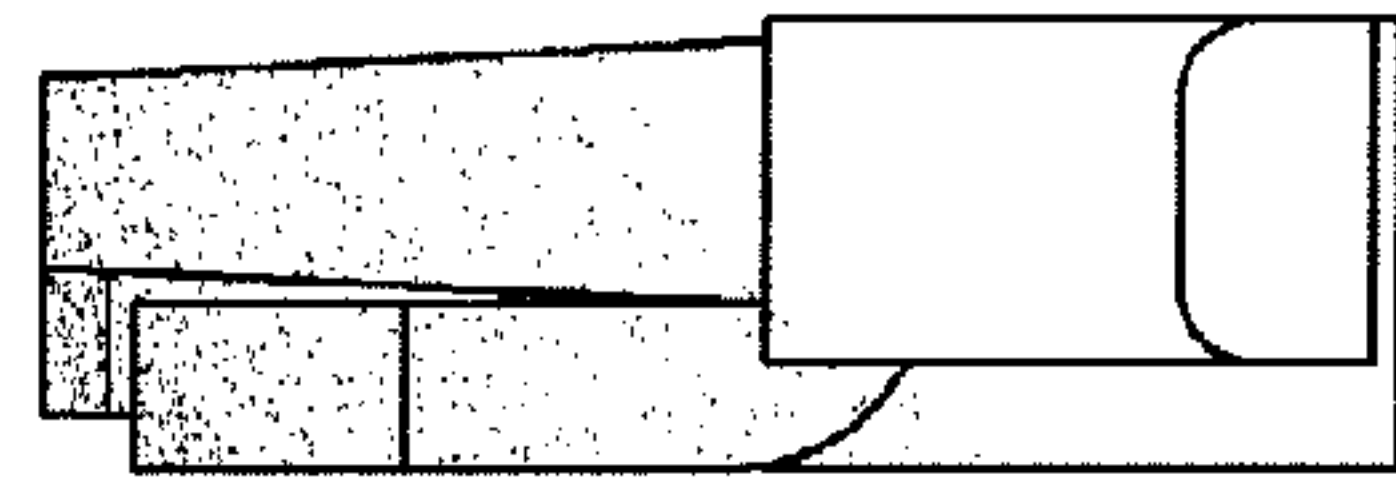


FIG. 4

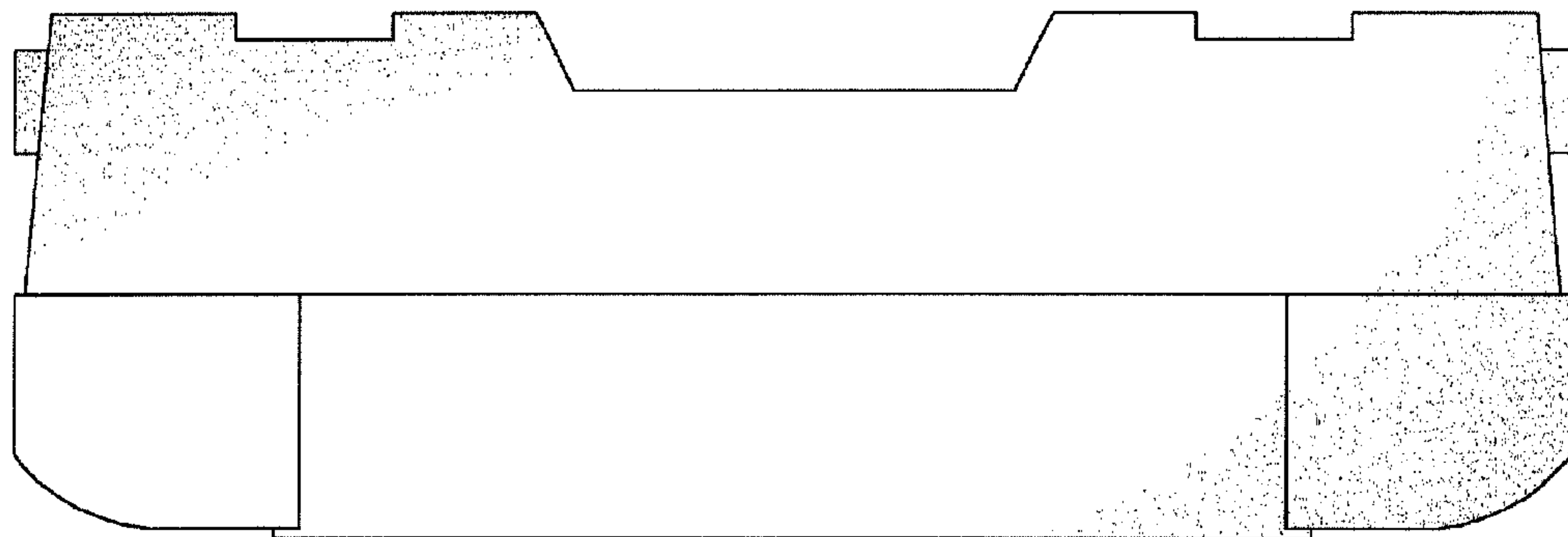


FIG. 5

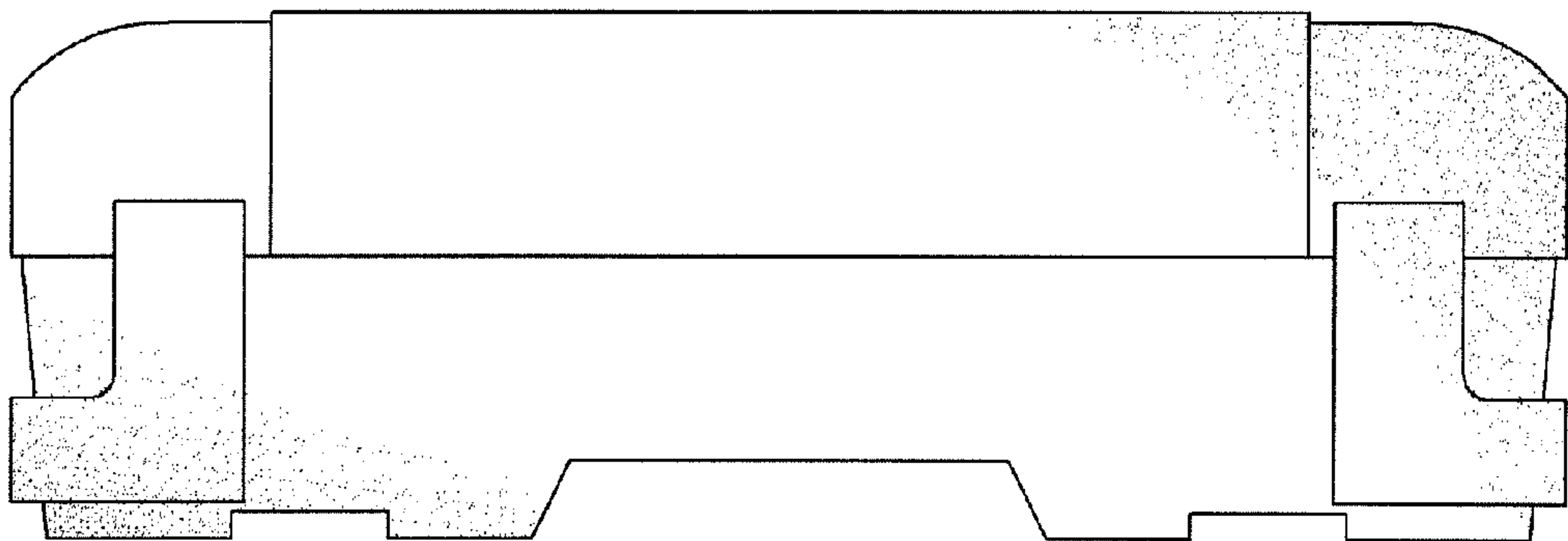


FIG. 6