



US00D597963S

(12) **United States Design Patent**
Mulch et al.

(10) **Patent No.:** **US D597,963 S**

(45) **Date of Patent:** **** Aug. 11, 2009**

(54) **ELECTRICAL WIRING HANGER**

D402,262 S * 12/1998 Scherer et al. D13/155
D404,010 S * 1/1999 Viklund et al. D13/155
D539,230 S * 3/2007 Jordan D13/155

(76) Inventors: **Steven D. Mulch**, Route 3, Box 92,
Butler, MO (US) 64730; **Theresa A.
Mulch**, Route 3, Box 92, Butler, MO
(US) 64730; **Travis M. Mulch**, Route 3,
Box 92, Butler, MO (US) 64730

* cited by examiner

Primary Examiner—Brian N Vinson
(74) *Attorney, Agent, or Firm*—Mark E. Brown

(**) Term: **14 Years**

(21) Appl. No.: **29/326,189**

(22) Filed: **Oct. 14, 2008**

(51) **LOC (9) Cl.** **13-03**

(52) **U.S. Cl.** **D13/155**

(58) **Field of Classification Search** D13/152–157,
D13/184; D8/354, 35, 396; 104/275; 138/106–107,
138/112–113, 116–117, 158, 162–163, 166–169,
138/174; 14/169.5; 174/101, 38, 68.1, 68.3,
174/72 A, 72 C, 75 R, 84 R, 91–97
See application file for complete search history.

(56) **References Cited**

U.S. PATENT DOCUMENTS

D282,538 S * 2/1986 Loof et al. D13/155
D285,192 S * 8/1986 Hubbard et al. D13/155

(57) **CLAIM**

The ornamental design for an electrical wiring hanger, as shown and described.

DESCRIPTION

FIG. 1 is a perspective view of an electrical wiring hanger, showing my new design;

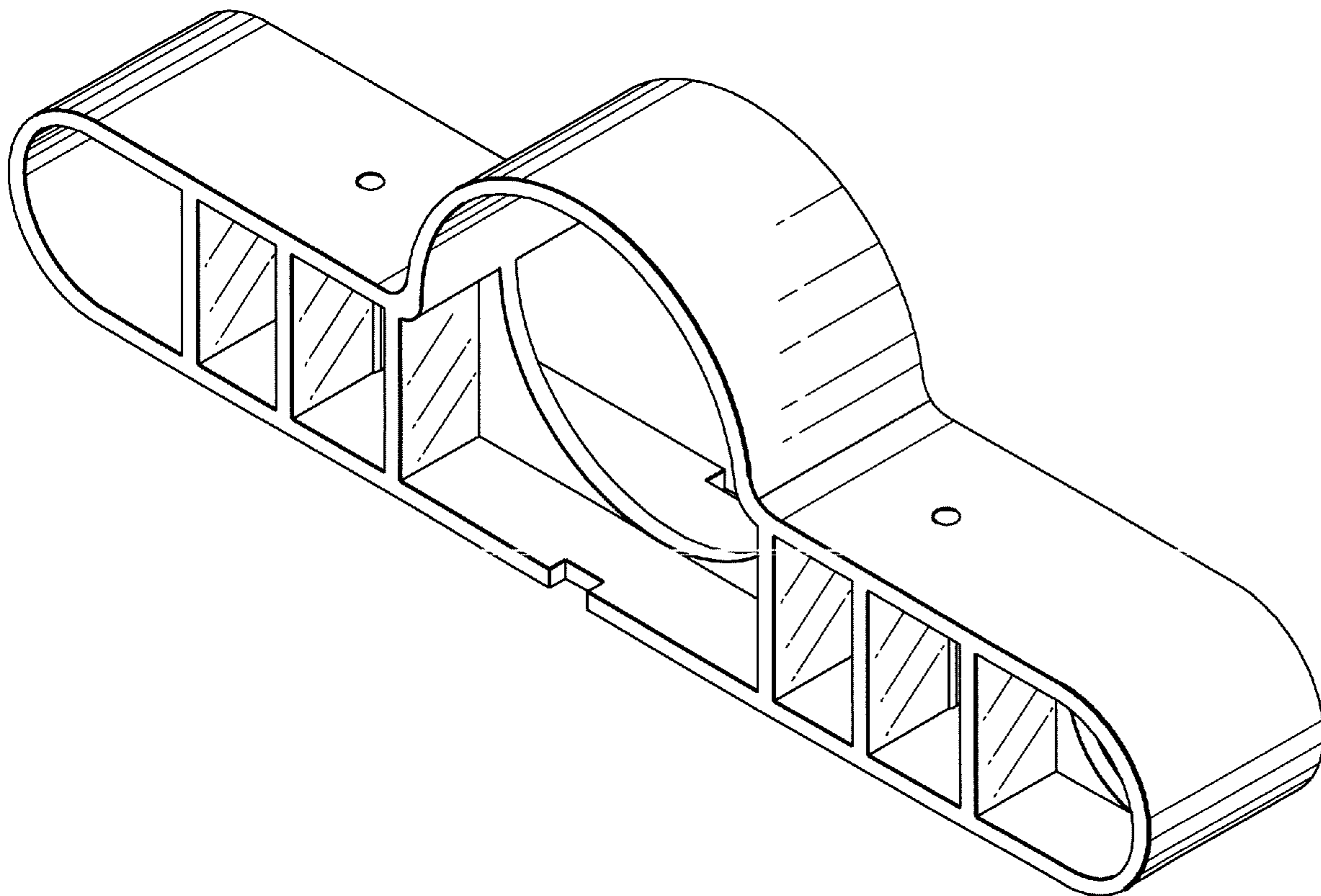
FIG. 2 is a front elevational view thereof; the back is a mirror image thereof;

FIG. 3 is a top plan view thereof;

FIG. 4 is a bottom plan view thereof; the bottom is a mirror image thereof; and,

FIG. 5 is a right side elevational view thereof; the left side is a mirror image thereof.

1 Claim, 4 Drawing Sheets



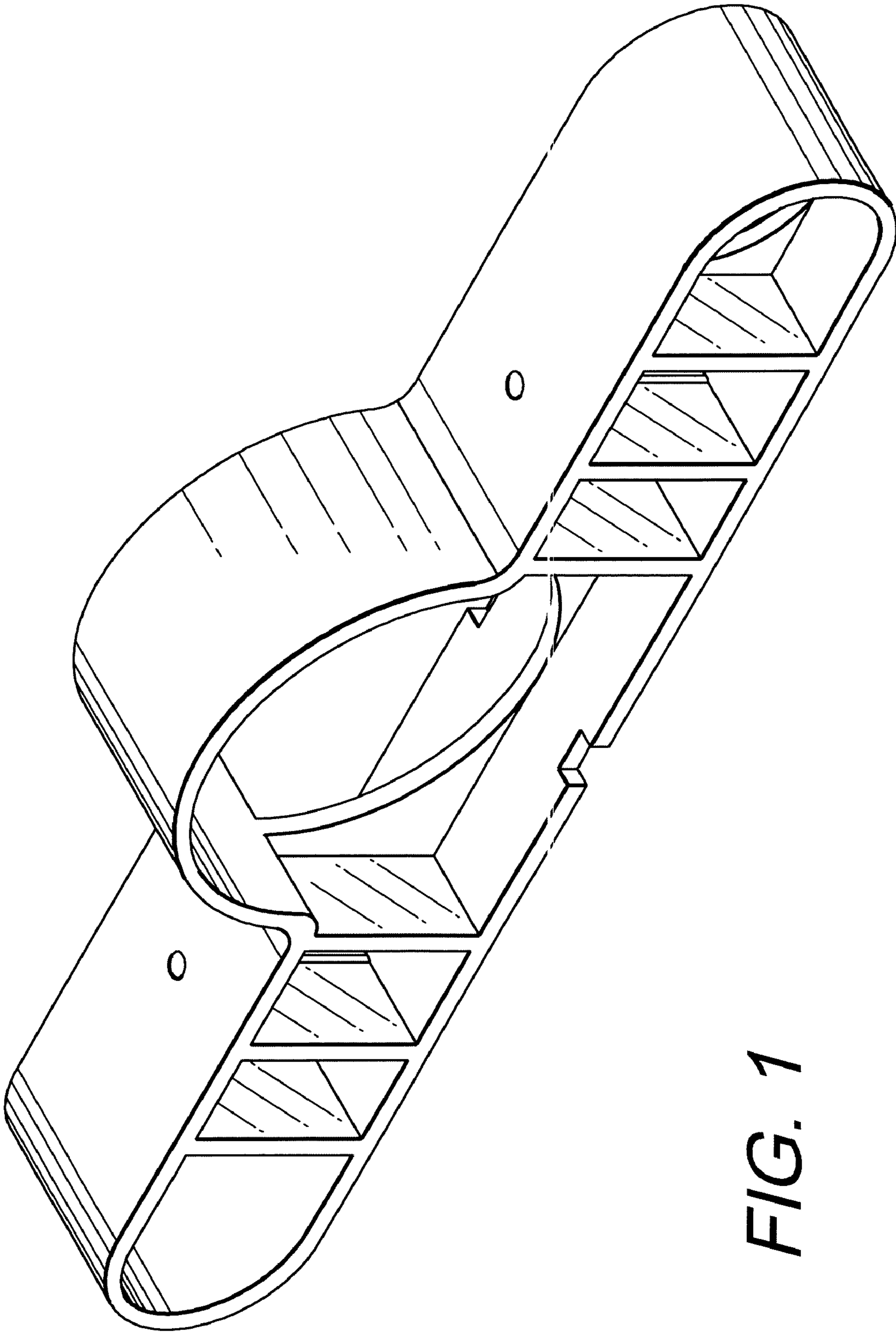


FIG. 1

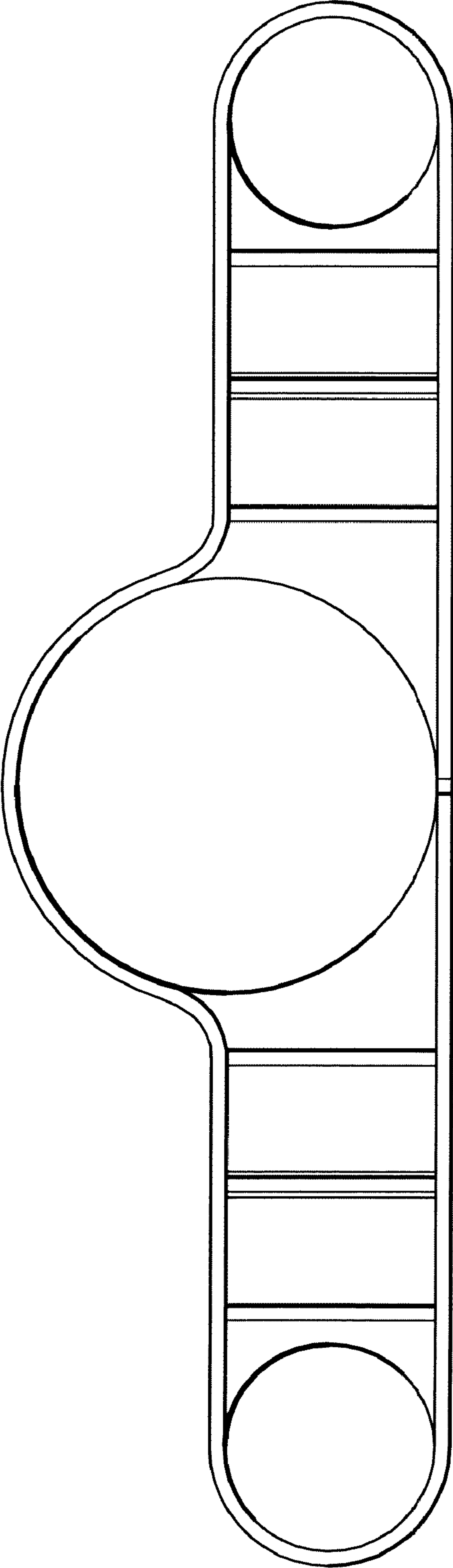


FIG. 2

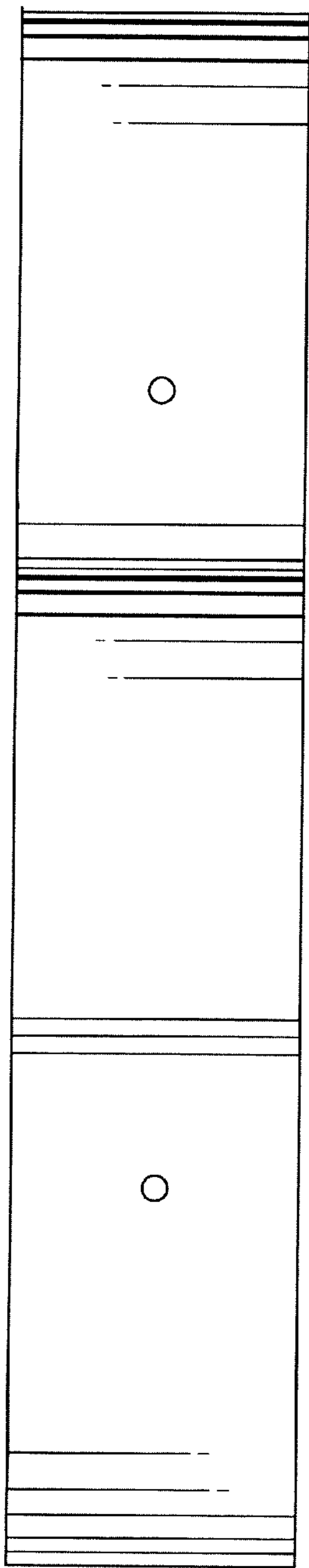


FIG. 3

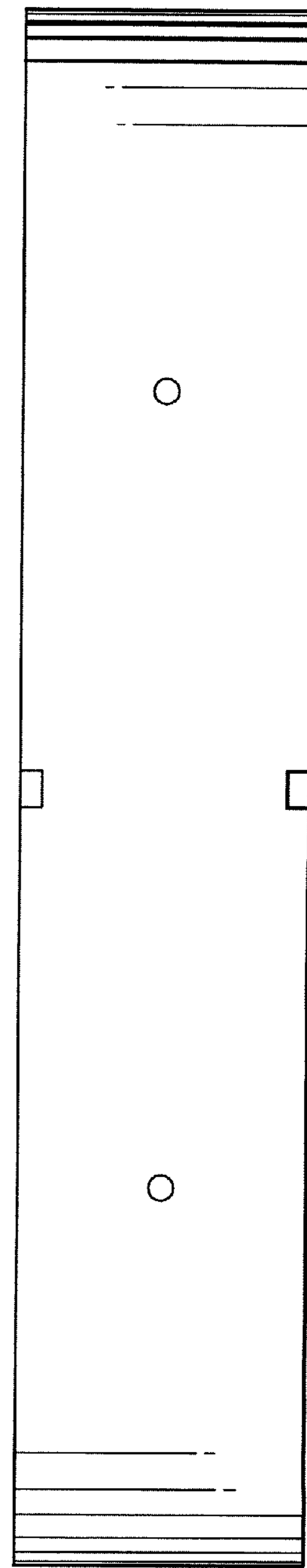


FIG. 4

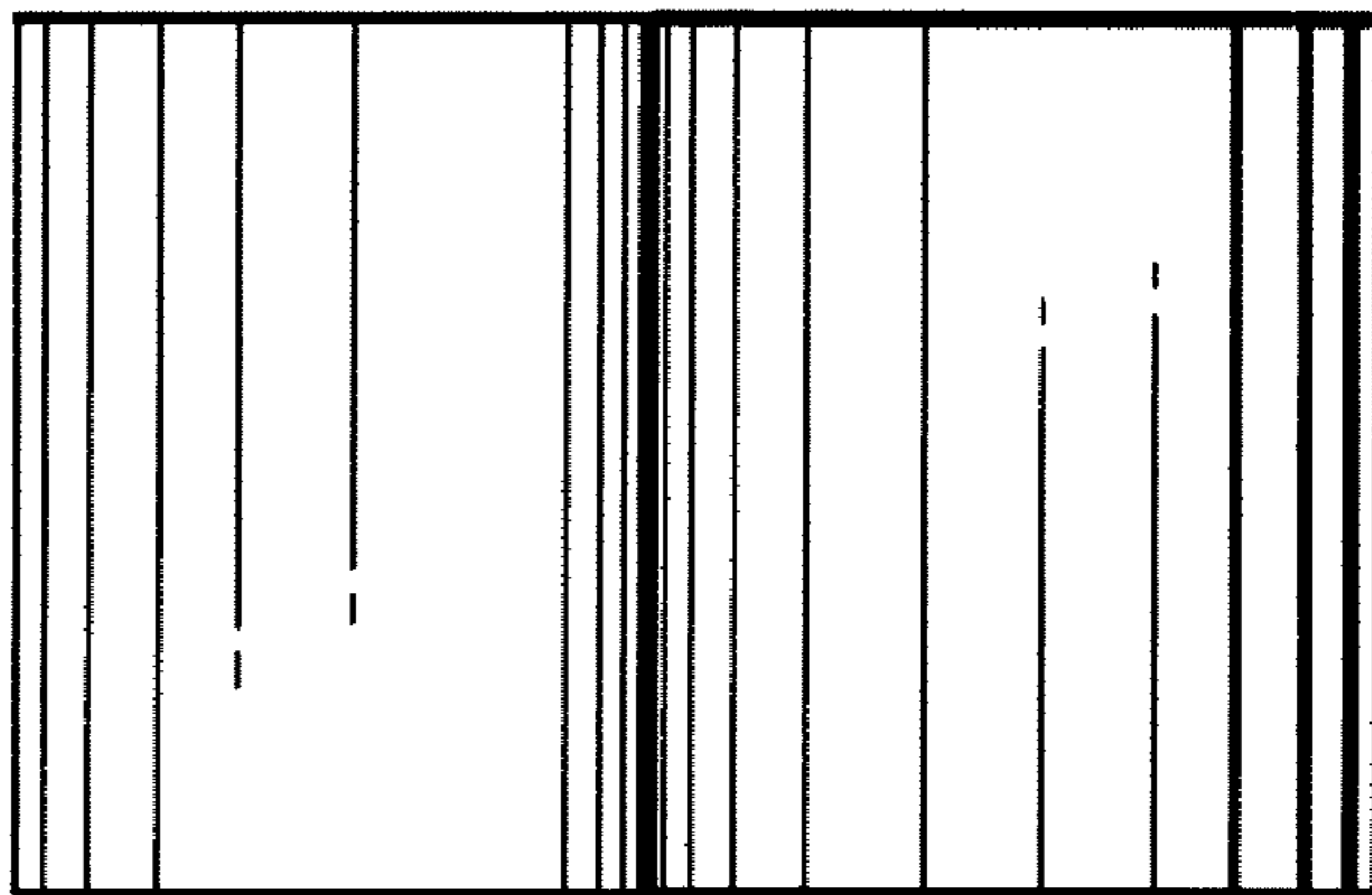


FIG. 5