



US00D597962S

(12) **United States Design Patent**
Albrecht

(10) **Patent No.:** **US D597,962 S**

(45) **Date of Patent:** **** Aug. 11, 2009**

(54) **CONNECTOR HOUSING**

(75) Inventor: **Mark R. Albrecht**, Stow, OH (US)

(73) Assignee: **Delta Systems, Inc.**, Streetsboro, OH (US)

(**) Term: **14 Years**

(21) Appl. No.: **29/267,879**

(22) Filed: **Oct. 24, 2006**

(51) **LOC (9) Cl.** **13-03**

(52) **U.S. Cl.** **D13/154**

(58) **Field of Classification Search** D13/133,
D13/146-147, 154, 184; 439/571, 607-610,
439/660, 680, 682, 685

See application file for complete search history.

(56) **References Cited**

U.S. PATENT DOCUMENTS

D311,379 S *	10/1990	Kuzuno et al.	D13/147
D314,752 S *	2/1991	Maejima et al.	D13/147
D314,755 S *	2/1991	Endo et al.	D13/147
D459,704 S *	7/2002	Chen	D13/147

OTHER PUBLICATIONS

Housing Connector sold more than one year prior to the filing date of this application. Drawing (1) page.

* cited by examiner

Primary Examiner—Daniel D Bui

(74) *Attorney, Agent, or Firm*—Tarolli, Sundheim, Covell & Tummino LLP

(57) **CLAIM**

The ornamental design for a connector housing, as shown and described.

DESCRIPTION

FIG. 1 is a perspective view of a connector housing showing my new design;

FIG. 2 is a top plan view thereof;

FIG. 3 is a front elevation view thereof;

FIG. 4 is a bottom plan view thereof;

FIG. 5 is a first-side elevation view thereof;

FIG. 6 is a rear elevation view thereof;

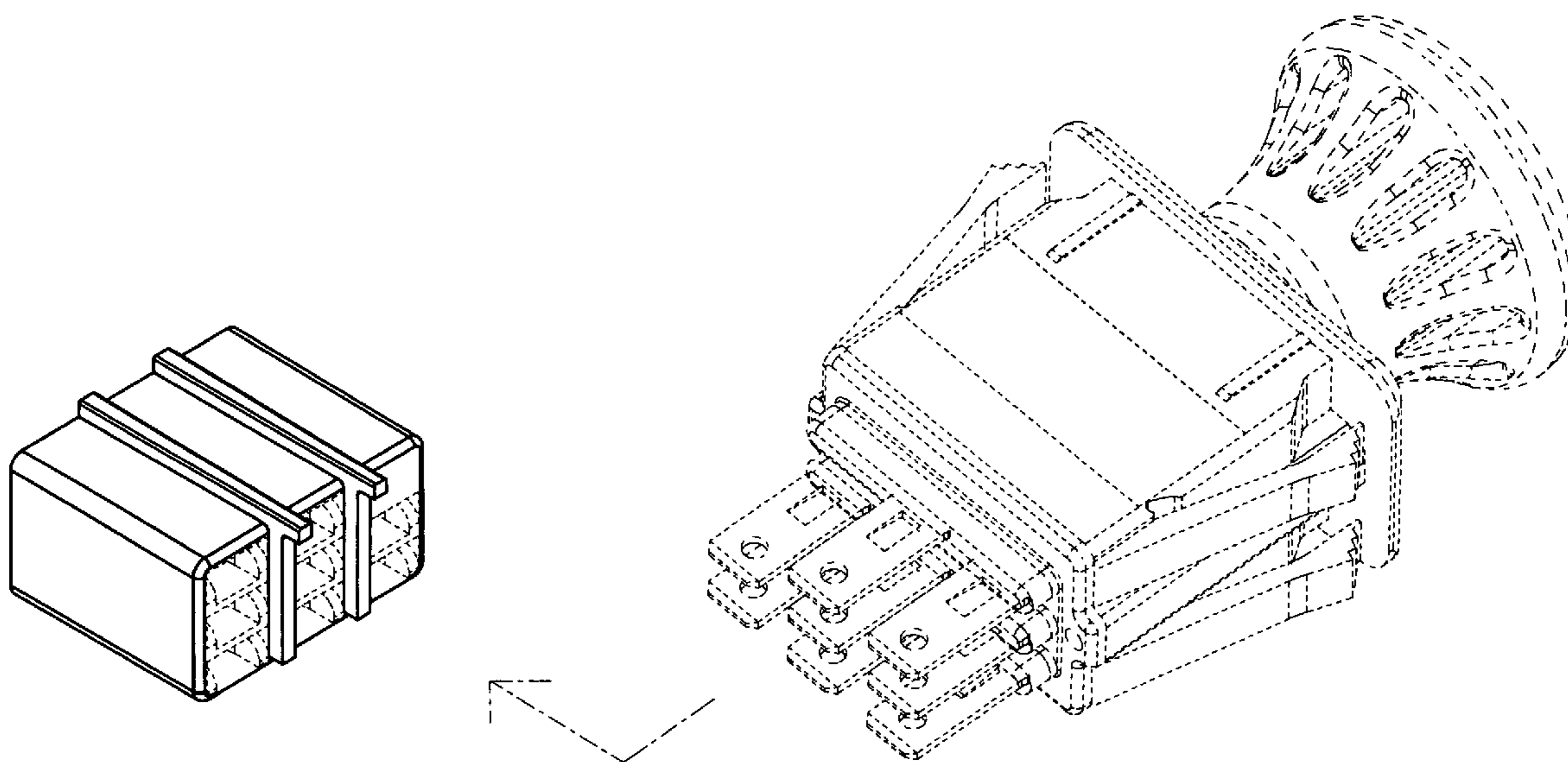
FIG. 7 is a second-side elevation view thereof;

FIG. 8 is a second-side elevation view thereof, in use condition; and,

FIG. 9 is a second-side elevation view thereof, not in use condition.

The broken line portion of the figure drawings is included to show unclaimed subject matter only and forms no part of the claimed design.

1 Claim, 4 Drawing Sheets



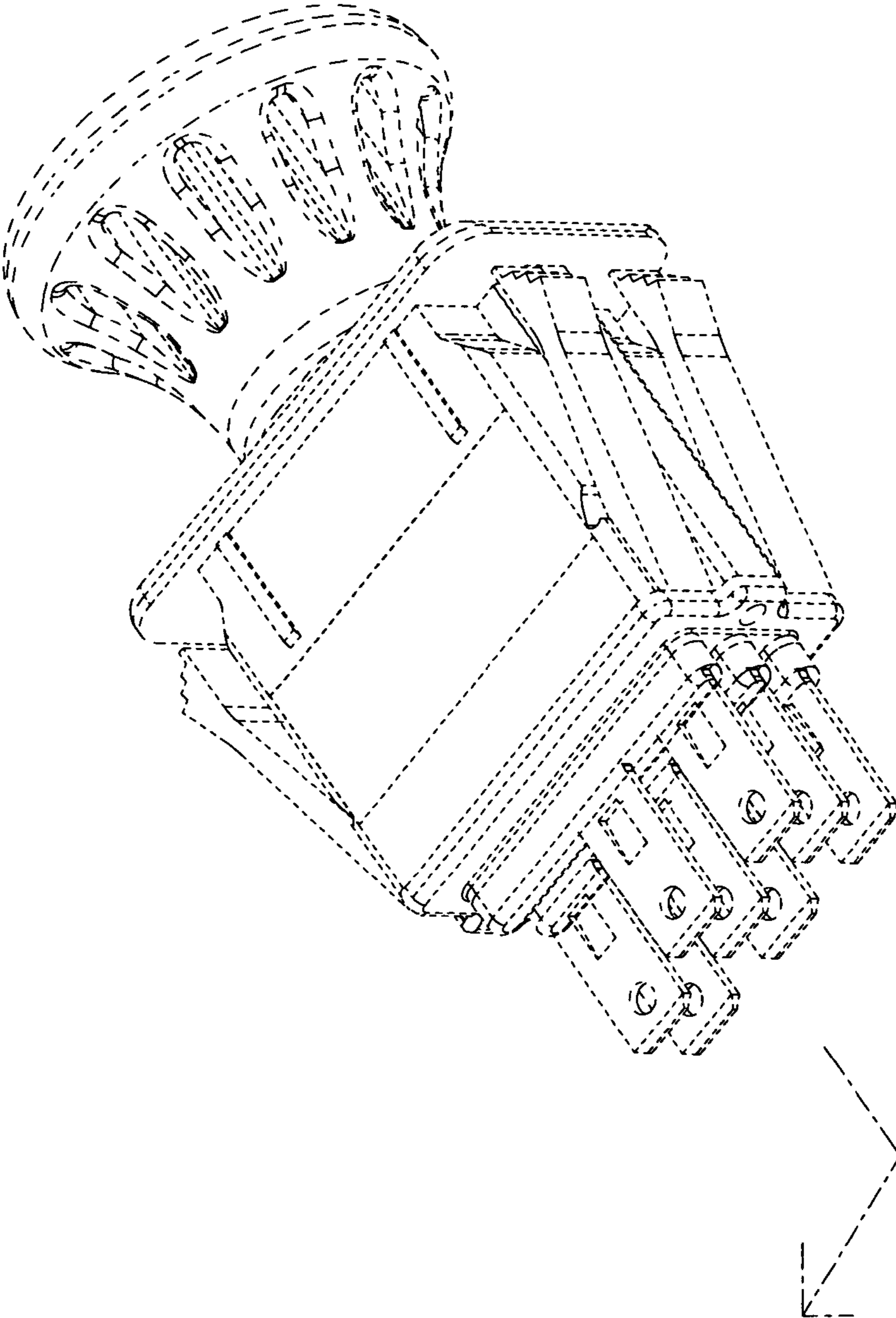


Fig.1

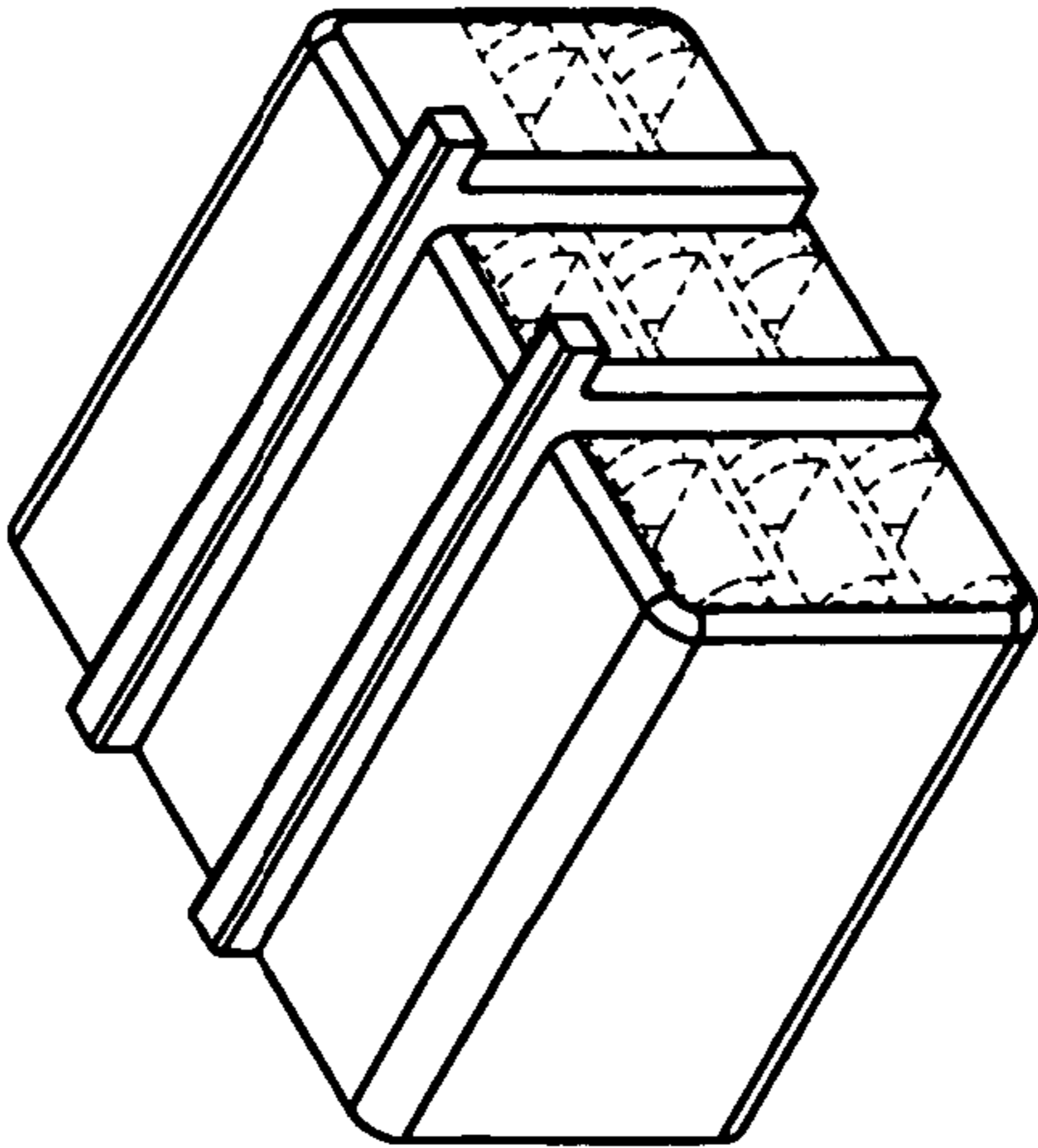


Fig.2

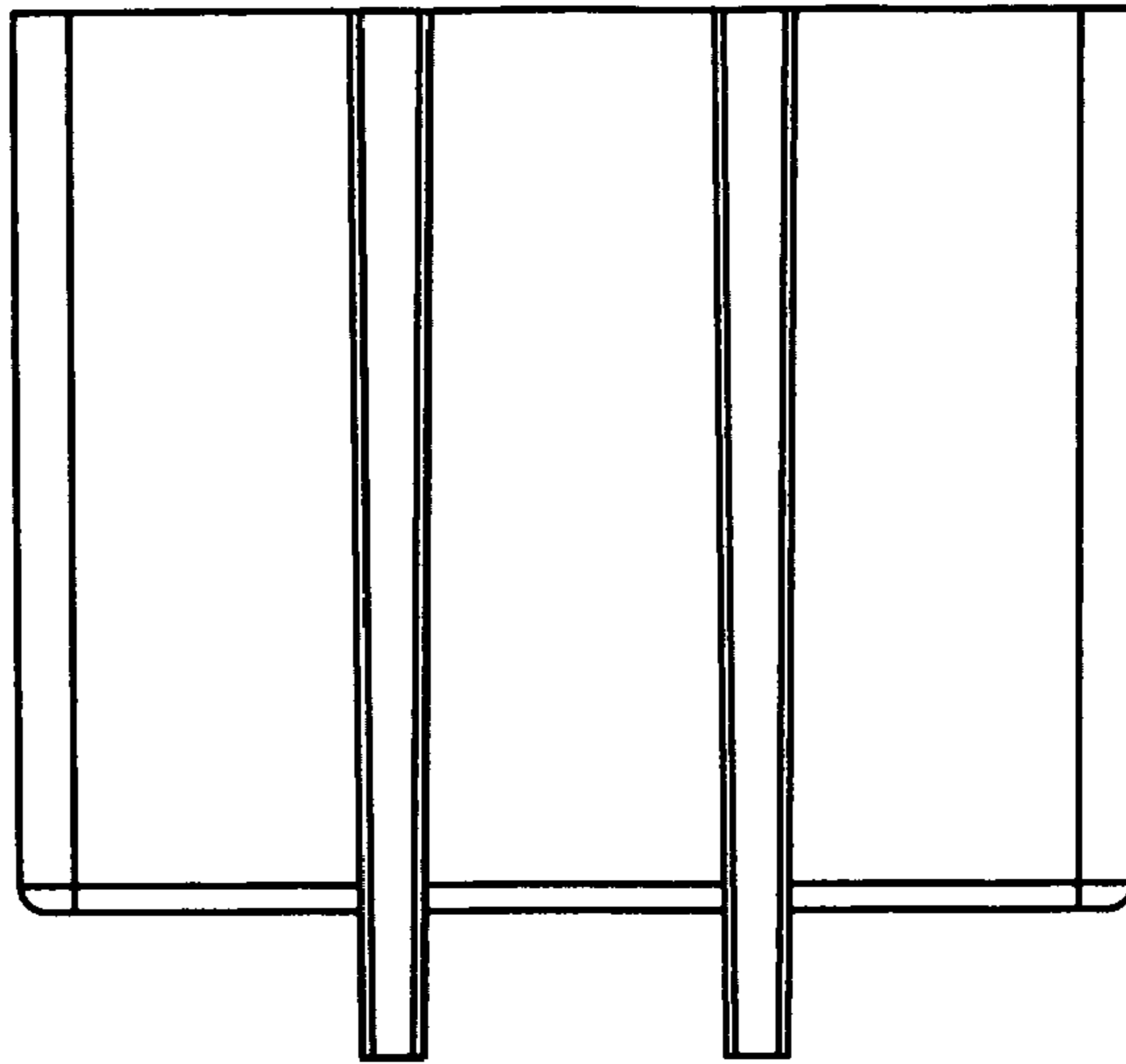


Fig.3

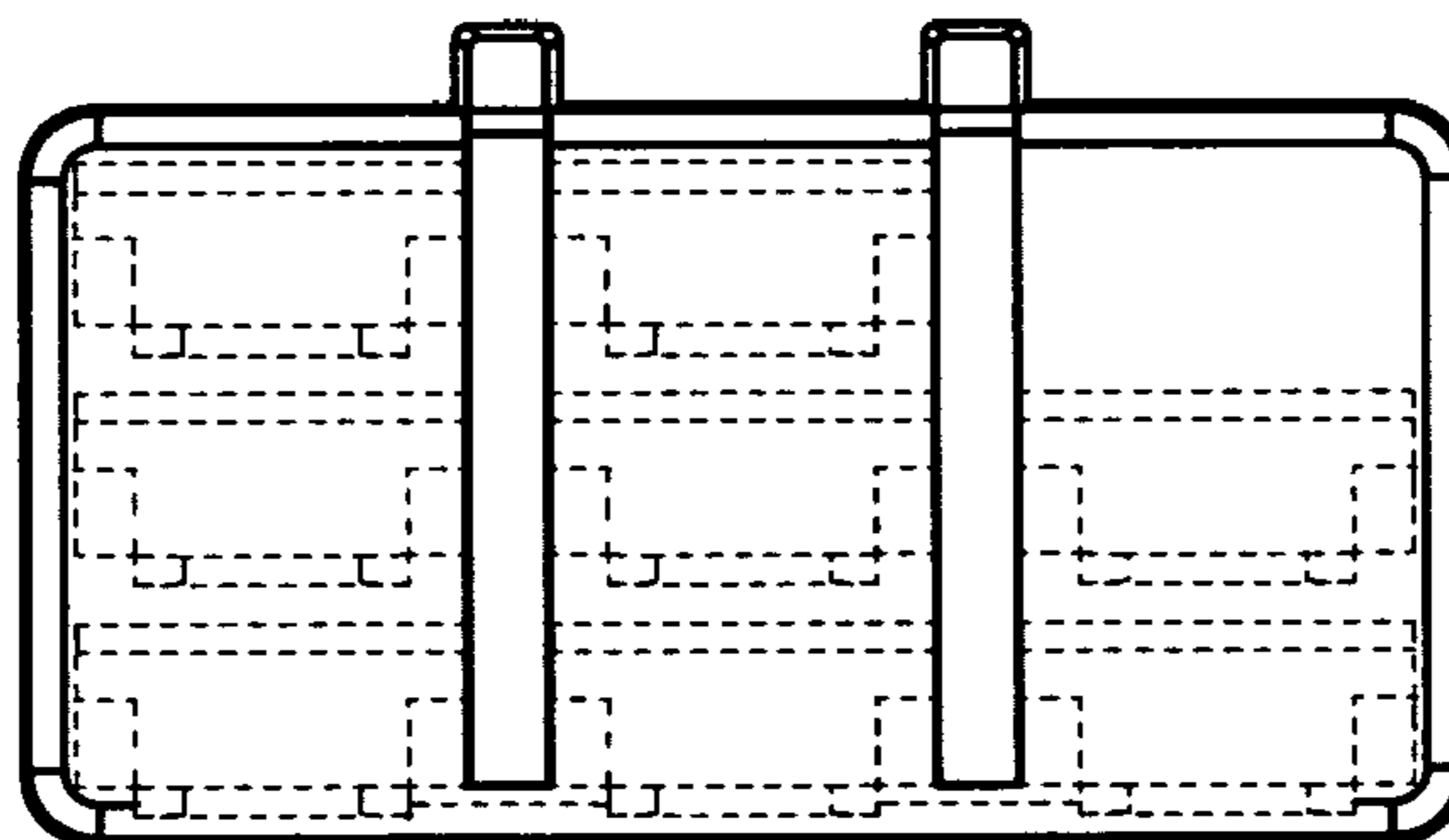


Fig.4

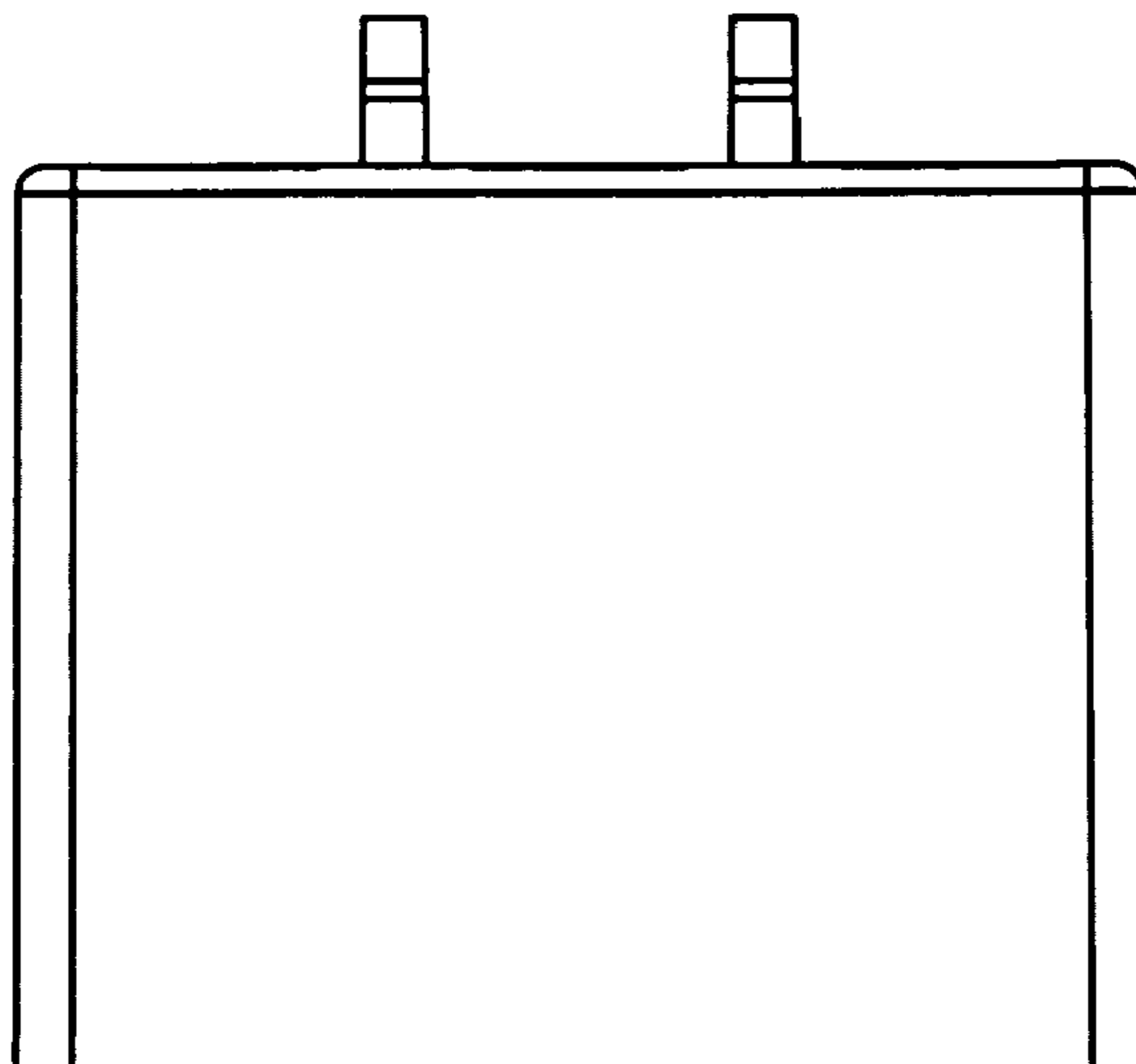


Fig.5

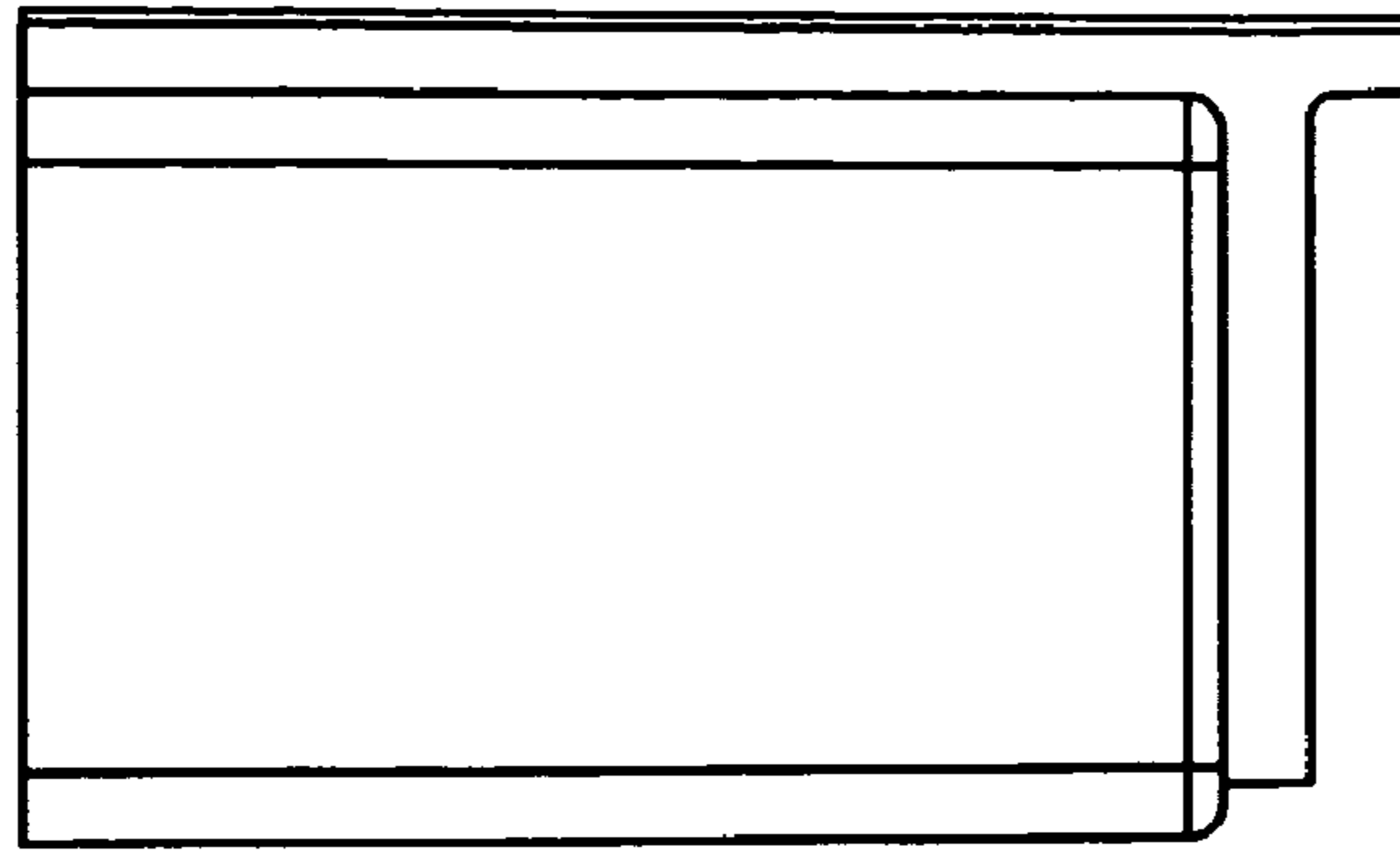


Fig.6

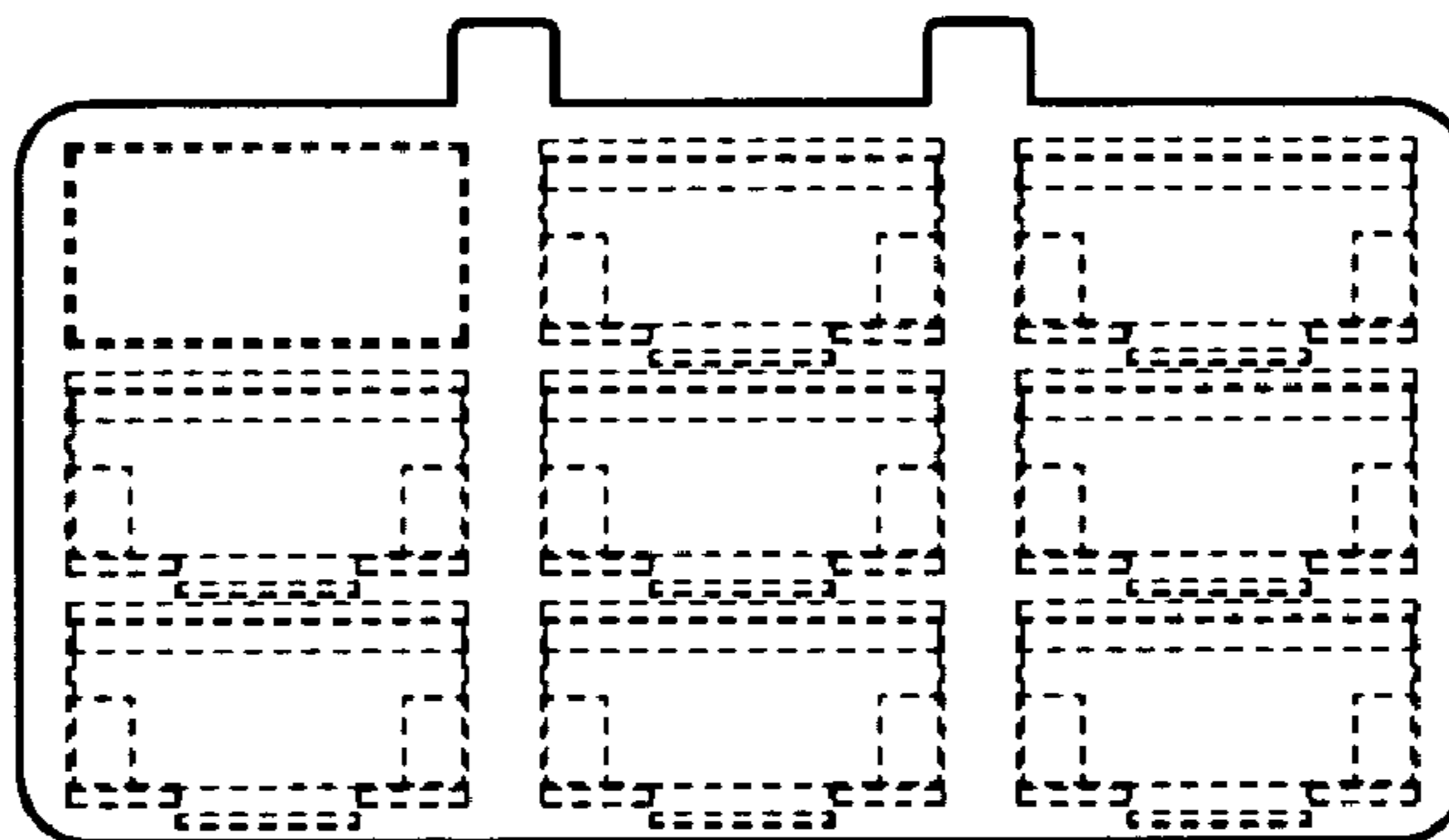
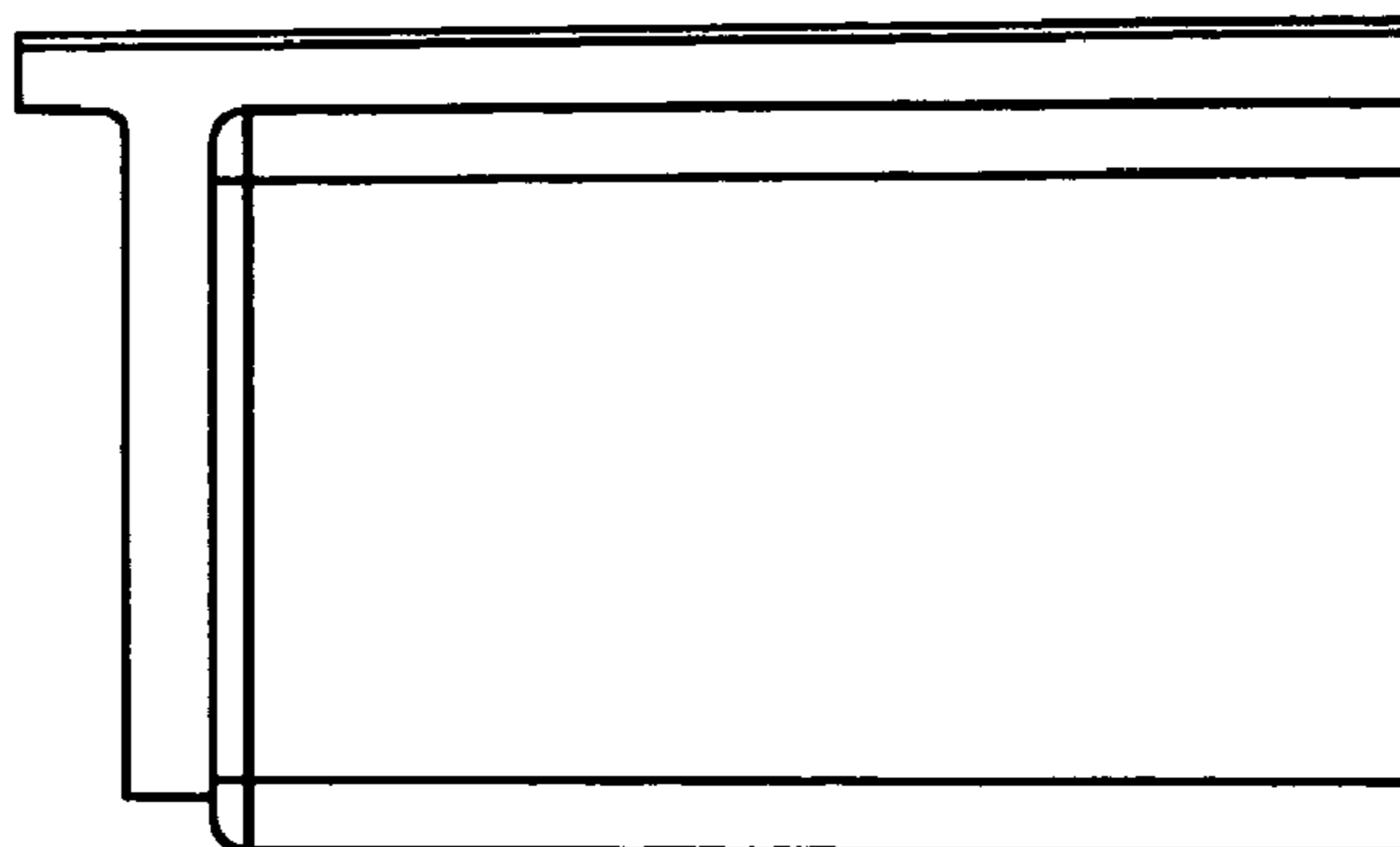


Fig.7



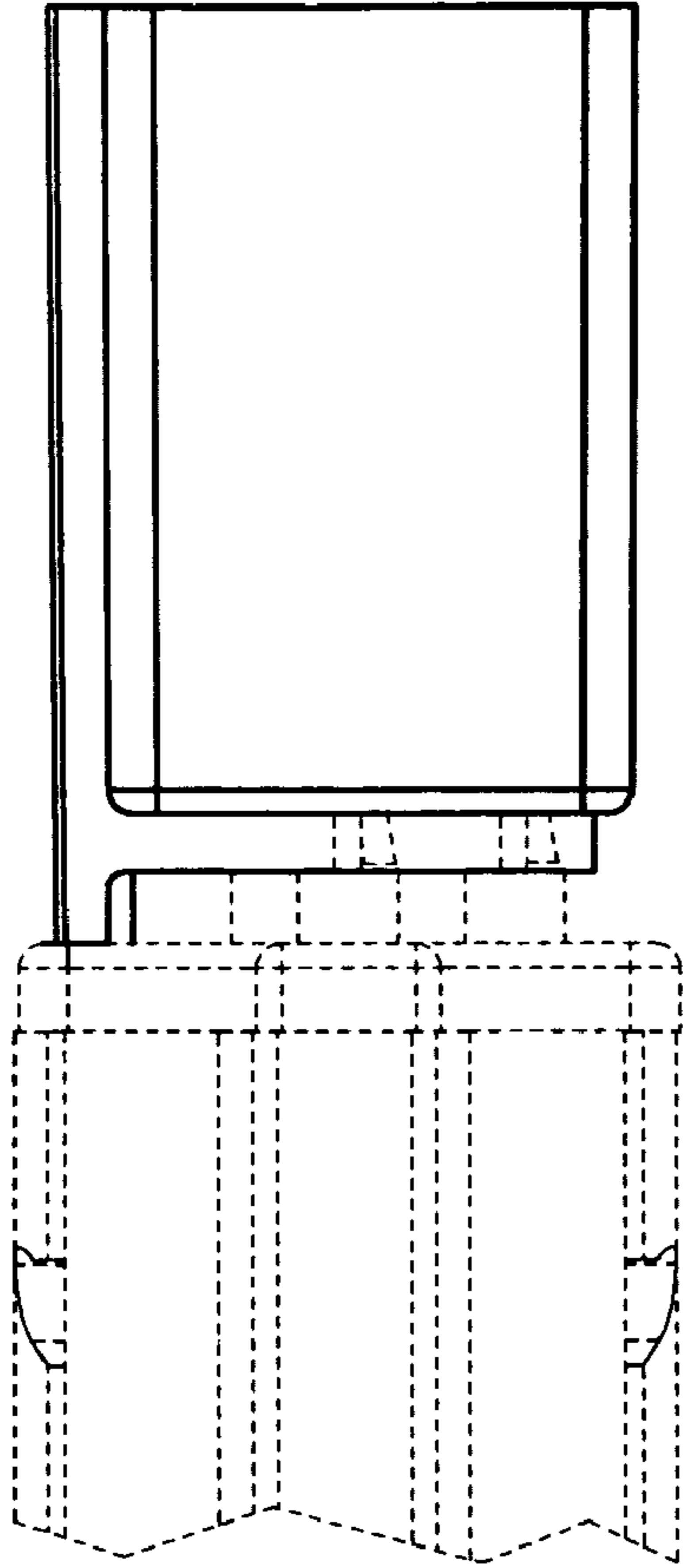


Fig.8

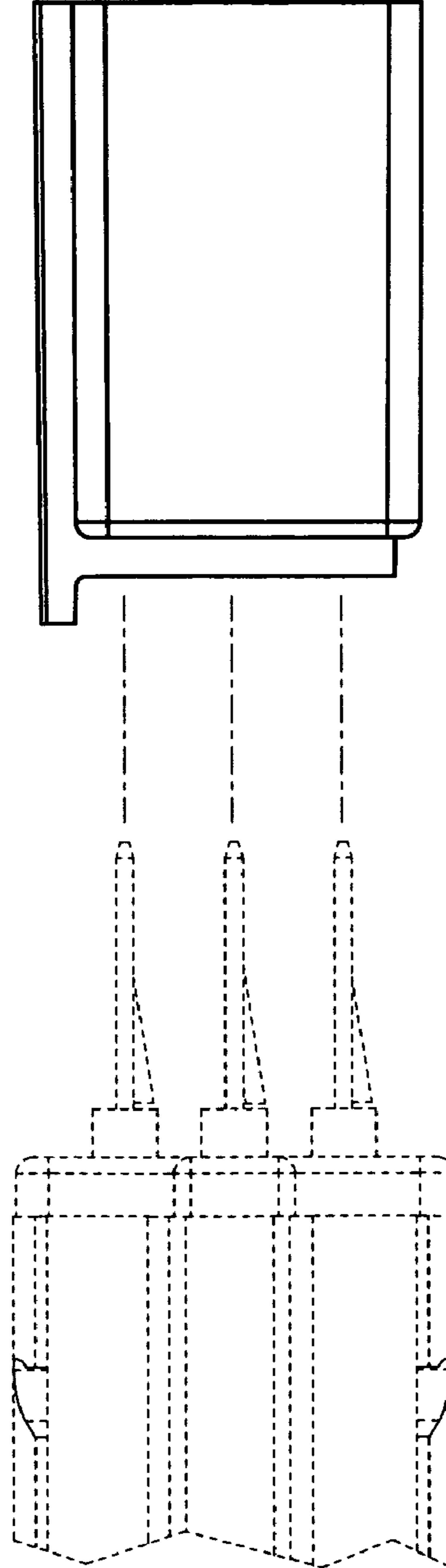


Fig.9