



US00D597961S

(12) **United States Design Patent**  
**Stirling**

(10) **Patent No.:** **US D597,961 S**

(45) **Date of Patent:** **\*\* \*Aug. 11, 2009**

(54) **CONNECTOR**

(75) **Inventor:** **Andrew Christopher Stirling**, Phoenix,  
AZ (US)

(73) **Assignee:** **iGo, Inc.**, Scottsdale, AZ (US)

(\*) **Notice:** This patent is subject to a terminal disclaimer.

(\*\*) **Term:** **14 Years**

(21) **Appl. No.:** **29/265,441**

(22) **Filed:** **Aug. 31, 2006**

(51) **LOC (9) Cl.** ..... **13-03**

(52) **U.S. Cl.** ..... **D13/154**

(58) **Field of Classification Search** ..... D13/133,  
D13/146-147, 154, 184; 439/262, 344, 347,  
439/378, 380, 607-610, 660, 680, 682, 892  
See application file for complete search history.

(56) **References Cited**

**U.S. PATENT DOCUMENTS**

D506,981 S *	7/2005	Lord	.....	D13/147
D507,536 S *	7/2005	Lord	.....	D13/147
D507,537 S *	7/2005	Lord	.....	D13/147
D508,022 S *	8/2005	Lord	.....	D13/147
D508,678 S *	8/2005	Lord	.....	D13/147

D510,070 S *	9/2005	Lord	.....	D13/147
6,976,885 B2 *	12/2005	Lord	.....	439/680
D517,012 S *	3/2006	Lord	.....	D13/147
D530,281 S *	10/2006	Lord	.....	D13/147
2005/0197018 A1 *	9/2005	Lord	.....	439/680
2007/0099519 A1 *	5/2007	Lord	.....	439/680

\* cited by examiner

*Primary Examiner*—Daniel D Bui

(74) *Attorney, Agent, or Firm*—Snell & Wilmer, LLP.

(57) **CLAIM**

The ornamental design for a connector, as shown and described.

**DESCRIPTION**

FIG. 1 is a perspective view of a connector showing my new design;

FIG. 2 is a frontal elevational view thereof;

FIG. 3 is a top plan view thereof;

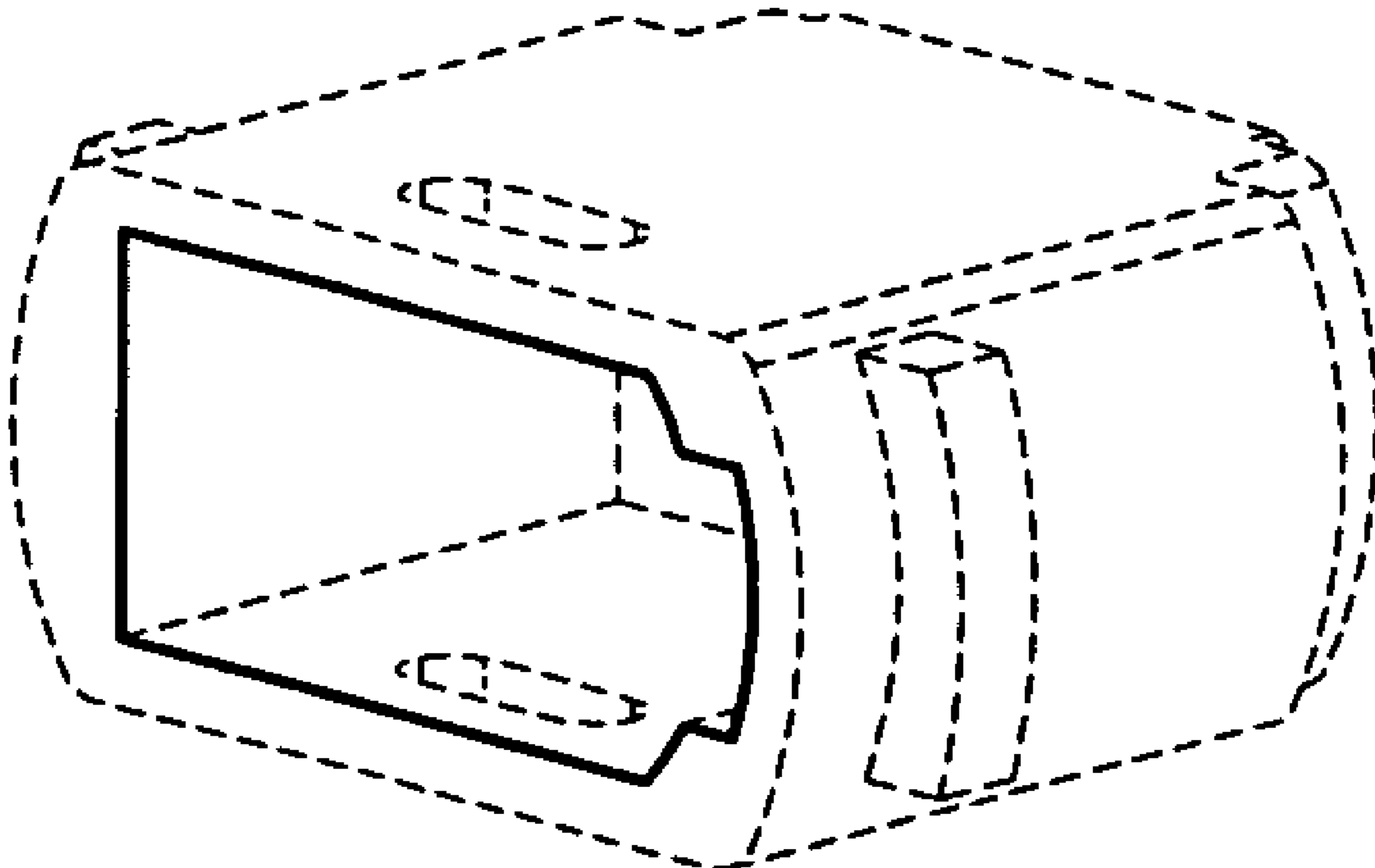
FIG. 4 is a bottom plan view thereof;

FIG. 5 is a right side view thereof; and,

FIG. 6 is a left side view thereof.

The connector portion shown in broken lines is for illustrative purposes only and forms no part of the claimed design.

**1 Claim, 1 Drawing Sheet**



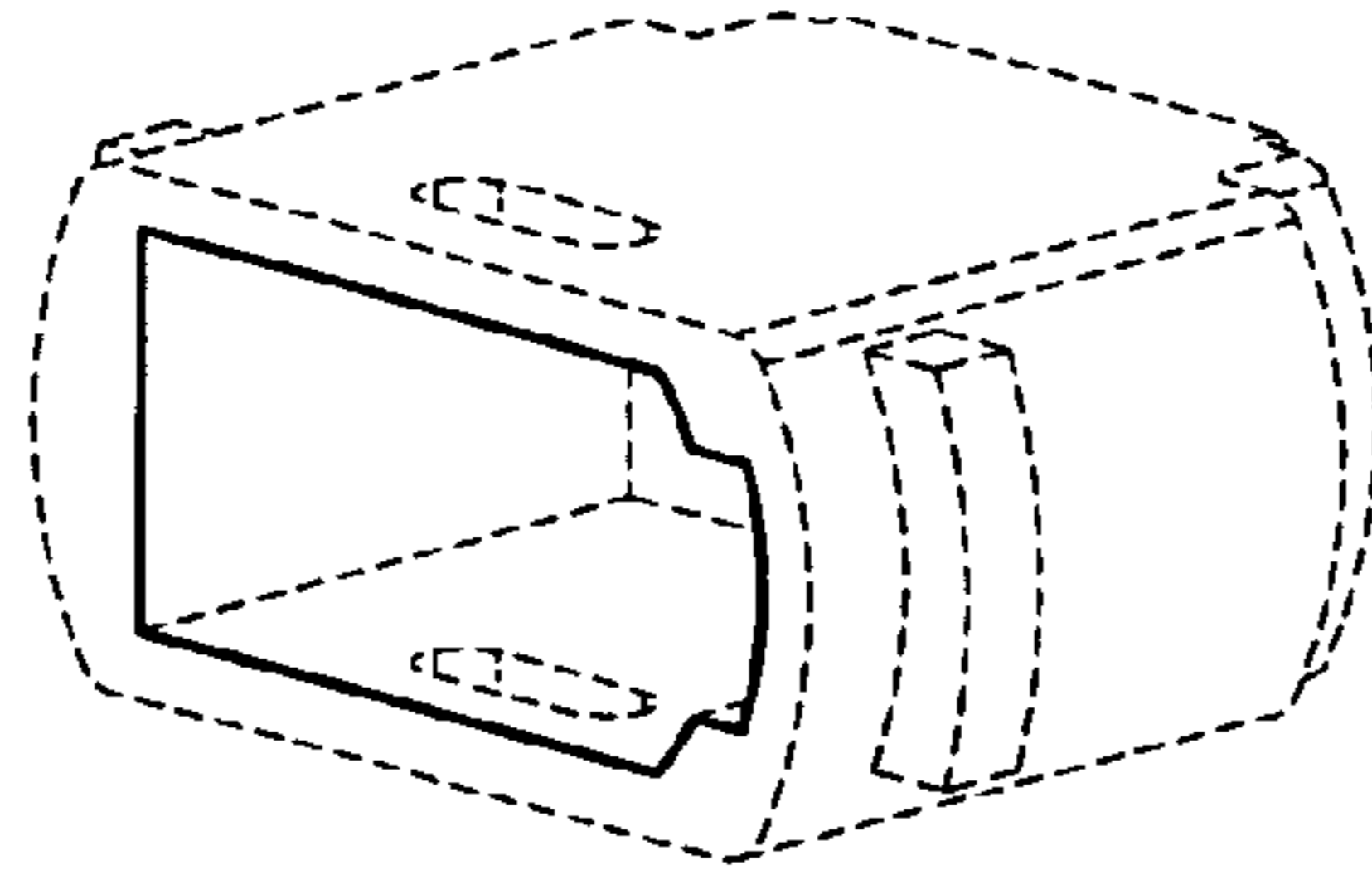


FIG. 1

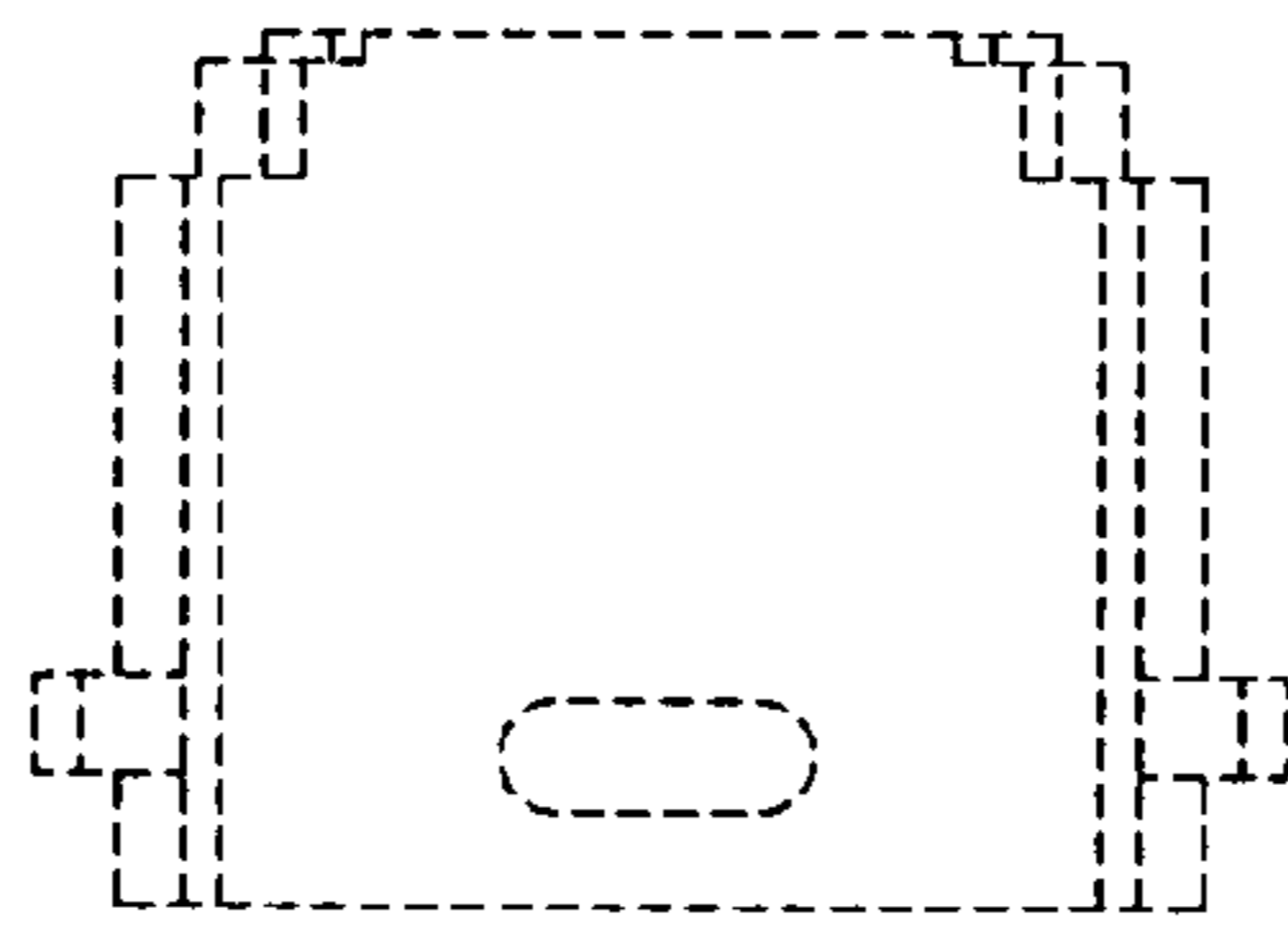


FIG. 3

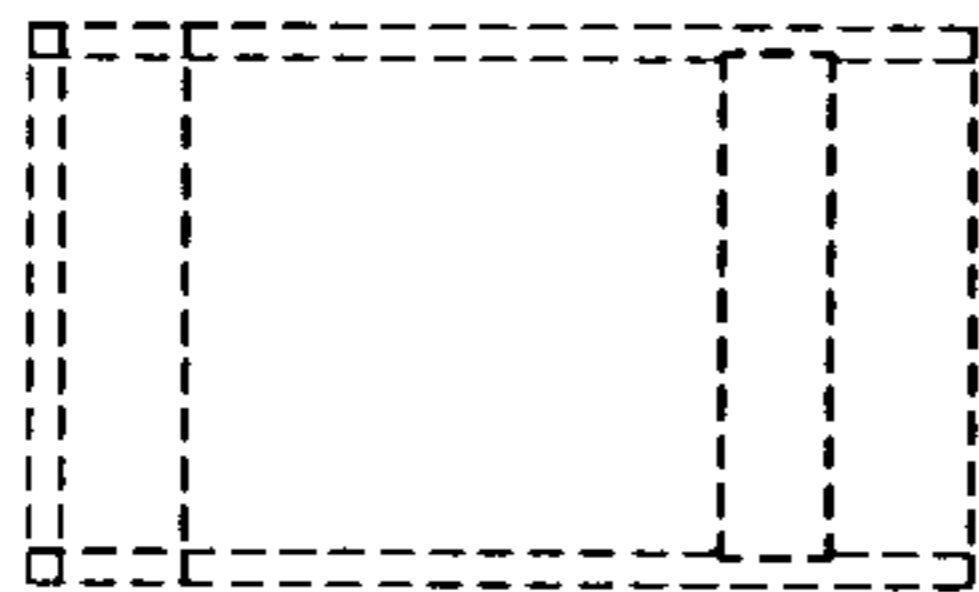


FIG. 6

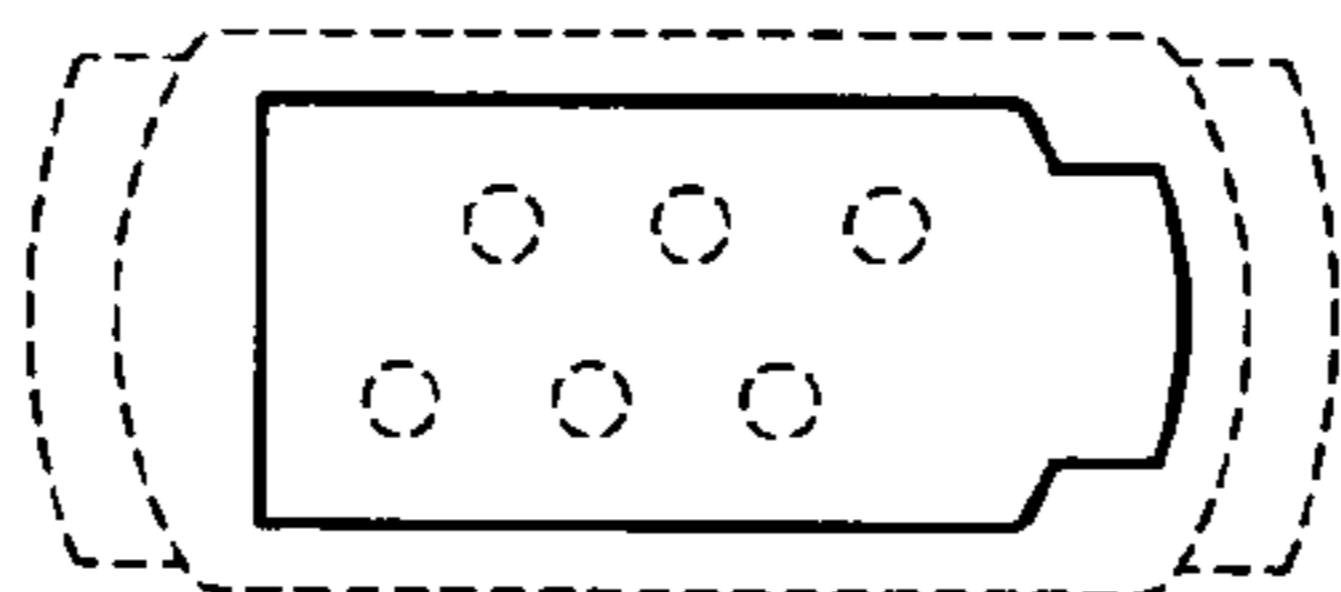


FIG. 2

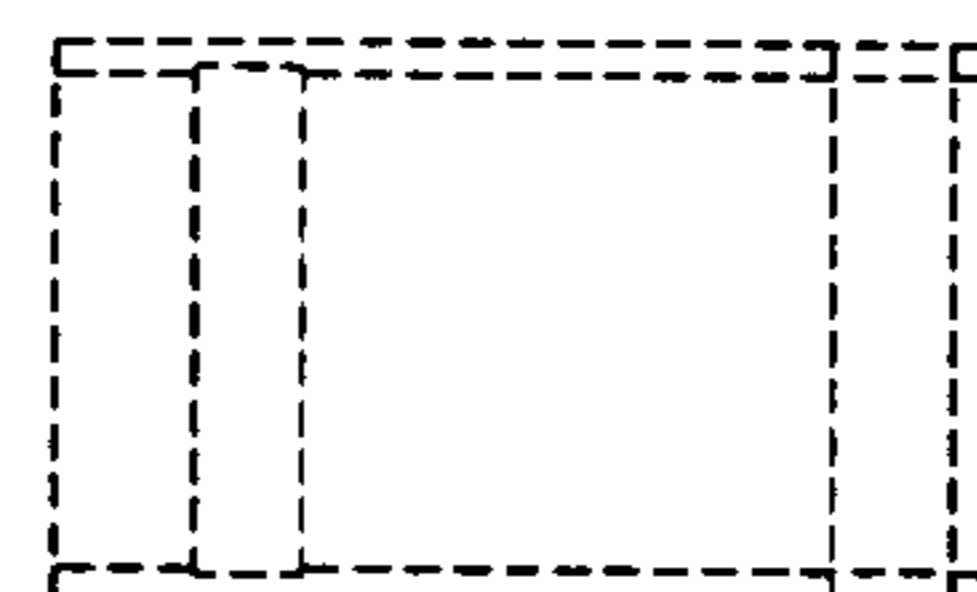


FIG. 5

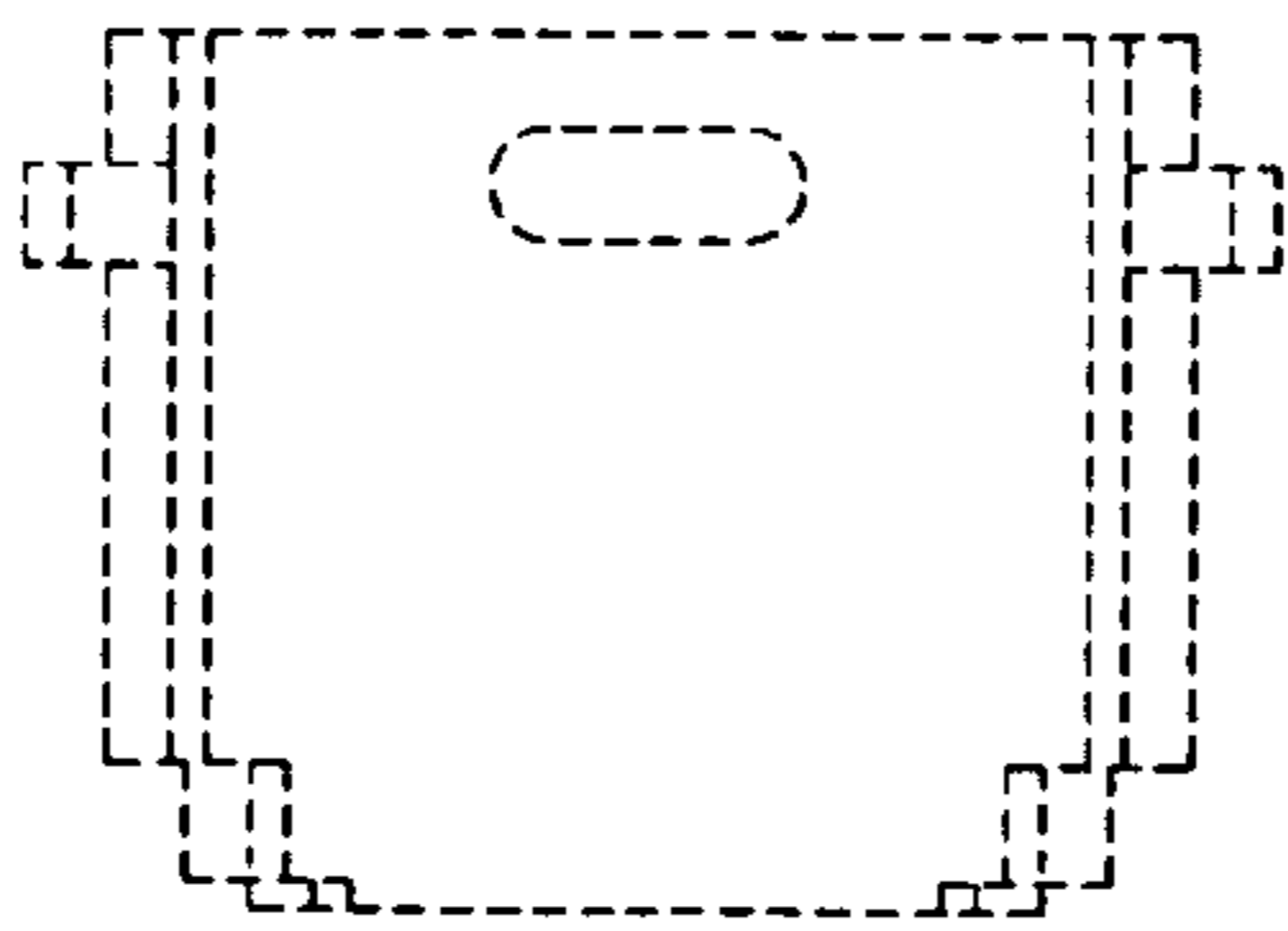


FIG. 4