



US00D597960S

(12) **United States Design Patent**
Dinh et al.

(10) **Patent No.:** **US D597,960 S**

(45) **Date of Patent:** **** Aug. 11, 2009**

(54) **OUTLET BOX ASSEMBLY**

4,721,476 A 1/1988 Zeliff et al.
4,758,687 A 7/1988 Lanthrop

(75) Inventors: **Cong Thanh Dinh**, Collierville, TN
(US); **Robert K. Jolly**, Cordova, TN
(US)

(Continued)

(73) Assignee: **Thomas & Betts International, Inc.**,
Wilmington, DE (US)

Primary Examiner—Cathron Brooks
Assistant Examiner—Rosemary K Tarcza
(74) *Attorney, Agent, or Firm*—Hoffmann & Baron, LLP

(**) Term: **14 Years**

(57) **CLAIM**

(21) Appl. No.: **29/289,767**

The ornamental design for the outlet box assembly, as shown and described.

(22) Filed: **Jul. 31, 2007**

DESCRIPTION

(51) **LOC (9) Cl.** **13-03**

FIG. 1 is a top perspective view of an outlet box assembly of the present invention.

(52) **U.S. Cl.** **D13/152**

FIG. 2 is a first side perspective view of the outlet box assembly of FIG. 1.

(58) **Field of Classification Search** D13/139.4,
D13/152, 156, 184; 174/50, 53–55, 58, 60,
174/66, 67; 220/3.2, 3.3, 3.7–3.9, 241, 242,
220/244, 315; 439/135, 136, 138, 142, 367,
439/373, 535, 536, 537, 541, 892, 938

FIG. 3 is a second side perspective view of the outlet box assembly FIG. 1.

See application file for complete search history.

FIG. 4 is an elevational first end view of the outlet box assembly FIG. 1.

(56) **References Cited**

FIG. 5 is an elevational second end view of the outlet box assembly of FIG. 1.

U.S. PATENT DOCUMENTS

FIG. 6 is elevational first side view of the outlet box assembly of FIG. 1.

1,775,654 A *	9/1930	Myers	38/142
2,272,846 A	2/1942	Lindstrom	
2,757,817 A	8/1956	Egan	
2,828,394 A	3/1958	Mayzik	
2,916,733 A	12/1959	Hirsch	
3,334,770 A *	8/1967	Stanback	220/326
3,530,230 A	9/1970	Comier et al.	
4,059,327 A	11/1977	Vann	
4,443,654 A	4/1984	Flachbarth et al.	
4,451,108 A	5/1984	Skidmore	
4,599,485 A	7/1986	Smolik	
4,613,728 A	9/1986	Lanthrop	

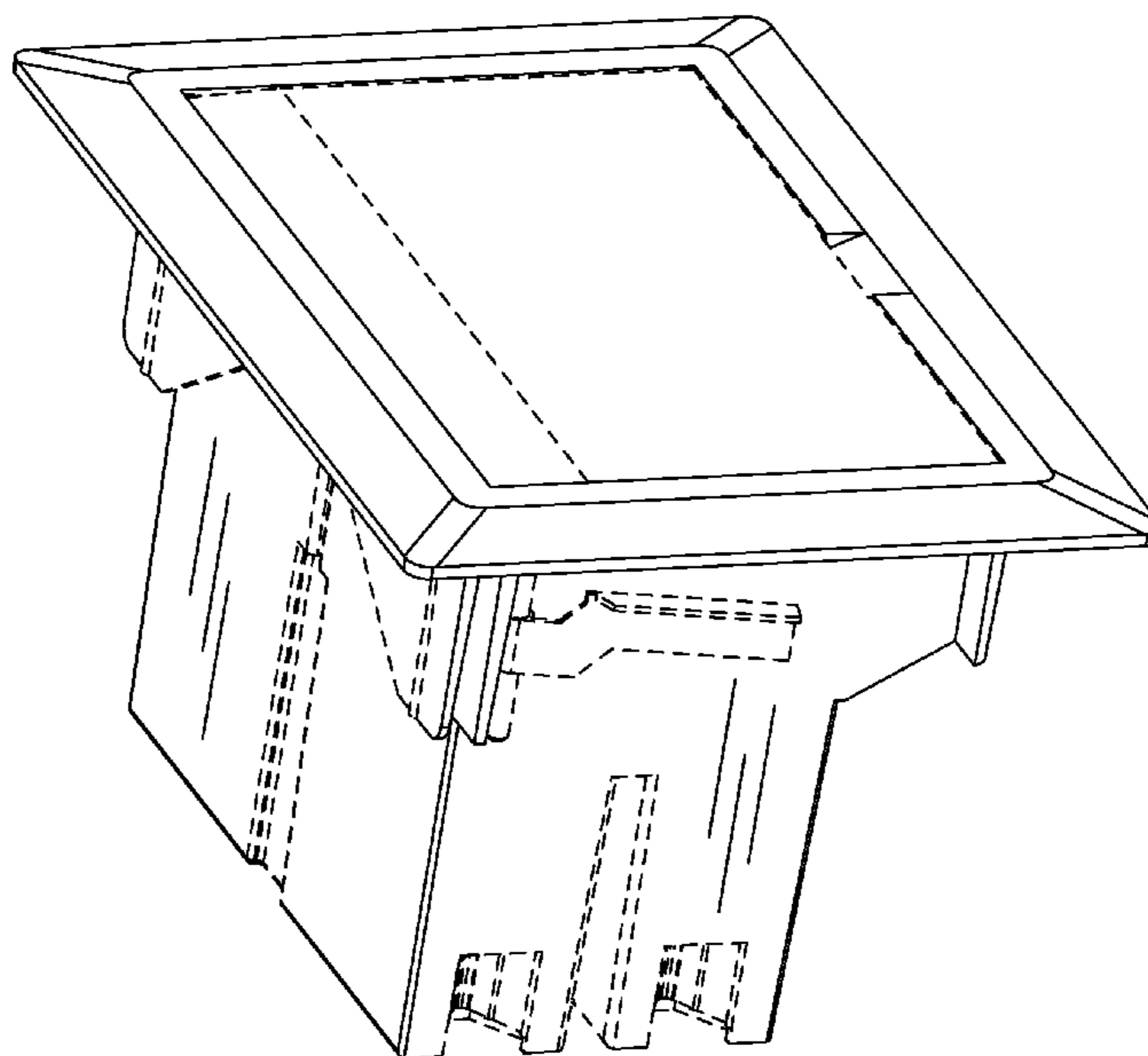
FIG. 7 is elevational second side view of the outlet box assembly of FIG. 1.

FIG. 8 is top plan view of the outlet box assembly of FIG. 1; and,

FIG. 9 is a bottom plan view of the outlet box assembly of FIG. 1.

The features shown in broken lines are for exemplary purposes only and form no part of the claimed invention.

1 Claim, 9 Drawing Sheets



US D597,960 S

Page 2

U.S. PATENT DOCUMENTS								
4,778,399	A	10/1988	Schenk	D463,376	S	9/2002	Roesch et al.	
D308,464	S	6/1990	Freeman et al.	D467,229	S	12/2002	Heggem	
5,114,365	A	5/1992	Thompson et al.	6,570,091	B1	5/2003	Kesler et al.	
5,117,122	A	5/1992	Hogarth et al.	D478,553	S	8/2003	Heggem	
D343,825	S	2/1994	Enderby	6,737,576	B1 *	5/2004	Dinh	174/50
D348,870	S	7/1994	Warrington	D495,301	S	8/2004	Newell	
5,419,716	A	5/1995	Sciammarella et al.	6,965,078	B1	11/2005	Gretz	
5,486,650	A	1/1996	Yetter	7,005,578	B2	2/2006	Gretz	
5,574,256	A	11/1996	Cottone	7,009,111	B1	3/2006	Rintz	
5,596,174	A	1/1997	Sapienza	7,057,105	B2	6/2006	Gottardo et al.	
5,598,998	A	2/1997	Lynn	7,078,618	B2	7/2006	Dinh	
D419,966	S *	2/2000	Mowery et al.	D527,984	S	9/2006	Dinh	
6,093,890	A	7/2000	Gretz	D545,276	S	6/2007	Dinh	
6,127,630	A	10/2000	McKenzie et al.	D556,145	S *	11/2007	Williams et al.	D13/152
6,147,304	A	11/2000	Doherty	D559,788	S	1/2008	Dinh	
D437,586	S *	2/2001	Sonntag	D559,789	S	1/2008	Dinh	
6,194,657	B1	2/2001	Gretz	2003/0178421	A1	9/2003	Almond	
6,200,159	B1	3/2001	Chou	2004/0238197	A1	12/2004	Gates	
6,207,895	B1	3/2001	Engel	2005/0072778	A1	4/2005	Hull et al.	
6,222,124	B1	4/2001	Pritchard et al.	2006/0249306	A1	11/2006	Dinh et al.	
D461,455	S *	8/2002	Forbes	2007/0181328	A1 *	8/2007	Dinh	174/50
				2008/0017413	A1	1/2008	Dinh et al.	

* cited by examiner

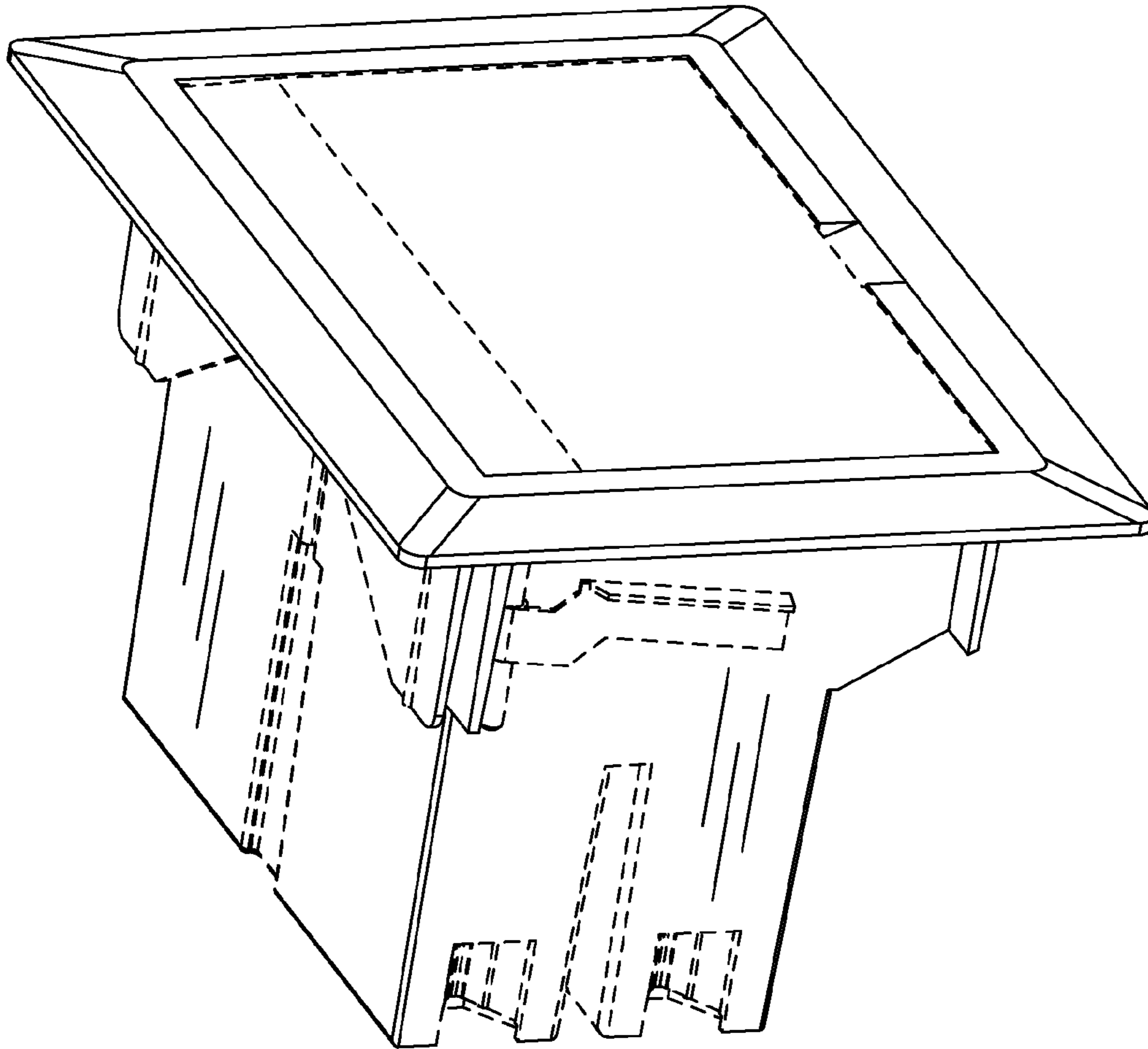


FIG. 1

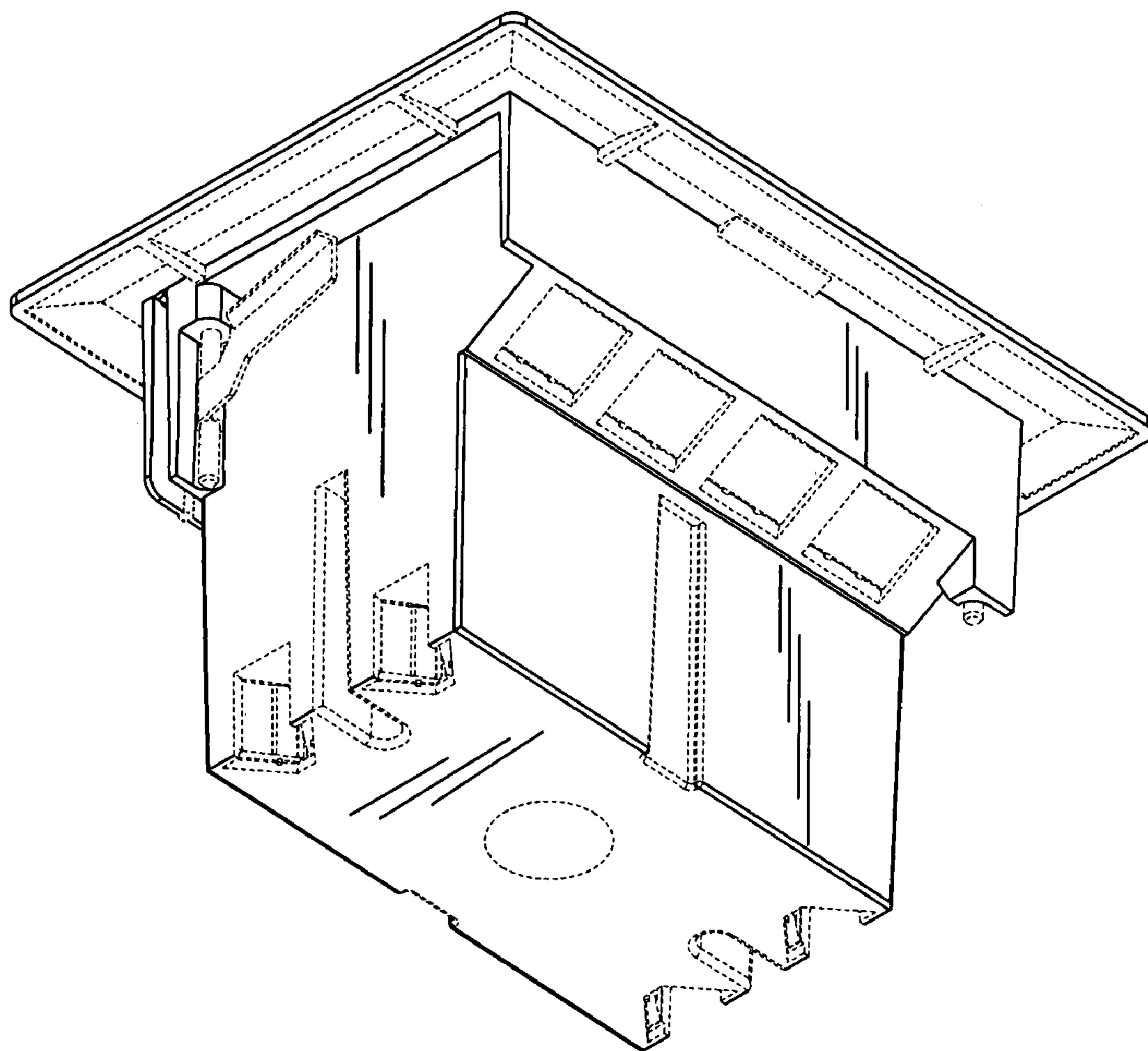


FIG. 2

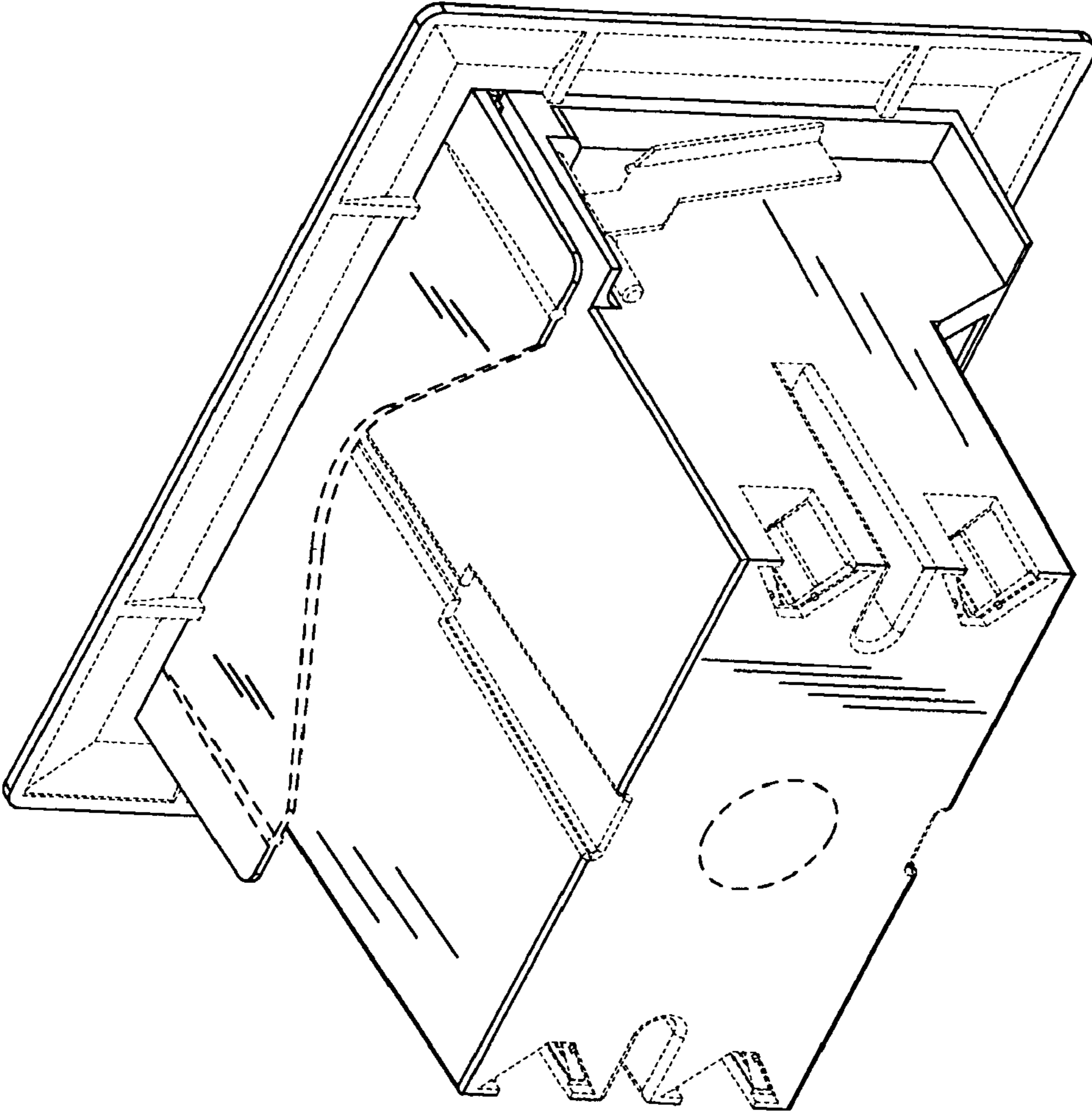


FIG. 3

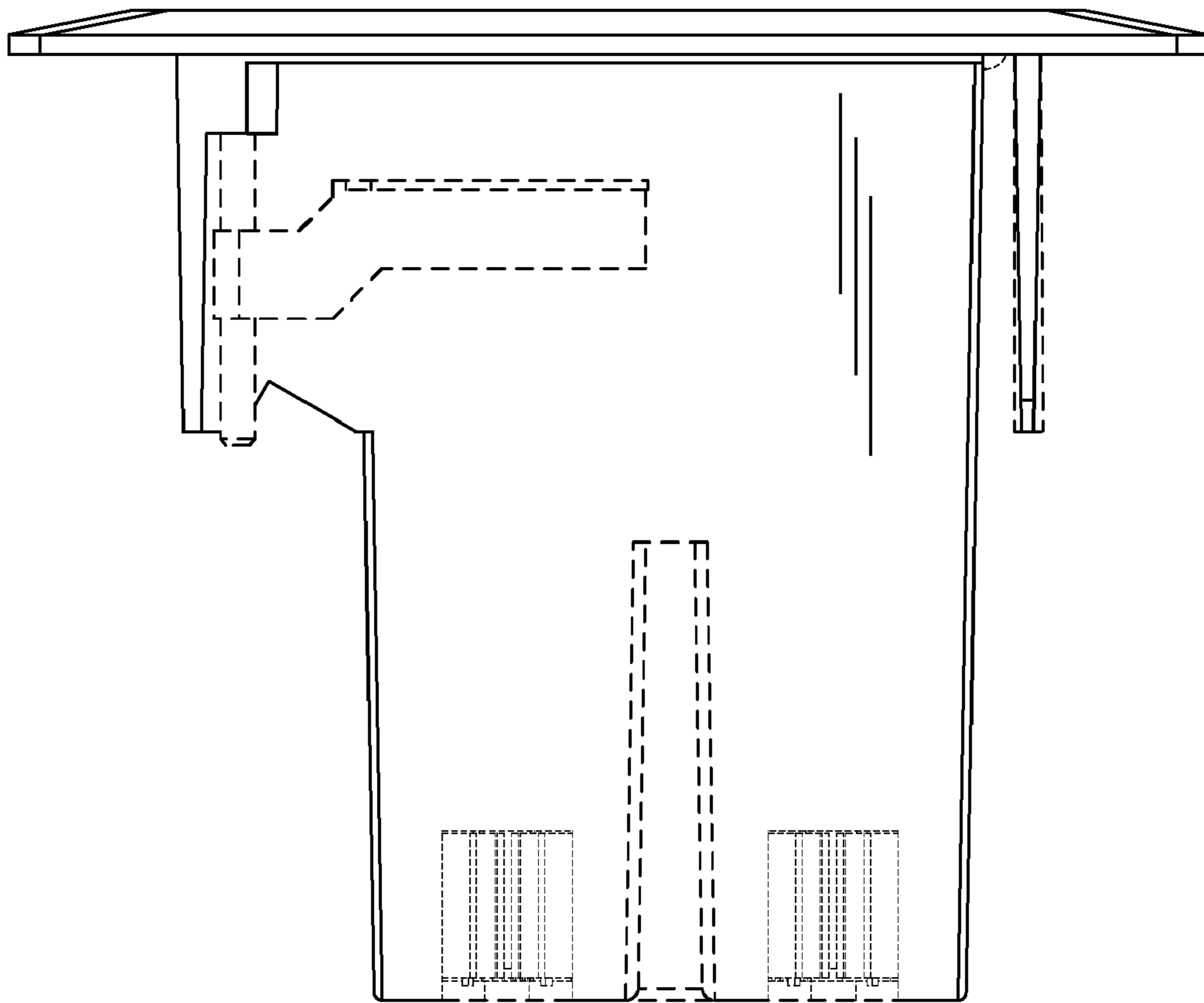


FIG. 4

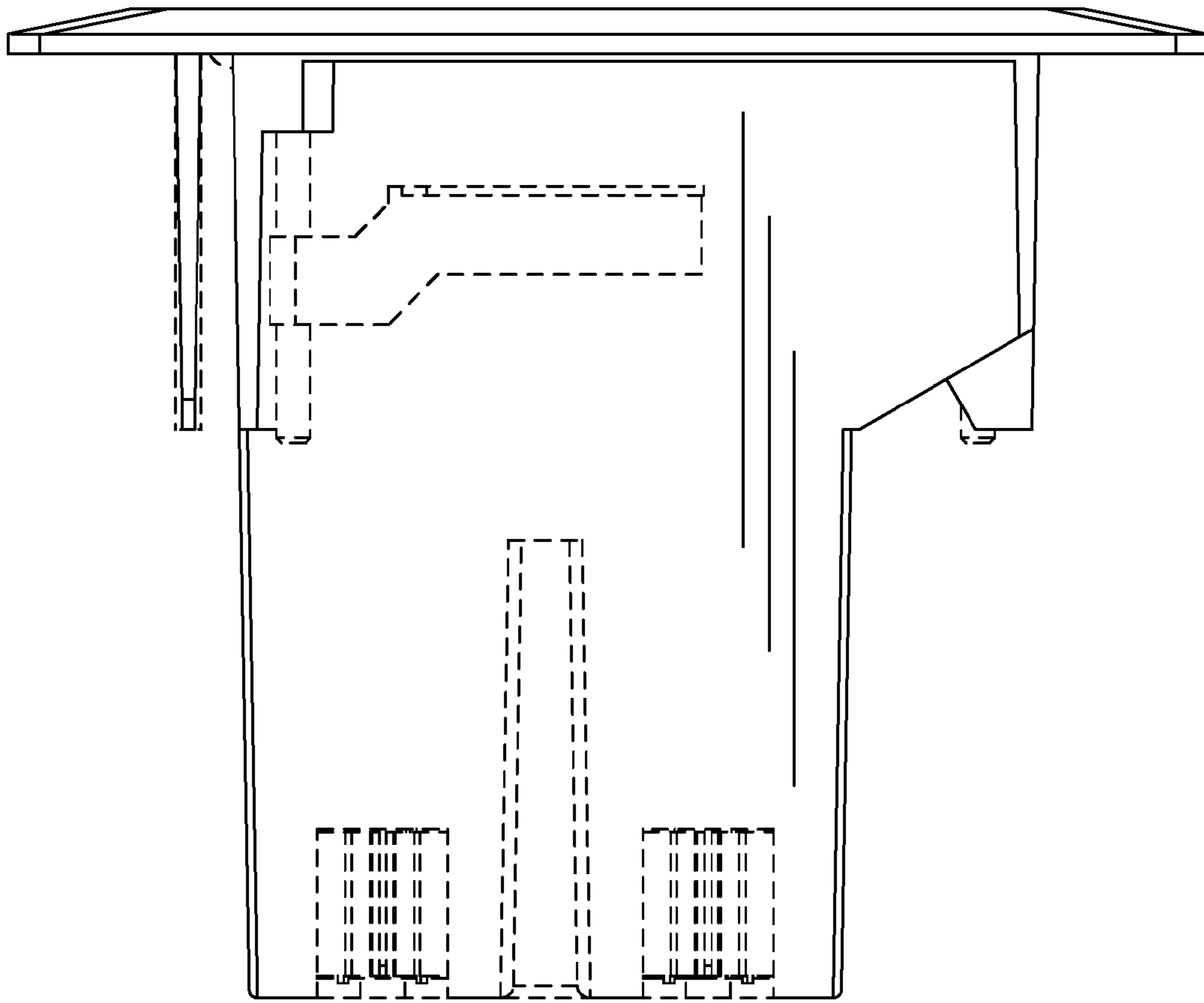


FIG. 5

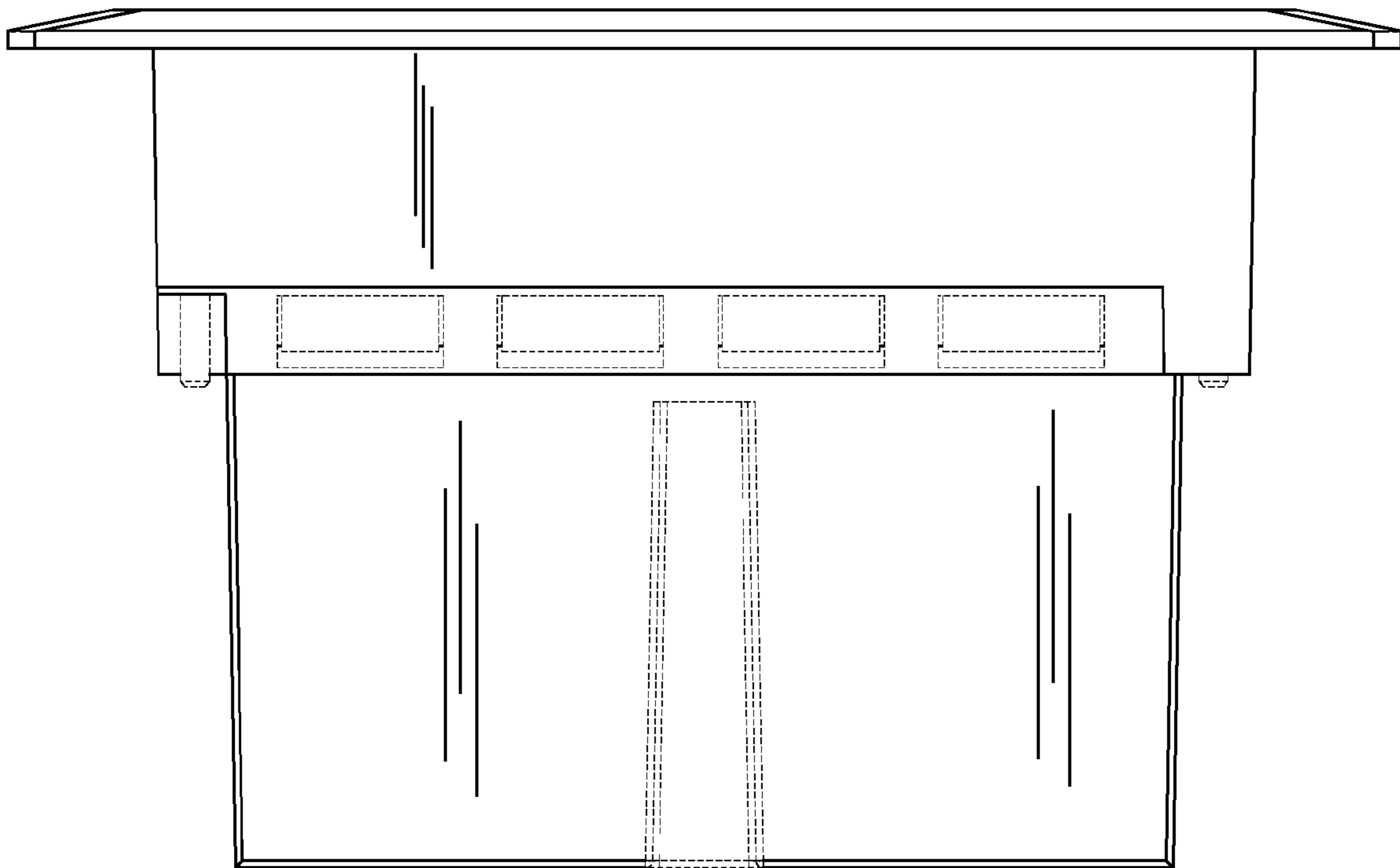


FIG. 6

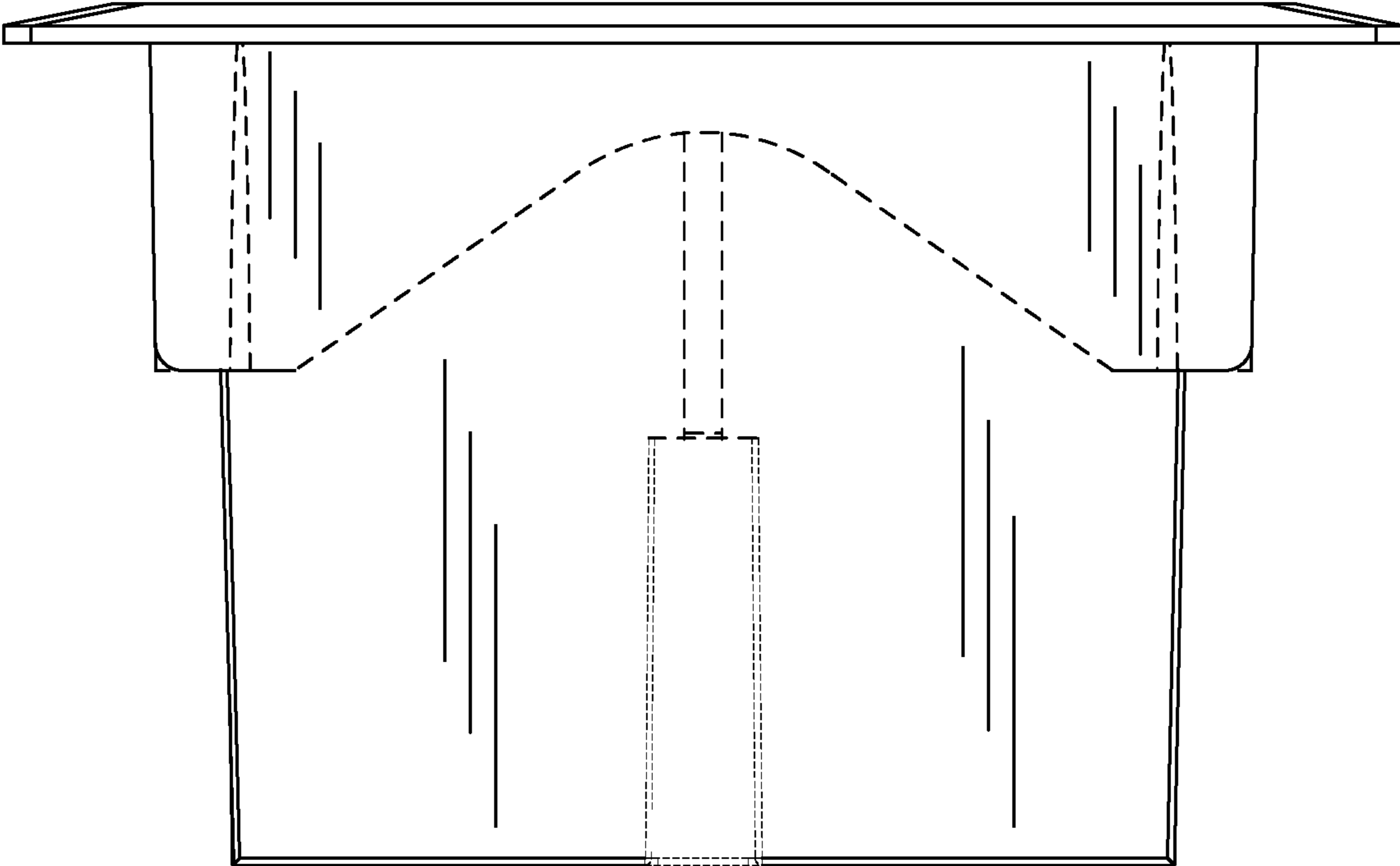


FIG. 7

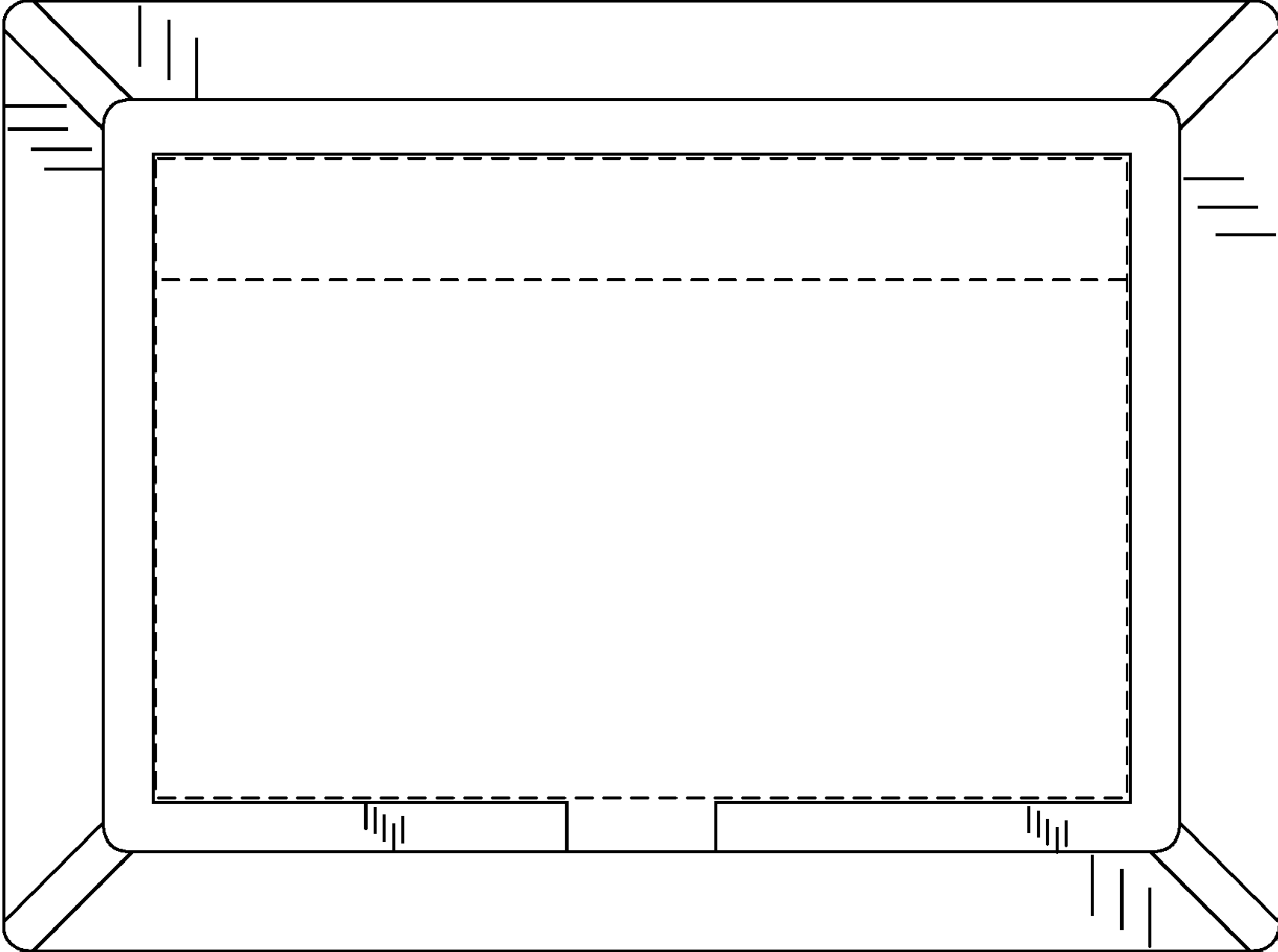


FIG. 8

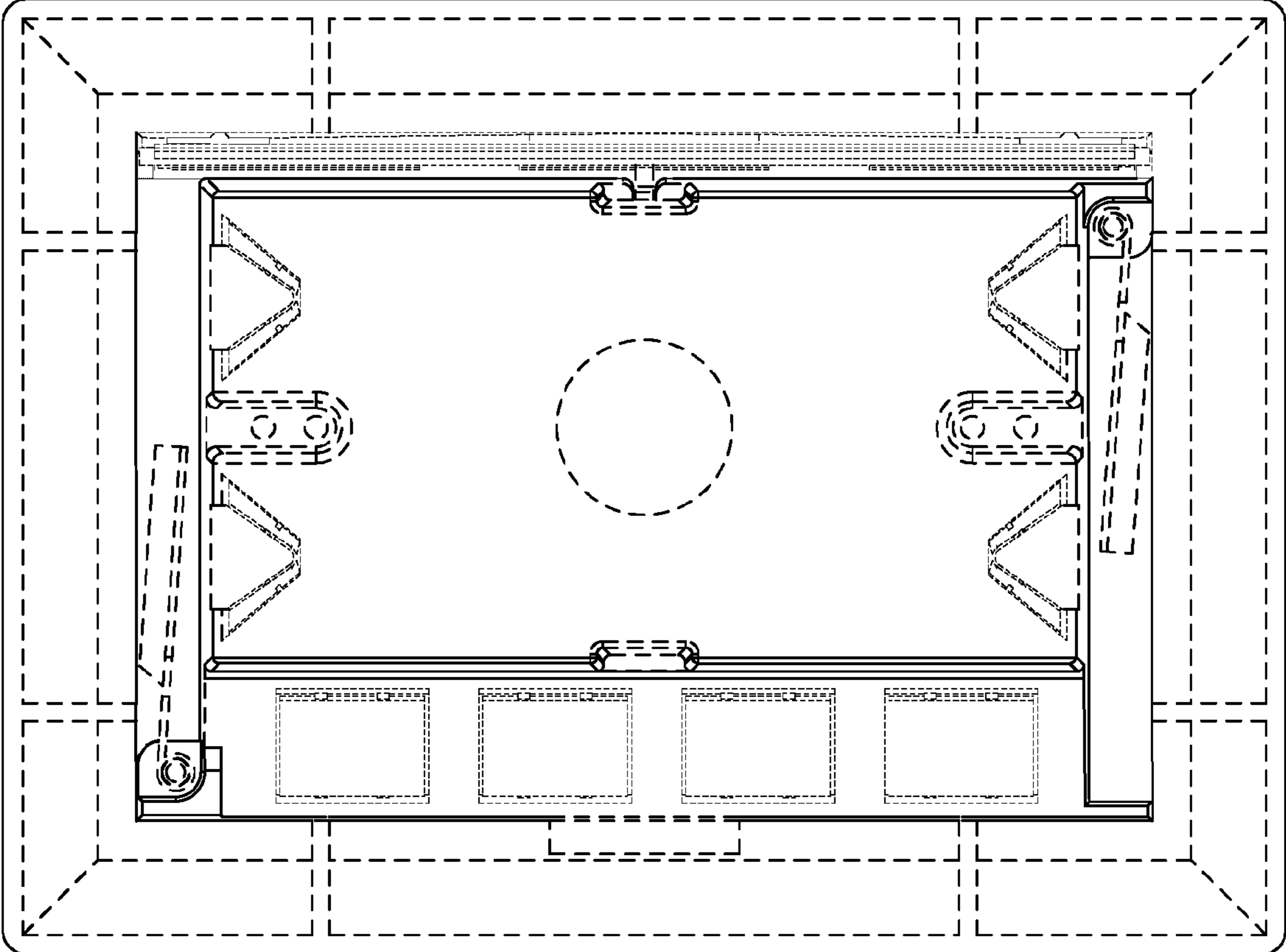


FIG. 9