



US00D597959S

(12) **United States Design Patent**
Malloy

(10) **Patent No.:** **US D597,959 S**
(45) **Date of Patent:** **** Aug. 11, 2009**

(54) **COAXIAL CABLE CONNECTOR**

(75) Inventor: **Allen L. Malloy**, Elmira Heights, NY
(US)

(73) Assignee: **Thomas & Betts International, Inc.**,
Wilmington, DE (US)

(**) Term: **14 Years**

(21) Appl. No.: **29/308,029**

(22) Filed: **May 23, 2008**

(51) **LOC (9) Cl.** **13-03**

(52) **U.S. Cl.** **D13/151**

(58) **Field of Classification Search** D13/133,
D13/149, 153, 154, 156, 184, 199; 439/133,
439/321, 322, 578, 583, 584, 585, 668; 411/7,
411/11; 426/507; 28/828; 307/10.1; 333/81 A
See application file for complete search history.

(56) **References Cited**

U.S. PATENT DOCUMENTS

3,104,145 A	9/1963	Somerset	339/103
3,710,005 A	1/1973	French		
D223,991 S	12/1974	Smith et al.	D13/3
4,834,675 A	5/1989	Samchisen		
4,990,106 A	2/1991	Szegda		
5,002,503 A	3/1991	Campbell et al.		
5,501,616 A	3/1996	Holliday		
D371,342 S	7/1996	Lundback	213/151
6,153,830 A	11/2000	Montena		
D436,076 S	1/2001	Montena	D13/133
D437,826 S	2/2001	Montena	D13/133
D458,904 S	6/2002	Montena	D13/154
D460,739 S	7/2002	Fox	D13/154
D460,740 S	7/2002	Montena	D13/154
D460,946 S	7/2002	Montena	D13/154
D460,947 S	7/2002	Montena	D13/154
D460,948 S	7/2002	Montena	D13/154
D461,166 S	8/2002	Montena	D13/151
D461,167 S	8/2002	Montena	D13/154
D461,778 S	8/2002	Fox	D13/151
D462,058 S	8/2002	Montena	D13/151

D462,060 S	8/2002	Fox	D13/154
D475,975 S *	6/2003	Fox	D13/151
D505,391 S	5/2005	Rodrigues et al.	D13/151
D513,736 S *	1/2006	Fox	D13/151

(Continued)

OTHER PUBLICATIONS

Evolution Products—www.evolutionbb.com/
ShowProductsConnectors—Mar. 20, 2008, LRC—SNAP-N-SEAL-
“F” Series Male, Indoor Connectors—2001.

Primary Examiner—Daniel D Bui
Assistant Examiner—Thomas J Johannes
(74) *Attorney, Agent, or Firm*—G. Andrew Barger

(57) **CLAIM**

The ornamental design for a coaxial cable connector, as shown and described.

DESCRIPTION

FIG. 1 is a perspective view of the coaxial cable connector of the present invention.

FIG. 2 is a first elevational view of the coaxial cable connector of the present invention.

FIG. 3 is a second elevational view of the coaxial cable connector of the present invention.

FIG. 4 is a third elevational view of the coaxial cable connector of the present invention.

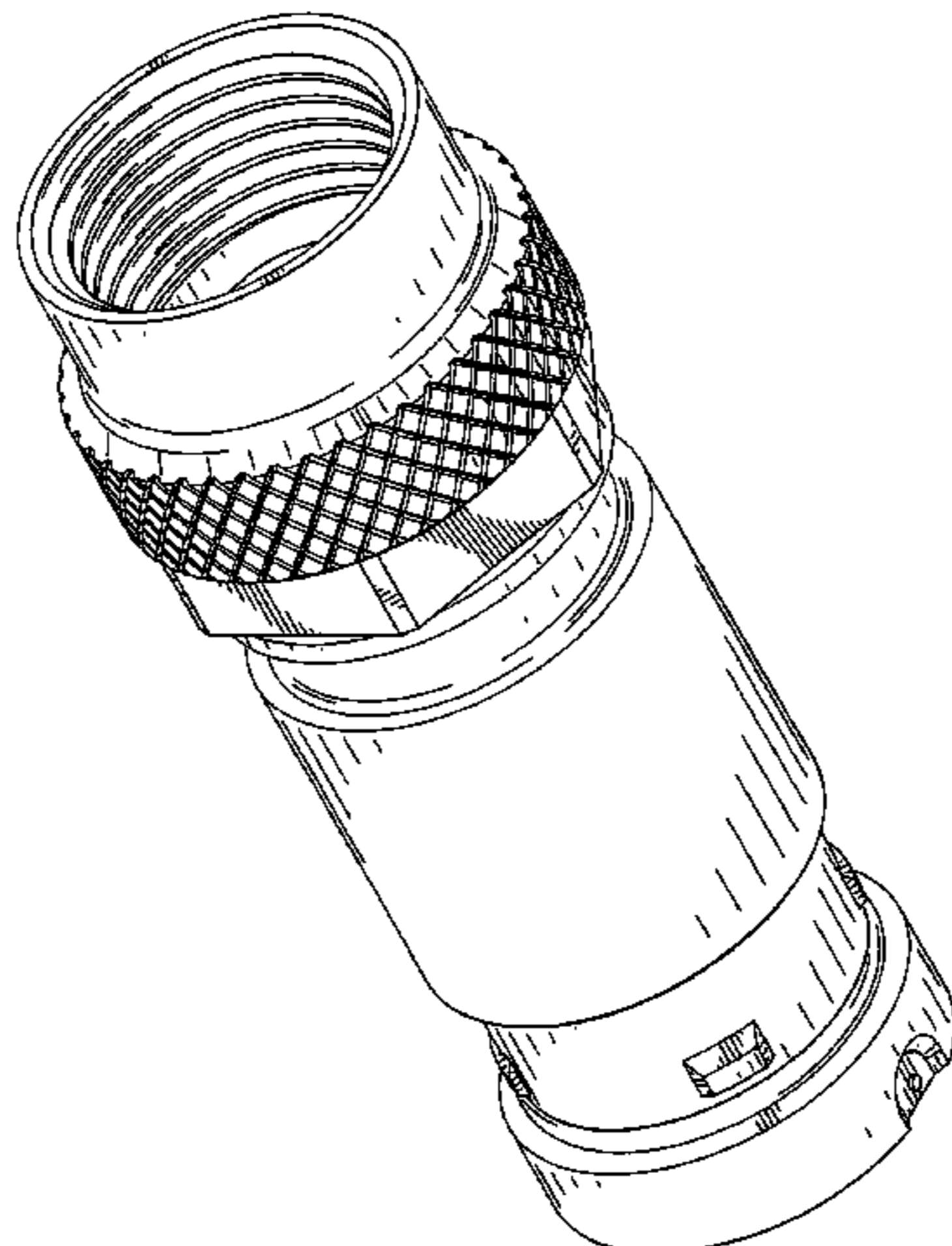
FIG. 5 is a fourth elevational view of the coaxial cable connector of the present invention.

FIG. 6 is a top plan view of the coaxial cable connector of the present invention; and,

FIG. 7 is a bottom plan view of the coaxial cable connector of the present invention

The broken line portion of the figure drawings is included to show unclaimed subject matter only and forms no part of the claimed design.

1 Claim, 6 Drawing Sheets



US D597,959 S

Page 2

U.S. PATENT DOCUMENTS

D514,071 S *	1/2006	Vahey	D13/154	D519,451 S *	4/2006	Fox	D13/133
D518,772 S *	4/2006	Fox	D13/133	D551,173 S *	9/2007	Rodrigues et al.	D13/154
D519,076 S *	4/2006	Fox	D13/133	2008/0171467 A1 *	7/2008	Amidon	439/578

* cited by examiner

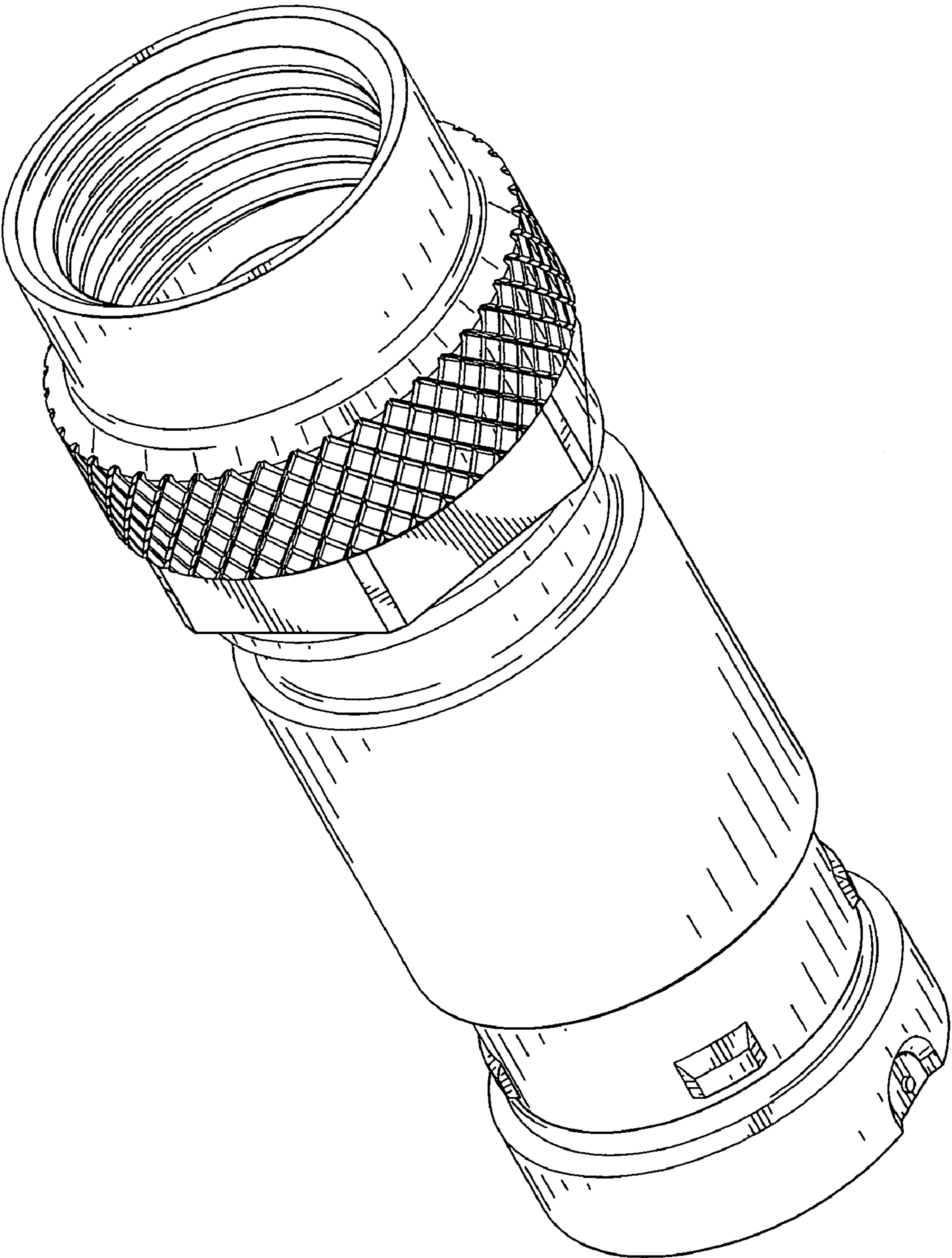


FIG. 1

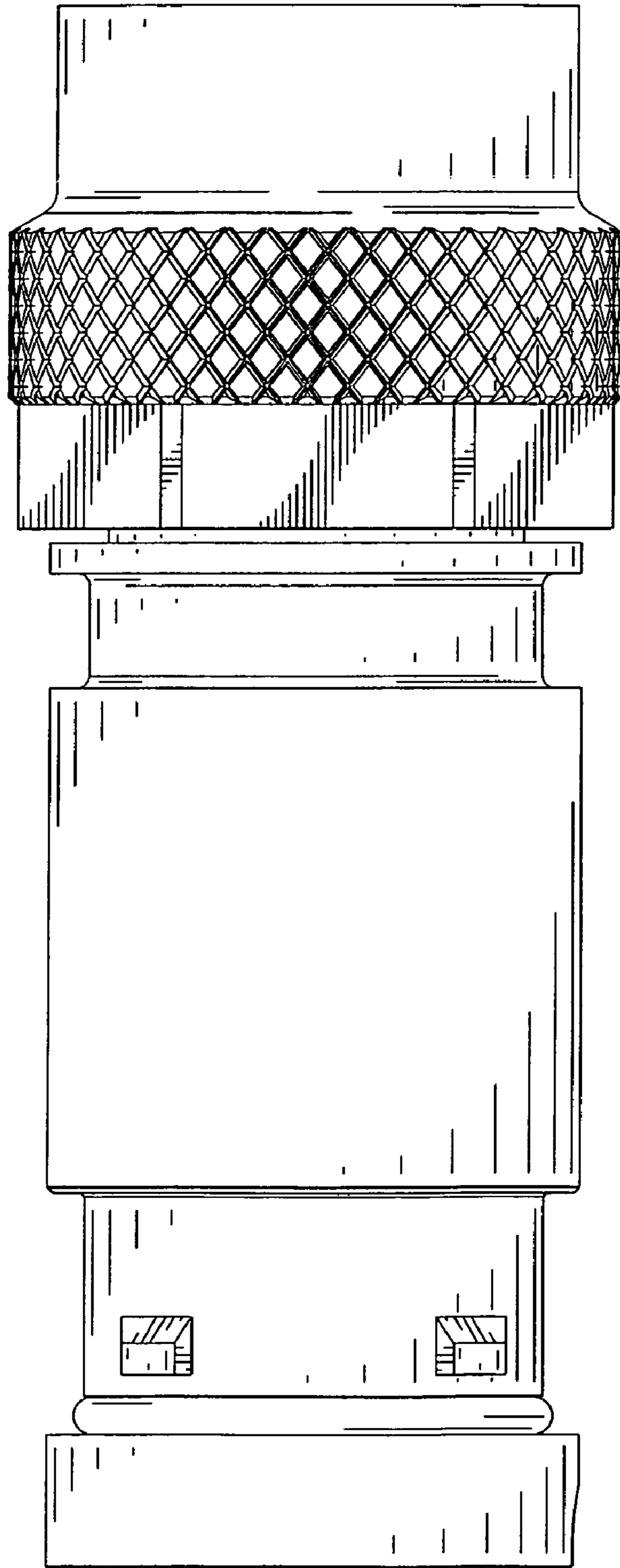


FIG. 2

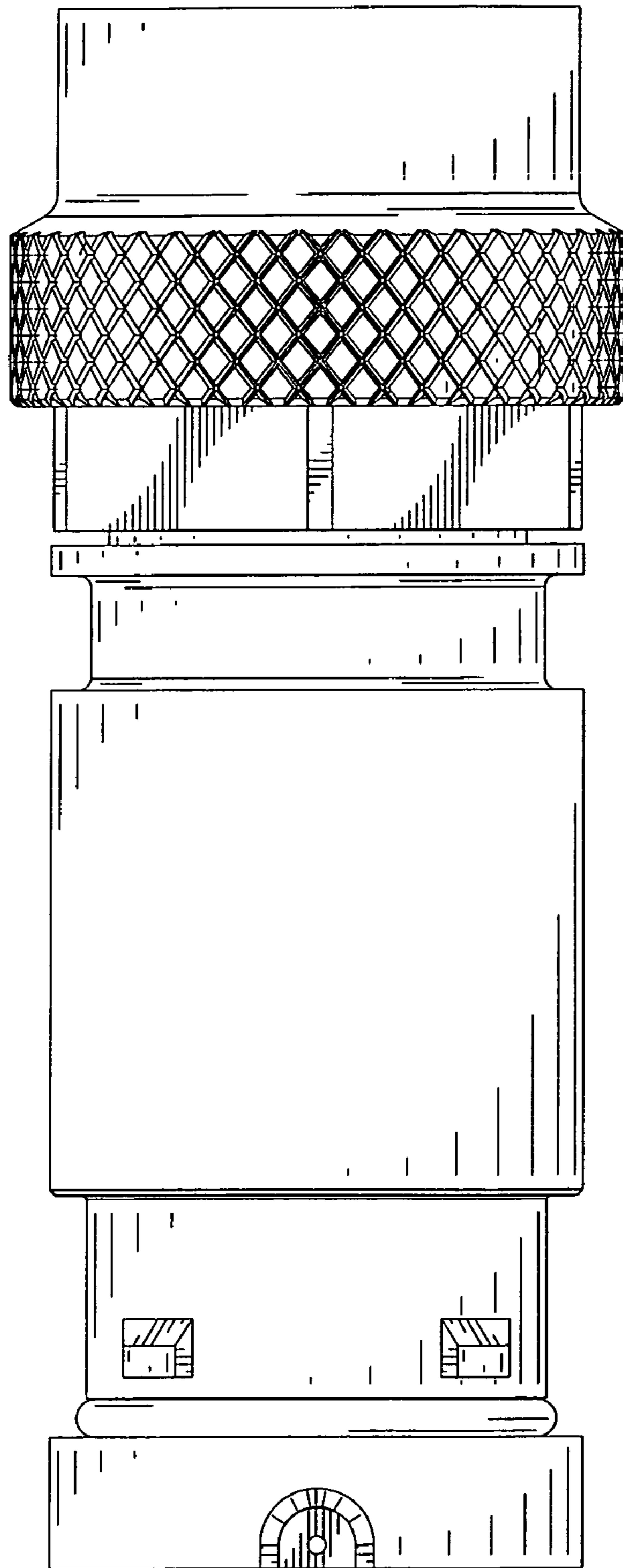


FIG. 3

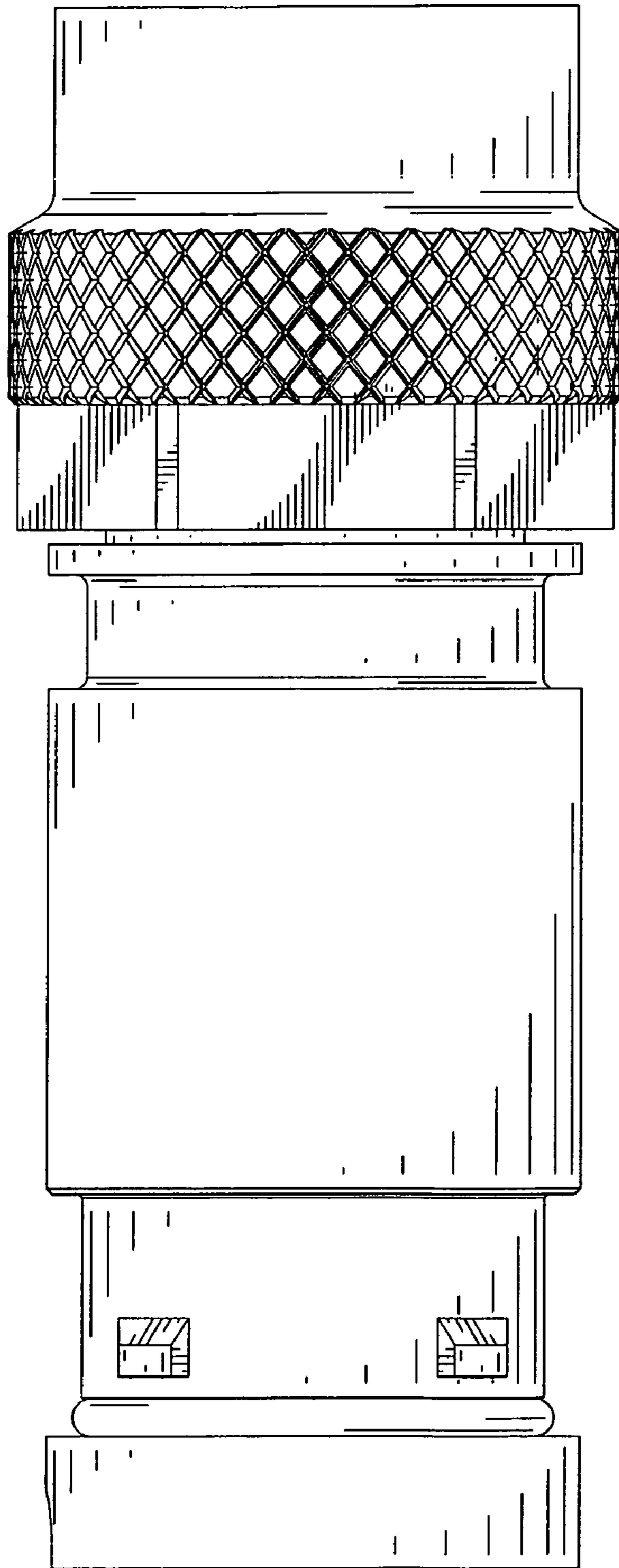


FIG. 4

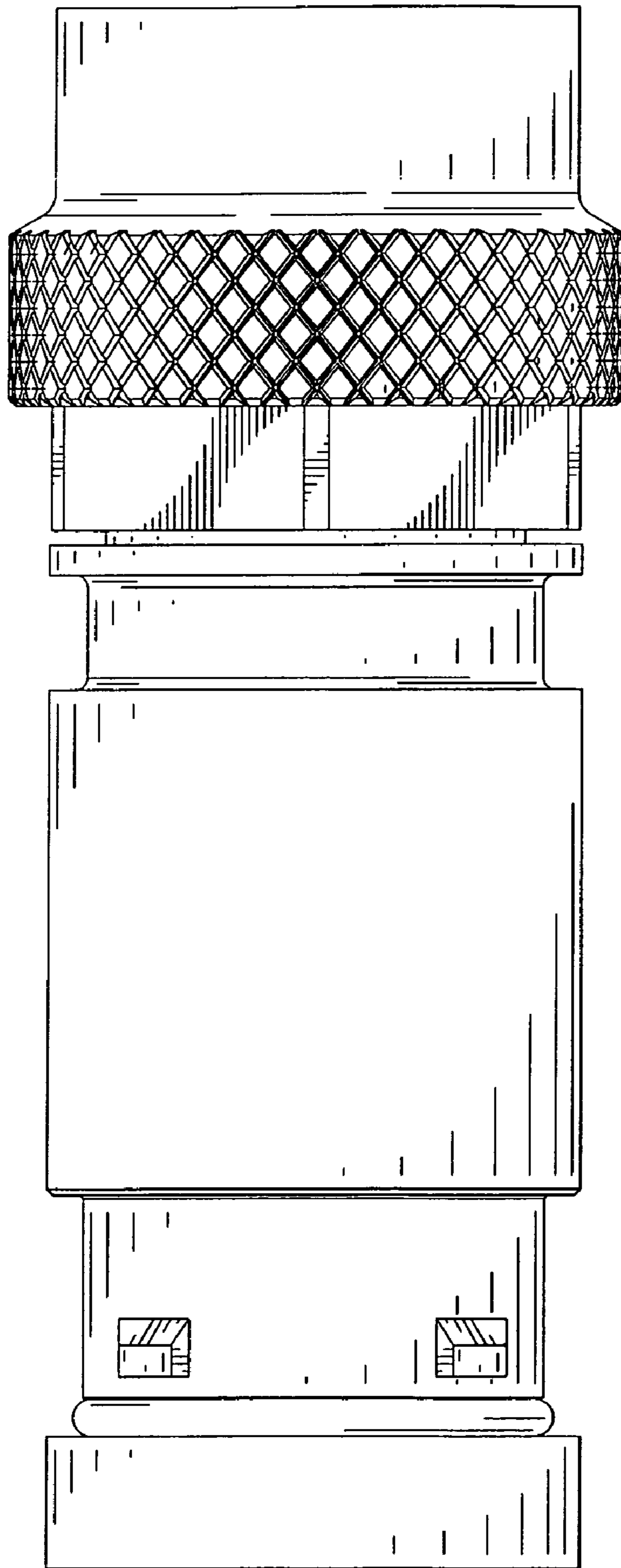


FIG. 5

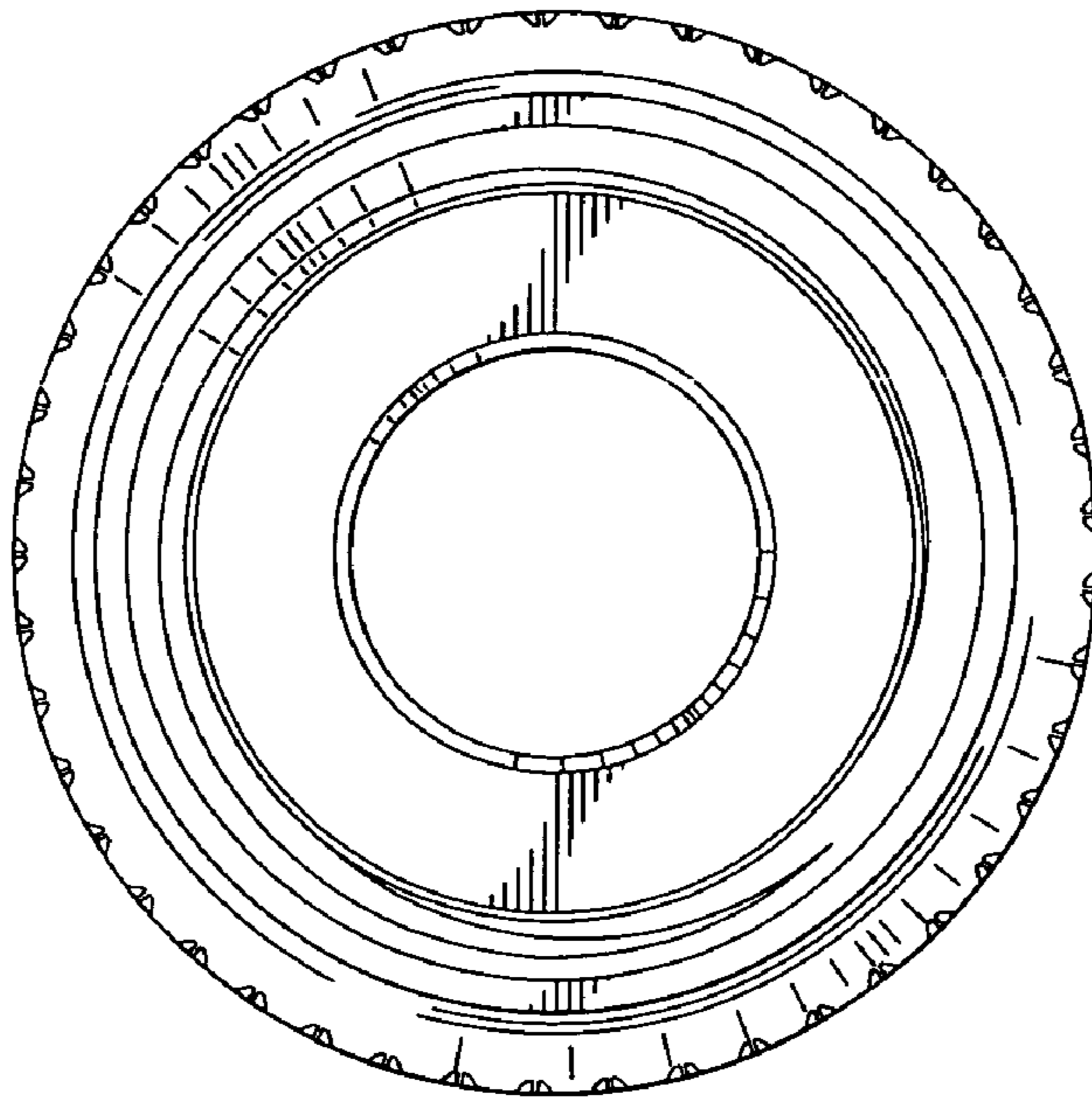


FIG. 7

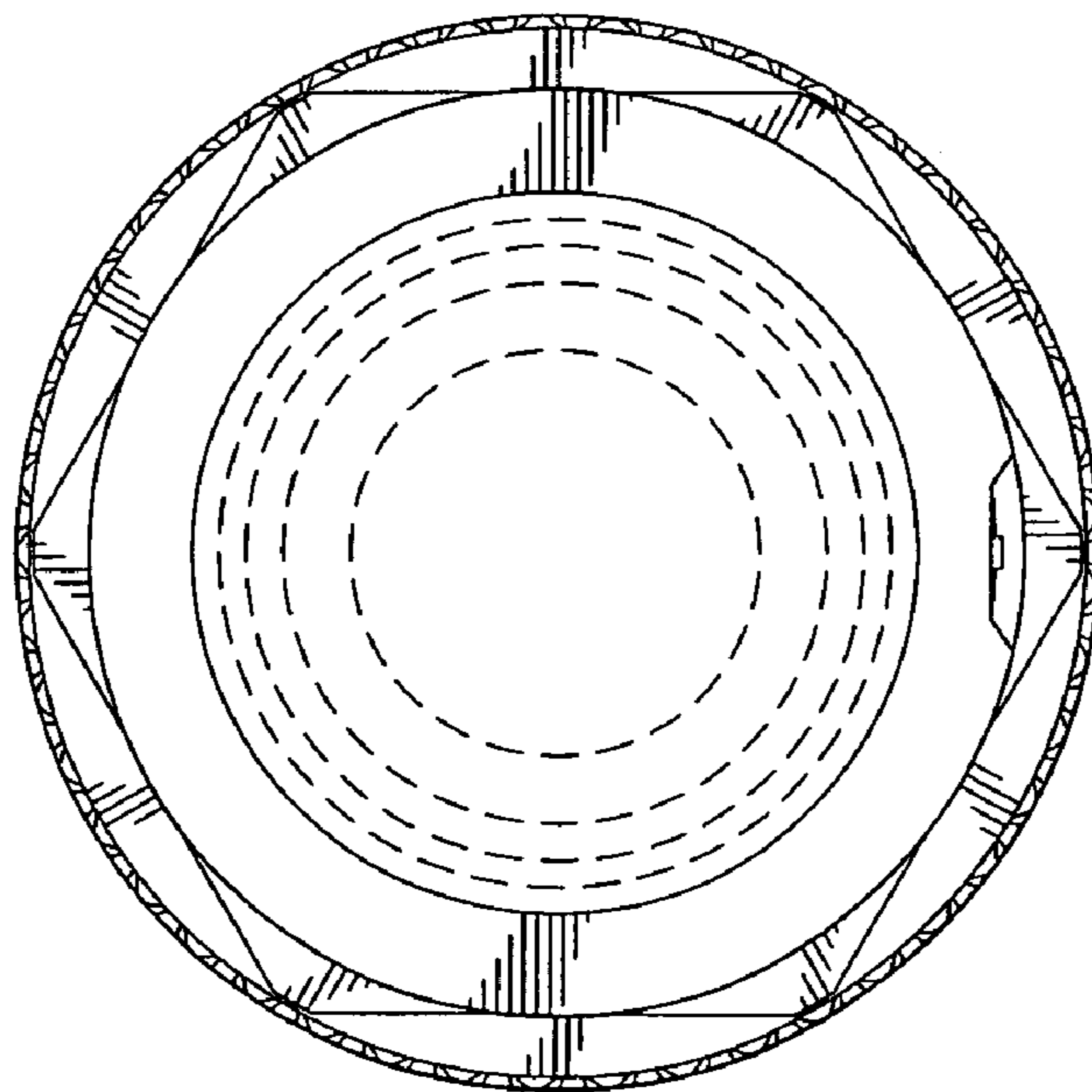


FIG. 6