



US00D597956S

(12) **United States Design Patent**
Sakamoto

(10) **Patent No.:** **US D597,956 S**

(45) **Date of Patent:** **** Aug. 11, 2009**

(54) **CONNECTOR HOUSING**

(75) **Inventor:** **Tetsuma Sakamoto**, Tokyo (JP)

(73) **Assignee:** **Tyco Electronics AMP K.K.**,
Kanagawa-ken (JP)

(**) **Term:** **14 Years**

(21) **Appl. No.:** **29/327,909**

(22) **Filed:** **Nov. 14, 2008**

(30) **Foreign Application Priority Data**

May 16, 2008 (JP) 2008-012221

(51) **LOC (9) Cl.** **13-03**

(52) **U.S. Cl.** **D13/147**

(58) **Field of Classification Search** D13/133,
D13/146-147, 154, 184; 439/247-248, 350,
439/352, 354, 357, 540.1, 541.5, 607-610,
439/660, 677, 680, 682

See application file for complete search history.

(56) **References Cited**

U.S. PATENT DOCUMENTS

D410,629 S *	6/1999	Bandura et al.	D14/147
D524,751 S *	7/2006	Lee et al.	D13/147
D524,755 S *	7/2006	Kudo	D13/147
D556,142 S *	11/2007	Kudo et al.	D13/147
D559,187 S *	1/2008	Hayashi	D13/147
D559,786 S *	1/2008	Kudo et al.	D13/147
D564,968 S *	3/2008	Sakamoto	D13/147

FOREIGN PATENT DOCUMENTS

JP	D1277938	7/2006
JP	D1299260	5/2007

* cited by examiner

Primary Examiner—Daniel D Bui

(74) *Attorney, Agent, or Firm*—Barley Snyder LLC

(57) **CLAIM**

The ornamental design for a connector housing, as shown and described.

DESCRIPTION

FIG. 1 is a front elevation view of a connector housing, showing my new design;

FIG. 2 is a top plan view thereof;

FIG. 3 is a bottom plan view thereof;

FIG. 4 is a right side elevation view thereof;

FIG. 5 is a rear elevation view thereof;

FIG. 6 is a cross sectional view thereof; taken along line 6—6 in FIG. 1 thereof;

FIG. 7 is a top, front and left side perspective view thereof; and,

FIG. 8 is a bottom, rear and right side view thereof.

The broken line portion in FIG. 5 is included to show unclaimed subject matter only and forms no part of the claimed design.

1 Claim, 8 Drawing Sheets

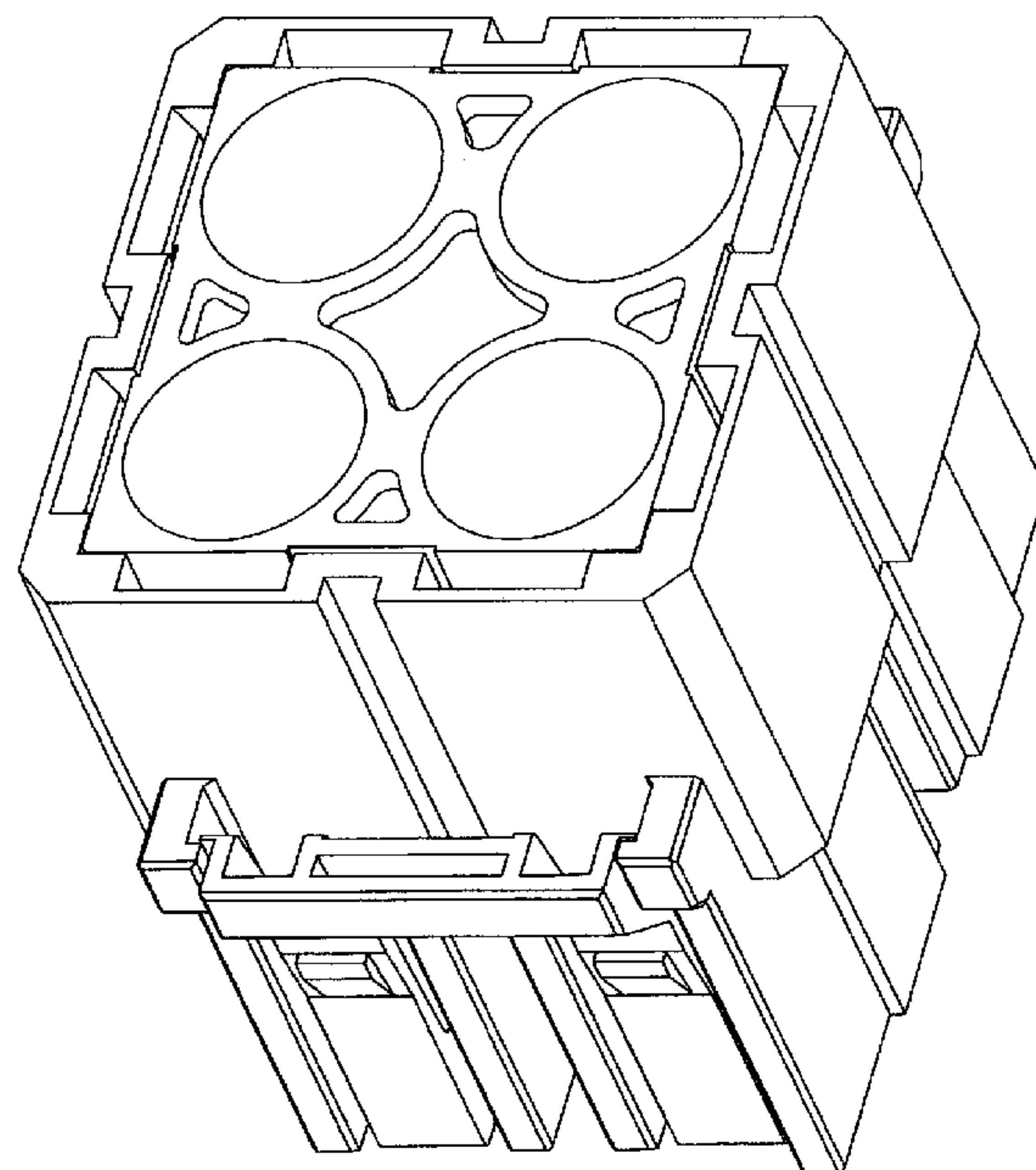
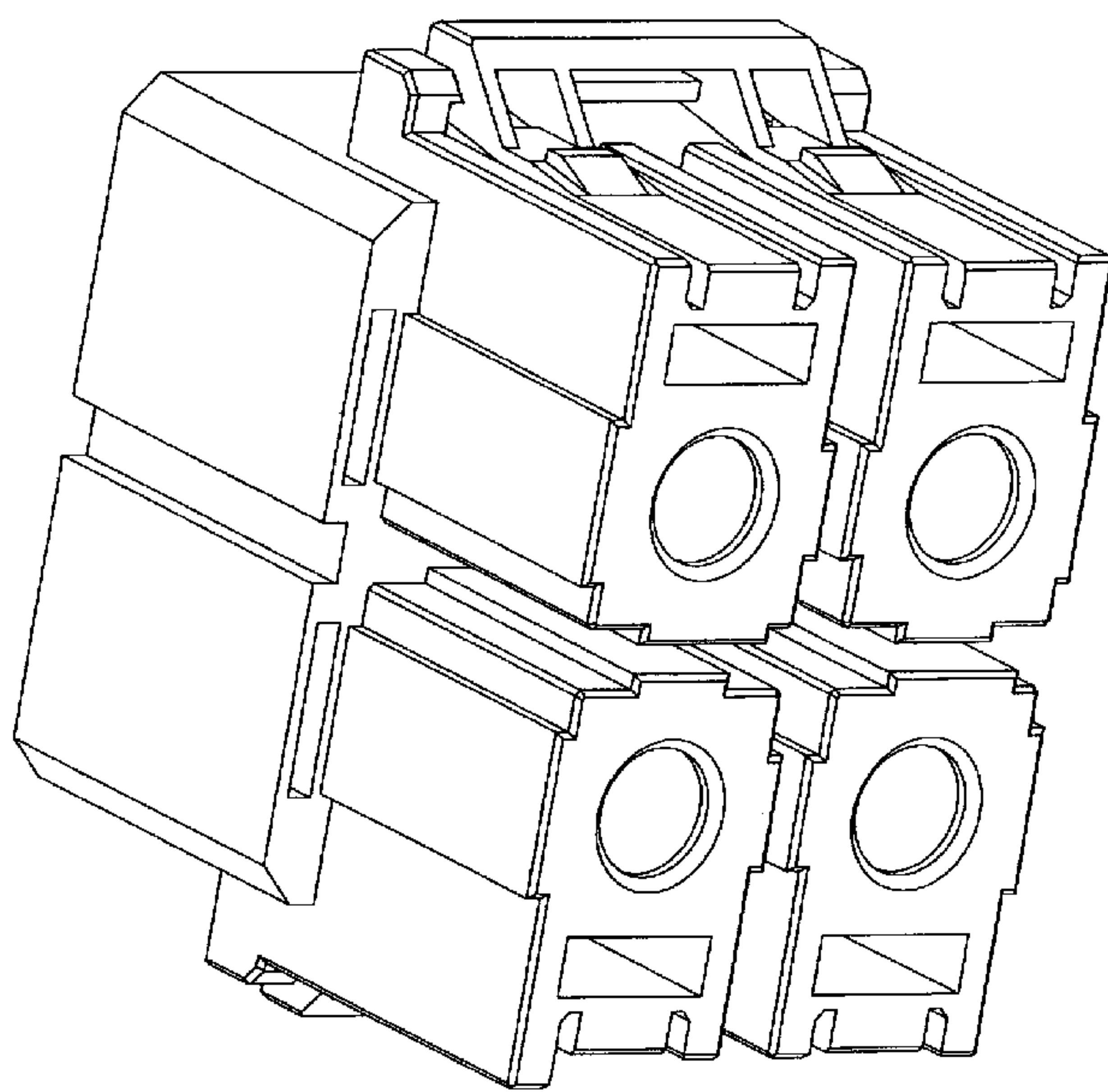
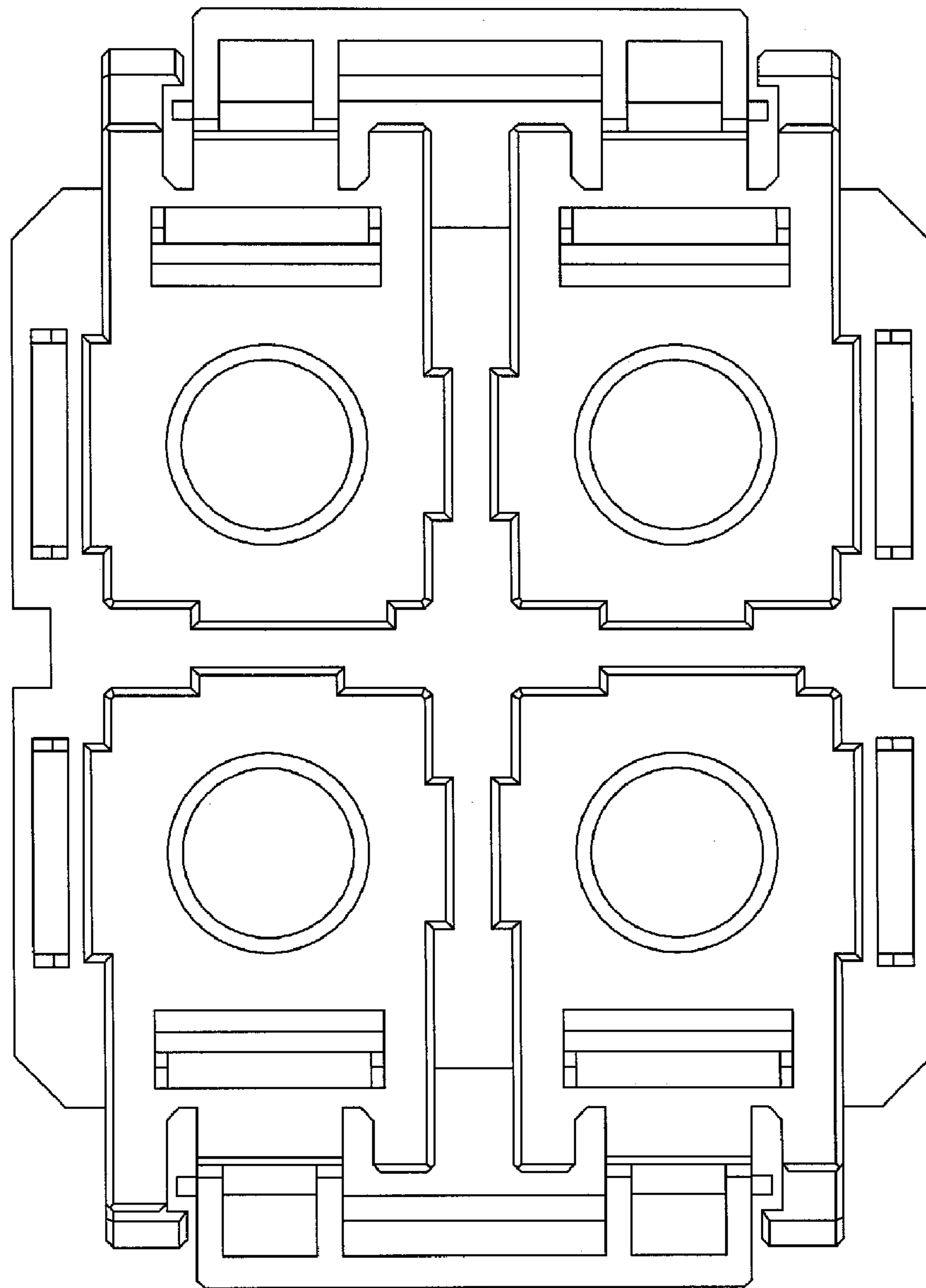


Figure 1



6

6

Figure 2

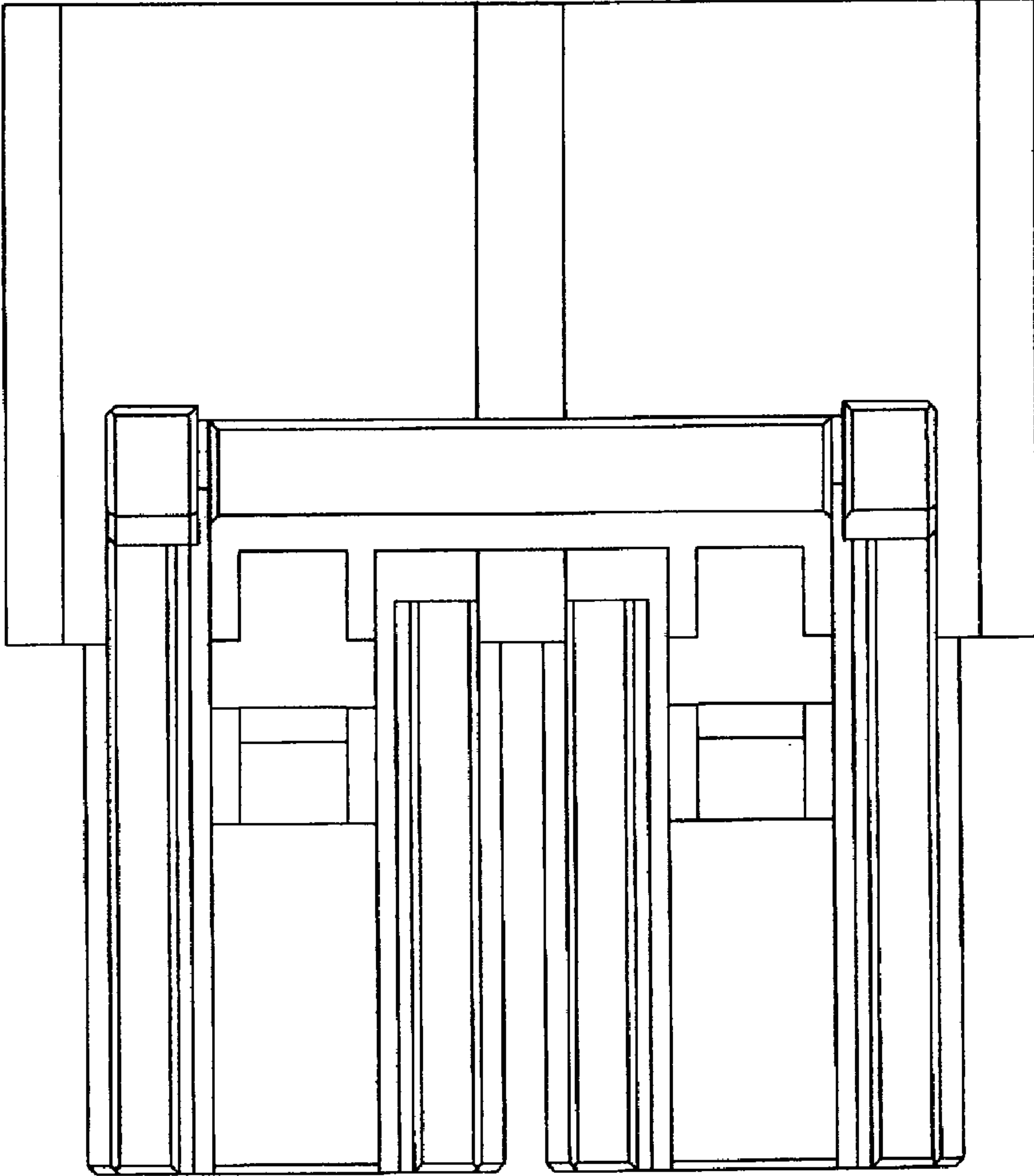


Figure 3

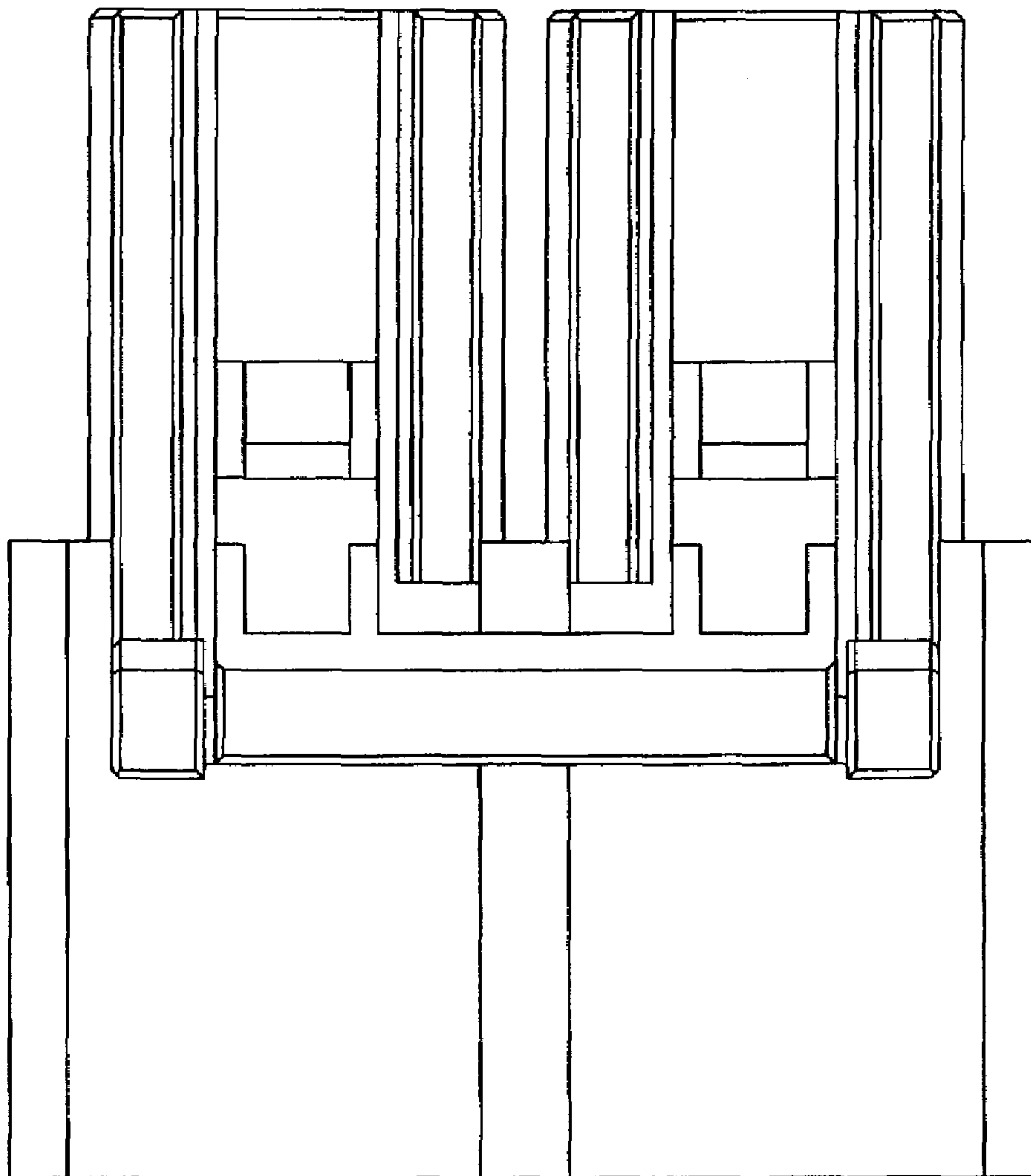


Figure 4

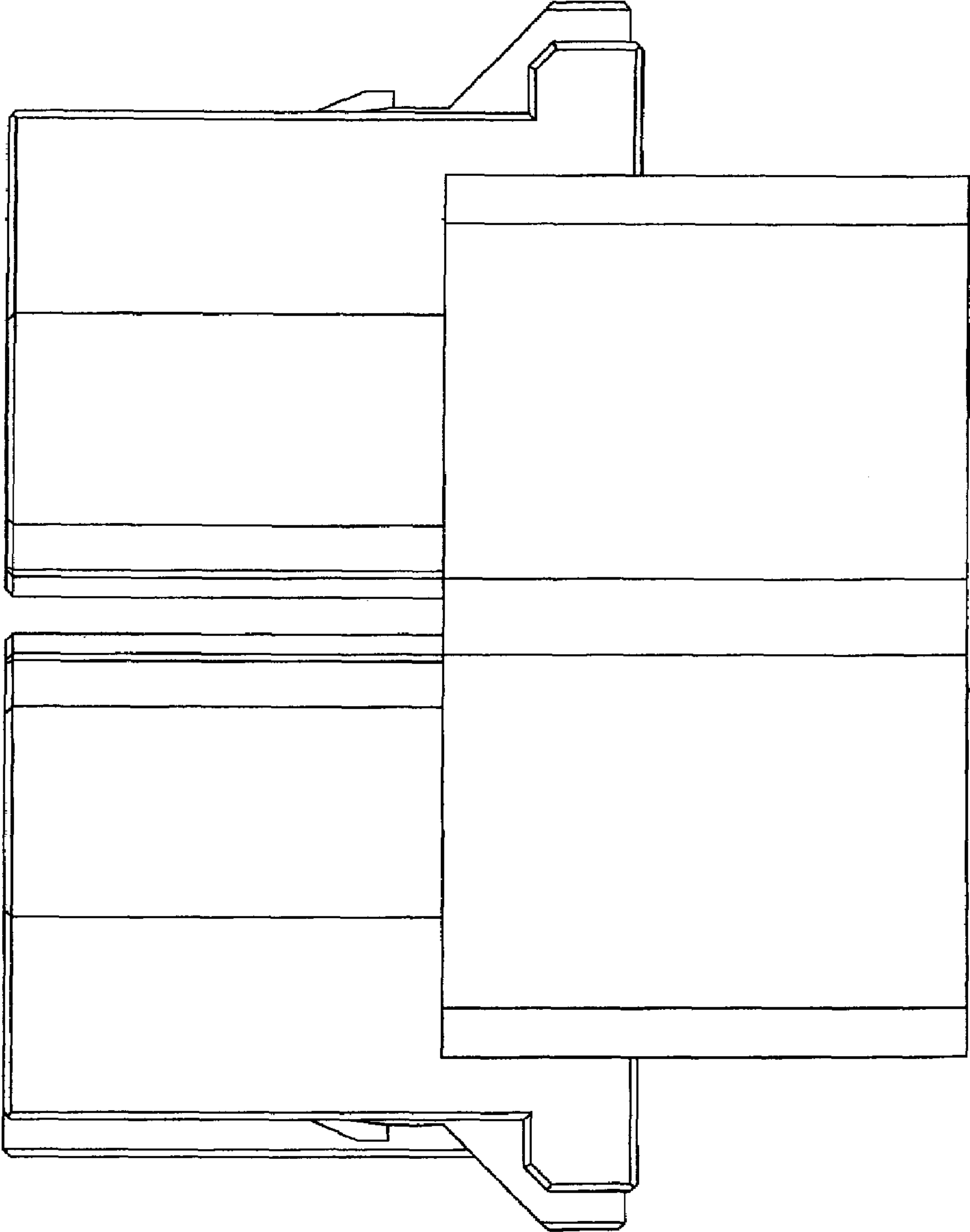


Figure 5

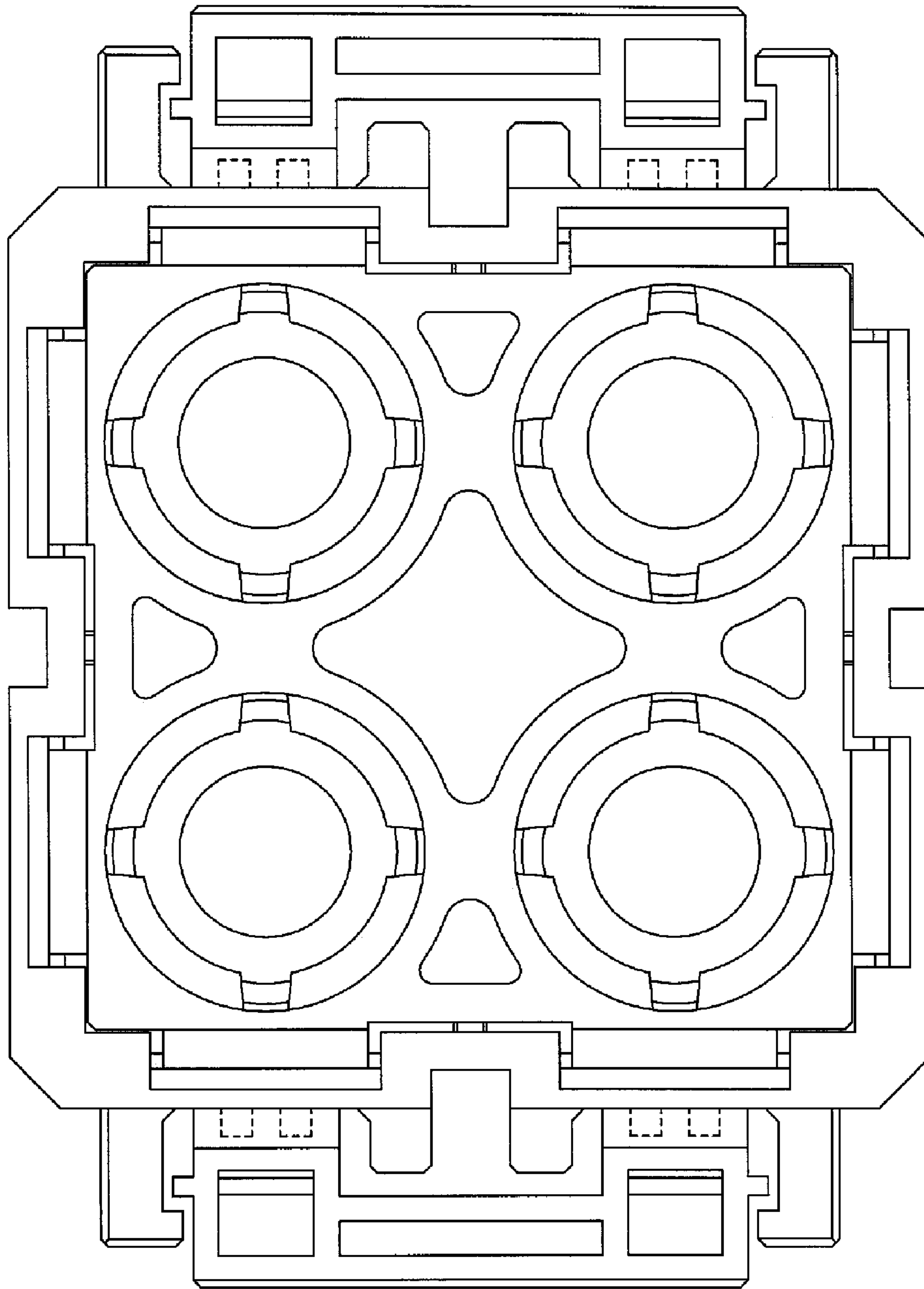


Figure 6

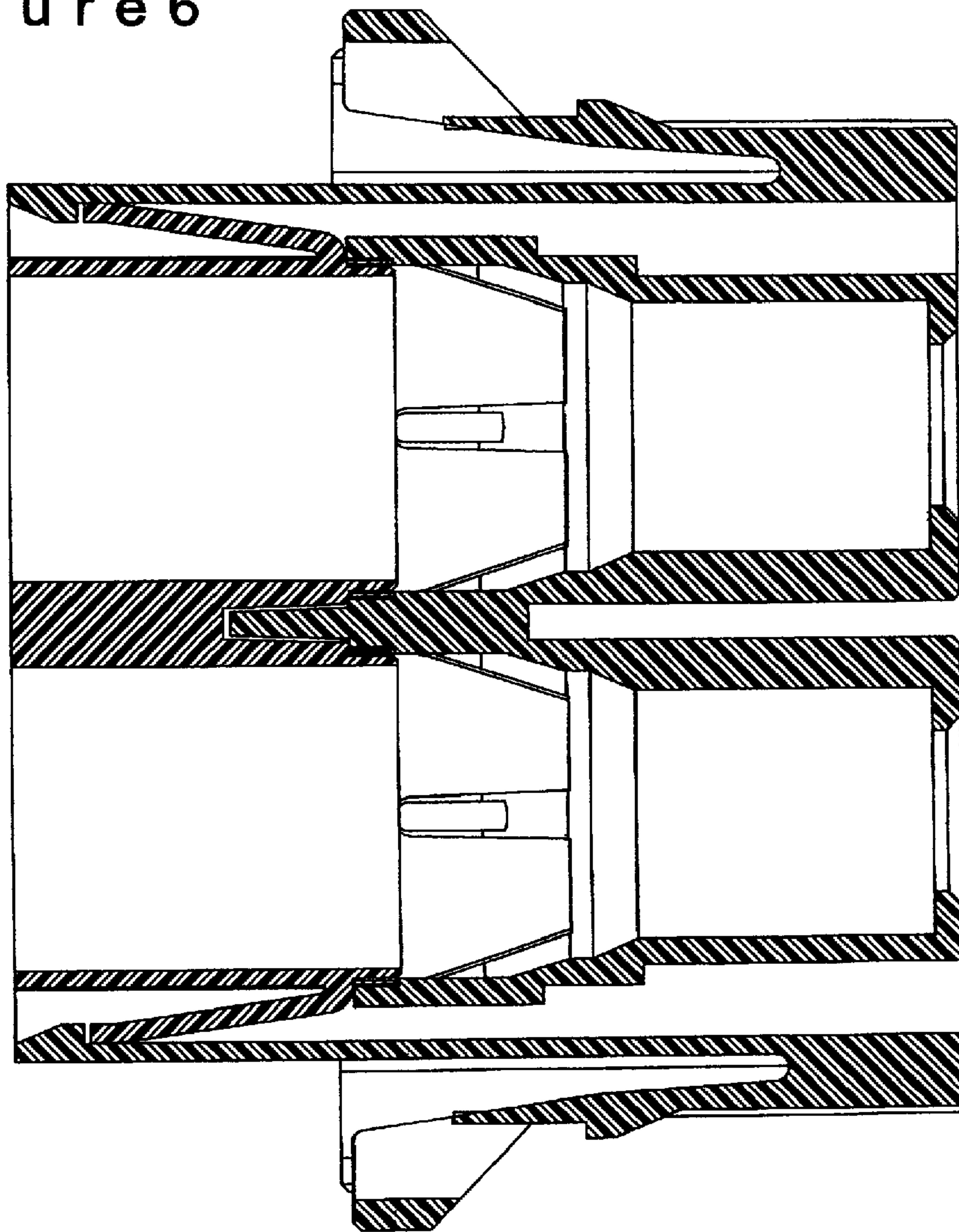


Figure 7

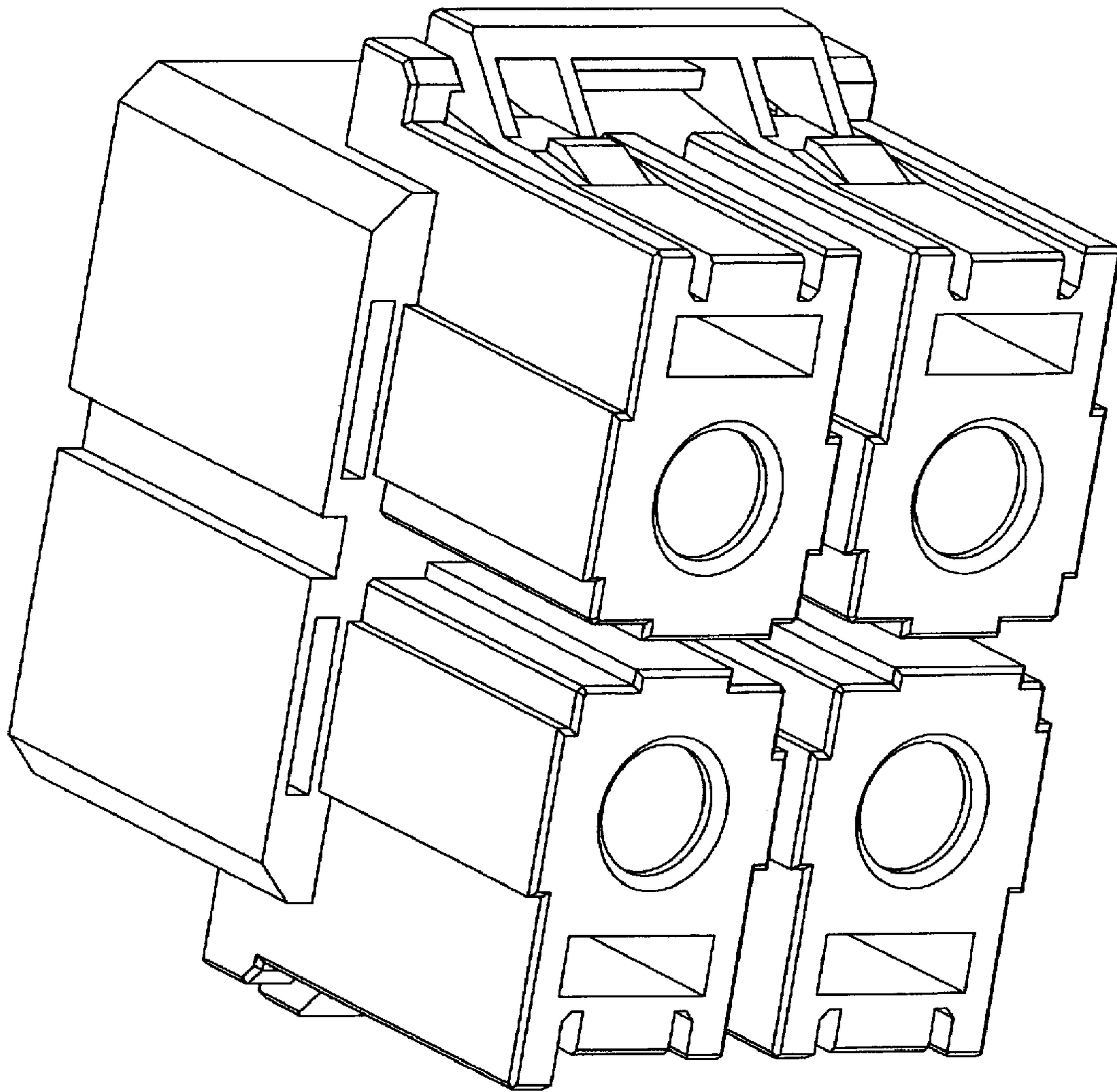


Figure 8

