



US00D597953S

(12) **United States Design Patent**
Huang

(10) **Patent No.:** **US D597,953 S**

(45) **Date of Patent:** **** Aug. 11, 2009**

(54) **FPC CONNECTOR**

(75) Inventor: **Sheng Yuan Huang**, Tu-Cheng (TW)

(73) Assignee: **Cheng Uei Precision Industry Co., Ltd.**, Taipei Hsien (TW)

(**) Term: **14 Years**

(21) Appl. No.: **29/311,301**

(22) Filed: **Feb. 11, 2009**

(51) **LOC (9) Cl.** **13-03**

(52) **U.S. Cl.** **D13/147**

(58) **Field of Classification Search** D13/133,
D13/147, 154, 184; D14/432, 433, 435,
D14/436, 438; 439/64, 79, 159-160, 330-331,
439/341-342, 607-610, 629-630, 636, 660,
439/773, 946

See application file for complete search history.

(56) **References Cited**

U.S. PATENT DOCUMENTS

D502,143 S * 2/2005 Chiu et al. D13/147

D502,686 S * 3/2005 Chiu et al. D13/147

D510,564 S * 10/2005 Chiu D13/147

D530,282 S * 10/2006 Sukegawa et al. D13/147

D589,885 S * 4/2009 Wu D13/147

* cited by examiner

Primary Examiner—Daniel D Bui

(74) *Attorney, Agent, or Firm*—Rosenberg, Klein & Lee

(57) **CLAIM**

The ornamental design for a FPC connector, as shown and described.

DESCRIPTION

FIG. 1 is a perspective view of a FPC connector showing my new design;

FIG. 2 is a front elevational view thereof;

FIG. 3 is a rear elevational view thereof;

FIG. 4 is a left side elevational view thereof;

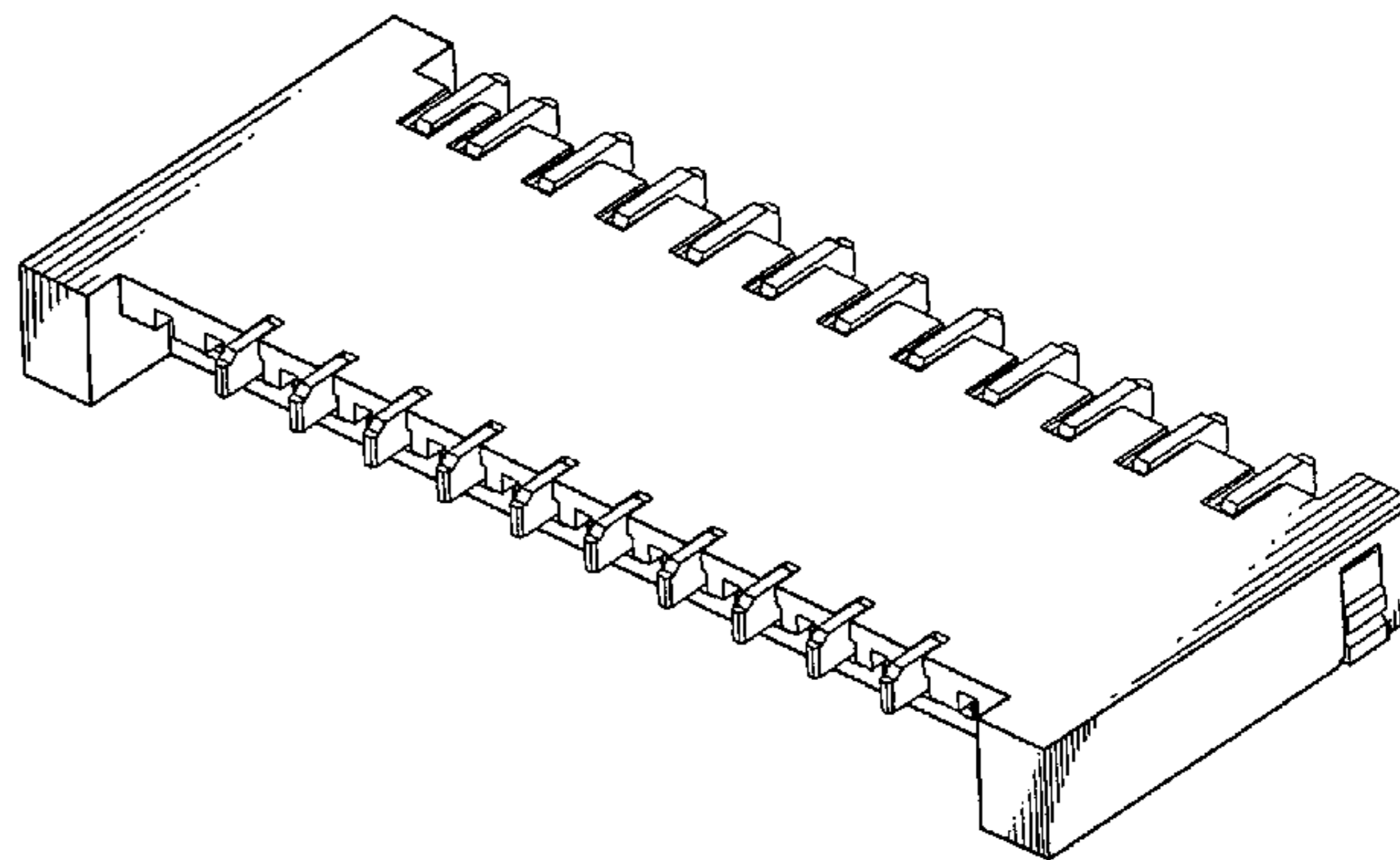
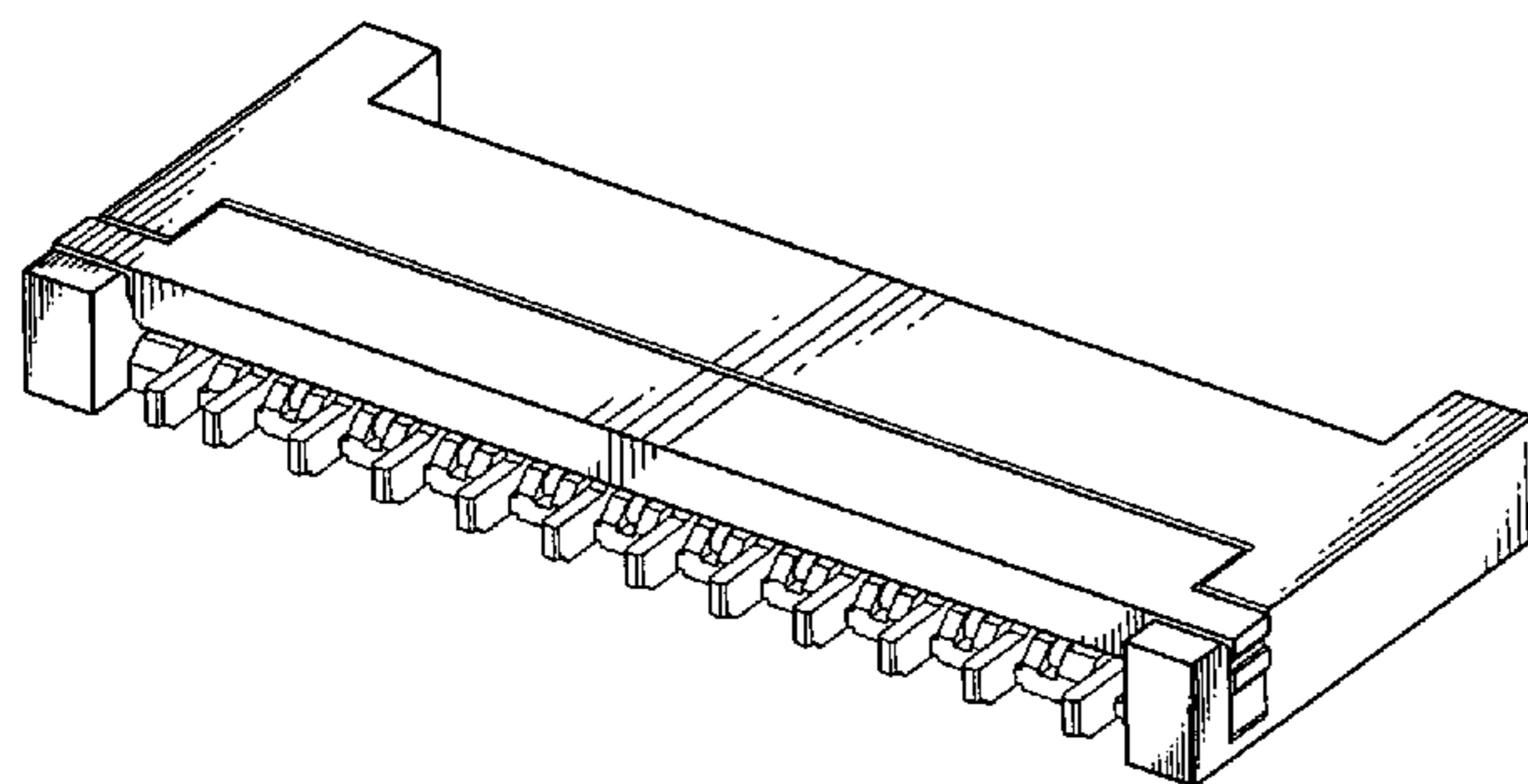
FIG. 5 is a right side elevational view thereof;

FIG. 6 is a top plan view thereof;

FIG. 7 is a bottom plan view thereof; and,

FIG. 8 is another perspective view of the FPC connector showing my new design.

1 Claim, 8 Drawing Sheets



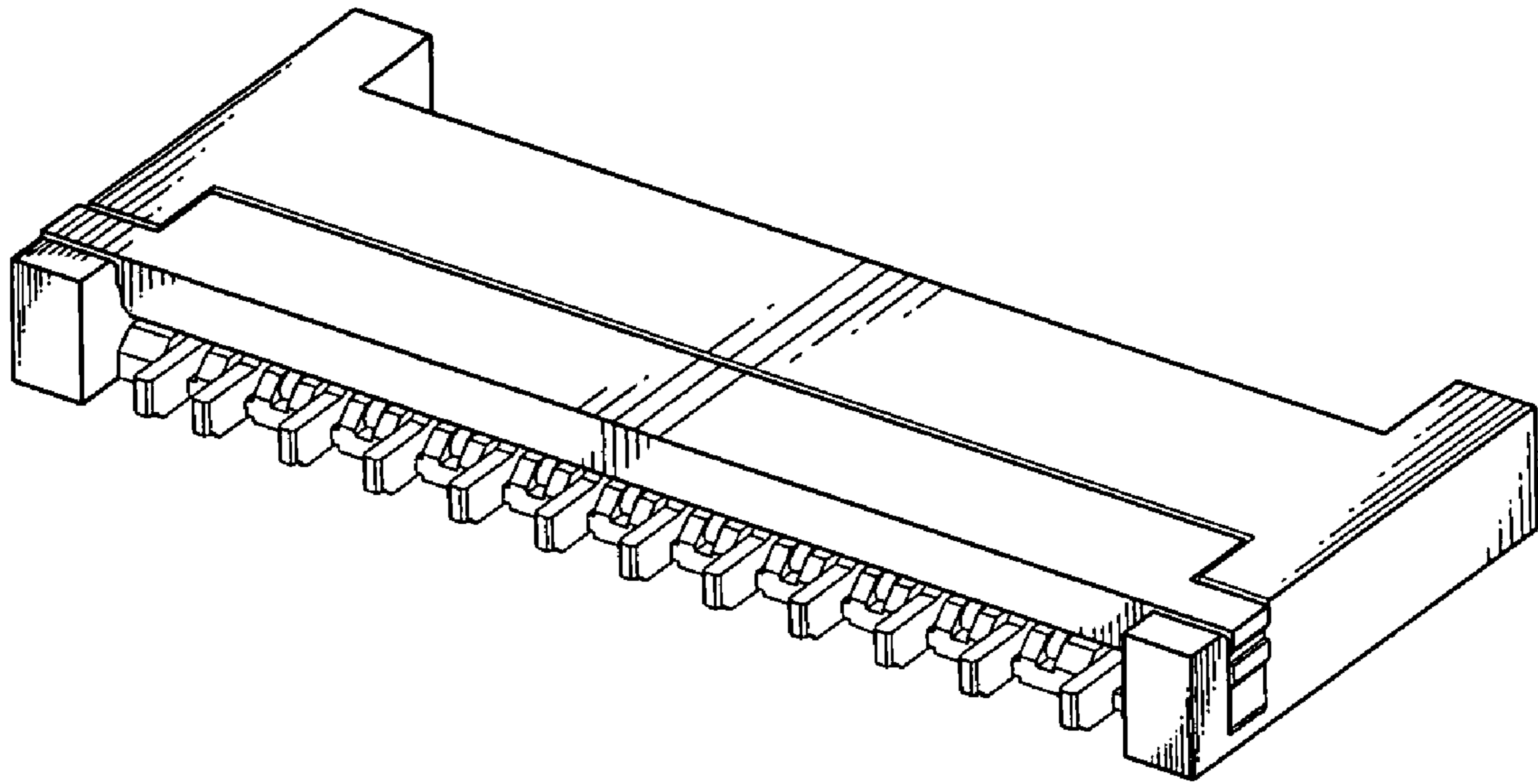


FIG. 1

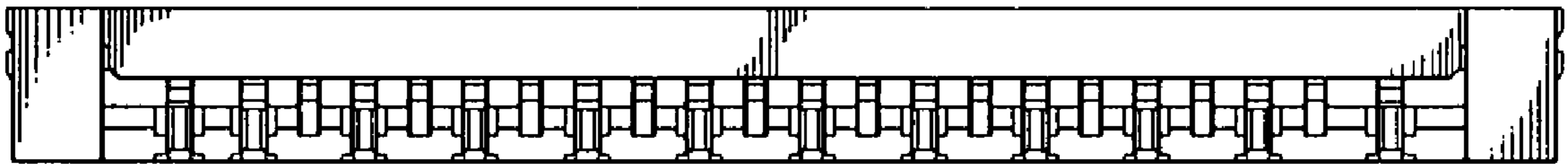


FIG. 2

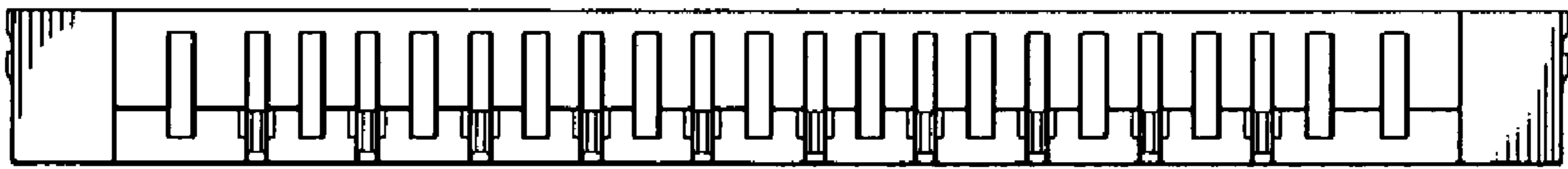


FIG. 3

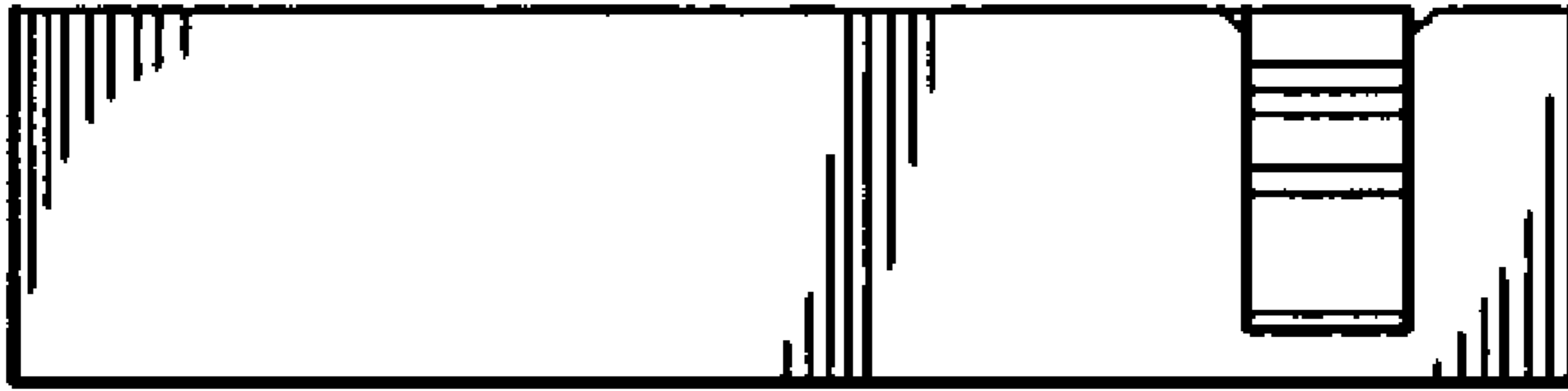


FIG. 4

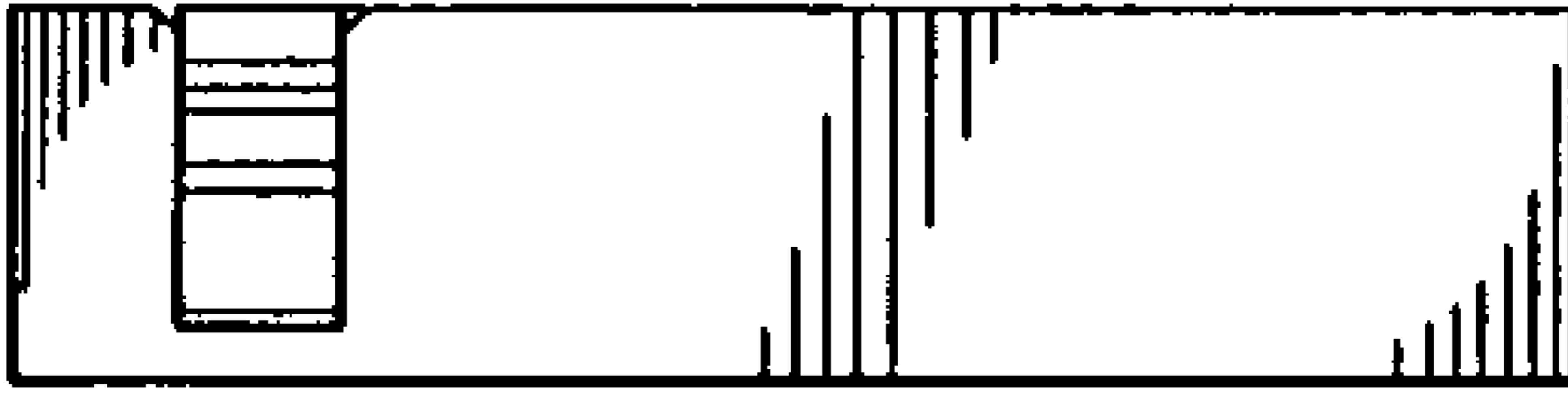


FIG. 5

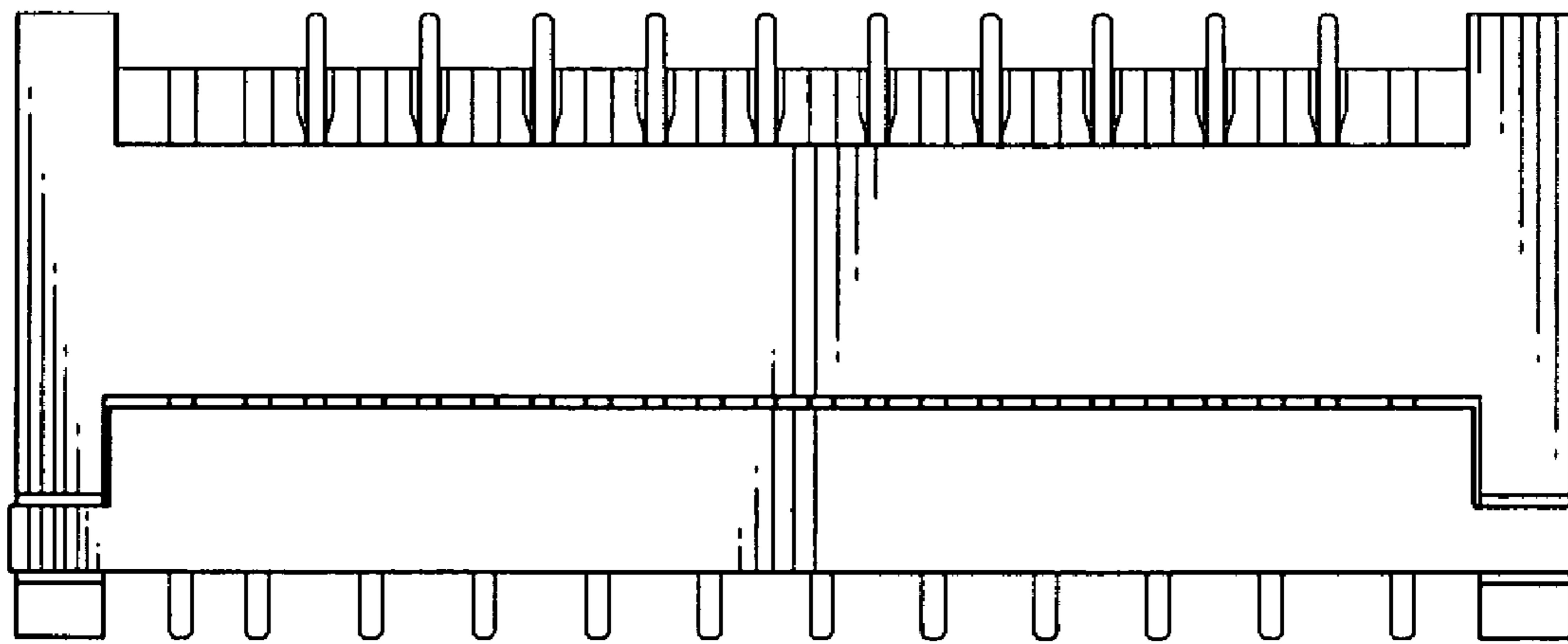


FIG. 6

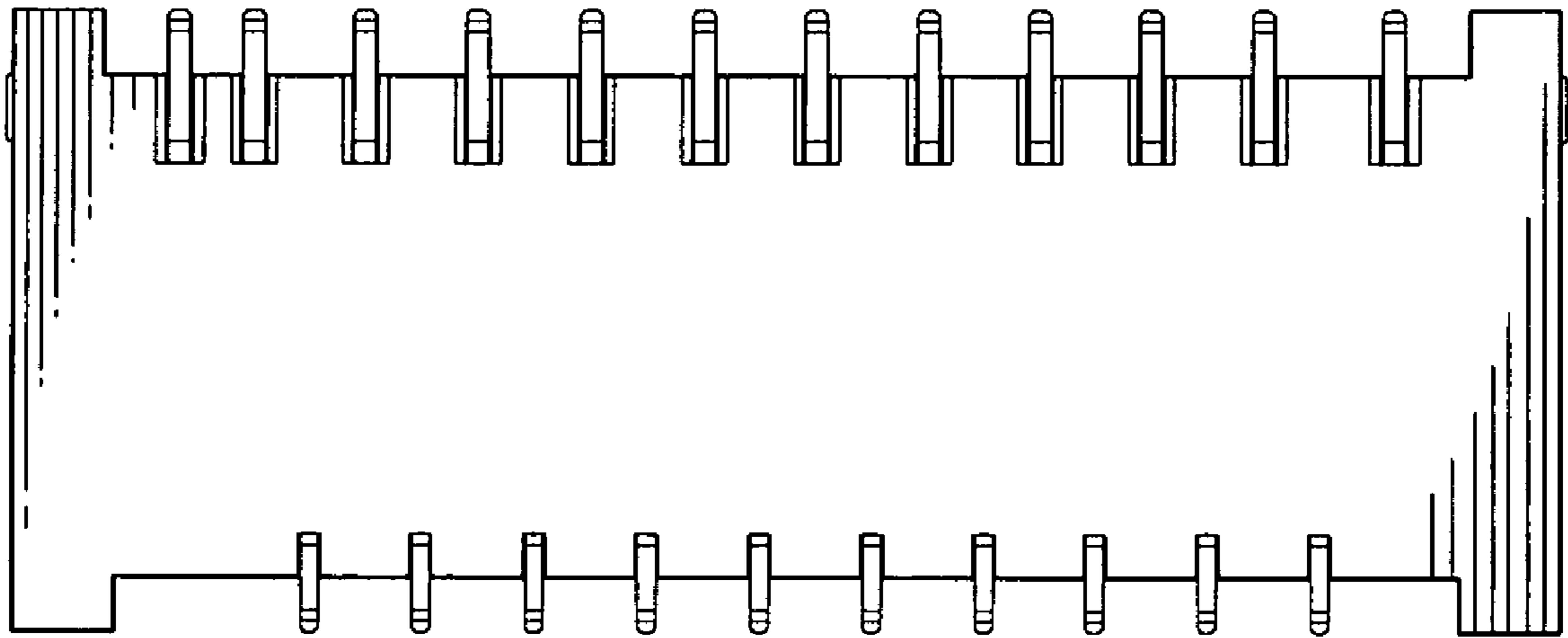


FIG. 7

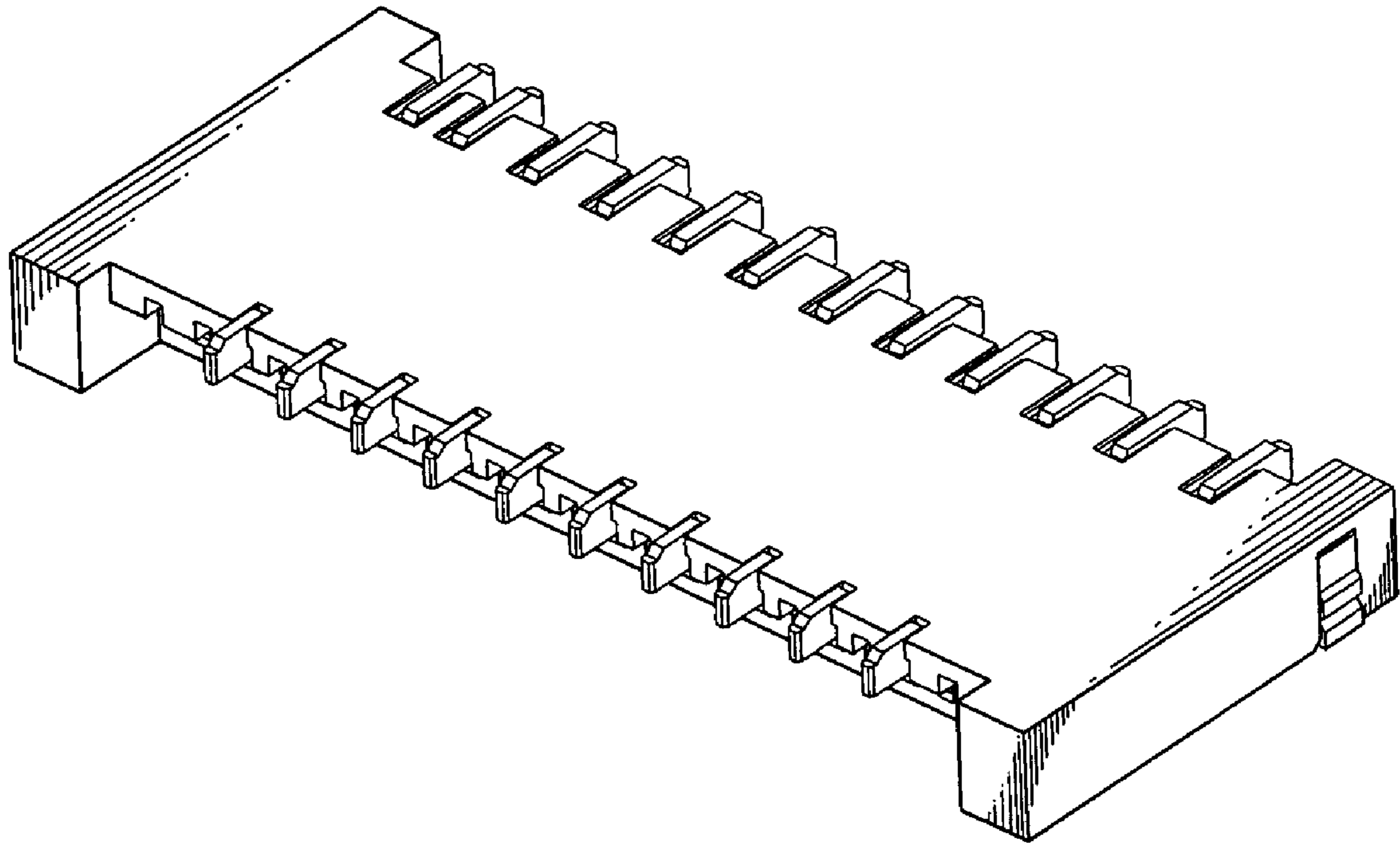


FIG. 8