



US00D597952S

(12) **United States Design Patent**
Kikuchi et al.

(10) **Patent No.:** **US D597,952 S**
(45) **Date of Patent:** **** Aug. 11, 2009**

(54) **ELECTRICAL CONNECTOR**

(75) Inventors: **Masayuki Kikuchi**, Tokyo (JP);
Kazushi Kamata, Aomori (JP)

(73) Assignee: **Japan Aviation Electronics Industry, Limited**, Tokyo (JP)

(**) Term: **14 Years**

(21) Appl. No.: **29/308,683**

(22) Filed: **Jul. 1, 2008**

(30) **Foreign Application Priority Data**

Jan. 16, 2008 (JP) 2008-000616

(51) **LOC (9) Cl.** **13-03**

(52) **U.S. Cl.** **D13/147**

(58) **Field of Classification Search** D13/133,
D13/147, 154, 184; 439/62, 260, 329, 395,
439/392, 422, 495, 499

See application file for complete search history.

(56) **References Cited**

U.S. PATENT DOCUMENTS

D482,001 S * 11/2003 Hisamatsu et al. D13/147
D497,594 S * 10/2004 Hisamatsu et al. D13/147

D497,595 S * 10/2004 Hisamatsu et al. D13/147
D497,596 S * 10/2004 Hisamatsu et al. D13/147
D529,445 S * 10/2006 Ro D13/147
D580,869 S * 11/2008 Miyazaki D13/147

* cited by examiner

Primary Examiner—Daniel D Bui

(74) *Attorney, Agent, or Firm*—Collard & Roe, P.C.

(57) **CLAIM**

The ornamental design for an electrical connector, as shown and described.

DESCRIPTION

FIG. 1 is a front, right, and top-side perspective view of an electrical connector showing our new design;

FIG. 2 is a front, left, and bottom-side perspective view thereof;

FIG. 3 is a front elevational view thereof;

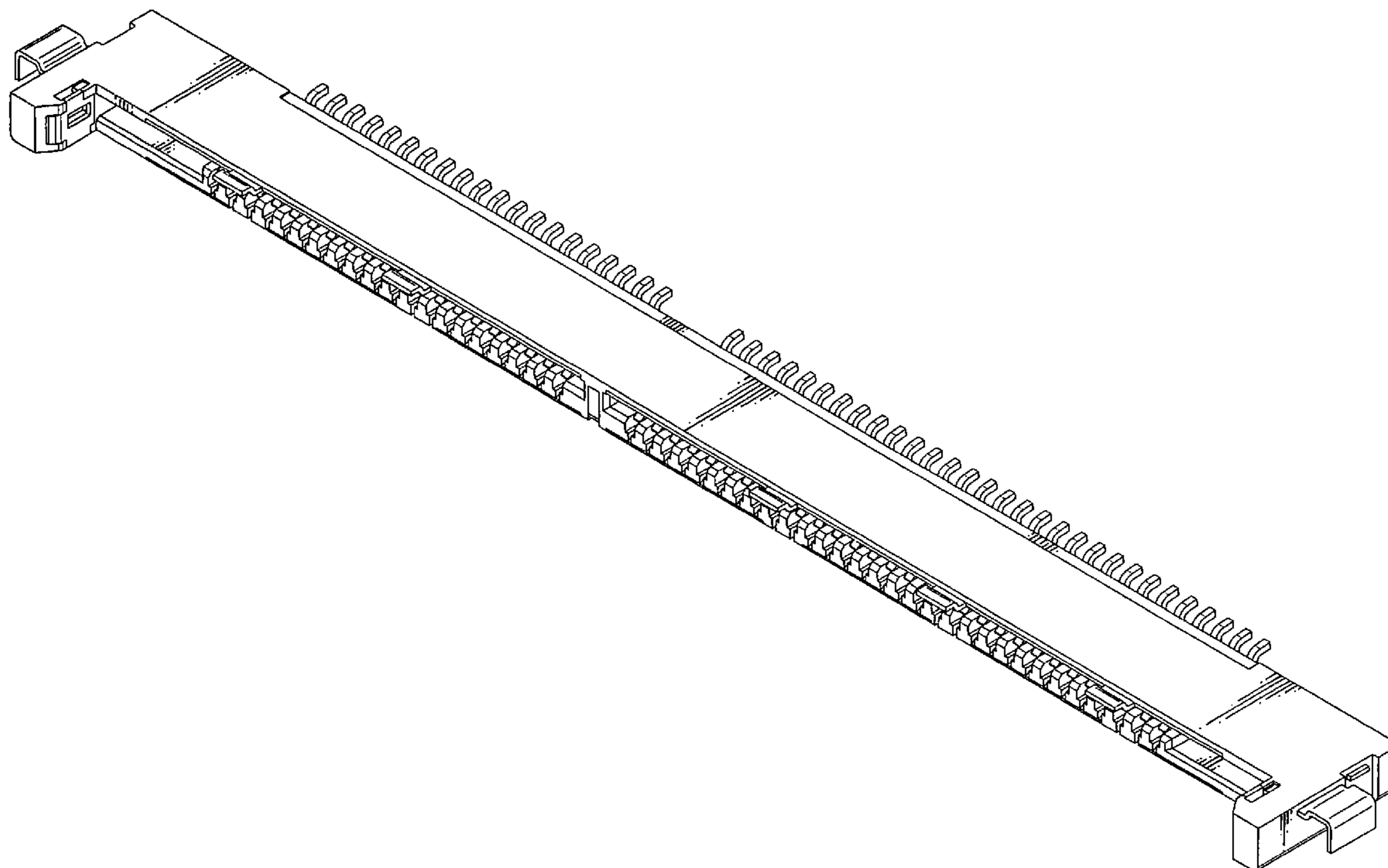
FIG. 4 is a top plan view thereof;

FIG. 5 is a rear elevational view thereof;

FIG. 6 is a bottom plan view thereof; and,

FIG. 7 is a right side elevational view thereof the left side view thereof is a mirror image of FIG. 7.

1 Claim, 4 Drawing Sheets



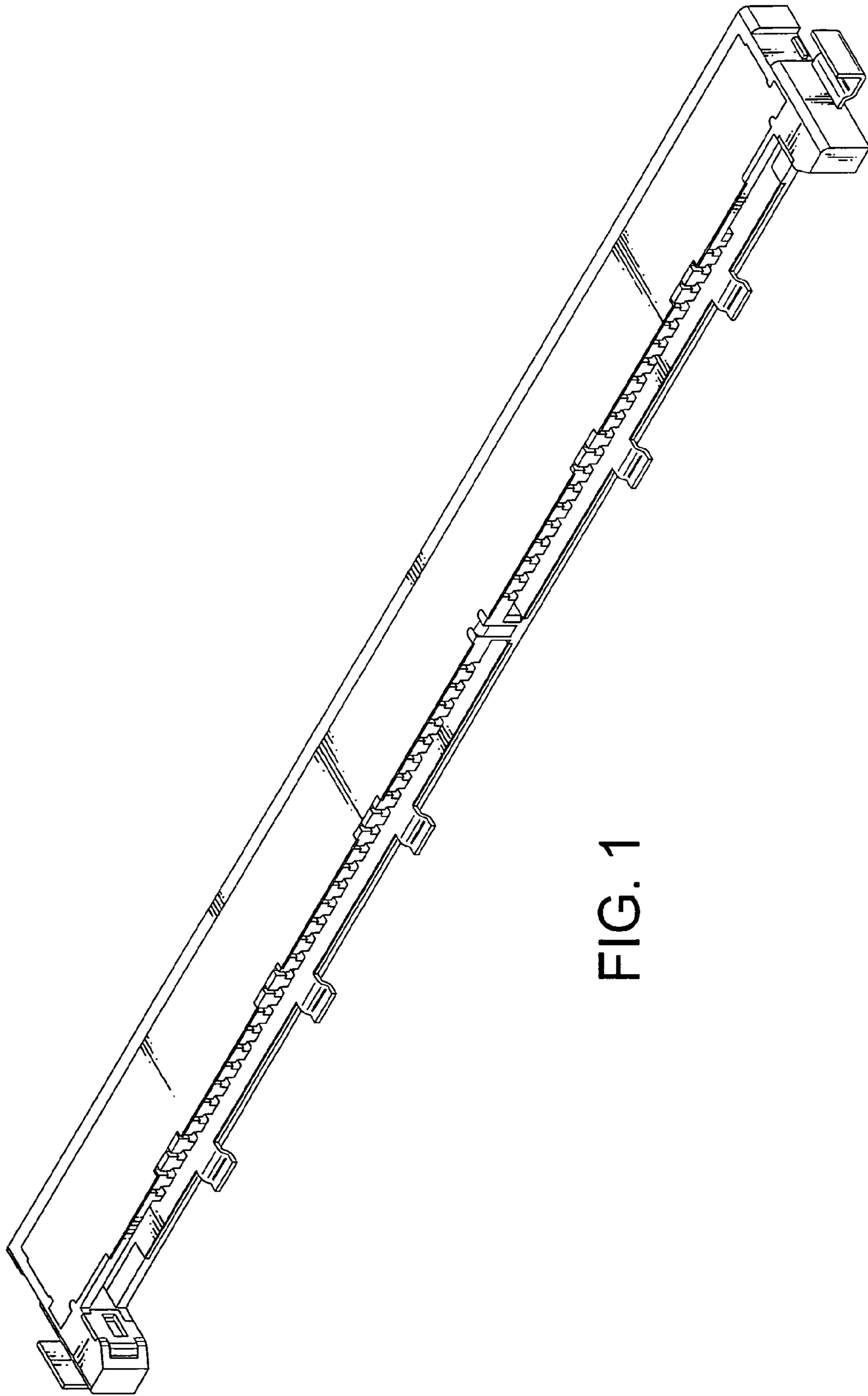


FIG. 1

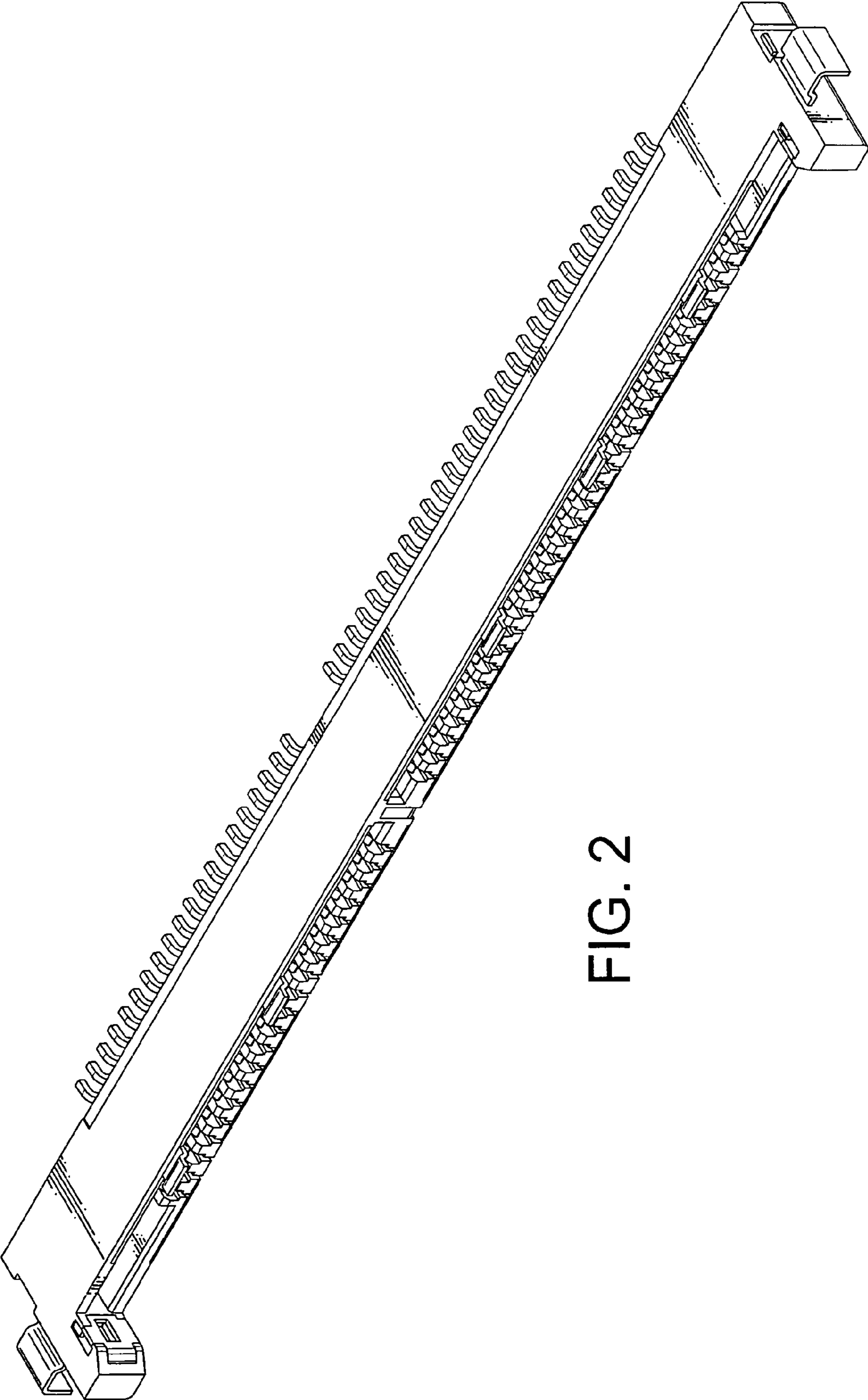


FIG. 2

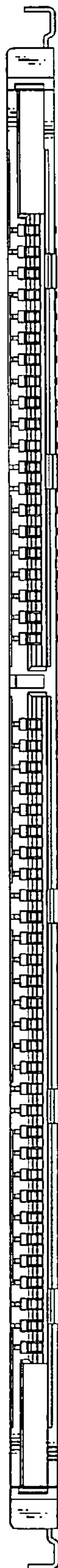


FIG. 3

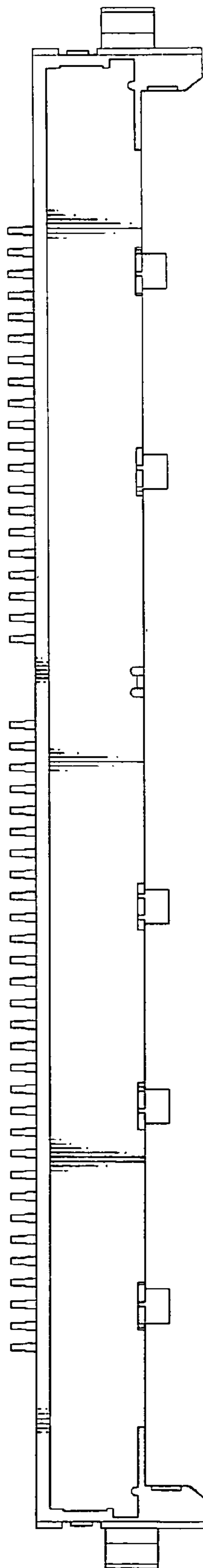


FIG. 4

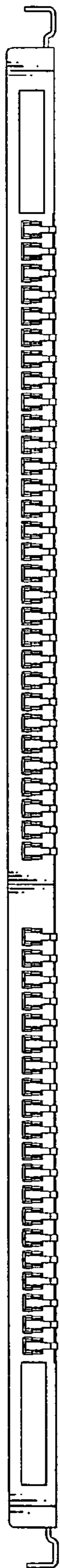


FIG. 5

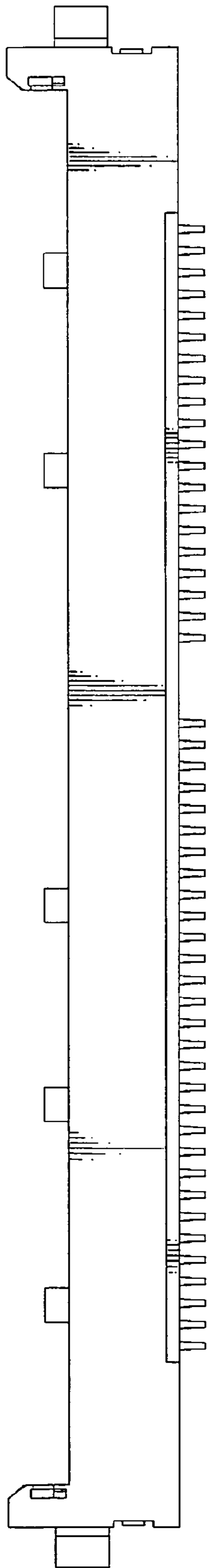


FIG. 6



FIG. 7