

US00D597951S

(12) **United States Design Patent**  
**Hatano et al.**

(10) **Patent No.:** **US D597,951 S**  
(45) **Date of Patent:** **\*\* Aug. 11, 2009**

(54) **ELECTRICAL CONNECTOR HOUSING**

D584,693 S \* 1/2009 Hatano et al. .... D13/147

(75) Inventors: **Takahiro Hatano**, Tokyo (JP); **Makiya Kimura**, Tokyo (JP); **Tomoyuki Takamoto**, Gunma (JP); **Shin Sakiyama**, Saitama (JP); **Takashi Sokizuka**, Saitama (JP)

FOREIGN PATENT DOCUMENTS

JP 3-12383 2/1991  
JP 11-126667 11/1999

\* cited by examiner

*Primary Examiner*—Daniel D Bui

(74) *Attorney, Agent, or Firm*—Barley Snyder LLC

(73) Assignees: **Tyco Electronics AMP K.K.**, Kanagawa-ken (JP); **Advantest Corporation**, Tokyo (JP)

(57) **CLAIM**

(\*\*) Term: **14 Years**

The ornamental design for an electrical connector housing, as shown and described.

(21) Appl. No.: **29/304,421**

**DESCRIPTION**

(22) Filed: **Feb. 29, 2008**

FIG. 1 is a front elevation view of an electrical connector housing, showing our new design;

(51) **LOC (9) Cl.** ..... **13-03**

FIG. 2 is a rear elevation view thereof;

(52) **U.S. Cl.** ..... **D13/147**

FIG. 3 is a left side elevation view thereof;

(58) **Field of Classification Search** ..... D13/133,  
D13/147, 154, 184; D14/433, 435, 436,  
D14/438; 439/64, 79, 108, 159–160, 260,  
439/325–326, 329, 394–395, 607–610, 629–630,  
439/946

FIG. 4 is a right side elevation view thereof;

FIG. 5 is a top plan view thereof;

FIG. 6 is a bottom plan view thereof;

See application file for complete search history.

FIG. 7 is a top plan view thereof showing cross section lines;

FIG. 8 is a cross-sectional view thereof, taken along lines “8—8” in FIG. 7;

(56) **References Cited**

U.S. PATENT DOCUMENTS

D517,490 S \* 3/2006 Kawase et al. .... D13/147  
D526,277 S \* 8/2006 Wu ..... D13/147  
D543,944 S \* 6/2007 Yamada et al. .... D13/147  
D574,330 S \* 8/2008 Matsuzaki et al. .... D13/147  
D583,769 S \* 12/2008 Hatano et al. .... D13/147

FIG. 9 is a top, front, and right side perspective view thereof; and,

FIG. 10 is a bottom, rear and right side perspective view thereof.

**1 Claim, 10 Drawing Sheets**

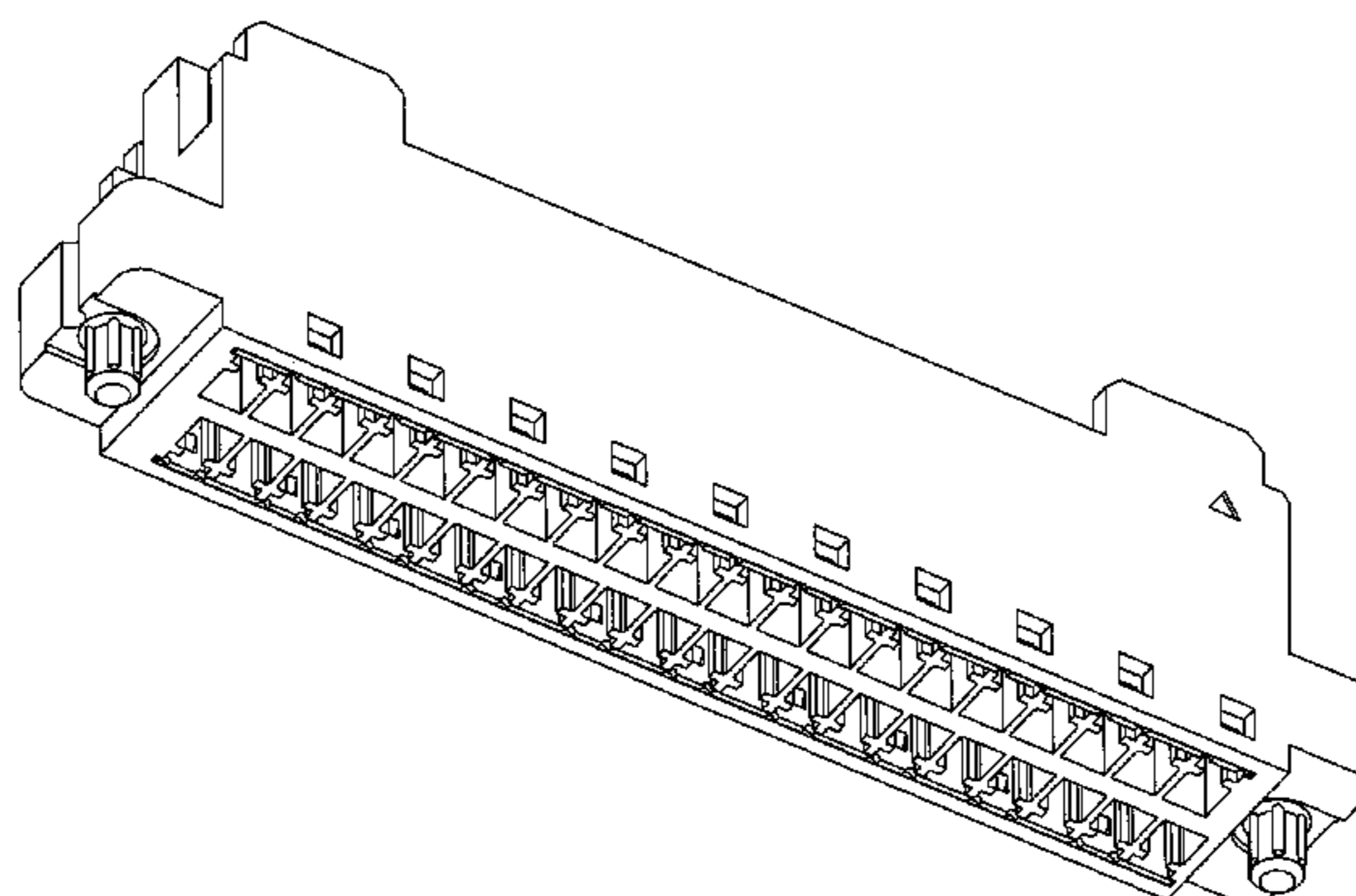
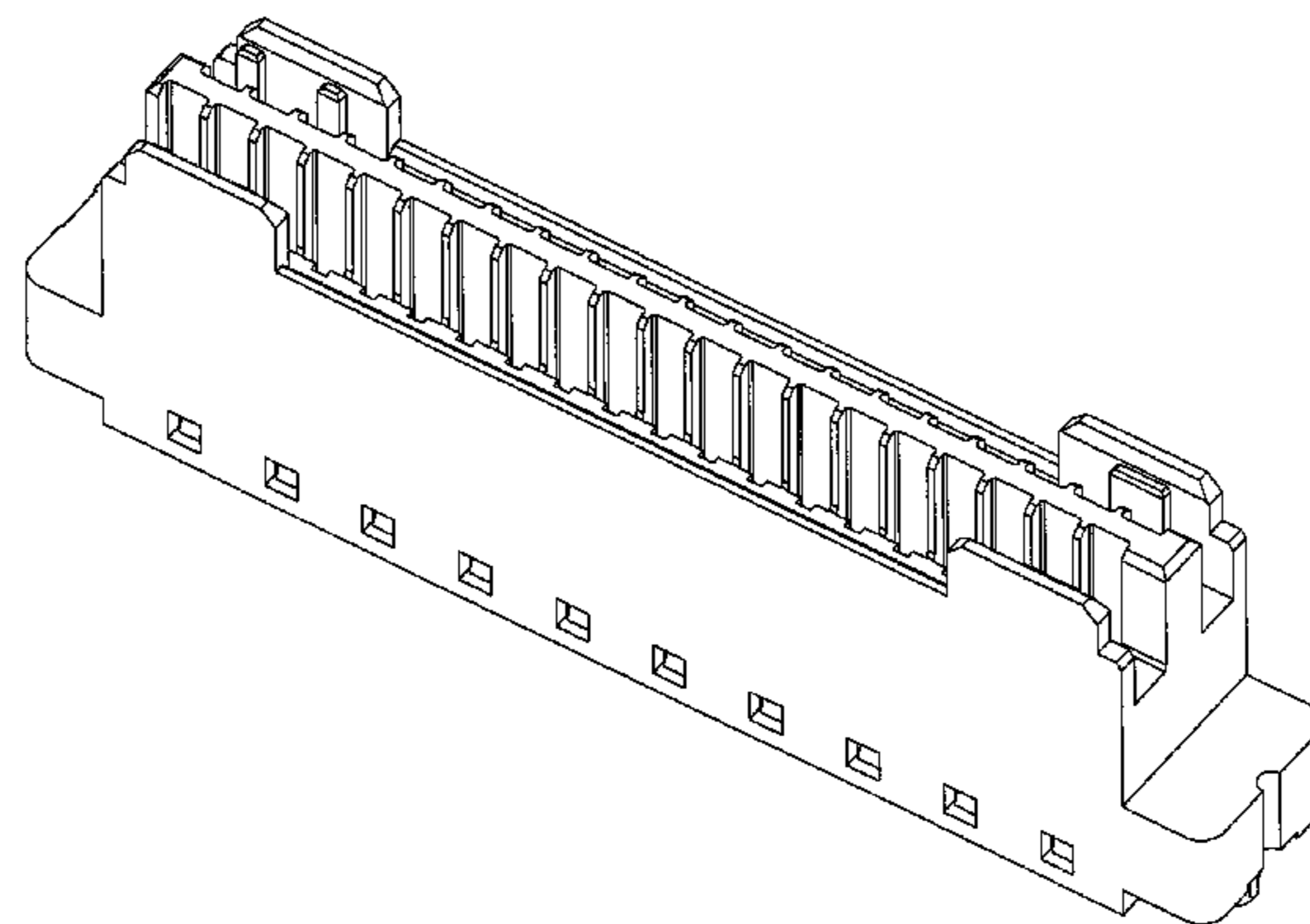


FIG. 1

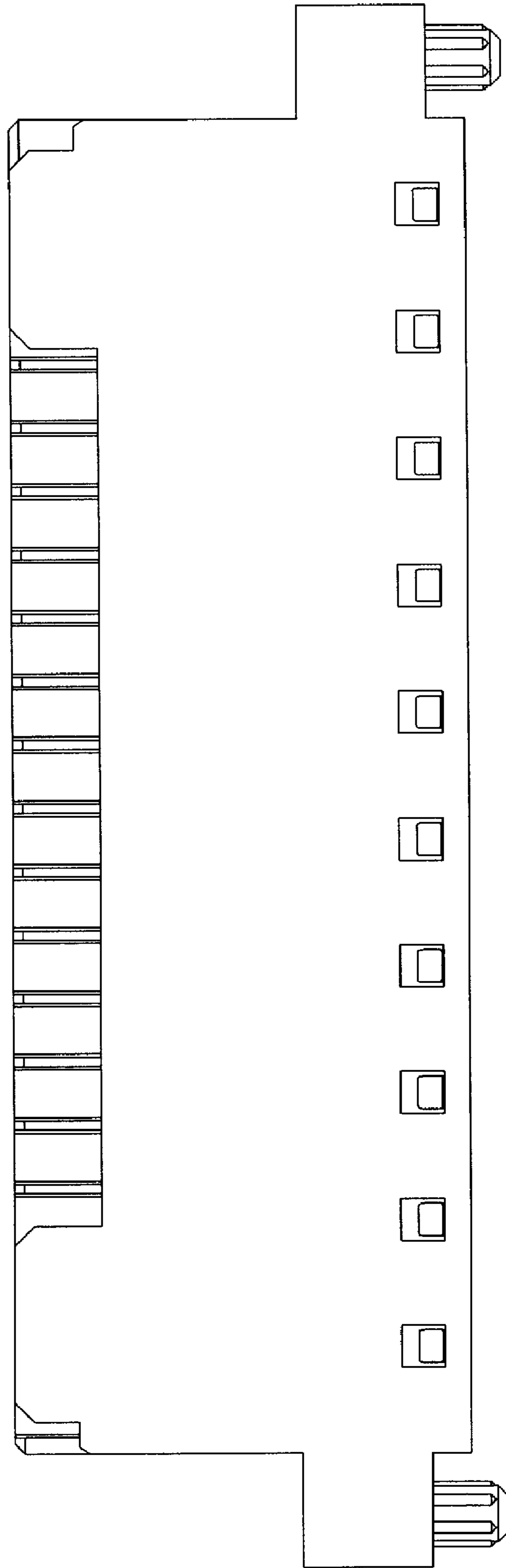


FIG. 2

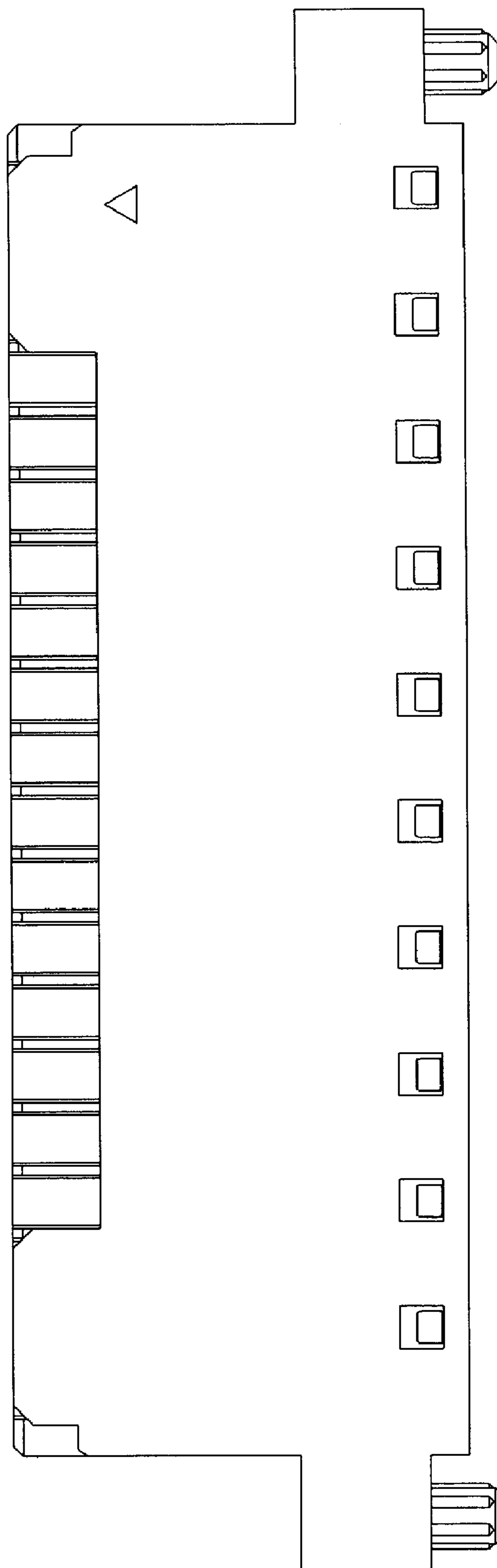


FIG. 3

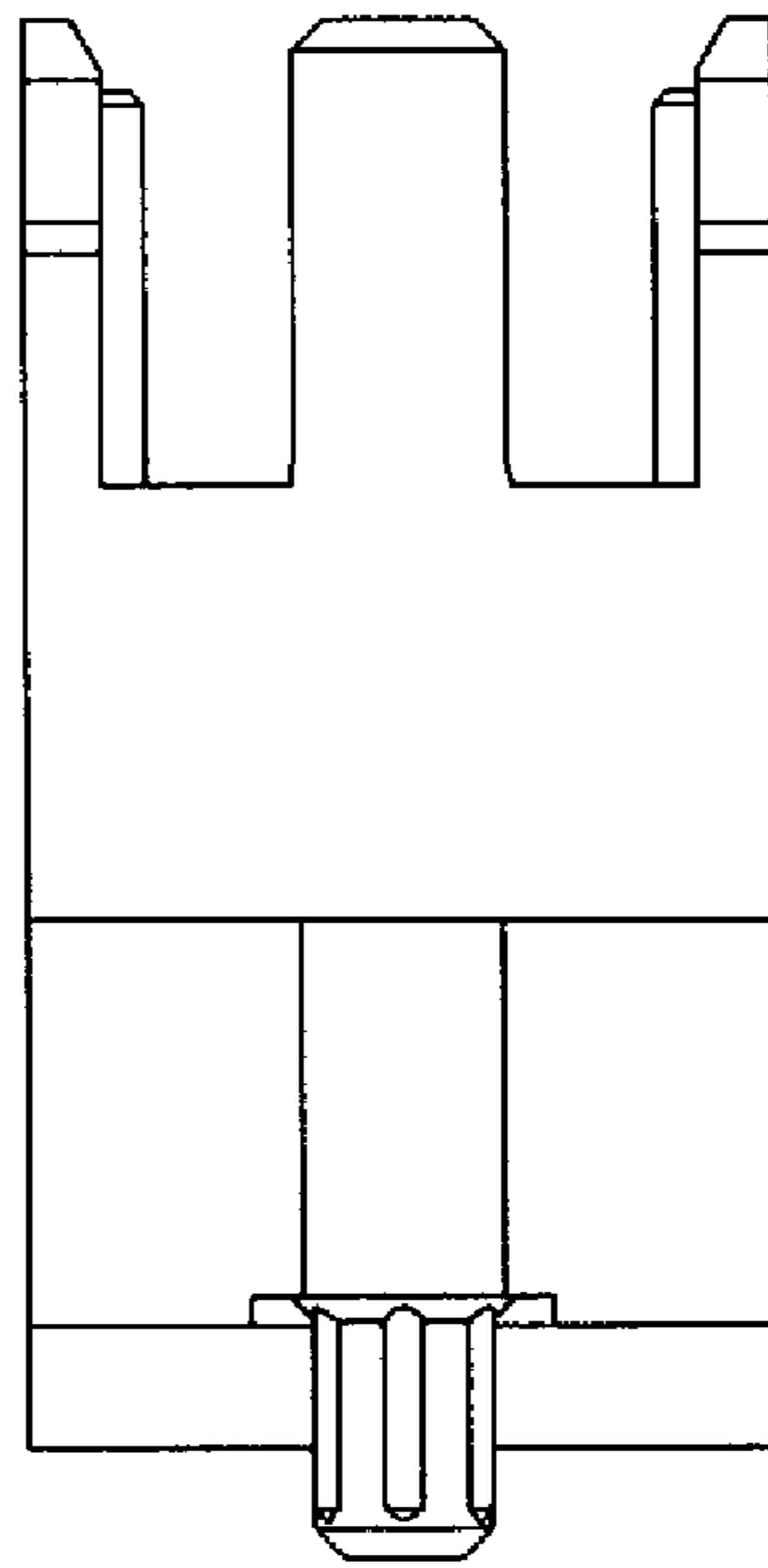


FIG. 4

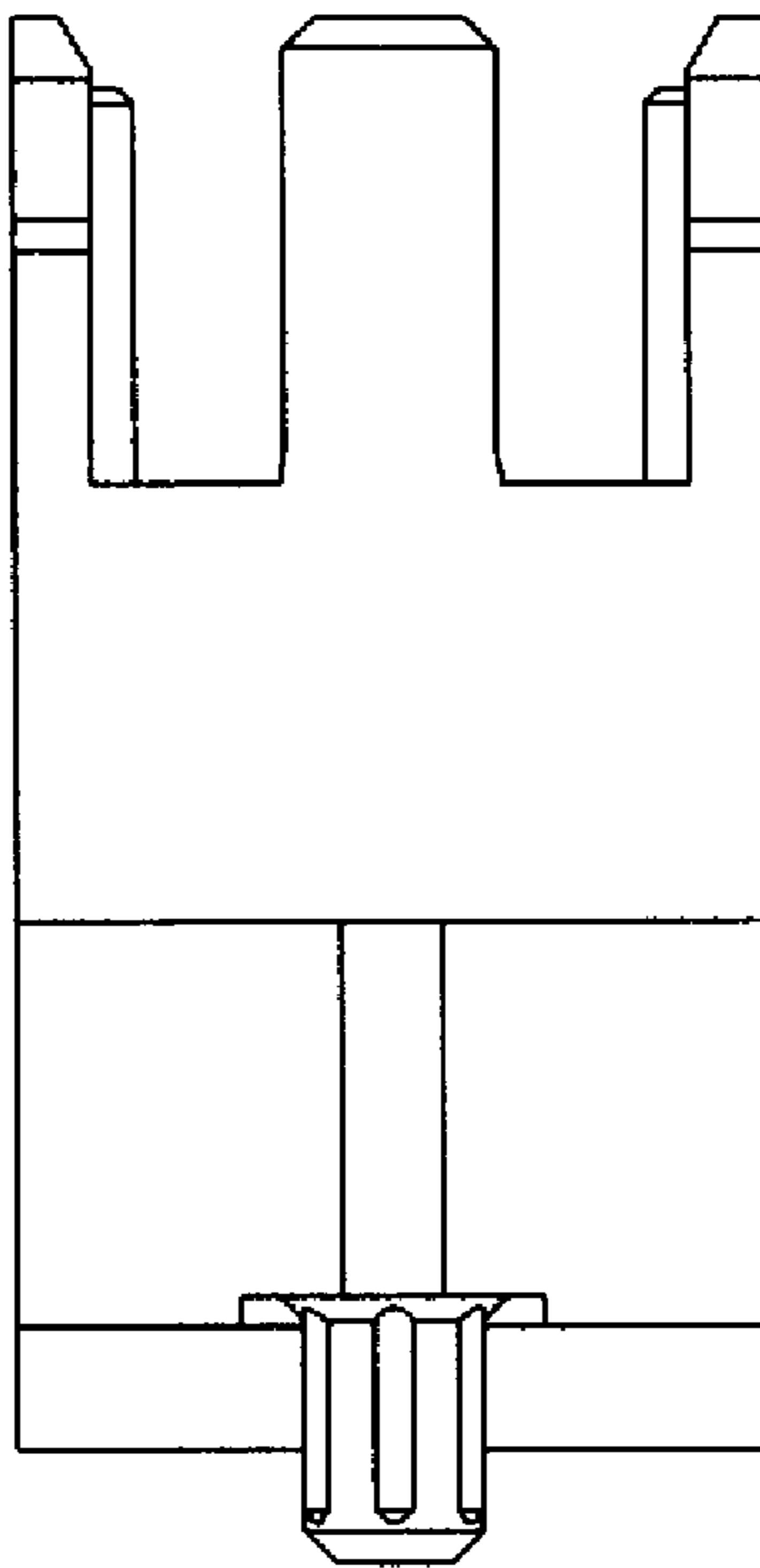


FIG. 5

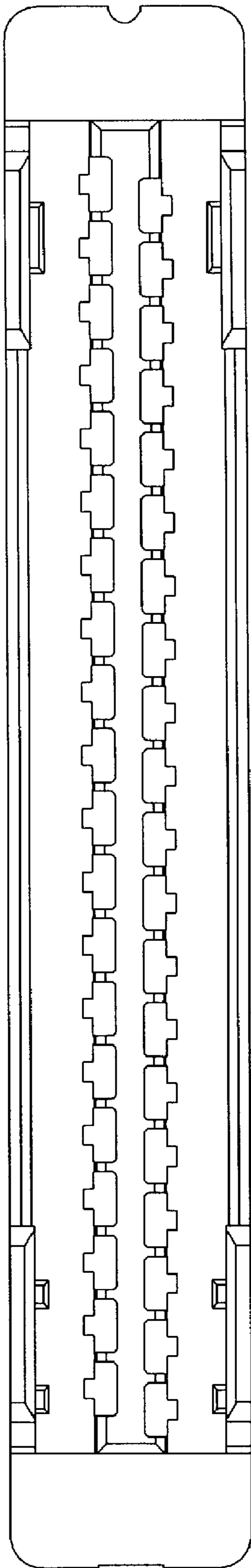


FIG. 6

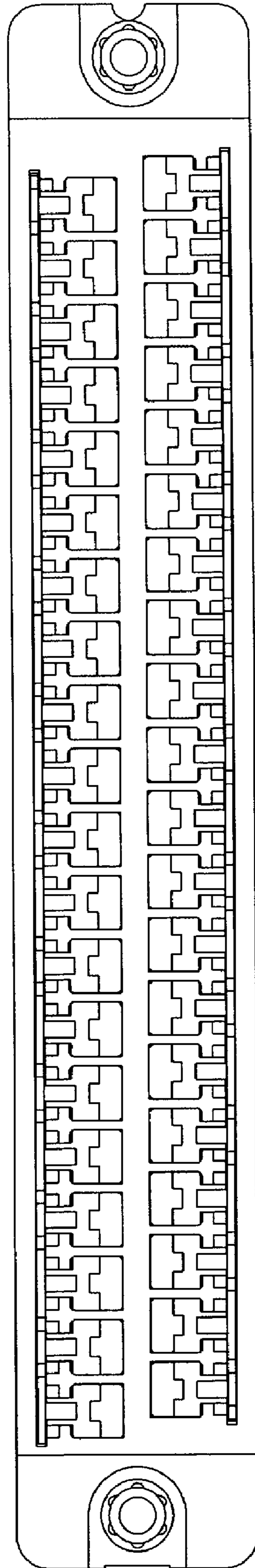


FIG. 7

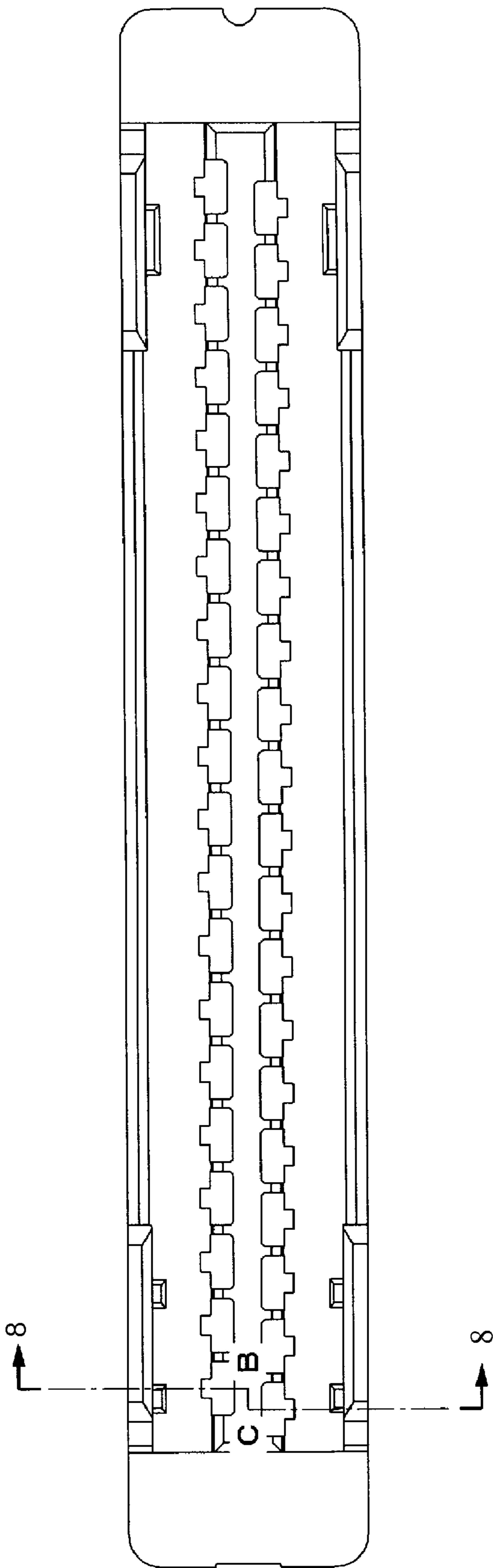




FIG. 8

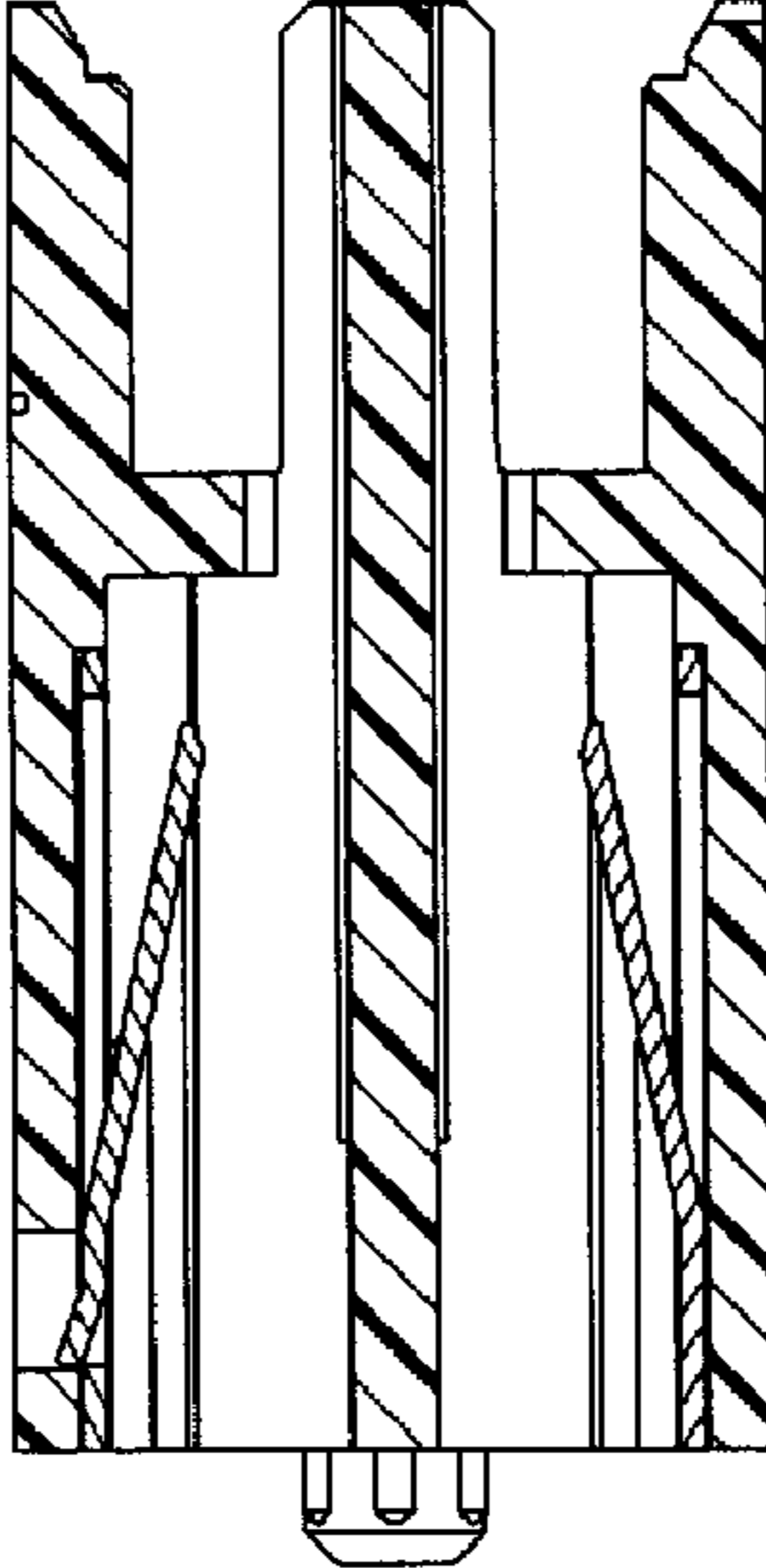


FIG. 9

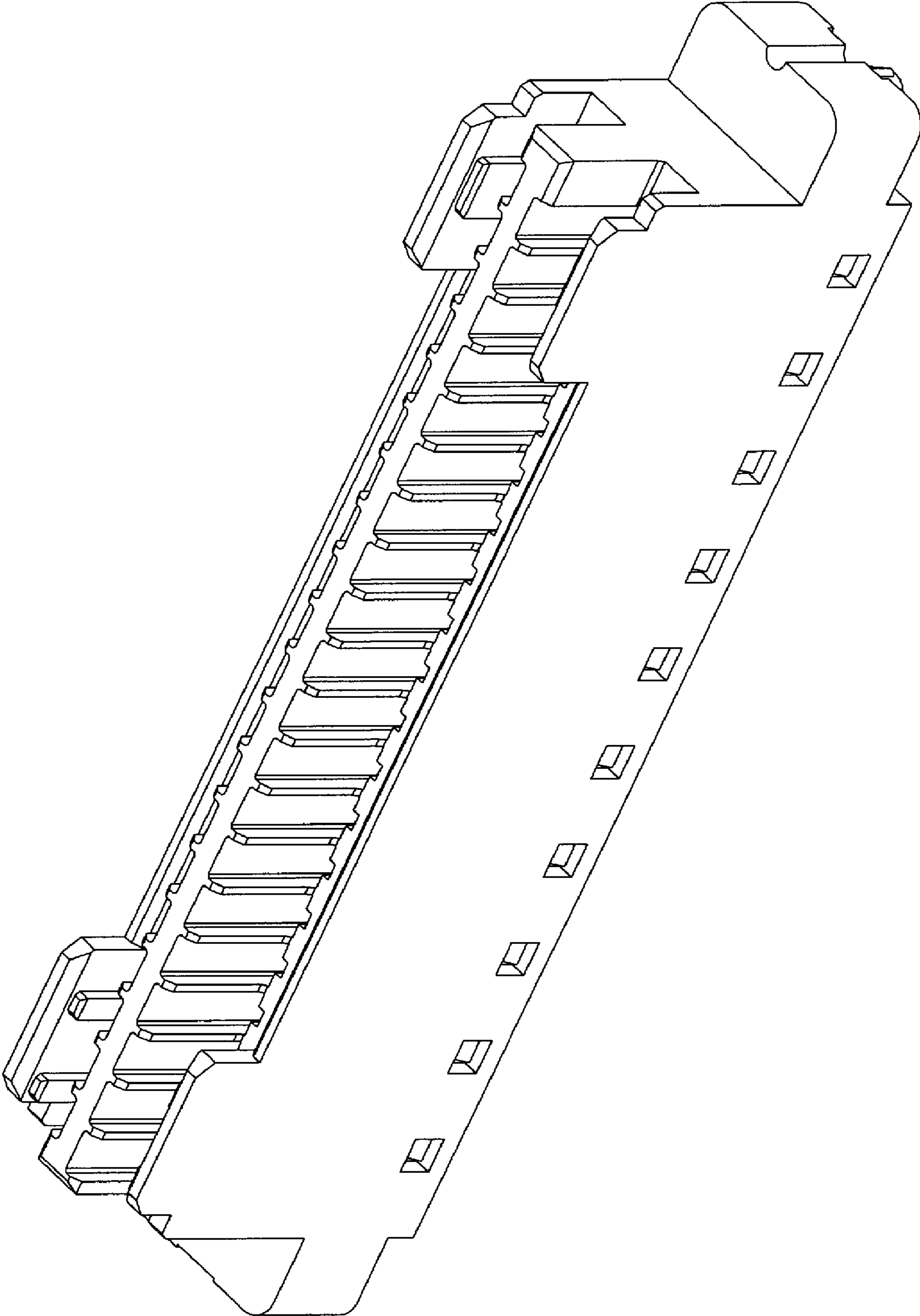


FIG. 10

