



US00D597947S

(12) **United States Design Patent**
Ono

(10) **Patent No.:** **US D597,947 S**

(45) **Date of Patent:** **** Aug. 11, 2009**

(54) **ELECTRIC CONNECTOR**

(75) Inventor: **Koji Ono**, Tokyo (JP)

(73) Assignee: **Honda Tsushin Kogyo Co., Ltd.**, Tokyo (JP)

(**) Term: **14 Years**

(21) Appl. No.: **29/300,235**

(22) Filed: **Mar. 4, 2008**

(30) **Foreign Application Priority Data**

Sep. 19, 2007 (JP) 2007-025270

(51) **LOC (9) Cl.** **13-03**

(52) **U.S. Cl.** **D13/133**

(58) **Field of Classification Search** D13/133,
D13/146, 147, 154, 184, 199; 439/314-322,
439/680, 752

See application file for complete search history.

(56) **References Cited**

U.S. PATENT DOCUMENTS

D204,674 S *	5/1966	Trimble	D13/133
3,885,849 A *	5/1975	Bailey et al.	439/518
3,926,499 A *	12/1975	Bailey et al.	439/610
D275,848 S *	10/1984	Ricossa	D13/133
D278,230 S *	4/1985	Kominiak et al.	D13/133
D322,954 S *	1/1992	Avramovich	D13/133
D373,568 S *	9/1996	Bloom et al.	D13/133
D461,448 S *	8/2002	Amin	D13/133
D499,071 S *	11/2004	Conway et al.	D13/133

D521,931 S *	5/2006	Tufano, Jr.	D13/133
7,350,832 B1 *	4/2008	Kiely	285/354
2008/0053680 A1 *	3/2008	Kiely et al.	174/70 R

* cited by examiner

Primary Examiner—Daniel D Bui

Assistant Examiner—Thomas J Johannes

(74) *Attorney, Agent, or Firm*—Wenderoth, Lind & Ponack, L.L.P.

(57) **CLAIM**

The original design for an electric connector, as shown and described.

DESCRIPTION

FIG. 1 is a perspective view of an electric connector showing my new design;

FIG. 2 is a front elevational view thereof;

FIG. 3 is a top plan view thereof;

FIG. 4 is a right side elevational view thereof;

FIG. 5 is a left side elevational view thereof;

FIG. 6 is a perspective view of half of the connector, enlarged and shown in isolation to reveal a jack component for clarity; and,

FIG. 7 is a perspective view of half of the connector, enlarged and shown in isolation to reveal a plug component for clarity.

The broken line showing in the drawings is included to show unclaimed internal subject matter and forms no part of the claimed design.

1 Claim, 3 Drawing Sheets

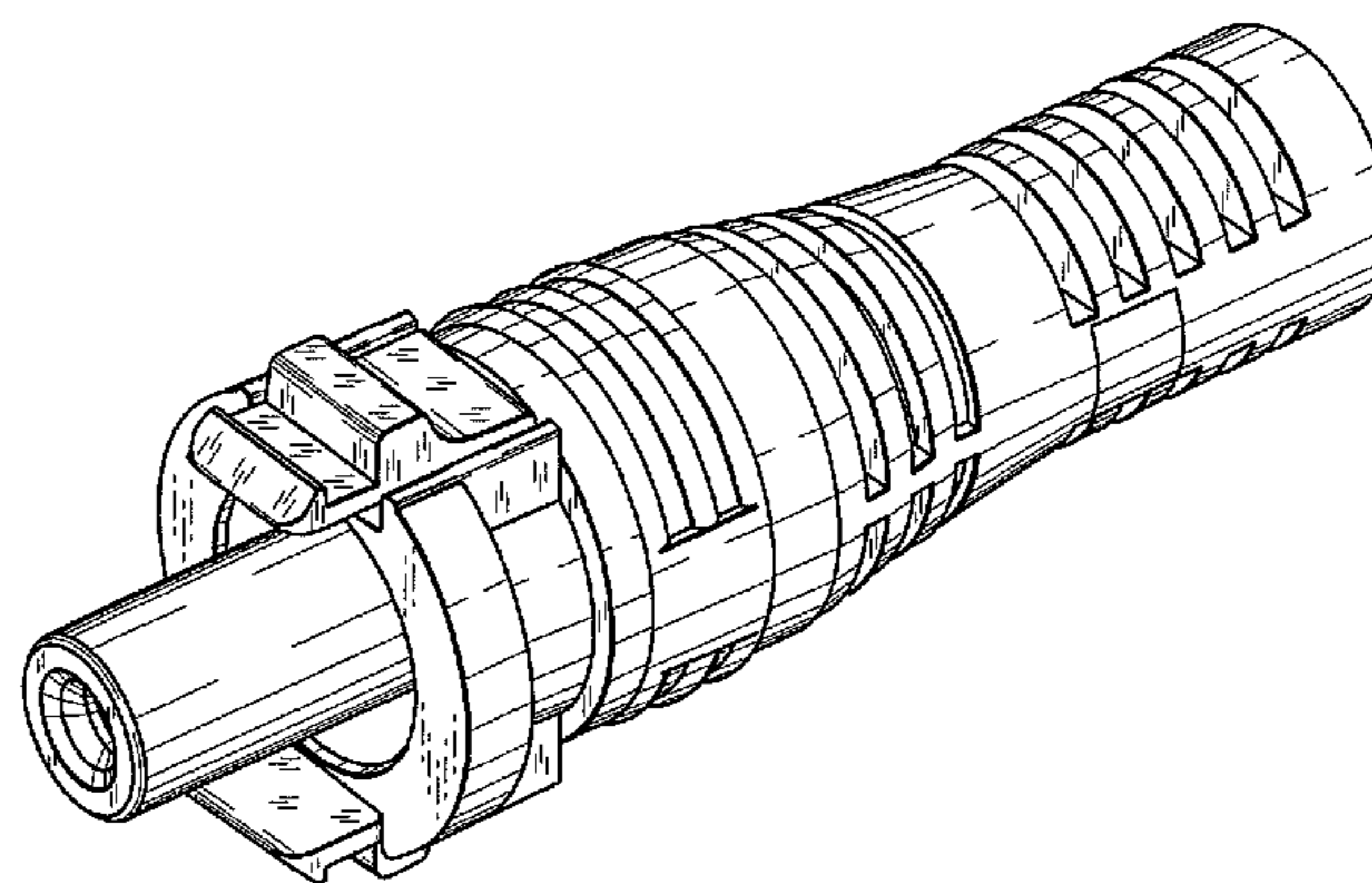
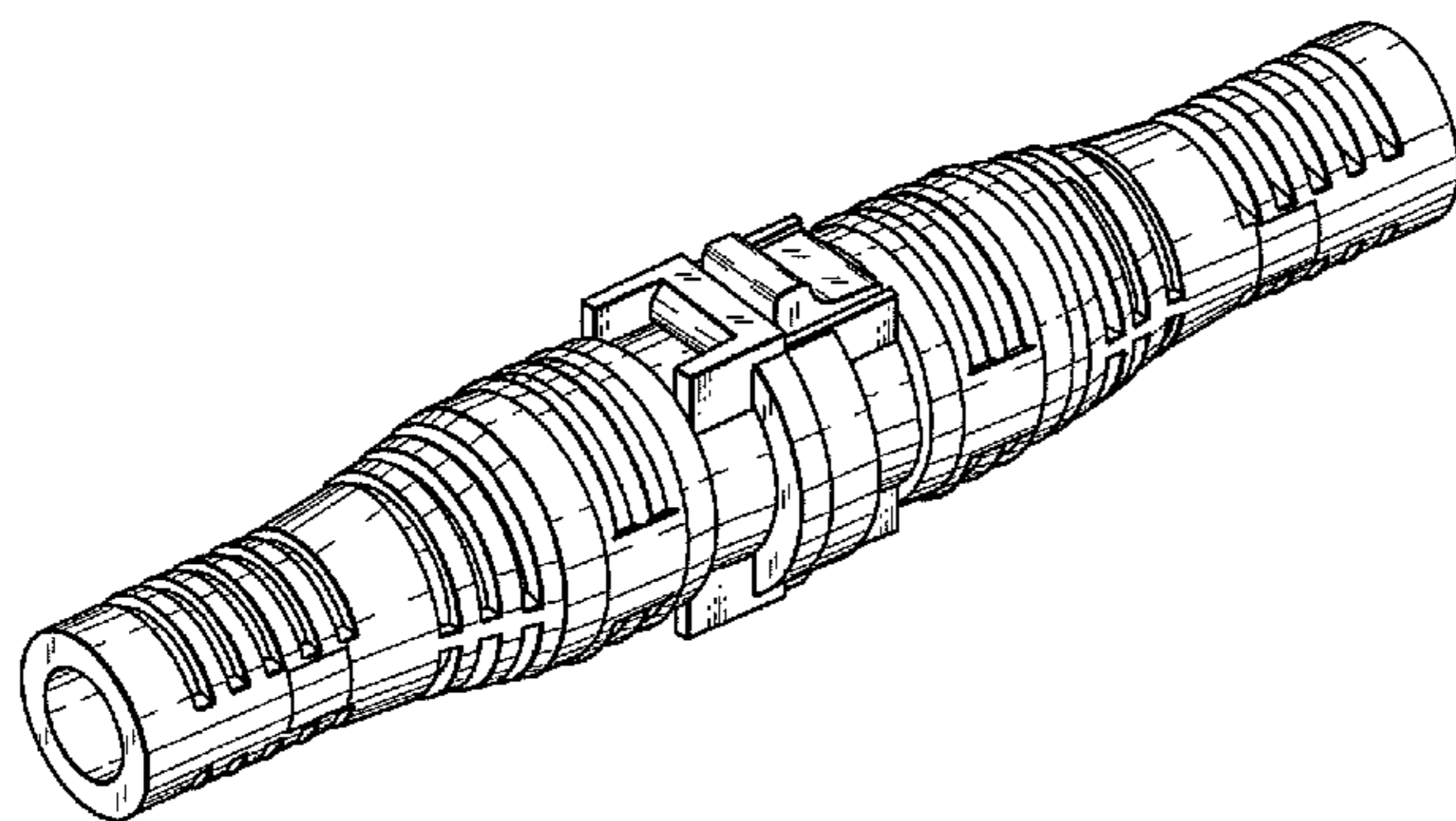


Fig. 1

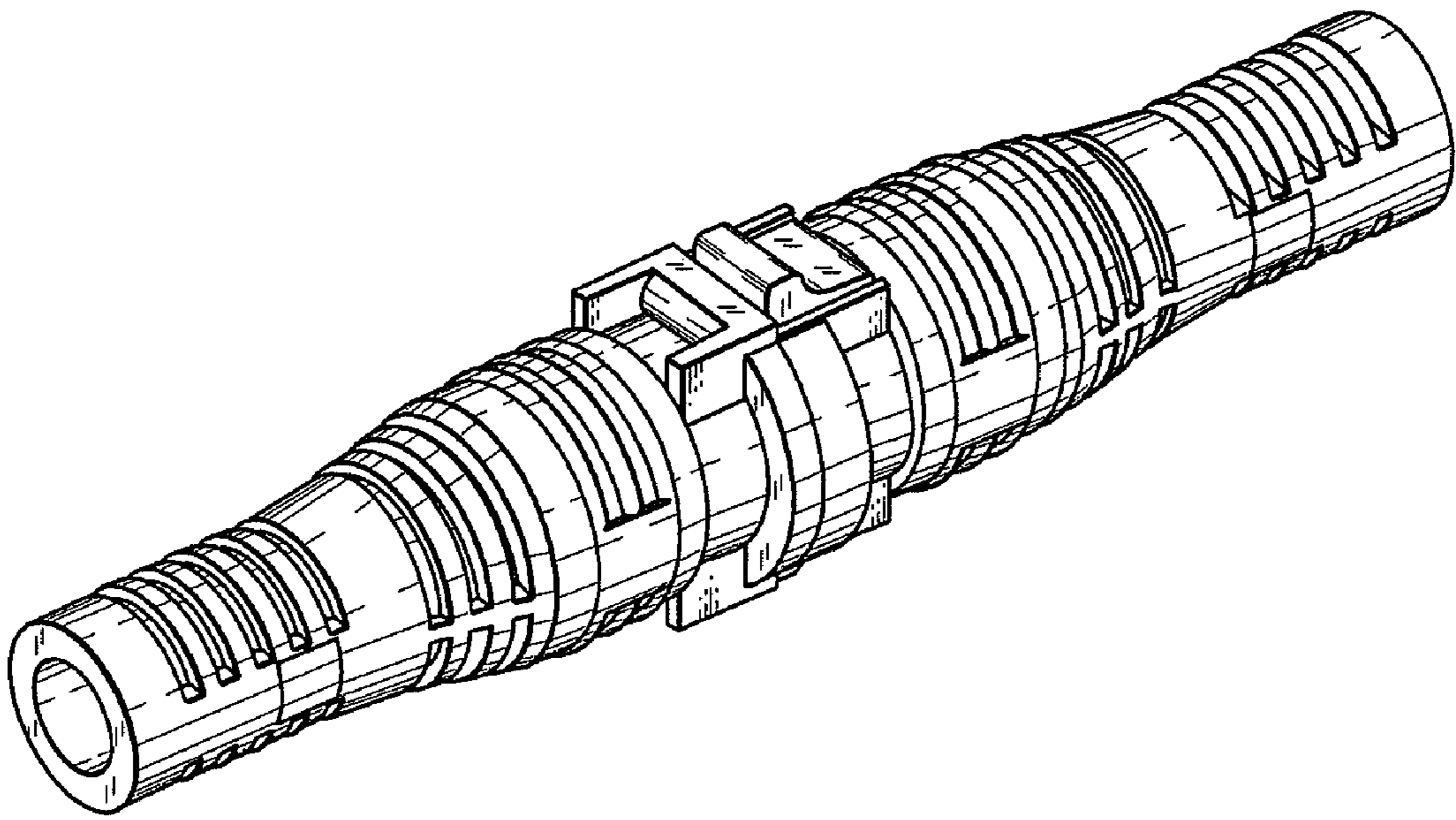


Fig. 2

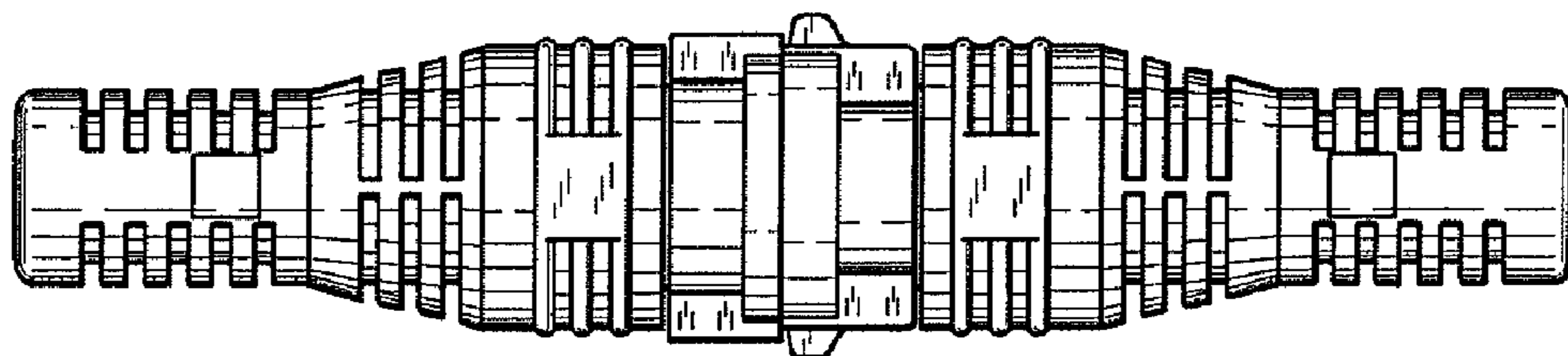


Fig. 3

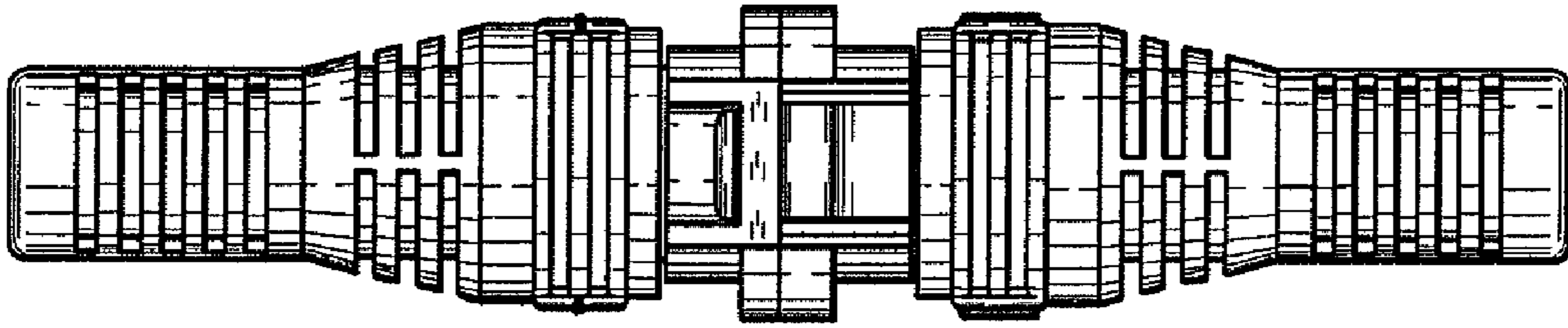


Fig. 4

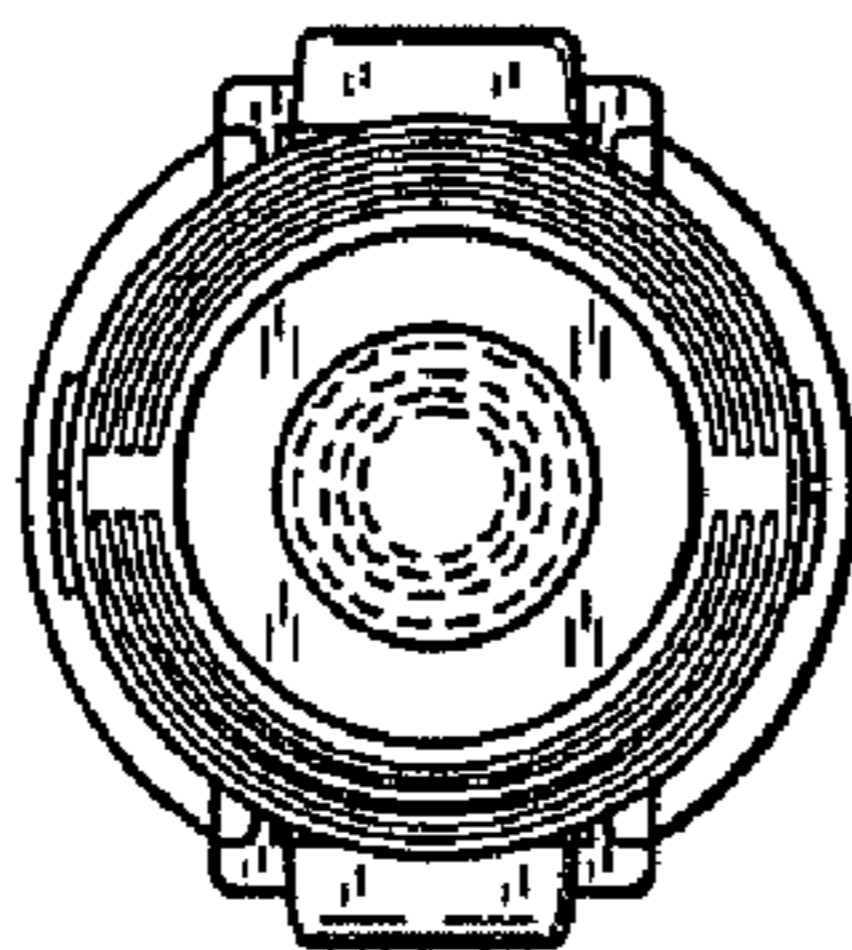


Fig. 5

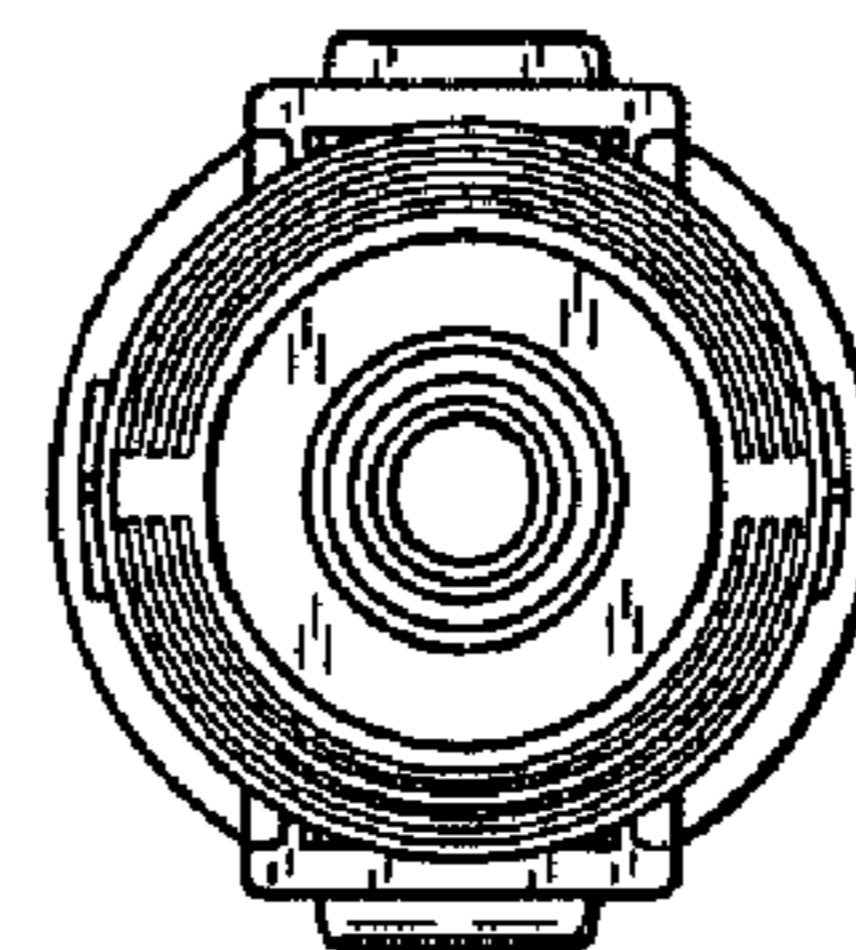


Fig. 6

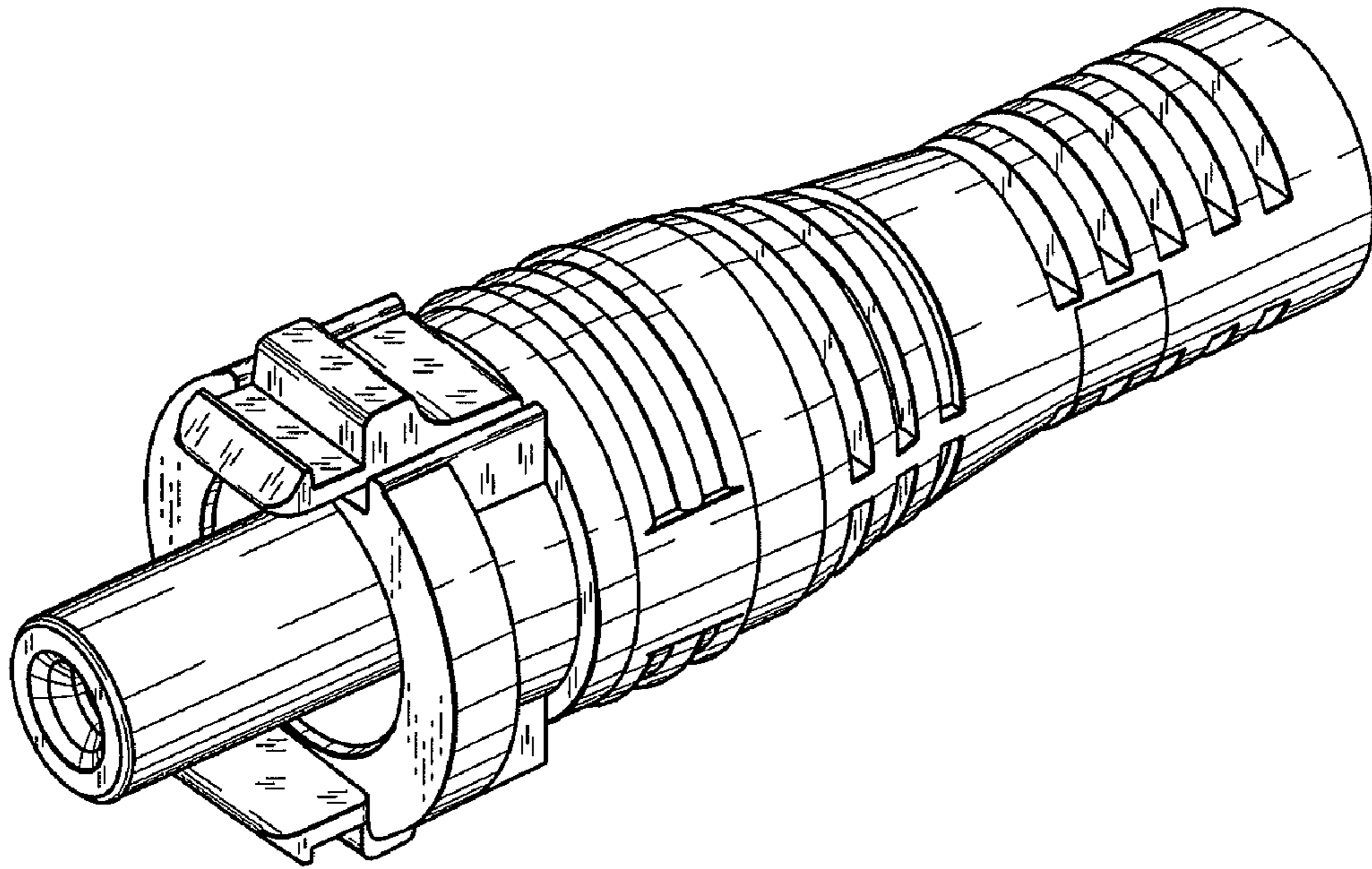


Fig. 7

