



US00D597946S

(12) **United States Design Patent**  
**Li**

(10) **Patent No.:** **US D597,946 S**

(45) **Date of Patent:** **\*\* Aug. 11, 2009**

(54) **CONNECTOR**

(76) Inventor: **Jacky Li**, 701, 7/F, Sunbeam Center 27  
Shing Yip Street, Kwun Tong, Kowloon  
(HK)

(\*\*) Term: **14 Years**

(21) Appl. No.: **29/290,388**

(22) Filed: **Nov. 29, 2007**

(51) **LOC (9) Cl.** ..... **13-03**

(52) **U.S. Cl.** ..... **D13/133**

(58) **Field of Classification Search** ..... D13/133,  
D13/146, 147, 153, 154, 184; 439/489, 502,  
439/505, 578, 607-610, 623, 680, 686  
See application file for complete search history.

(56) **References Cited**

U.S. PATENT DOCUMENTS

D516,032 S *	2/2006	Suckle et al.	.....	D13/147
D520,459 S *	5/2006	Kent et al.	.....	D13/156
D543,148 S *	5/2007	Suckle et al.	.....	D13/146
D543,156 S *	5/2007	Suckle	.....	D13/154
D544,443 S *	6/2007	Yang et al.	.....	D13/133
D552,560 S *	10/2007	Victor	.....	D13/154

D555,094 S *	11/2007	Victor et al.	.....	D13/133
D584,689 S *	1/2009	Slawson et al.	.....	D13/133
D586,750 S *	2/2009	Li	.....	D13/133

\* cited by examiner

*Primary Examiner*—Daniel D Bui

*Assistant Examiner*—Thomas J Johannes

(74) *Attorney, Agent, or Firm*—Holland & Knight LLP

(57) **CLAIM**

We claim the ornamental design for a connector, as shown and described.

**DESCRIPTION**

FIG. 1 is a front view of a connector, showing our new design;

FIG. 2 is a back view thereof;

FIG. 3 is a left side view thereof;

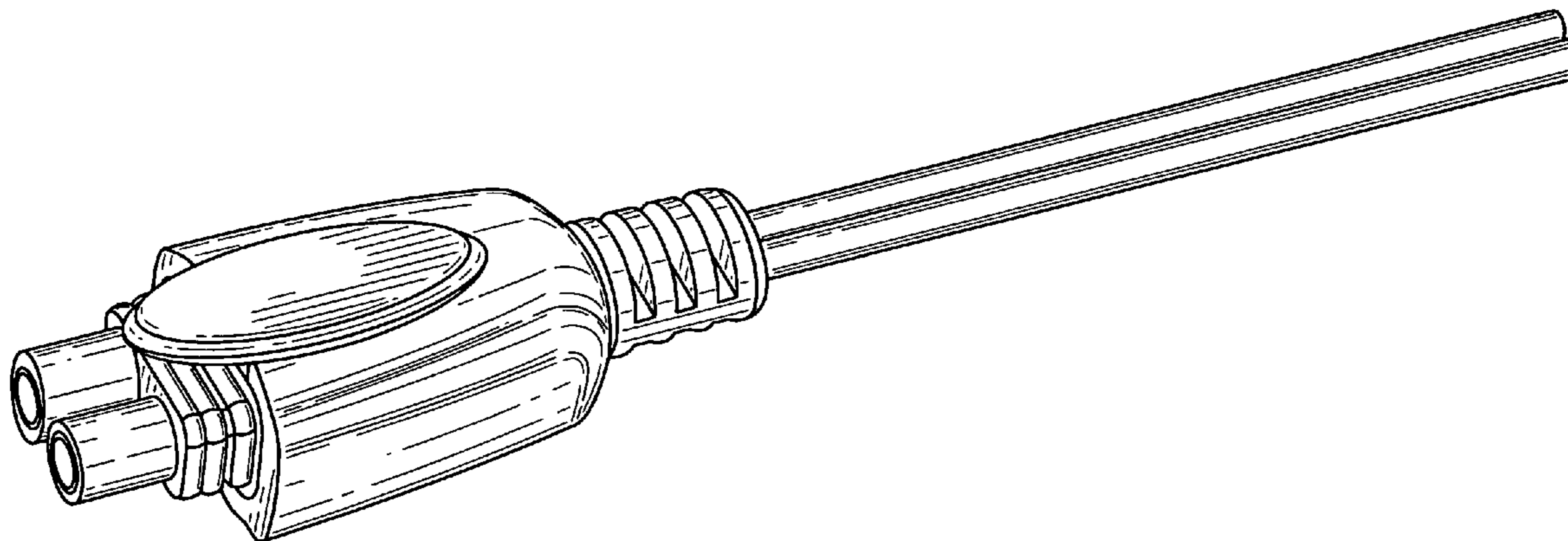
FIG. 4 is a right side view thereof;

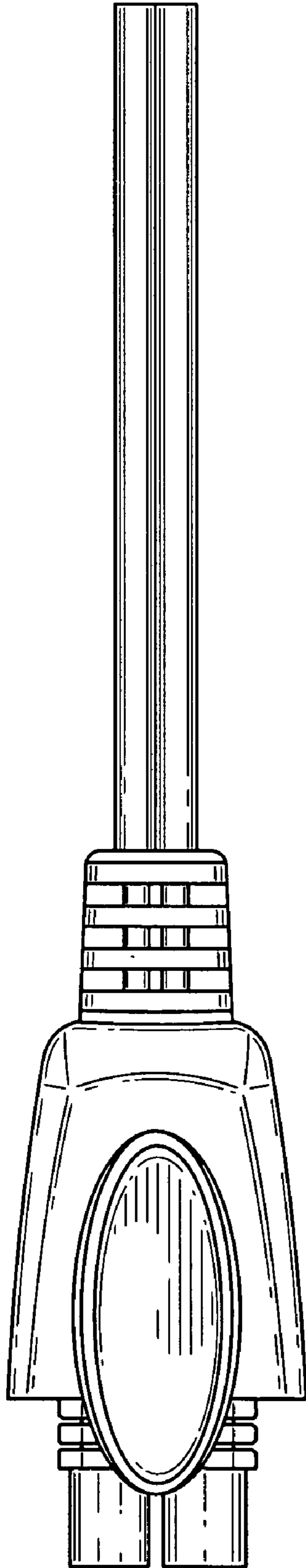
FIG. 5 is a bottom view thereof;

FIG. 6 is a top view thereof; and,

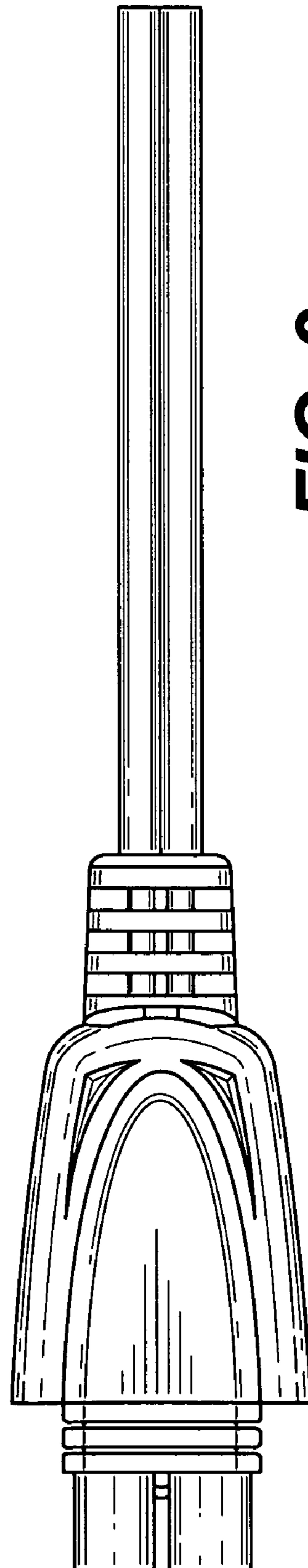
FIG. 7 is a front perspective view thereof.

**1 Claim, 4 Drawing Sheets**

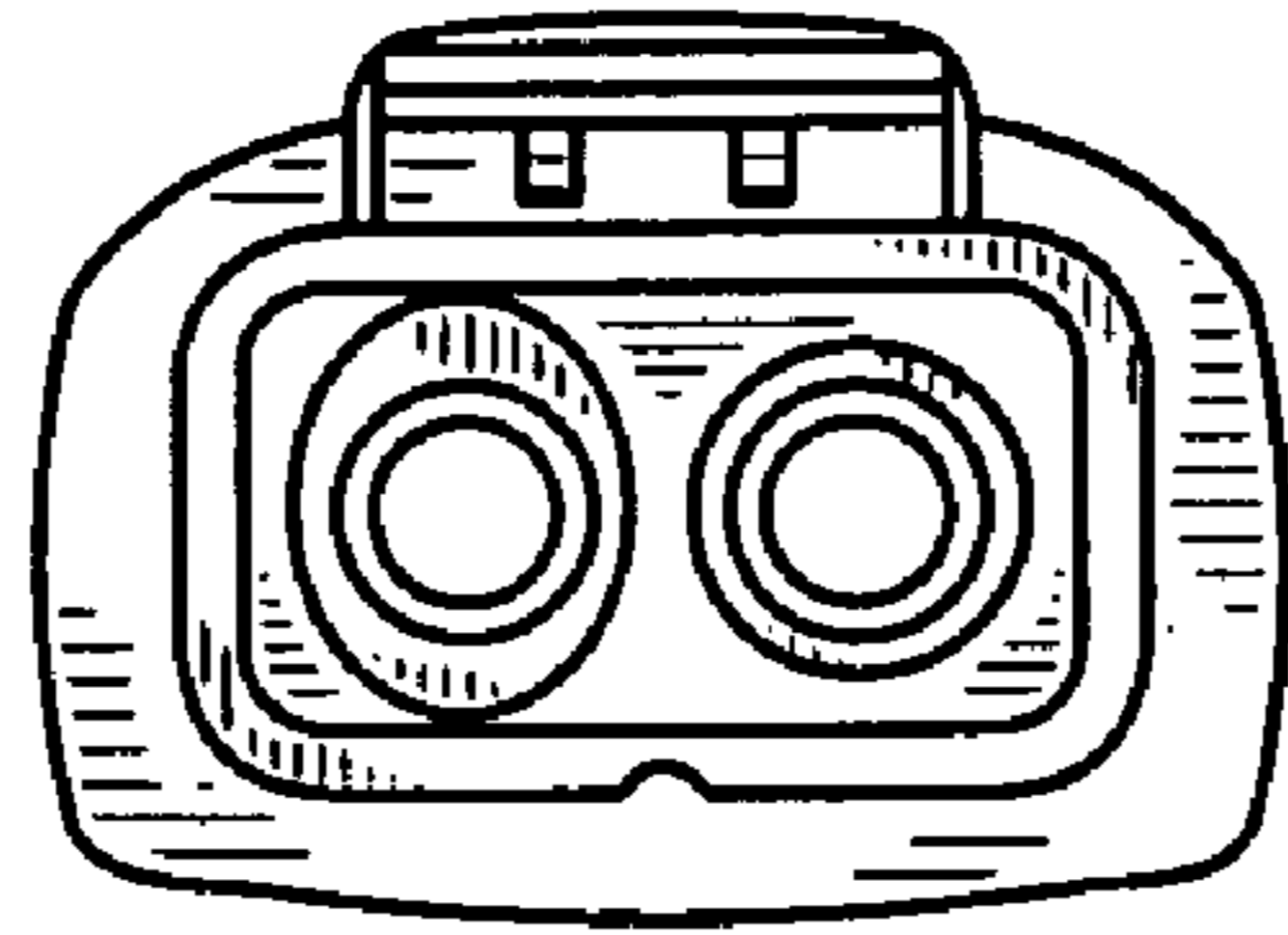




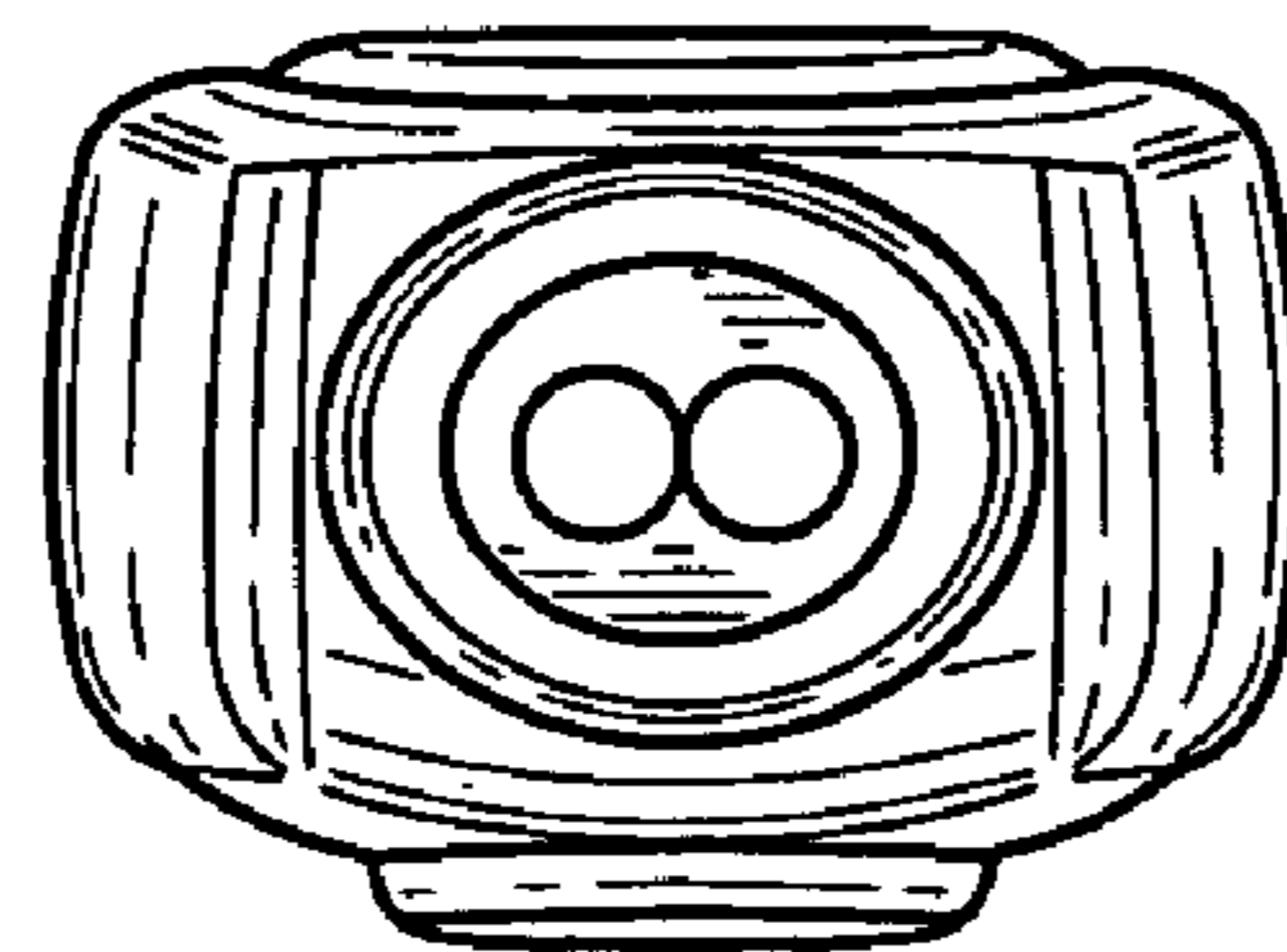
**FIG. 1**



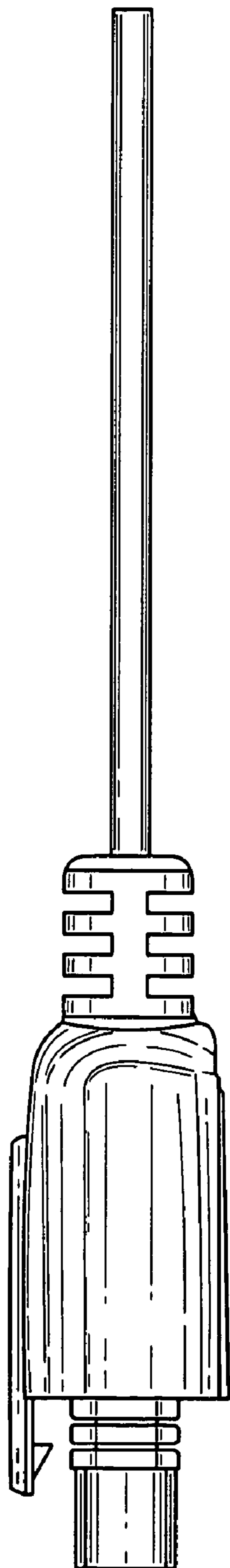
**FIG. 2**



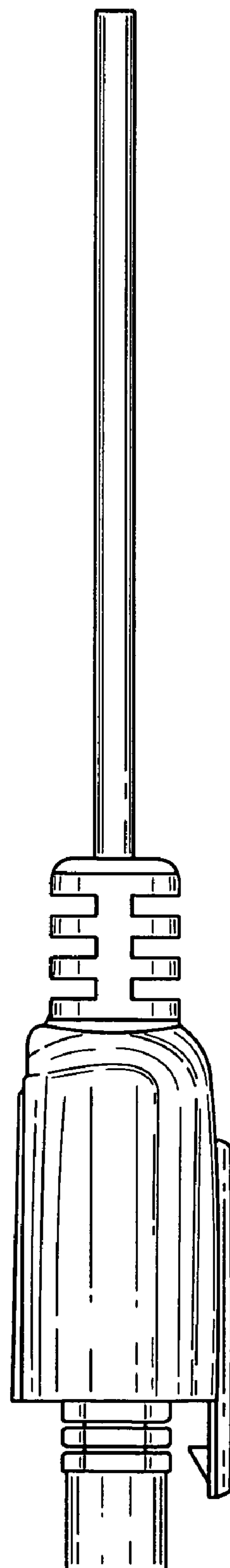
**FIG. 4**



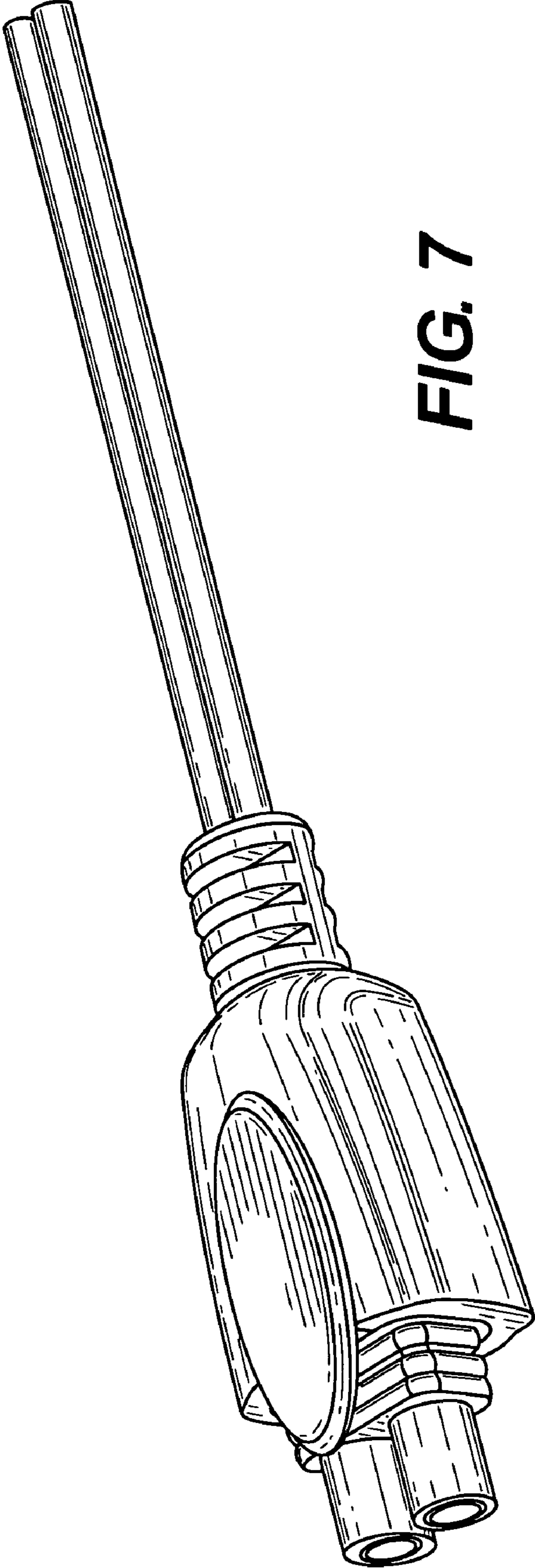
**FIG. 3**



**FIG. 5**



**FIG. 6**



**FIG. 7**