



US00D597945S

(12) **United States Design Patent**
Takamura

(10) **Patent No.:** **US D597,945 S**

(45) **Date of Patent:** **** Aug. 11, 2009**

(54) **CONTROL PANEL FOR A PORTABLE GENERATOR**

7,089,889 B2 8/2006 Johnson et al.
7,224,578 B2 5/2007 Buck et al.
D546,770 S 7/2007 Herbstritt
2002/0180407 A1 12/2002 Buck et al.

(76) Inventor: **John Takamura**, P.O. Box 3232,
Carefree, AZ (US) 85377-3232

* cited by examiner

(**) Term: **14 Years**

Primary Examiner—Prabhakar Deshmukh

Assistant Examiner—Derrick Holland

(21) Appl. No.: **29/326,687**

(74) *Attorney, Agent, or Firm*—Turner Padgett Graham & Laney

(22) Filed: **Oct. 22, 2008**

(51) **LOC (9) Cl.** **13-01**

(57) **CLAIM**

(52) **U.S. Cl.** **D13/122**

The ornamental design for a control panel for a portable generator, as shown and described.

(58) **Field of Classification Search** D13/122,
D13/112, 114, 116, 118, 162, 164, 177, 184,
D13/199; 290/1 A, 1 B; 307/150, 153

DESCRIPTION

See application file for complete search history.

FIG. 1 is a front perspective view of a control panel for a portable generator showing my new design;

(56) **References Cited**

FIG. 2 is a front elevation view thereof;

U.S. PATENT DOCUMENTS

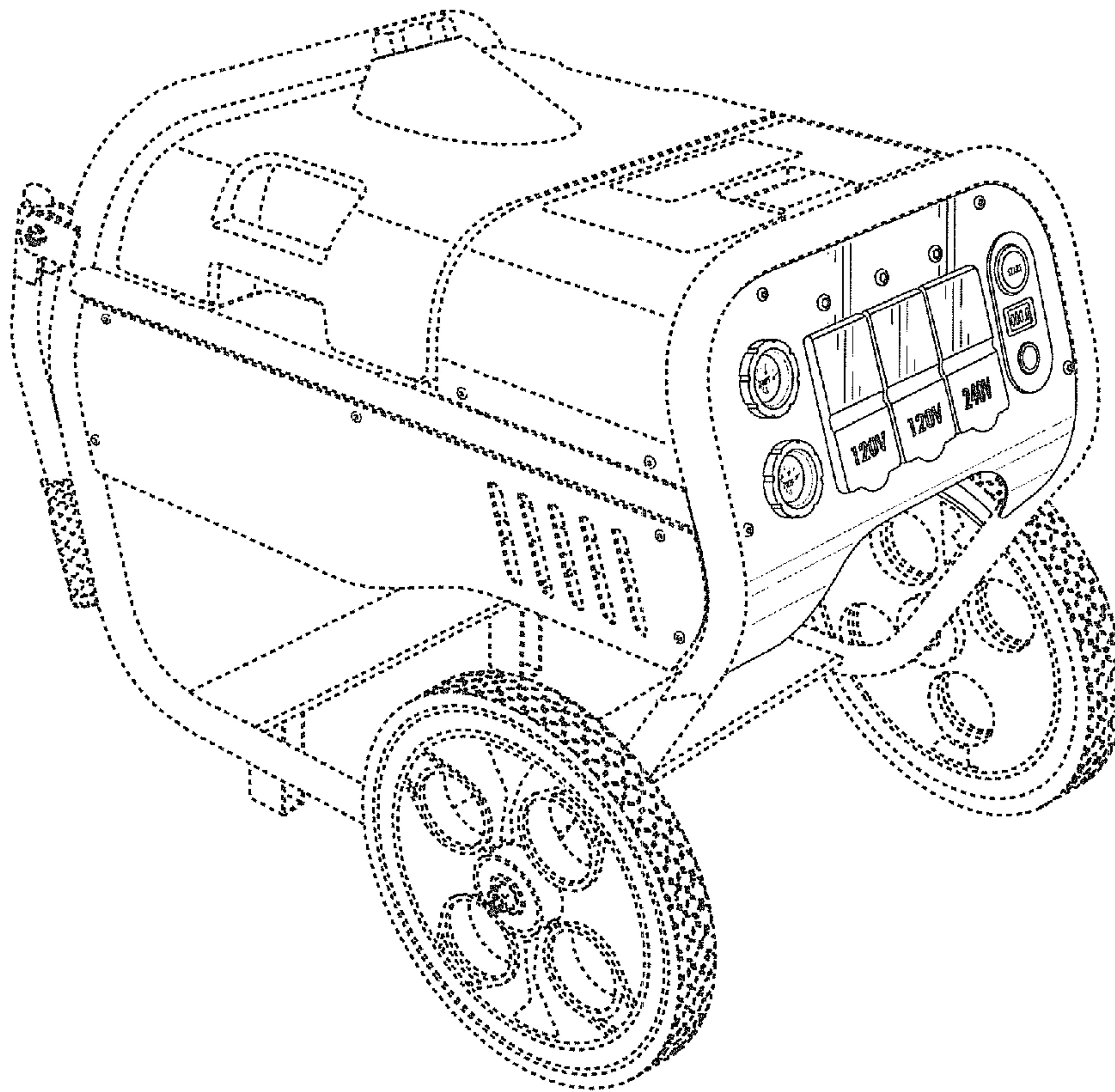
FIG. 3 is a rear elevation view thereof; and,

3,358,190 A	12/1967	Mathison	
3,554,021 A	1/1971	Burridge	
D258,651 S *	3/1981	Unger et al.	D13/164
D263,582 S	3/1982	Turner	
D277,954 S *	3/1985	Mizushima	D13/114
D406,830 S	3/1999	Herbstritt et al.	
6,181,019 B1 *	1/2001	Frank	290/1 A
6,331,740 B1 *	12/2001	Morohoshi et al.	290/1 A
D491,524 S *	6/2004	Imai	D13/122

FIG. 4 is a top plan view thereof.

The broken lines immediately adjacent to the claimed areas in the views represent boundaries of the design. Other broken lines shown represent unclaimed subject matter. None of the broken lines form any part of the claimed design.

1 Claim, 4 Drawing Sheets



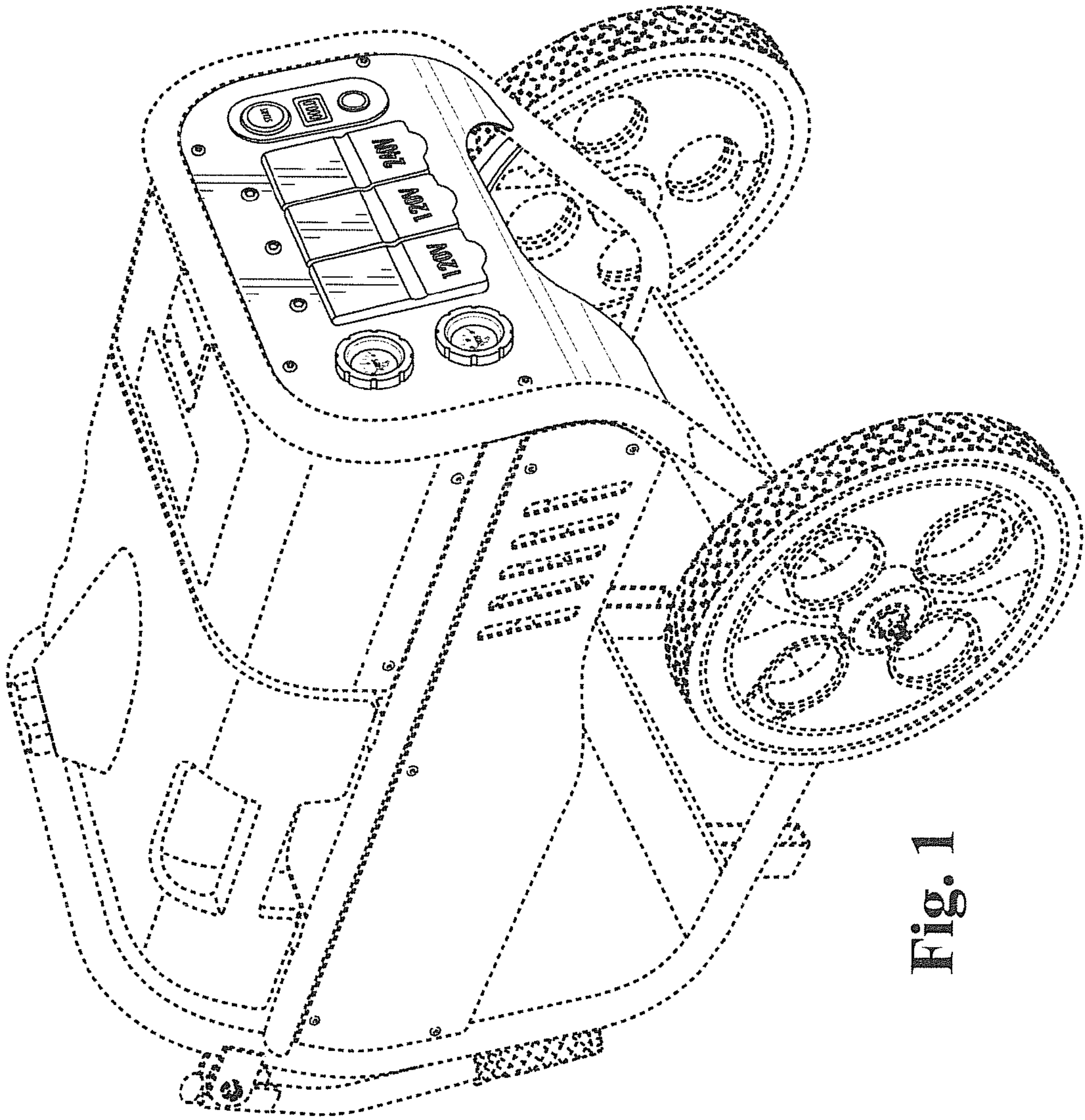


Fig. 1

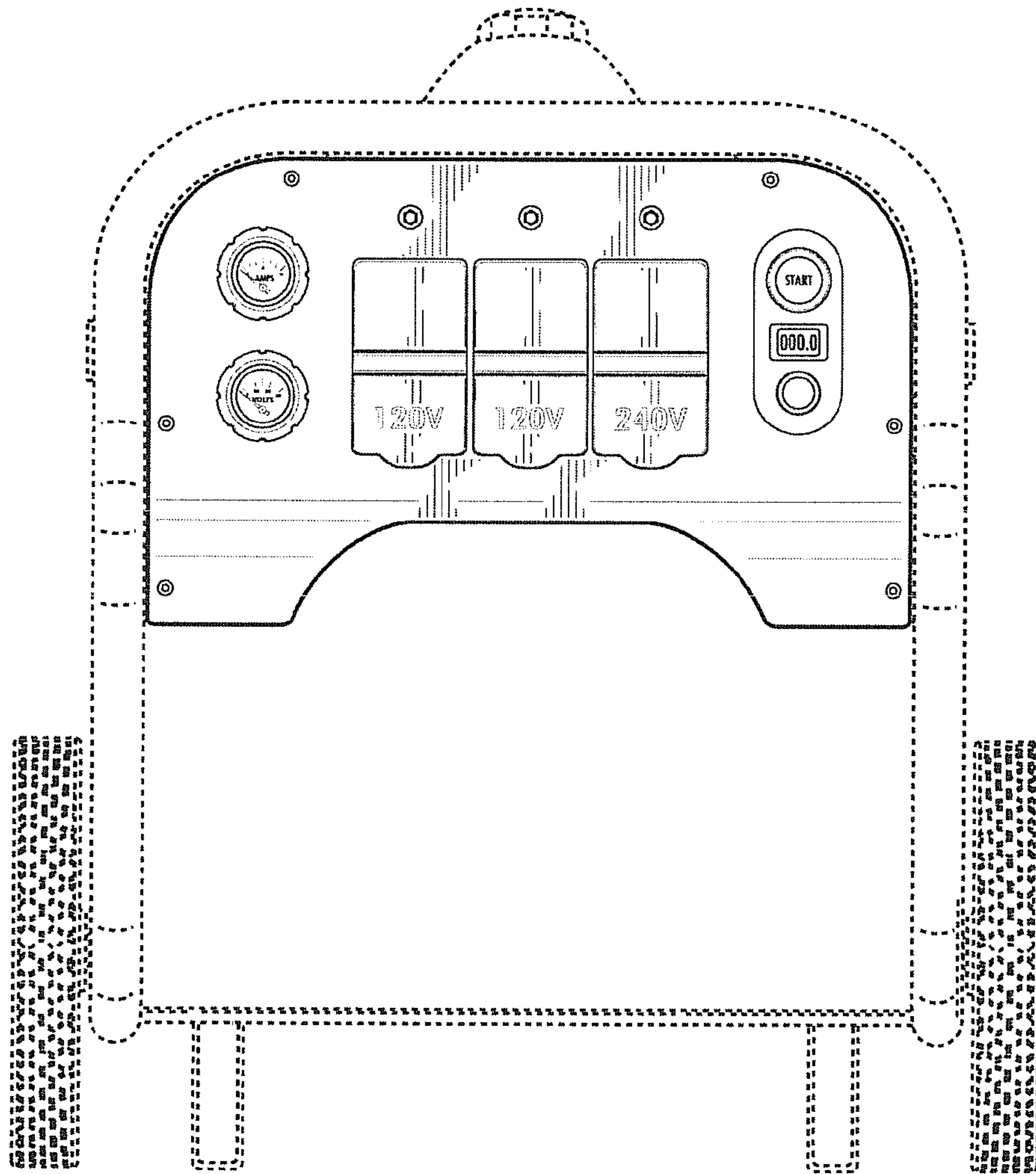


Fig. 2

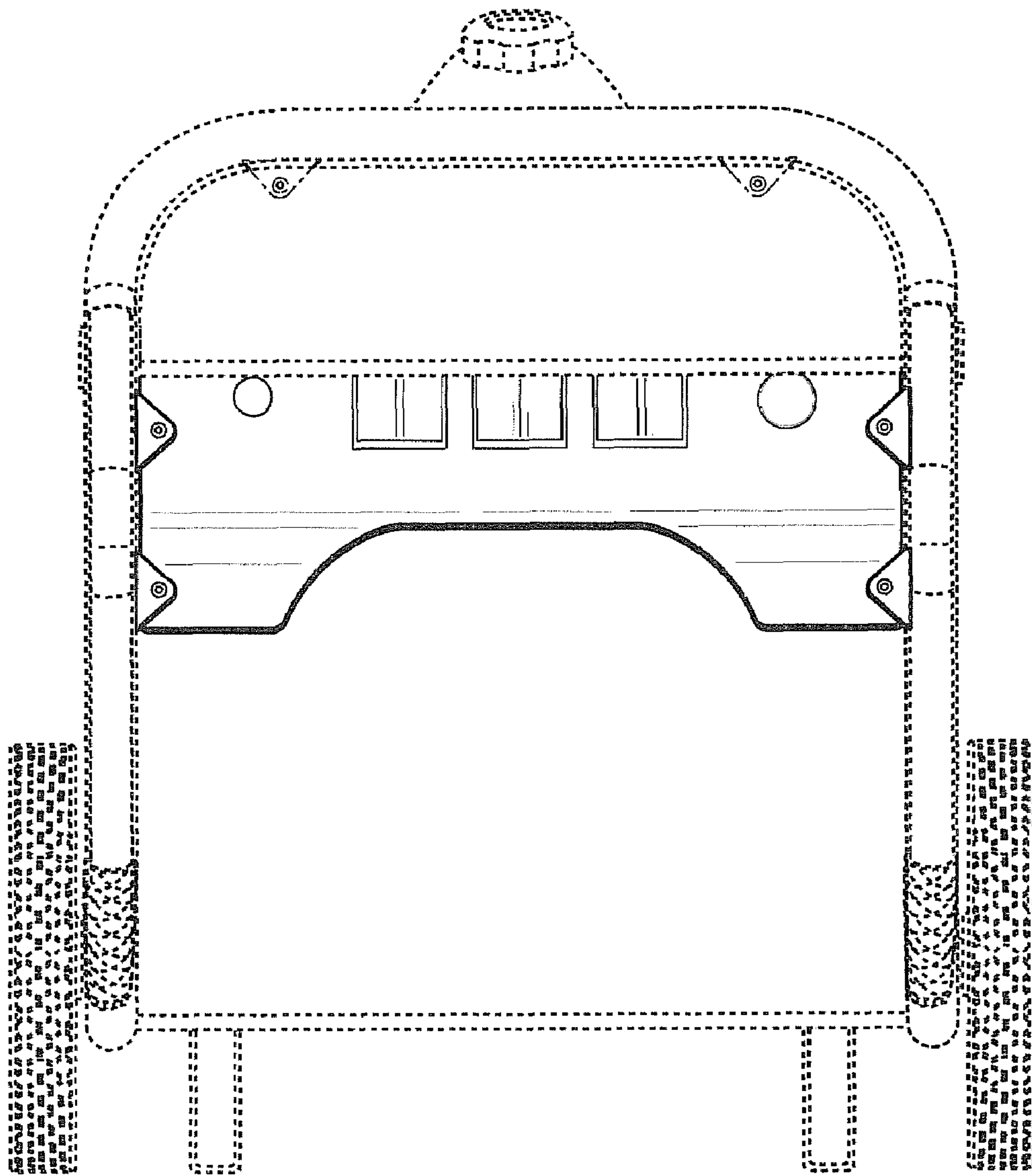


Fig. 3

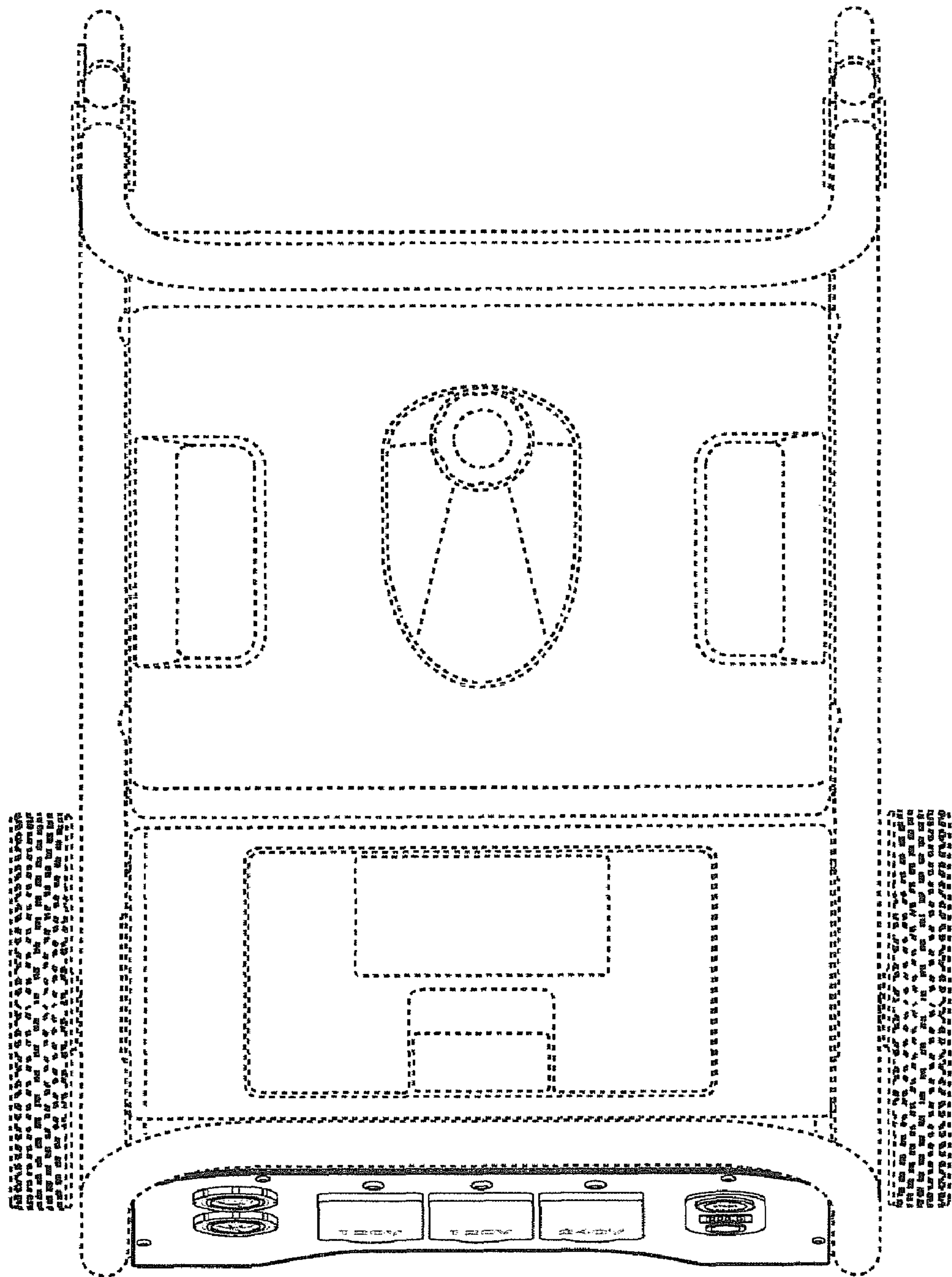


Fig. 4