



US00D597944S

(12) **United States Design Patent**
Takamura

(10) **Patent No.:** **US D597,944 S**

(45) **Date of Patent:** **** Aug. 11, 2009**

(54) **PORTABLE ELECTRICITY GENERATOR CHASSIS**

(76) Inventor: **John Takamura**, P.O. Box 3232,
Carefree, AZ (US) 85377-3232

(**) Term: **14 Years**

(21) Appl. No.: **29/326,684**

(22) Filed: **Oct. 22, 2008**

(51) **LOC (9) Cl.** **13-01**

(52) **U.S. Cl.** **D13/116**

(58) **Field of Classification Search** D13/116,
D13/112, 114, 122, 199; 290/1 A, 1 B; 307/152,
307/153; 310/50, 89

See application file for complete search history.

(56) **References Cited**

U.S. PATENT DOCUMENTS

D276,997 S *	1/1985	Mikado	D13/116
D441,714 S *	5/2001	Yuzuriha	D13/116
6,313,543 B1	11/2001	Frank		
6,331,740 B1 *	12/2001	Morohoshi et al.	290/1 A
6,525,430 B1 *	2/2003	Asai et al.	290/1 A
D489,327 S *	5/2004	Imai	D13/116
6,758,169 B2	7/2004	Suzuki et al.		
D516,508 S *	3/2006	Johnson	D13/116
D519,923 S *	5/2006	Imai	D13/116
7,089,889 B2	8/2006	Johnson et al.		
7,224,578 B2	5/2007	Buck et al.		
7,309,927 B2	12/2007	Sugiyama et al.		
D570,777 S	6/2008	Glass et al.		
D572,659 S	7/2008	Hawkins		
2004/0168654 A1	9/2004	Radtke		

* cited by examiner

Primary Examiner—Prabhakar Deshmukh

Assistant Examiner—Derrick Holland

(74) *Attorney, Agent, or Firm*—Turner Padgett Graham & Laney

(57) **CLAIM**

The ornamental design for a portable electricity generator chassis, as shown and described.

DESCRIPTION

FIG. 1 is a frontal perspective view of a portable electricity generator chassis showing my new design, with the handles in a folded configuration;

FIG. 2 is an enlarged partial frontal perspective view of the handles of FIG. 1;

FIG. 3 is a frontal perspective view of the portable electricity generator chassis of FIG. 1, in which the handles are extended;

FIG. 4 is a front elevational view of the portable electricity generator chassis of FIG. 1;

FIG. 5 is a rear elevational view of the portable electricity generator chassis of FIG. 1;

FIG. 6 is a left side elevational view of the portable electricity generator chassis of FIG. 1;

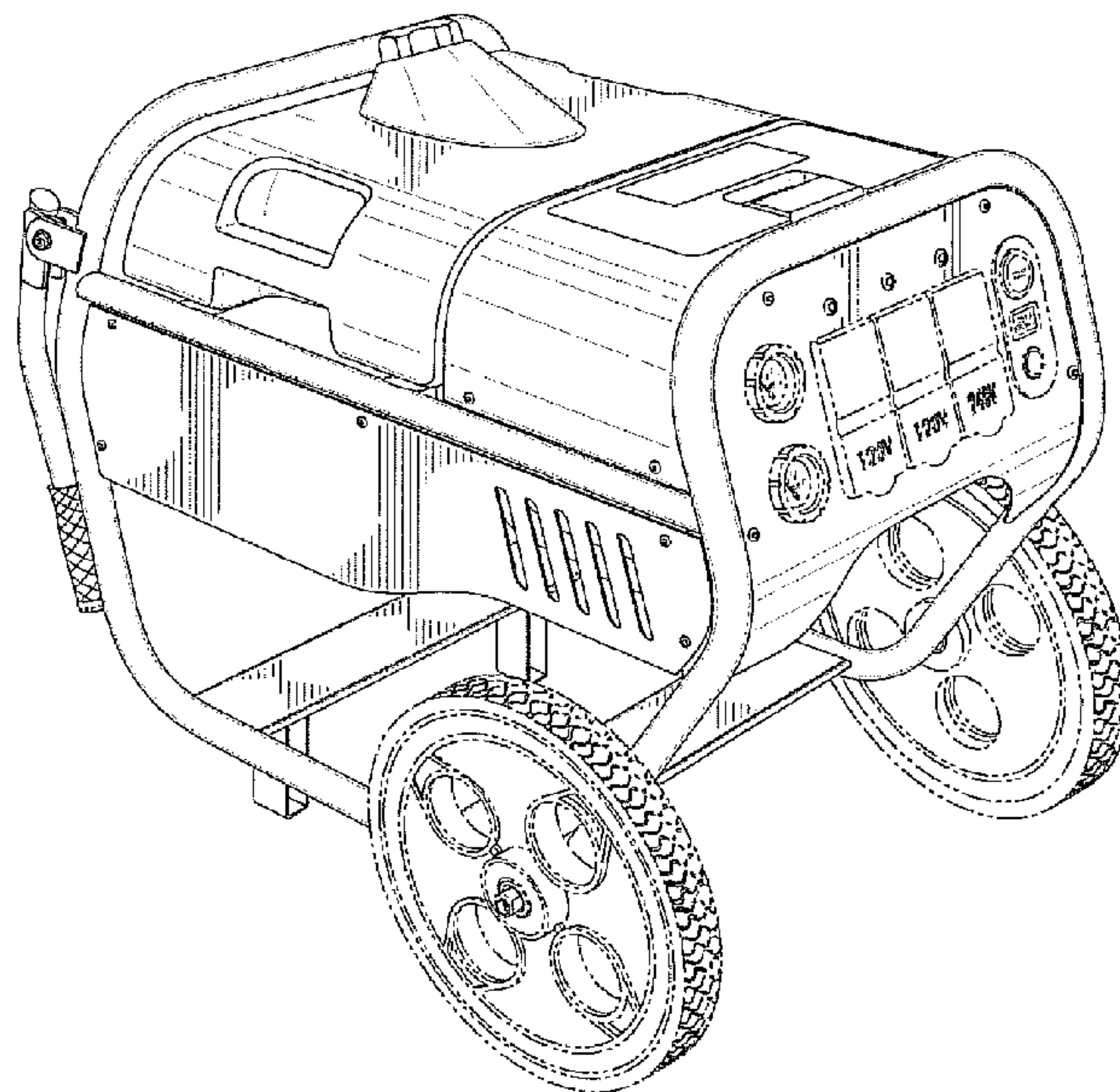
FIG. 7 is a right side elevational view of the portable electricity generator chassis of FIG. 1;

FIG. 8 is a top plan view of the portable electricity generator chassis of FIG. 1; and,

FIG. 9 is a bottom plan view of the portable electricity generator chassis of FIG. 1.

The broken lines shown represent unclaimed subject matter and form no part of the claimed design.

1 Claim, 9 Drawing Sheets



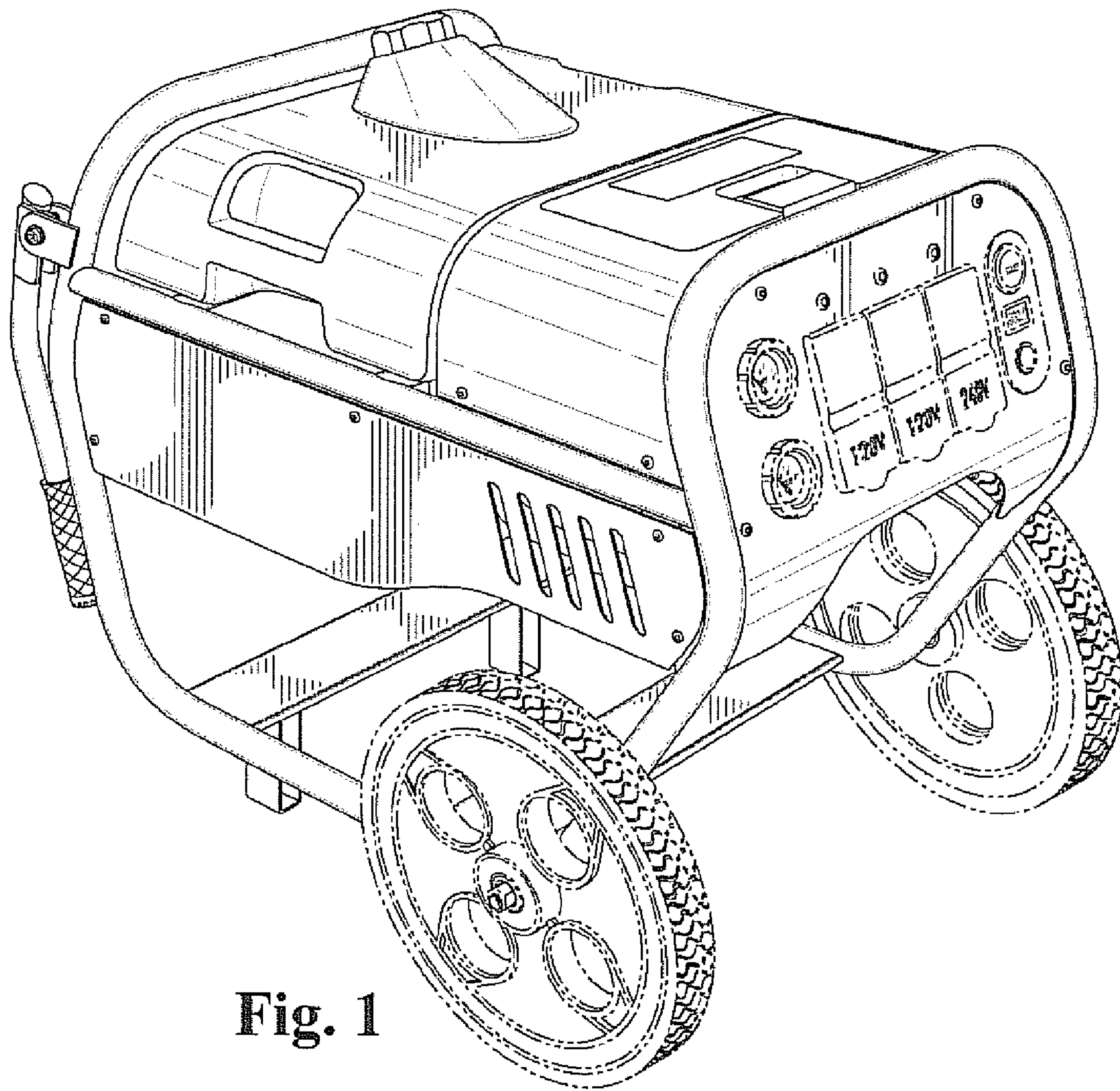


Fig. 1

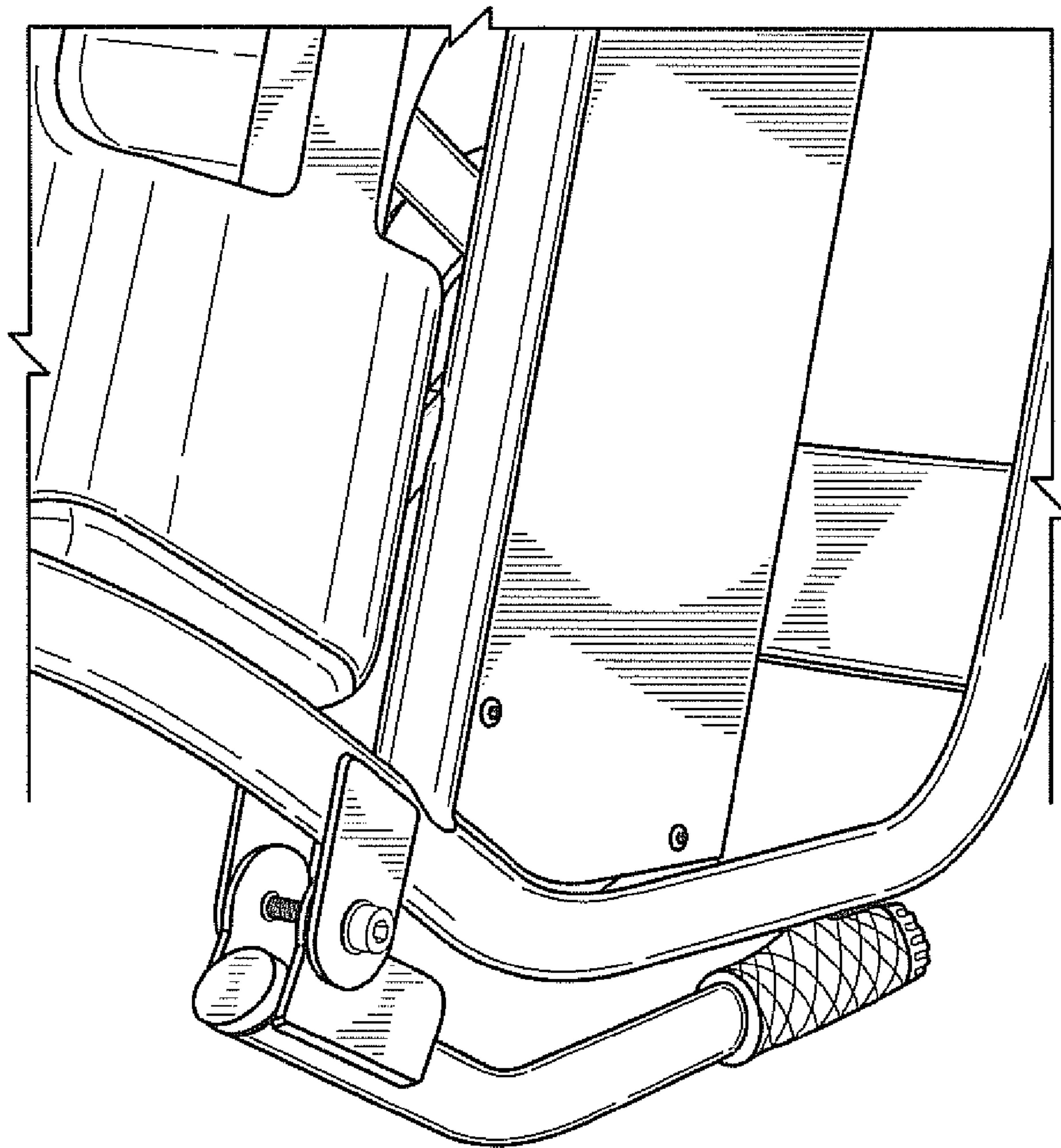


Fig. 2

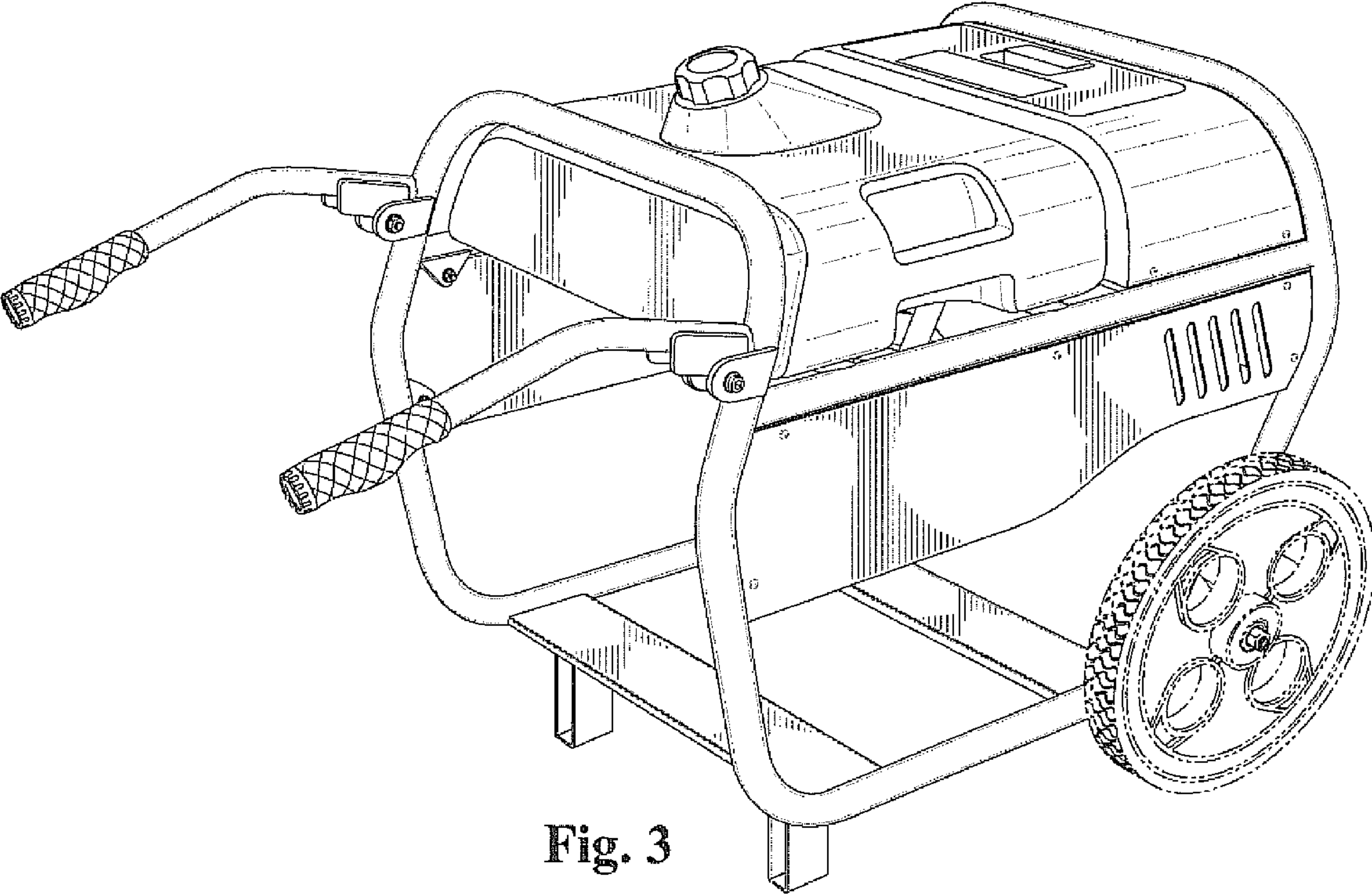


Fig. 3

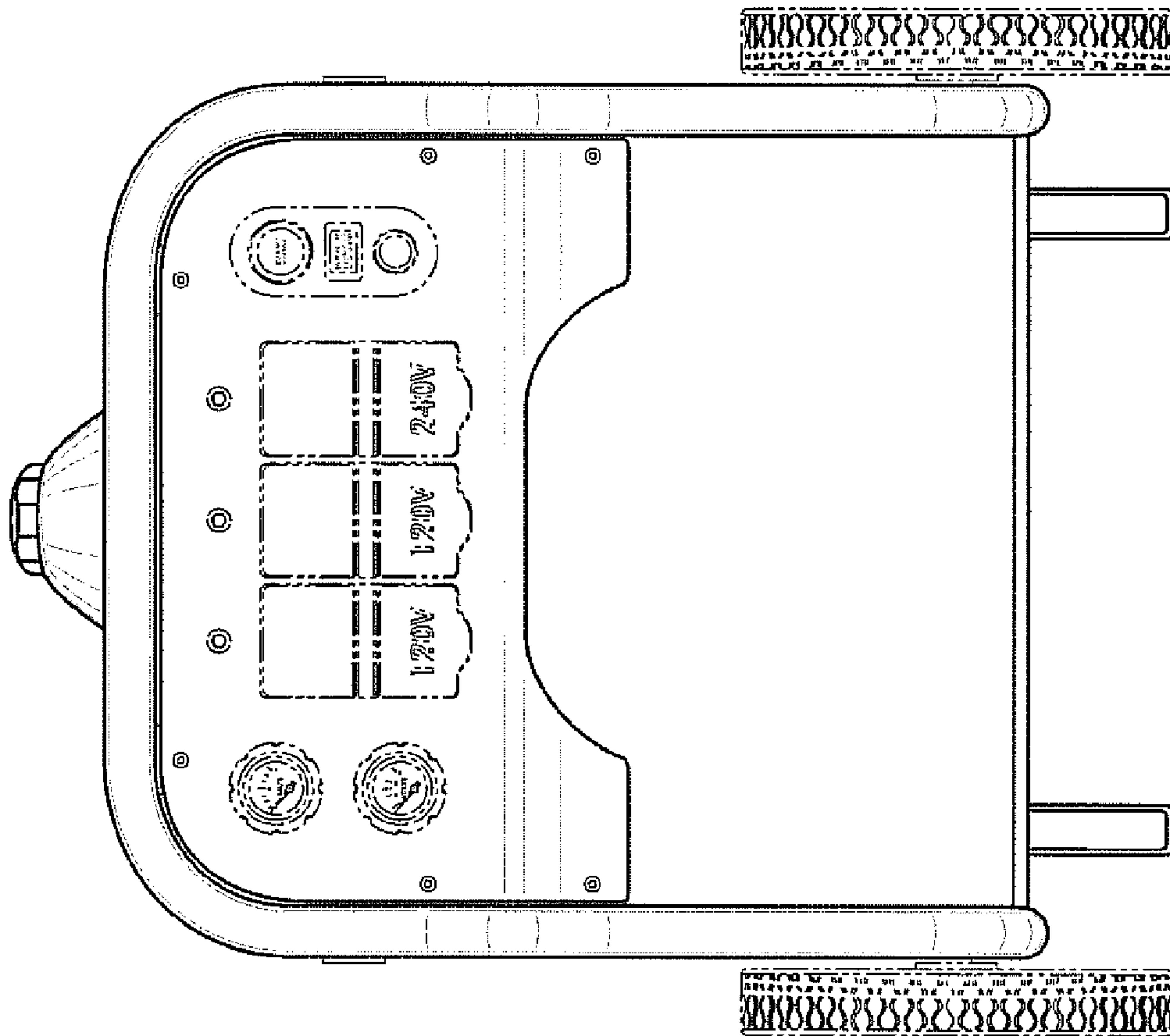


Fig. 4

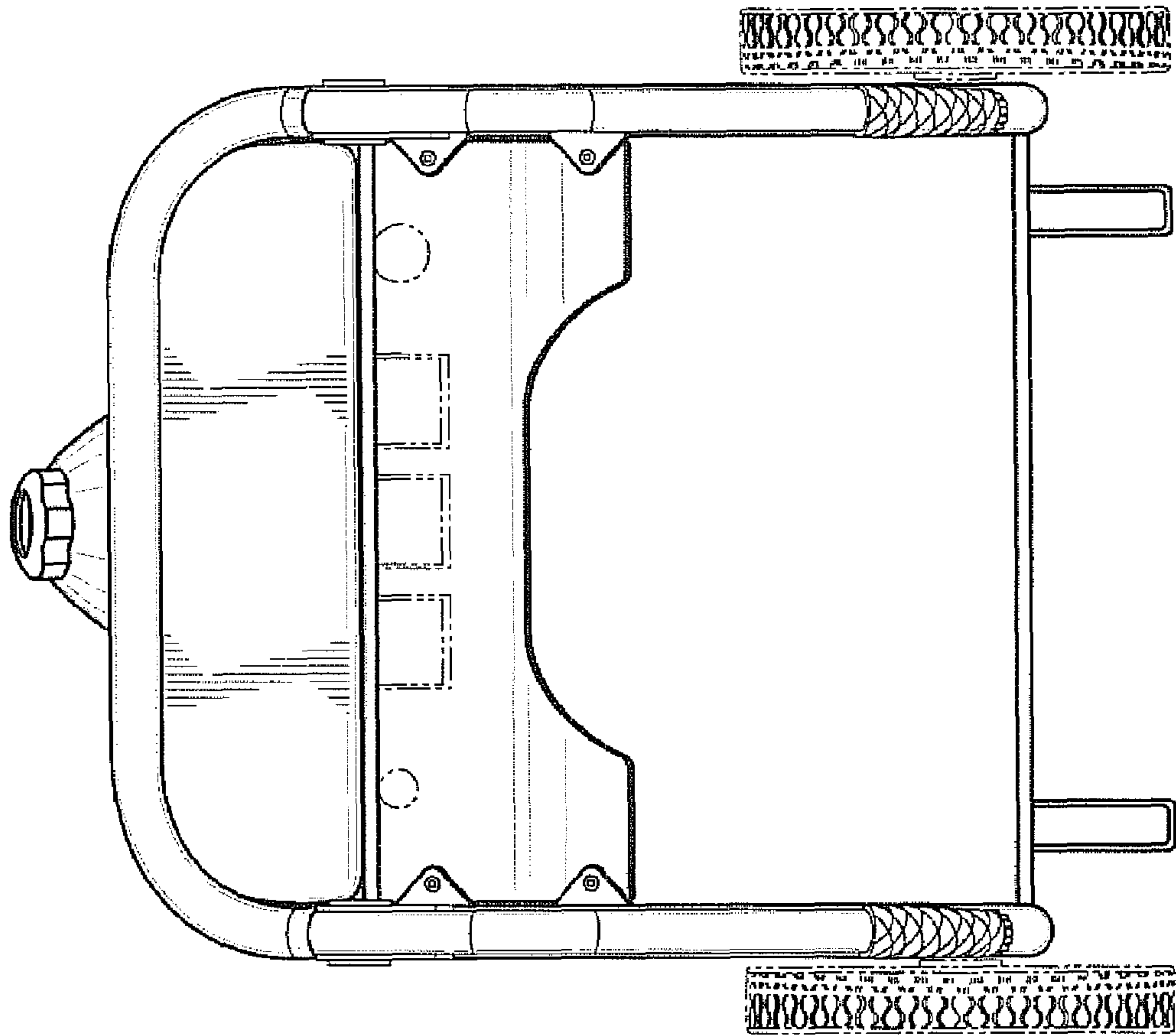


Fig. 5

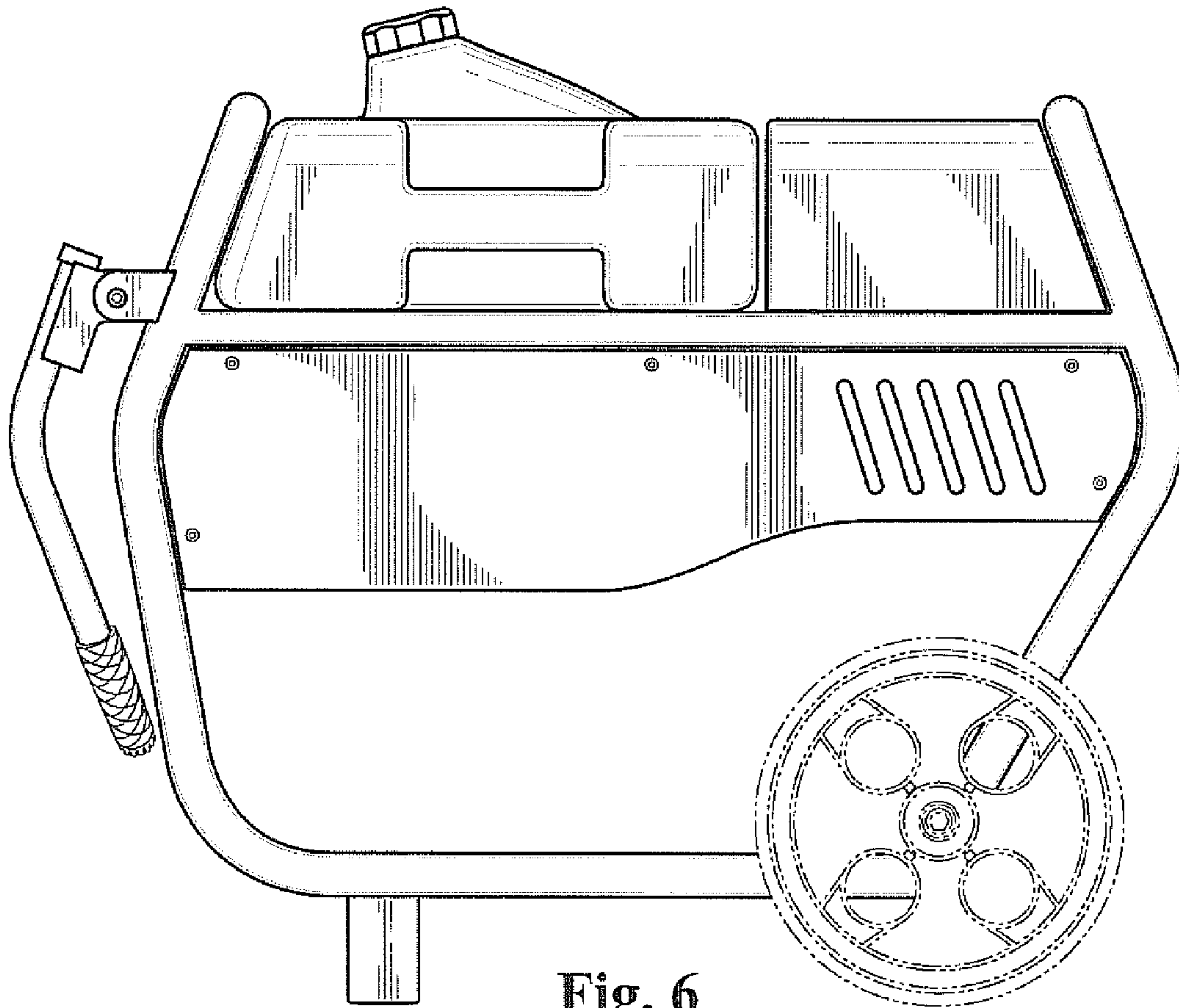


Fig. 6

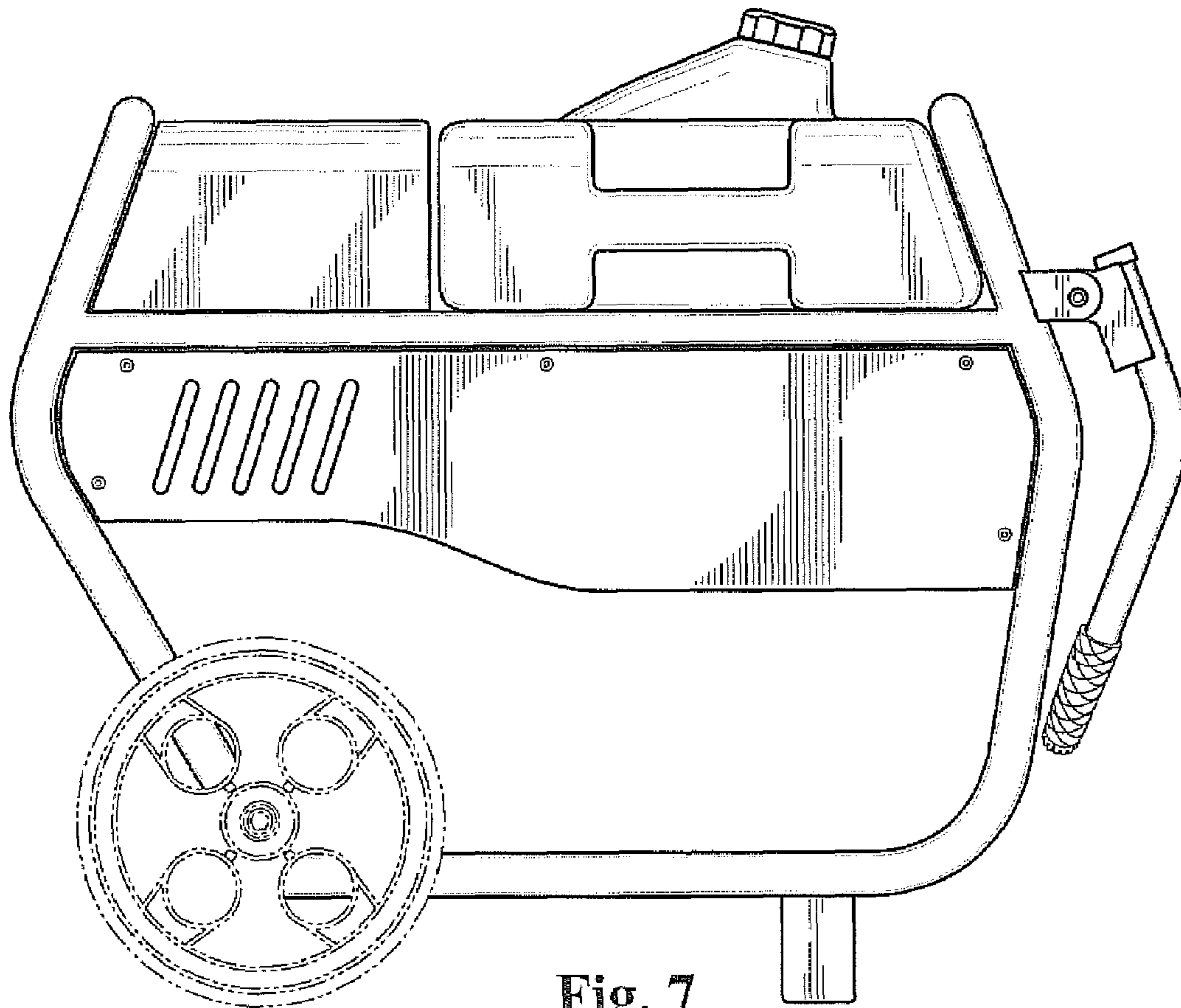


Fig. 7

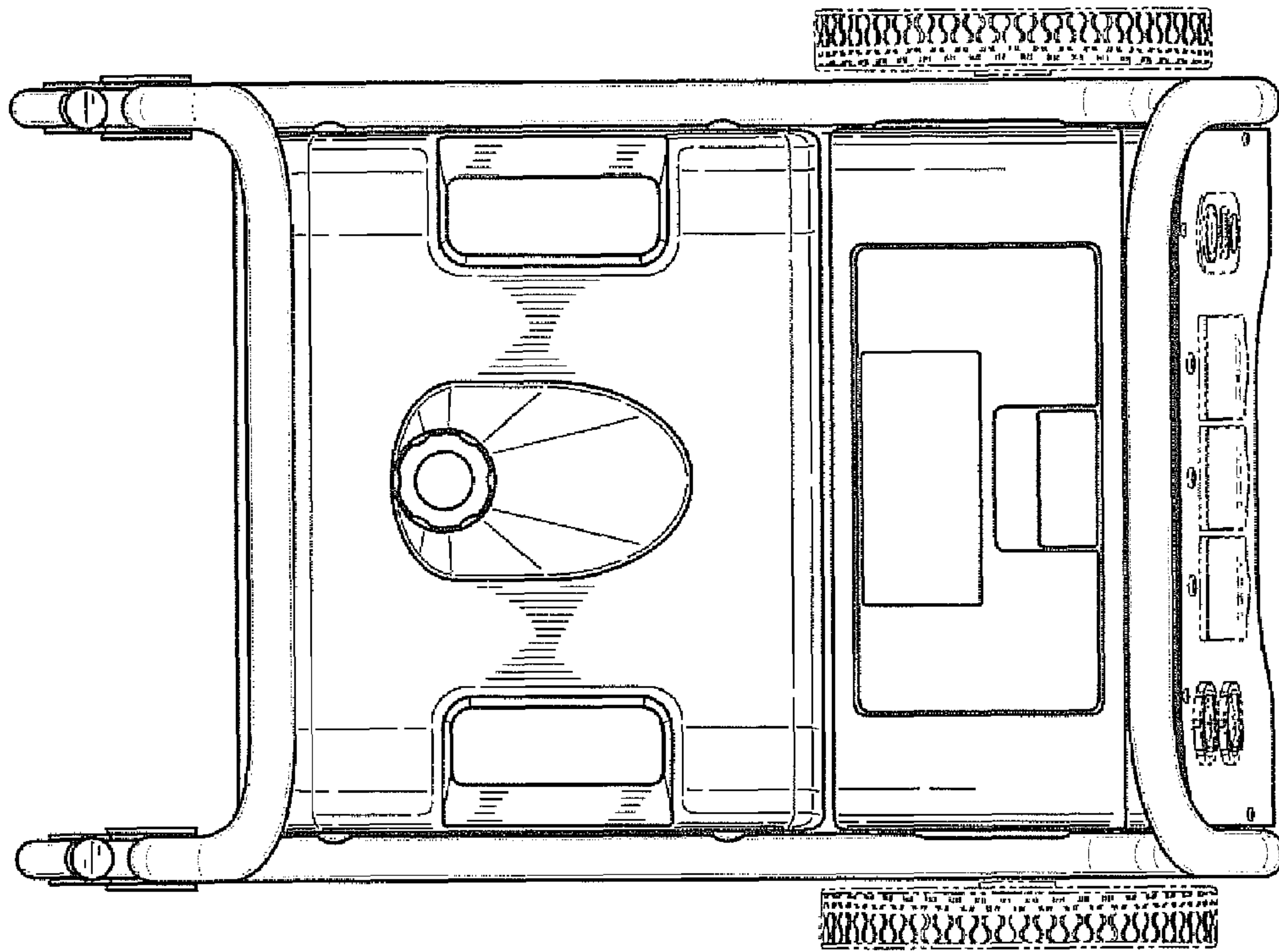


Fig. 8

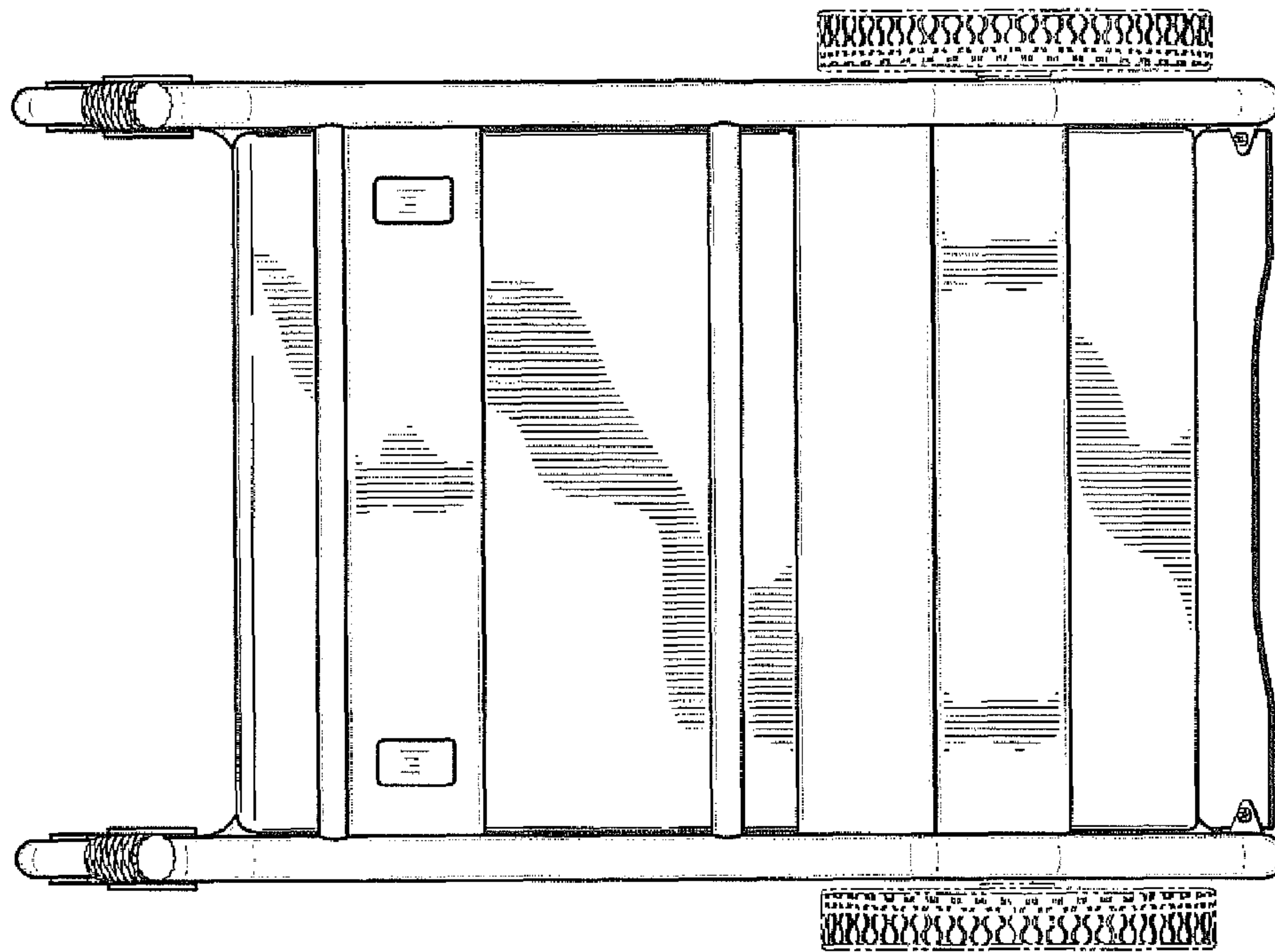


Fig. 9