



US00D597943S

(12) **United States Design Patent**
Lin et al.

(10) **Patent No.:** **US D597,943 S**

(45) **Date of Patent:** **** Aug. 11, 2009**

(54) **MOTOR**

(75) Inventors: **Jin-Cheng Lin**, Taichung (TW);
Chia-Chun Wei, Taichung (TW)

(73) Assignee: **Hiwin Mikrosystem Corp.**, Taichung
(TW)

(**) Term: **14 Years**

(21) Appl. No.: **29/331,585**

(22) Filed: **Jan. 28, 2009**

(51) **LOC (9) Cl.** **13-01**

(52) **U.S. Cl.** **D13/112**

(58) **Field of Classification Search** D13/112,
D13/101, 113, 114, 122, 199; D15/5; 29/596-598;
310/40 R, 42, 43, 58, 85, 88, 89, 91; 322/16,
322/39

See application file for complete search history.

(56) **References Cited**

U.S. PATENT DOCUMENTS

- D245,498 S * 8/1977 Andreas D13/112
- D287,715 S * 1/1987 Pittman et al. D13/112
- D304,169 S * 10/1989 Hoshino et al. D13/112
- 4,933,582 A * 6/1990 Hata et al. 310/154.14

- 4,988,905 A * 1/1991 Tolmie, Jr. 310/68 B
- D336,890 S * 6/1993 Hirose et al. D13/112
- D397,992 S * 9/1998 Shimomura et al. D13/112
- D424,516 S * 5/2000 Friedrichsen D13/112
- 6,204,582 B1 * 3/2001 Keller et al. 310/89
- D457,493 S * 5/2002 Borges D13/112
- D525,195 S * 7/2006 Palese D13/112
- D557,210 S * 12/2007 Liu D13/112

* cited by examiner

Primary Examiner—Prabhakar Deshmukh

Assistant Examiner—Derrick Holland

(74) *Attorney, Agent, or Firm*—Muncy, Geissler, Olds & Lowe, PLLC

(57) **CLAIM**

The ornamental design for a motor, as shown and described.

DESCRIPTION

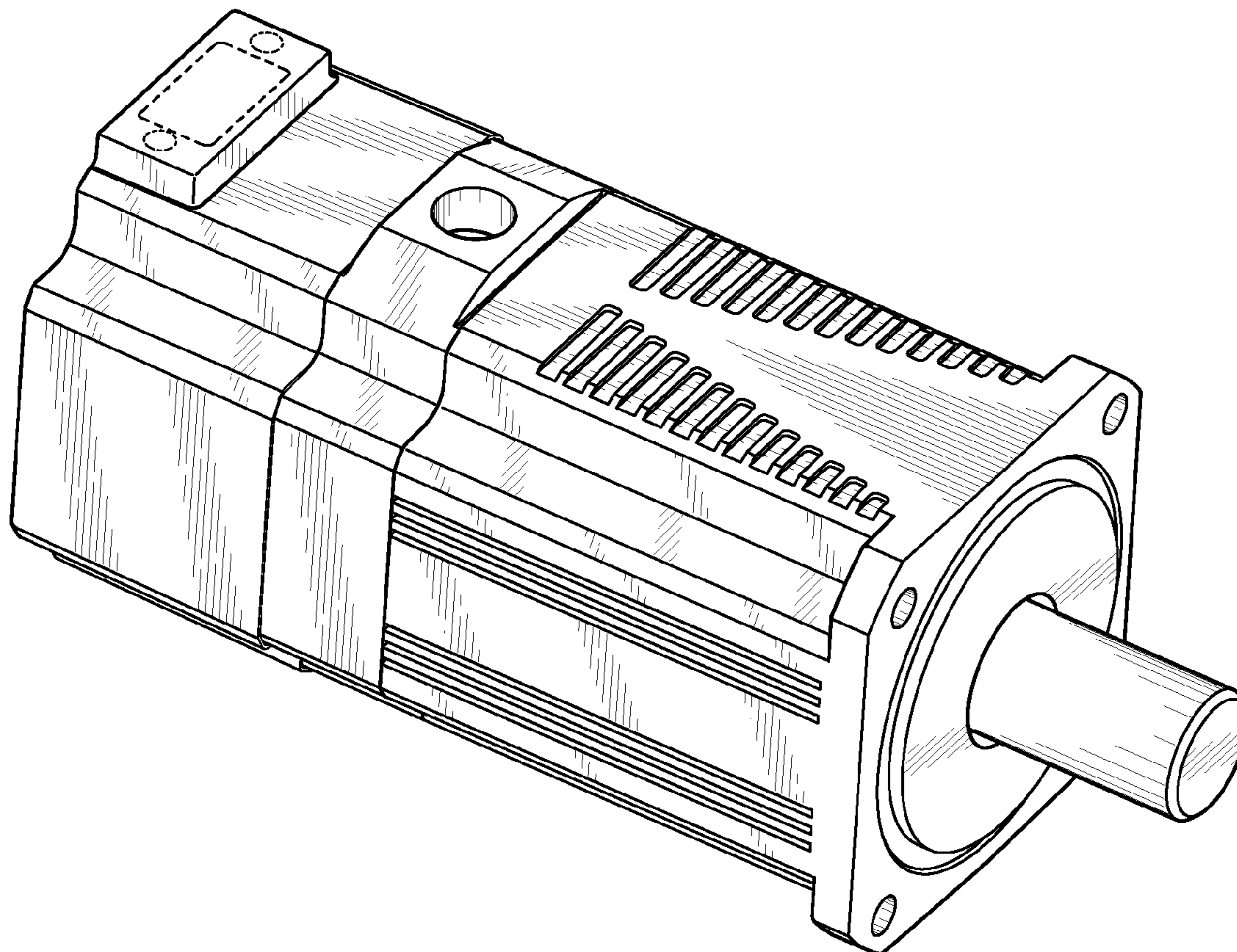
FIG. 1 is a front perspective view of a motor showing our new design;

FIG. 2 is a rear perspective view thereof; and,

FIG. 3 is a bottom perspective view thereof.

The broken lines shown represent unclaimed subject matter and form no part of the claimed design.

1 Claim, 3 Drawing Sheets



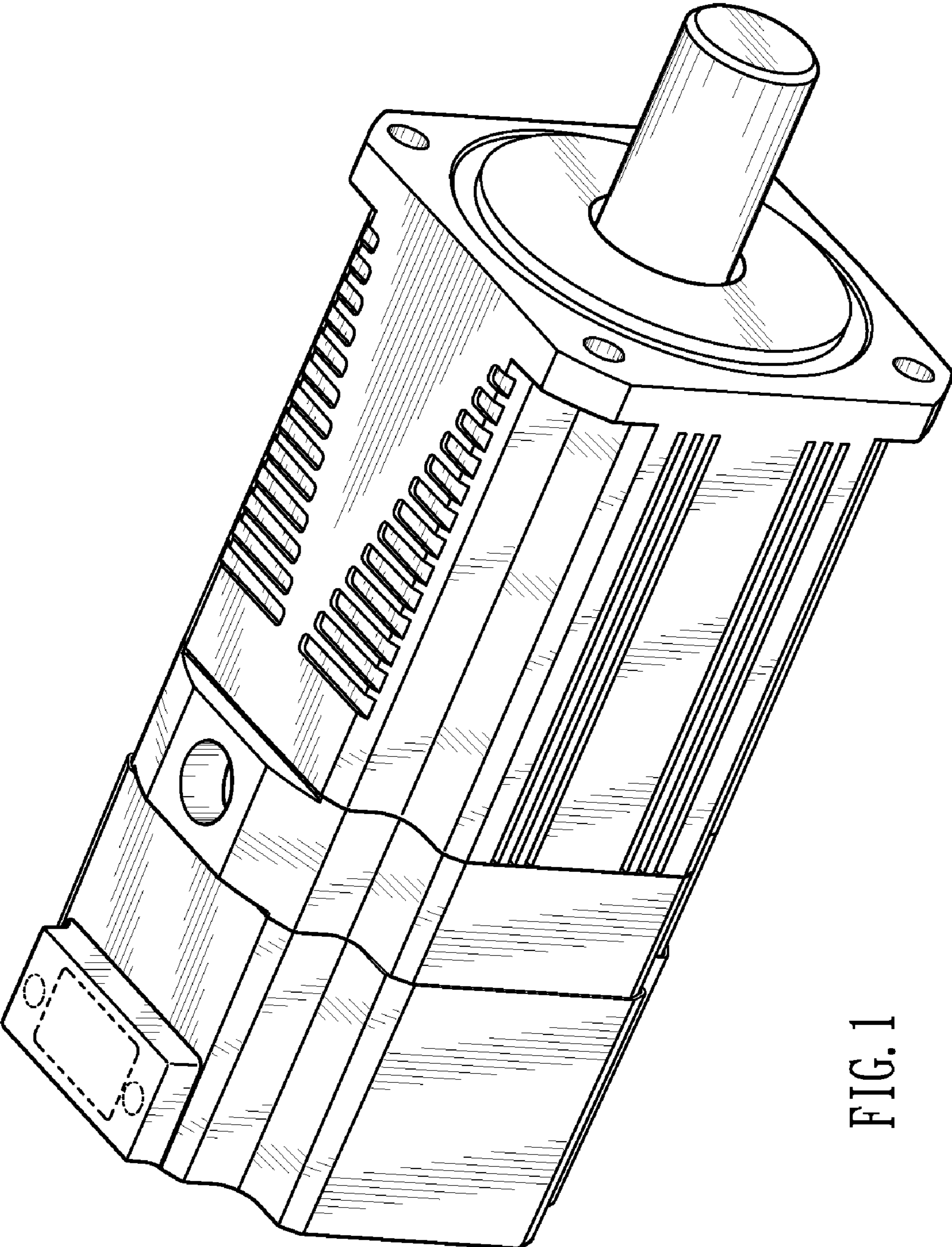


FIG. 1

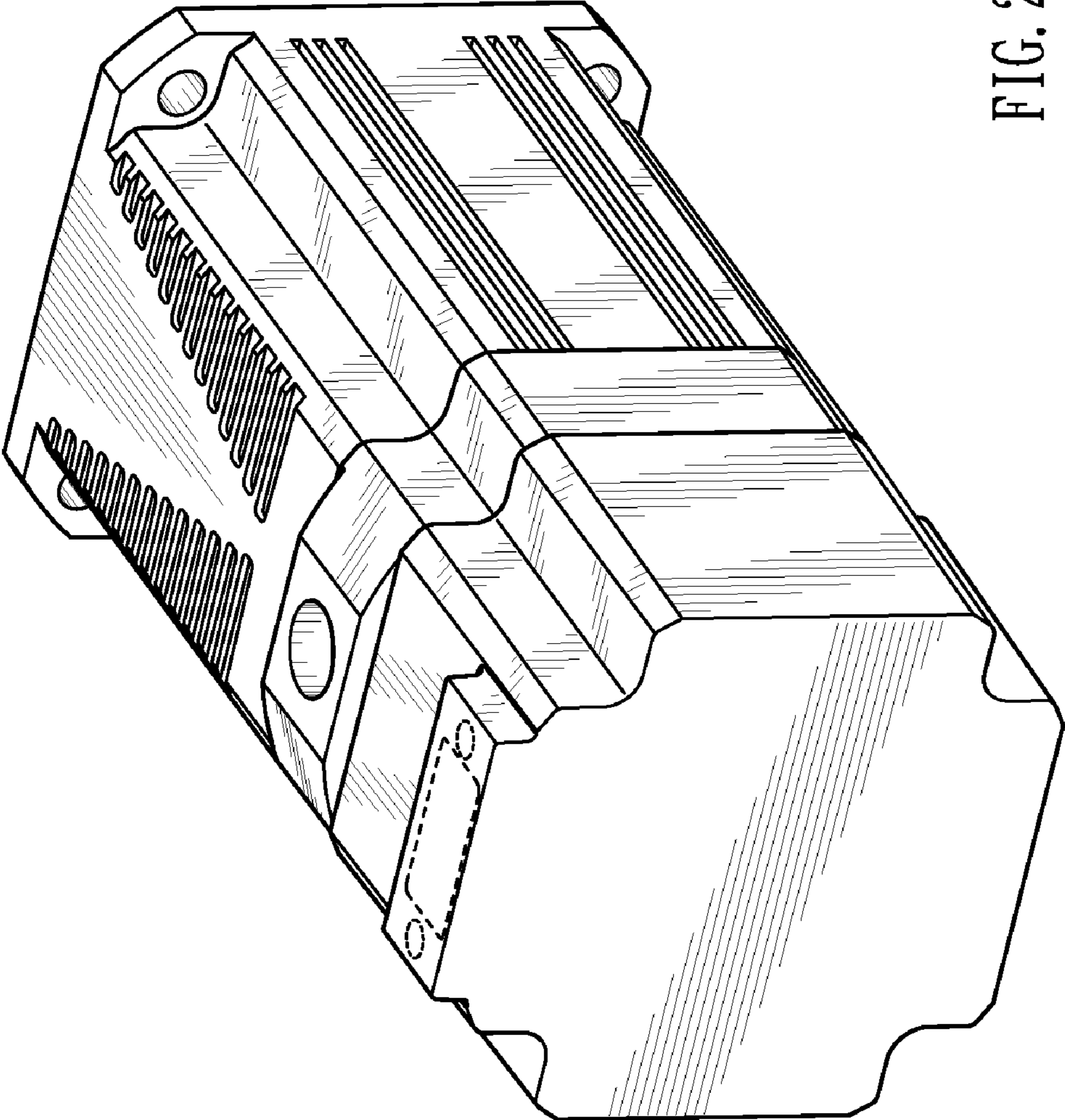


FIG. 2

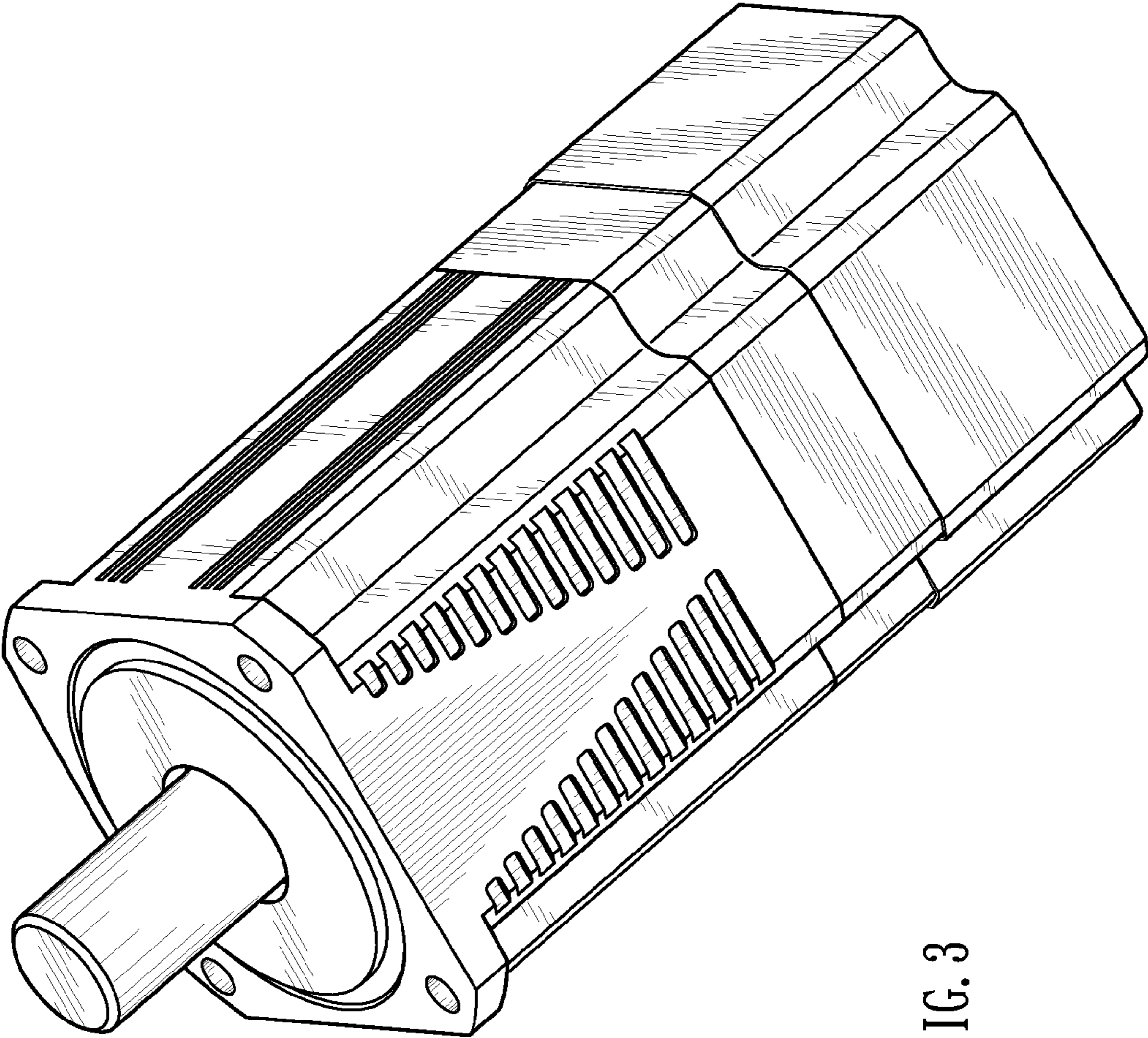


FIG. 3