

US00D597941S

(12) **United States Design Patent**
Dahan et al.

(10) **Patent No.:** **US D597,941 S**

(45) **Date of Patent:** **** Aug. 11, 2009**

(54) **INVERTER**

(75) Inventors: **Michael S. Dahan**, Montreal West (CA);
Leslie Wexelman, Montreal West (CA);
Robert Dan Kruger, Montreal West
(CA)

(73) Assignee: **SunForce Products Inc.**, Montreal West
(CA)

(**) Term: **14 Years**

(21) Appl. No.: **29/312,194**

(22) Filed: **Oct. 2, 2008**

(51) **LOC (9) Cl.** **13-02**

(52) **U.S. Cl.** **D13/110**

(58) **Field of Classification Search** D13/110,
D13/123, 184, 199; 337/186; 361/600, 601,
361/730; 363/141, 142

See application file for complete search history.

(56) **References Cited**

U.S. PATENT DOCUMENTS

5,949,640 A * 9/1999 Cameron et al. 361/600
D426,810 S * 6/2000 Wei D13/110

D427,146 S * 6/2000 Wei D13/110
D427,148 S * 6/2000 Wei D13/110
D479,195 S * 9/2003 Krieger et al. D13/110
D505,915 S * 6/2005 Hussaini et al. D13/110
D551,621 S * 9/2007 Iacovelli et al. D13/110

* cited by examiner

Primary Examiner—Prabhakar Deshmukh

Assistant Examiner—Derrick Holland

(74) *Attorney, Agent, or Firm*—Robert L. Epstein; Epstein
Drangel Bazerman & James, LLP

(57) **CLAIM**

The ornamental design for an inverter, as shown and
described.

DESCRIPTION

FIG. 1 is a top, front and side perspective view of an inverter
showing our new design;

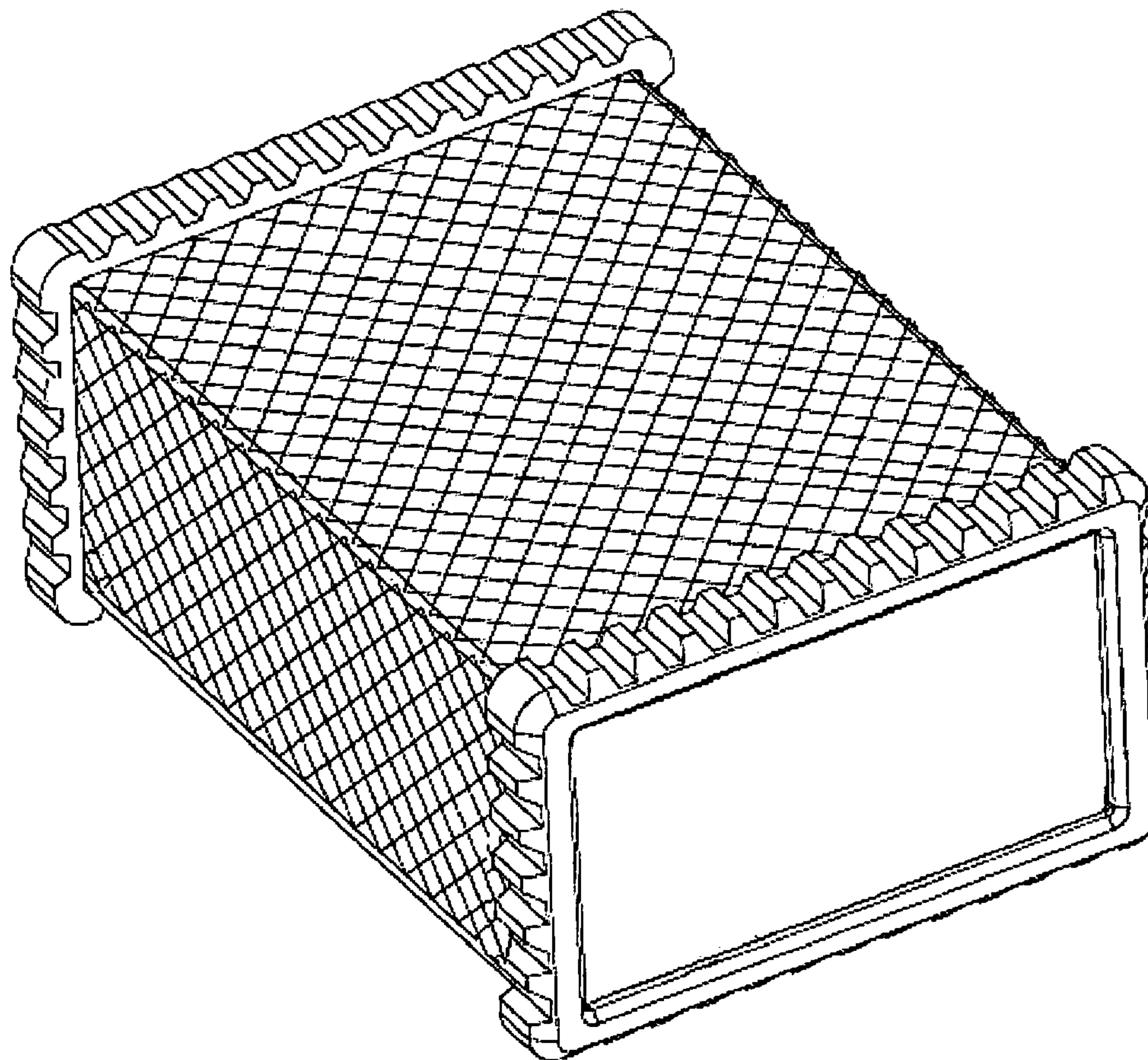
FIG. 2 is a top, rear and side perspective view thereof;

FIG. 3 is a top plan view thereof;

FIG. 4 is a front elevation view thereof; and,

FIG. 5 is a rear elevation view thereof.

1 Claim, 5 Drawing Sheets



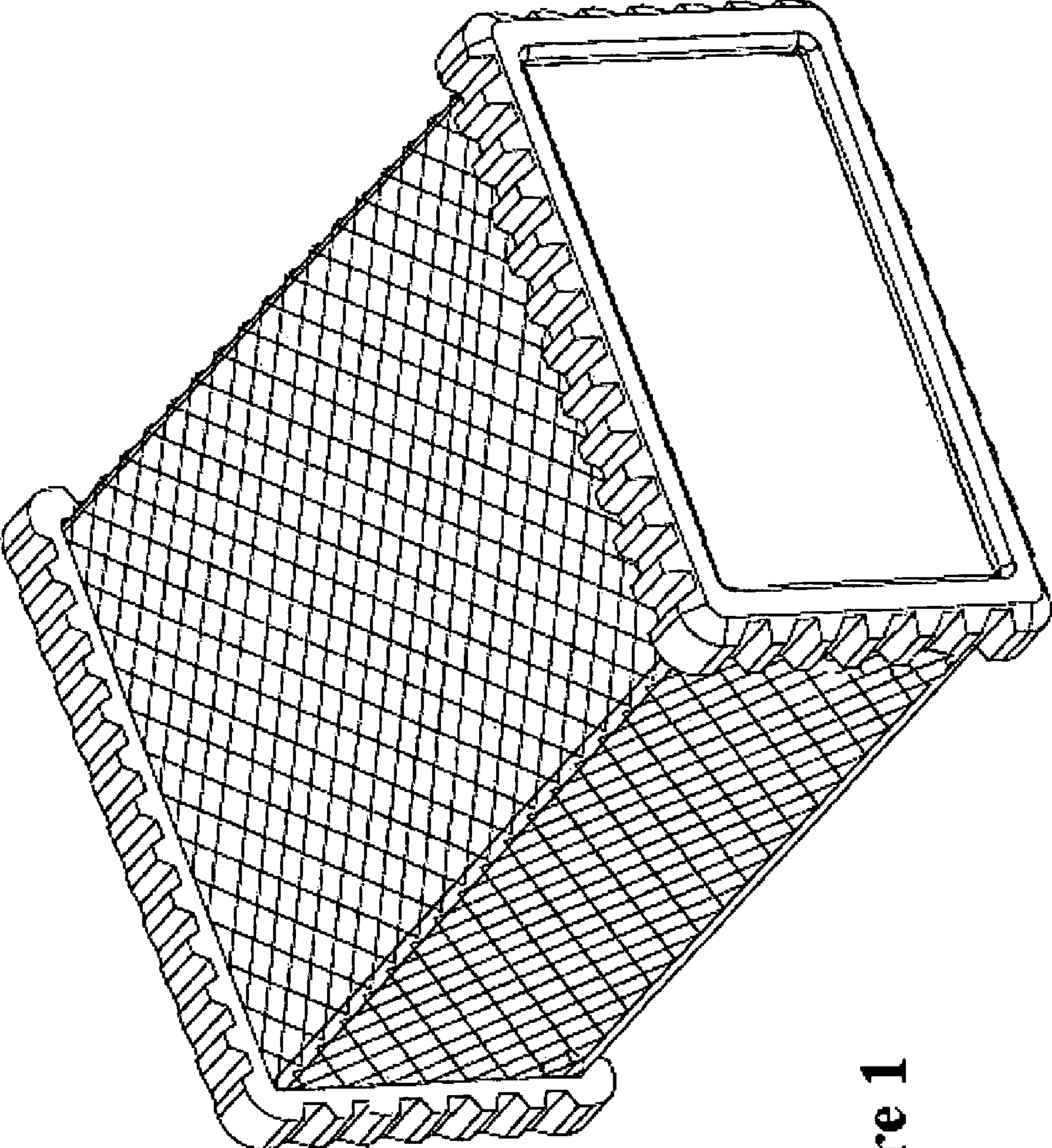


Figure 1

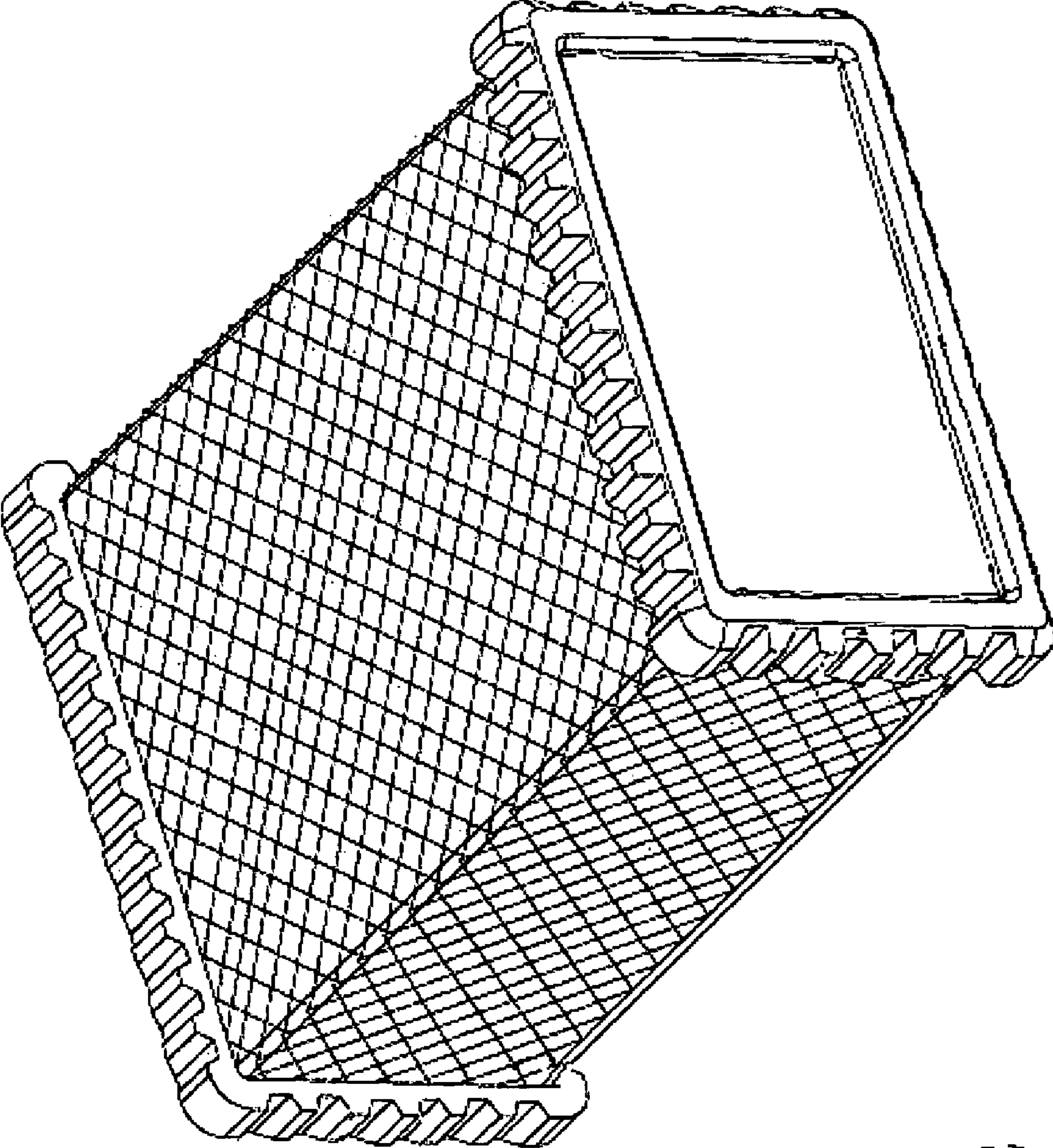
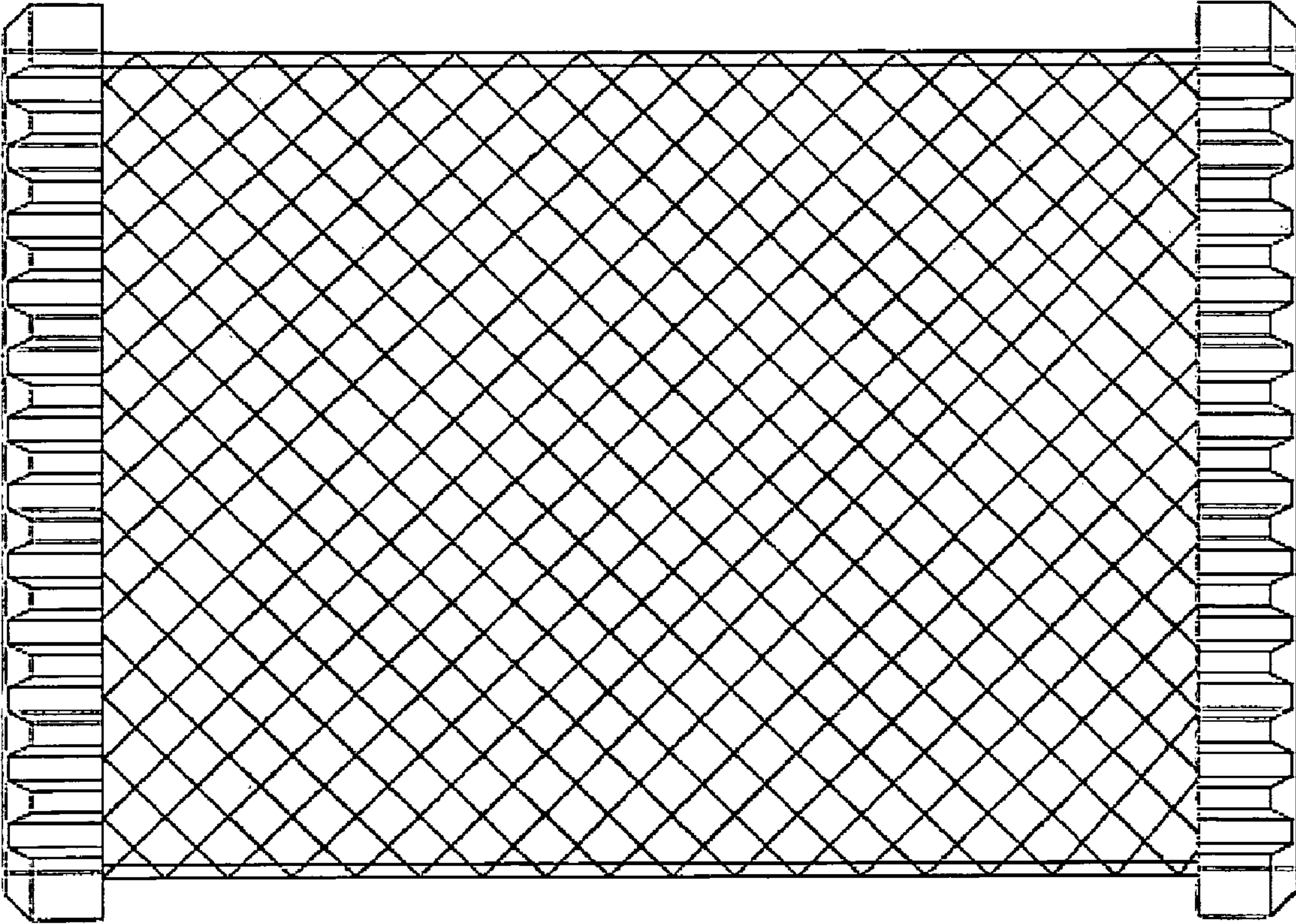


Figure 2

Figure 3



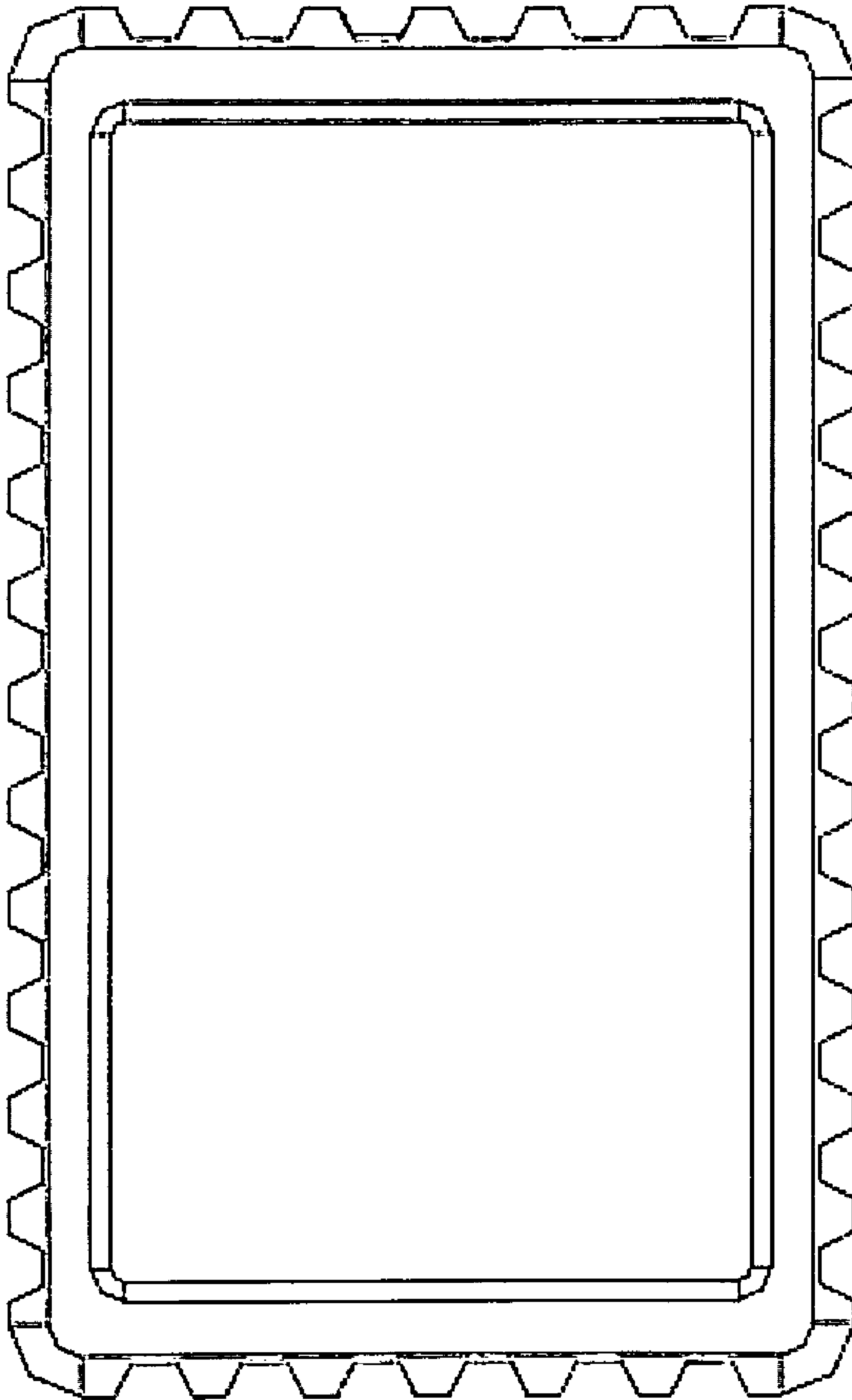


Figure 4

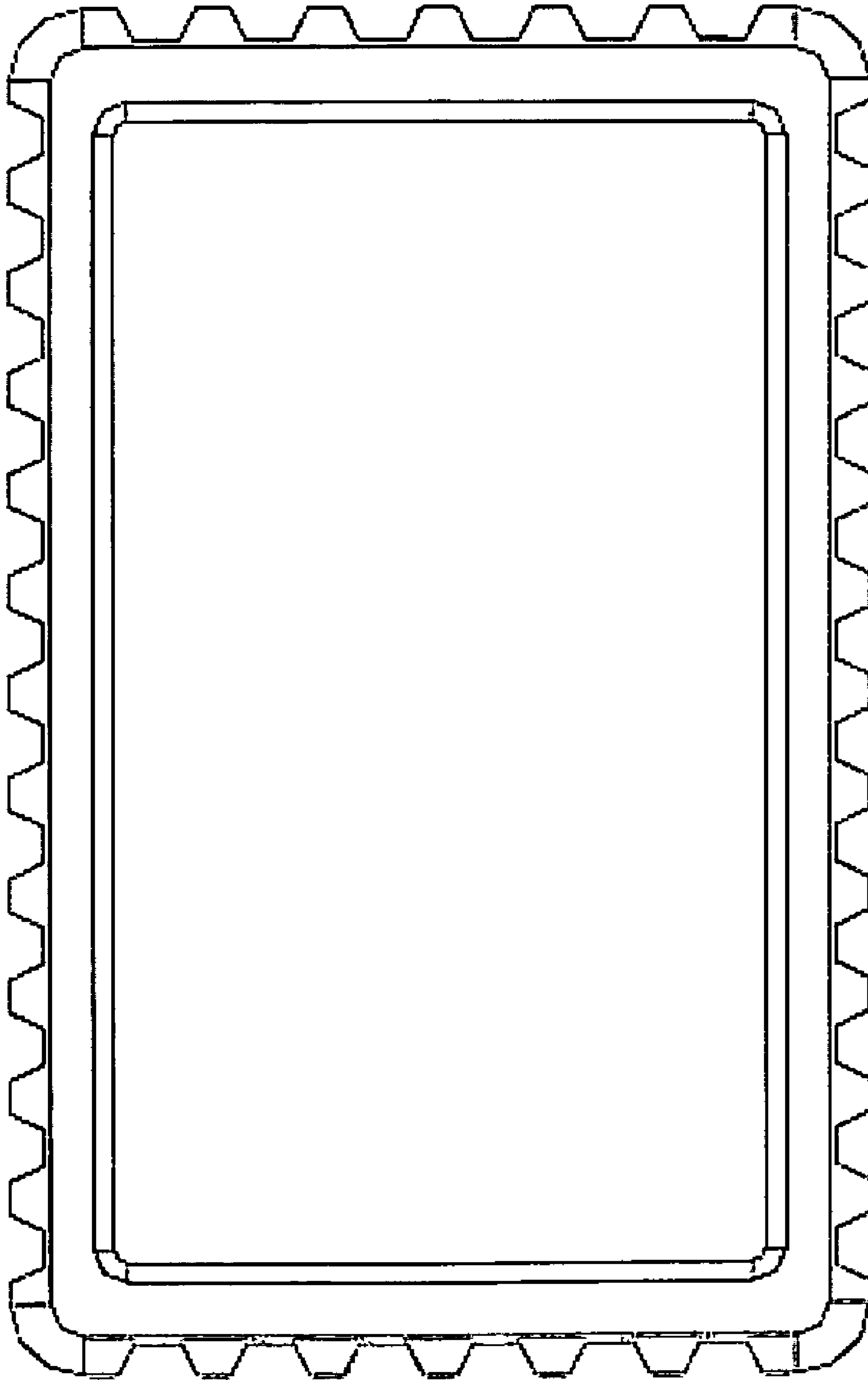


Figure 5