



US00D597940S

(12) **United States Design Patent**
Navid

(10) **Patent No.:** **US D597,940 S**

(45) **Date of Patent:** **** Aug. 11, 2009**

(54) **VIDEO GAME CONTROLLER CHARGING APPARATUS**

(75) Inventor: **Amir Navid**, Sherman Oaks, CA (US)

(73) Assignee: **NYKO Technologies, Inc.**, Los Angeles, CA (US)

(**) Term: **14 Years**

(21) Appl. No.: **29/327,049**

(22) Filed: **Oct. 29, 2008**

(51) **LOC (9) Cl.** **13-02**

(52) **U.S. Cl.** **D13/108**

(58) **Field of Classification Search** D13/107–110,
D13/118–119, 184; D14/251, 253, 432,
D14/434; 320/107–115

See application file for complete search history.

(56) **References Cited**

U.S. PATENT DOCUMENTS

| | | | | | |
|-----------|-----|---------|--------------------|-------|---------|
| D241,555 | S * | 9/1976 | Goldman et al. | | D13/107 |
| D278,426 | S * | 4/1985 | Lanci et al. | | D13/107 |
| 5,317,691 | A * | 5/1994 | Traeger | | 709/250 |
| D349,485 | S * | 8/1994 | Richards et al. | | D13/107 |
| 5,547,399 | A | 8/1996 | Naghi et al. | | |
| 5,828,966 | A | 10/1998 | Davis et al. | | |
| 5,847,545 | A | 12/1998 | Chen et al. | | |
| 6,061,261 | A | 5/2000 | Chen et al. | | |
| D444,472 | S * | 7/2001 | Russell et al. | | D14/434 |
| 6,321,340 | B1 | 11/2001 | Shin et al. | | |
| 6,362,987 | B1 | 3/2002 | Yurek et al. | | |
| D465,532 | S * | 11/2002 | Hussaini et al. | | D21/333 |
| 6,614,206 | B1 | 9/2003 | Wong et al. | | |
| 6,632,098 | B1 | 10/2003 | Wong et al. | | |
| 6,669,513 | B2 | 12/2003 | Huang | | |
| 6,790,062 | B1 | 9/2004 | Liao | | |
| 6,811,444 | B2 | 11/2004 | Geyer | | |
| 6,842,356 | B2 | 1/2005 | Hsu | | |
| D509,788 | S * | 9/2005 | Schlieffers et al. | | D13/108 |
| D510,562 | S * | 10/2005 | Lodato et al. | | D13/108 |

| | | | | | |
|--------------|------|---------|-----------------|-------|---------|
| 6,991,483 | B1 | 1/2006 | Milan et al. | | |
| D520,447 | S * | 5/2006 | Liu | | D13/108 |
| 7,054,177 | B2 | 5/2006 | Wu | | |
| D530,667 | S * | 10/2006 | Viduya et al. | | D13/107 |
| 7,140,922 | B2 | 11/2006 | Luu et al. | | |
| D579,408 | S * | 10/2008 | Benyameen | | D13/107 |
| 2004/0218411 | A1 | 11/2004 | Luu et al. | | |
| 2004/0259436 | A1 | 12/2004 | Su | | |
| 2005/0189914 | A1 | 9/2005 | Esses | | |
| 2006/0080476 | A1 | 4/2006 | Wang et al. | | |
| 2007/0021209 | A1 | 1/2007 | Hussaini et al. | | |
| 2007/0216352 | A1 * | 9/2007 | Shaddle | | 320/114 |
| 2007/0244471 | A1 * | 10/2007 | Malackowski | | 606/1 |
| 2008/0150480 | A1 | 6/2008 | Navid | | |

OTHER PUBLICATIONS

International Search Report, dated Nov. 28, 2007, for International Application No. PCT/US 06/40118, 1 pg.

Notification of Transmittal of the International Search Report and the Written Opinion of the International Searching Authority, or the Declaration, dated Dec. 29, 2008, for International Application No. PCT/US 08/81004, in the name of Nyko Technologies, Inc., 11 pgs.

* cited by examiner

Primary Examiner—Jennifer Rivard

Assistant Examiner—Rosemary K Tarcza

(74) *Attorney, Agent, or Firm*—Christie, Parker & Hale, LLP.

(57) **CLAIM**

The ornamental design for video game controller charging apparatus, as shown and described.

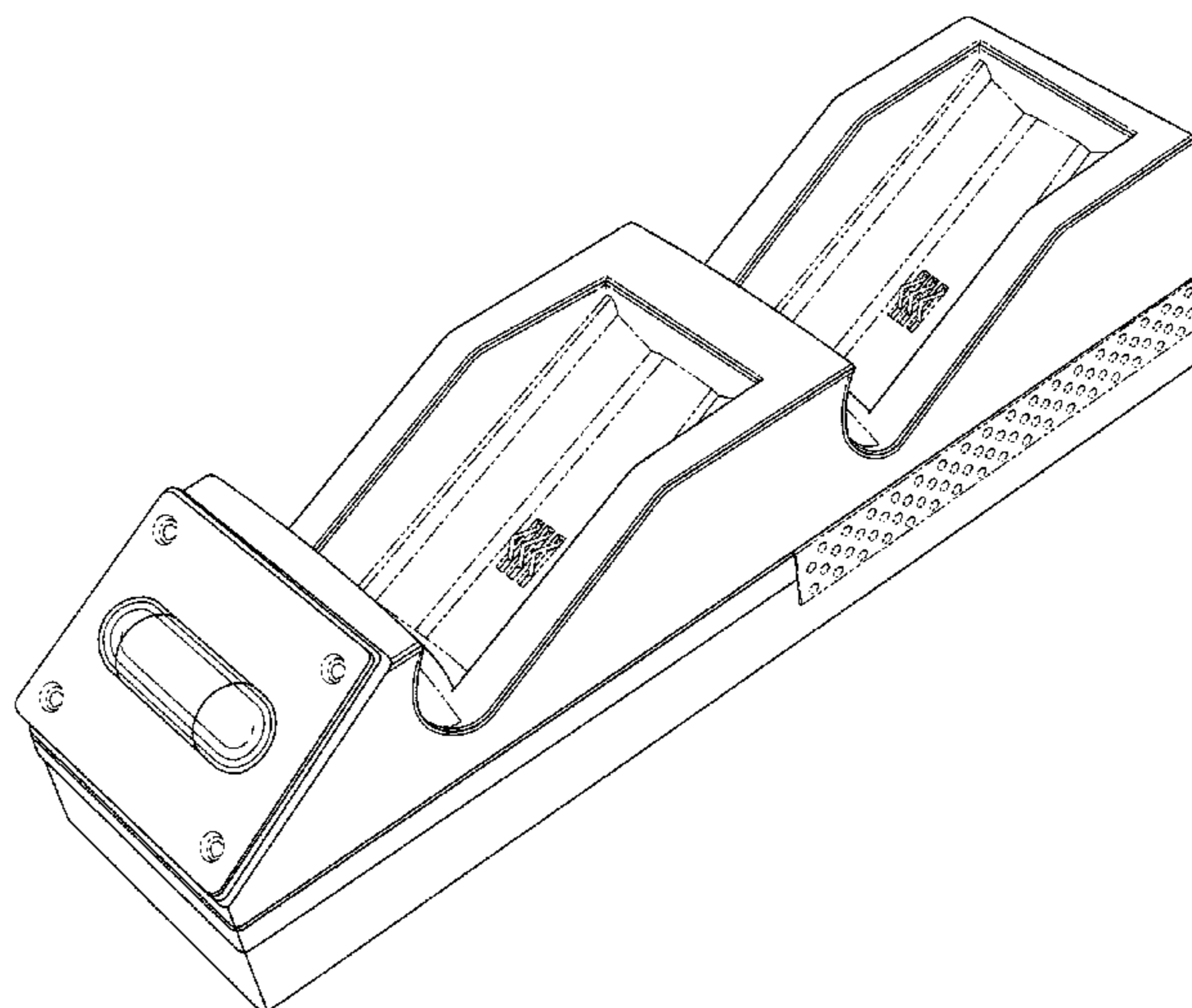
DESCRIPTION

FIG. 1 is a front perspective view of a video game controller charging apparatus; and,

FIG. 2 is a right side view thereof, the left side being a mirror image of the right side.

The broken lines shown in the drawings are included for the purpose of illustrating environmental structure and form no part of the claimed design.

1 Claim, 2 Drawing Sheets



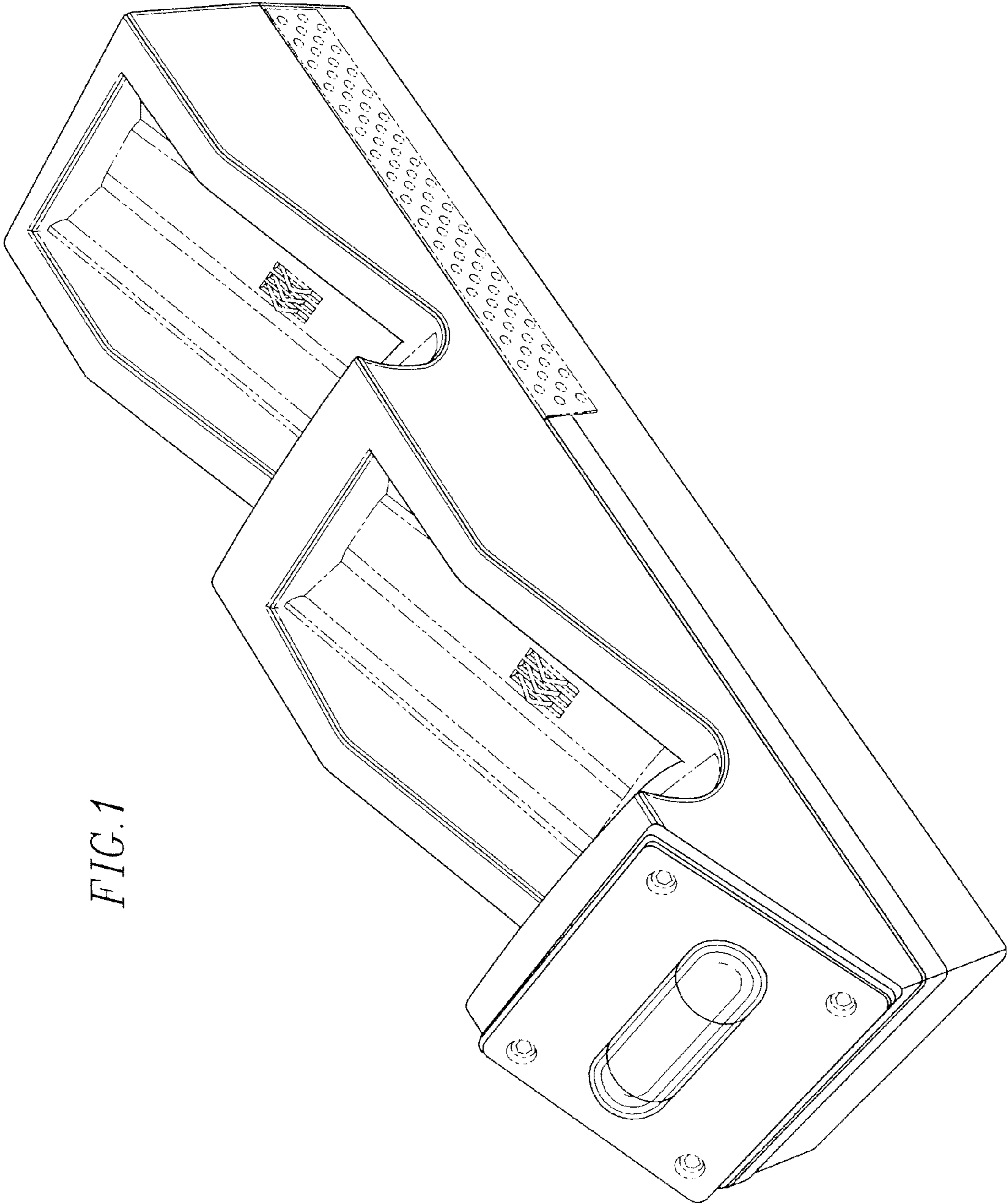


FIG. 1

FIG. 2

