

US00D597938S

(12) **United States Design Patent**
Lee et al.

(10) **Patent No.:** **US D597,938 S**
(45) **Date of Patent:** **** Aug. 11, 2009**

(54) **DEVICE CHARGER**

D586,295 S * 2/2009 Zhao et al. D13/133

(75) Inventors: **Noel Lee**, Las Vegas, NV (US); **Jacky Hsiung**, San Jose, CA (US)

(73) Assignee: **Monster Cable Products, Inc.**,
Brisbane, CA (US)

(**) Term: **14 Years**

(21) Appl. No.: **29/323,543**

(22) Filed: **Aug. 27, 2008**

(51) **LOC (9) Cl.** **13-02**

(52) **U.S. Cl.** **D13/108; D13/110; D13/144**

(58) **Field of Classification Search** D13/107–110,
D13/118–119, 133, 144, 154, 184; D14/155,
D14/251, 253, 432, 434; 320/107–115; 455/41.2
See application file for complete search history.

(56) **References Cited**

U.S. PATENT DOCUMENTS

D243,537 S *	3/1977	Wahl	D14/155
D400,176 S *	10/1998	Jones	D13/144
D490,058 S *	5/2004	Mkhitarian	D13/144
D501,192 S *	1/2005	Griffin	D14/155
D525,201 S *	7/2006	Navarrez et al.	D13/144
D525,937 S *	8/2006	Seil et al.	D13/144
D525,938 S *	8/2006	Seil et al.	D13/144
D534,149 S *	12/2006	Griffin	D14/155
D541,742 S *	5/2007	Hussaini et al.	D13/110
D550,196 S *	9/2007	Griffin et al.	D14/155
D557,658 S *	12/2007	Ledbetter et al.	D13/108

OTHER PUBLICATIONS

Monster cable products, Inc, How Does Monster Compare?, Aug. 13, 2008.

* cited by examiner

Primary Examiner—Jennifer Rivard

Assistant Examiner—Rosemary K Tarcza

(74) *Attorney, Agent, or Firm*—LaRiviere, Grubman & Payne, LLP

(57) **CLAIM**

The ornamental design for a device charger, as shown and described in the accompanying drawings.

DESCRIPTION

FIG. 1 is a perspective view of a device charger, in accordance with the present invention.

FIG. 2 is a front view thereof;

FIG. 3 is a rear view thereof;

FIG. 4 is a side view thereof;

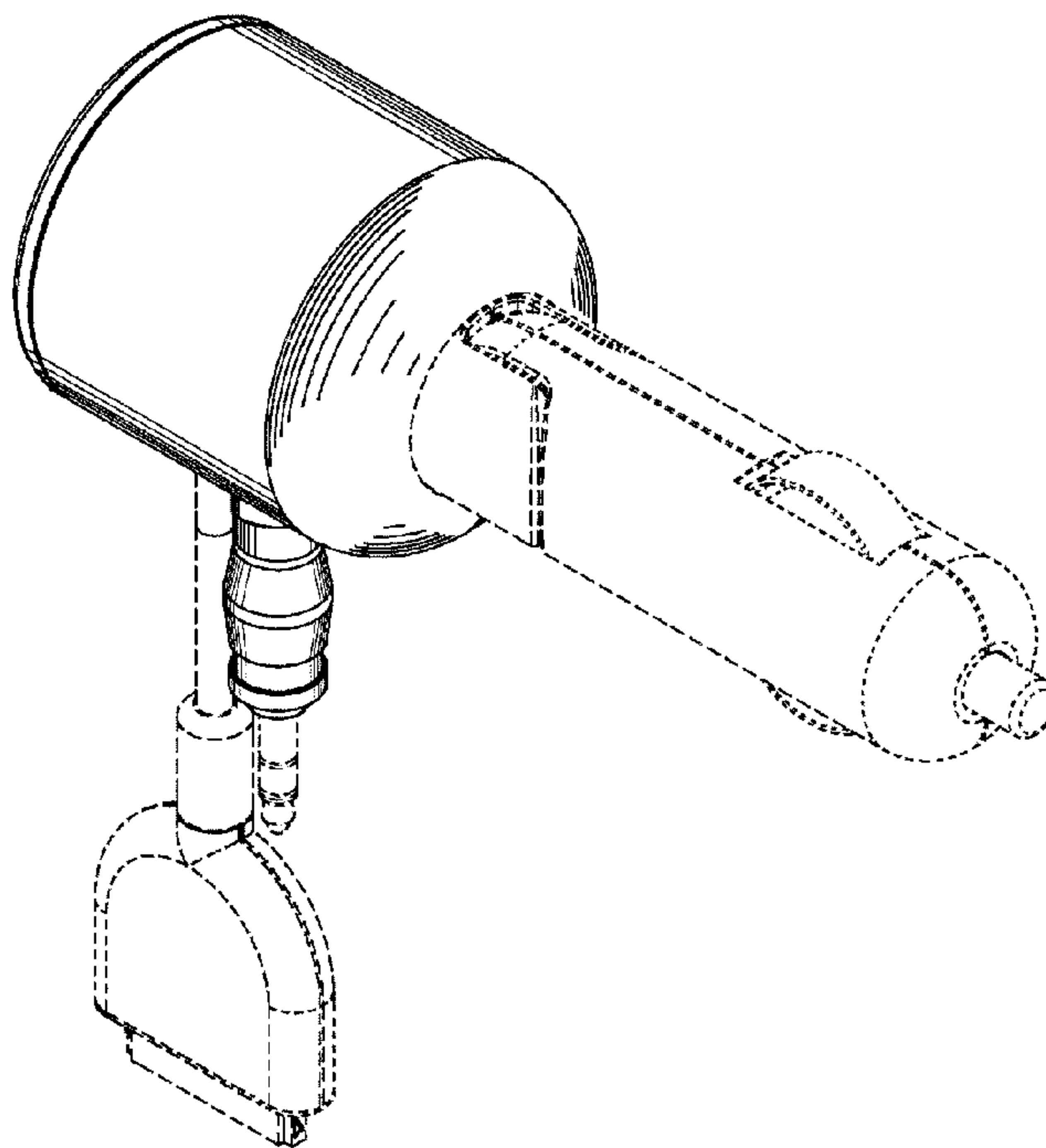
FIG. 5 is an opposing side view thereof;

FIG. 6 is a top view thereof; and,

FIG. 7 is a bottom view thereof.

The broken lines showing the environment in the figures are for illustrative purposes only and form no part of the claimed design. The broken lines directly adjacent to shaded areas in the drawings represent the boundaries of the claimed design and form no part of the claimed design.

1 Claim, 4 Drawing Sheets



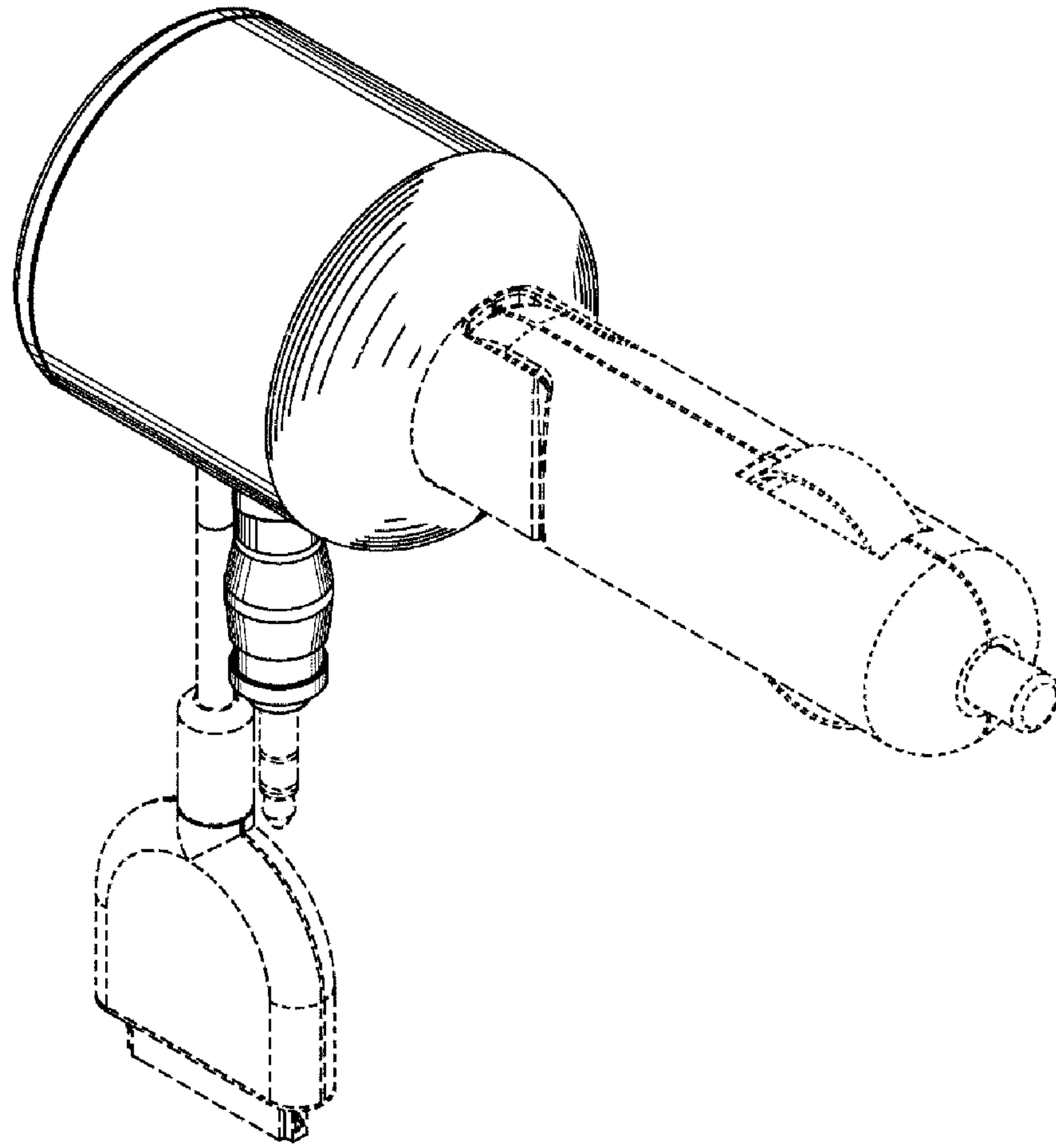


Figure 1

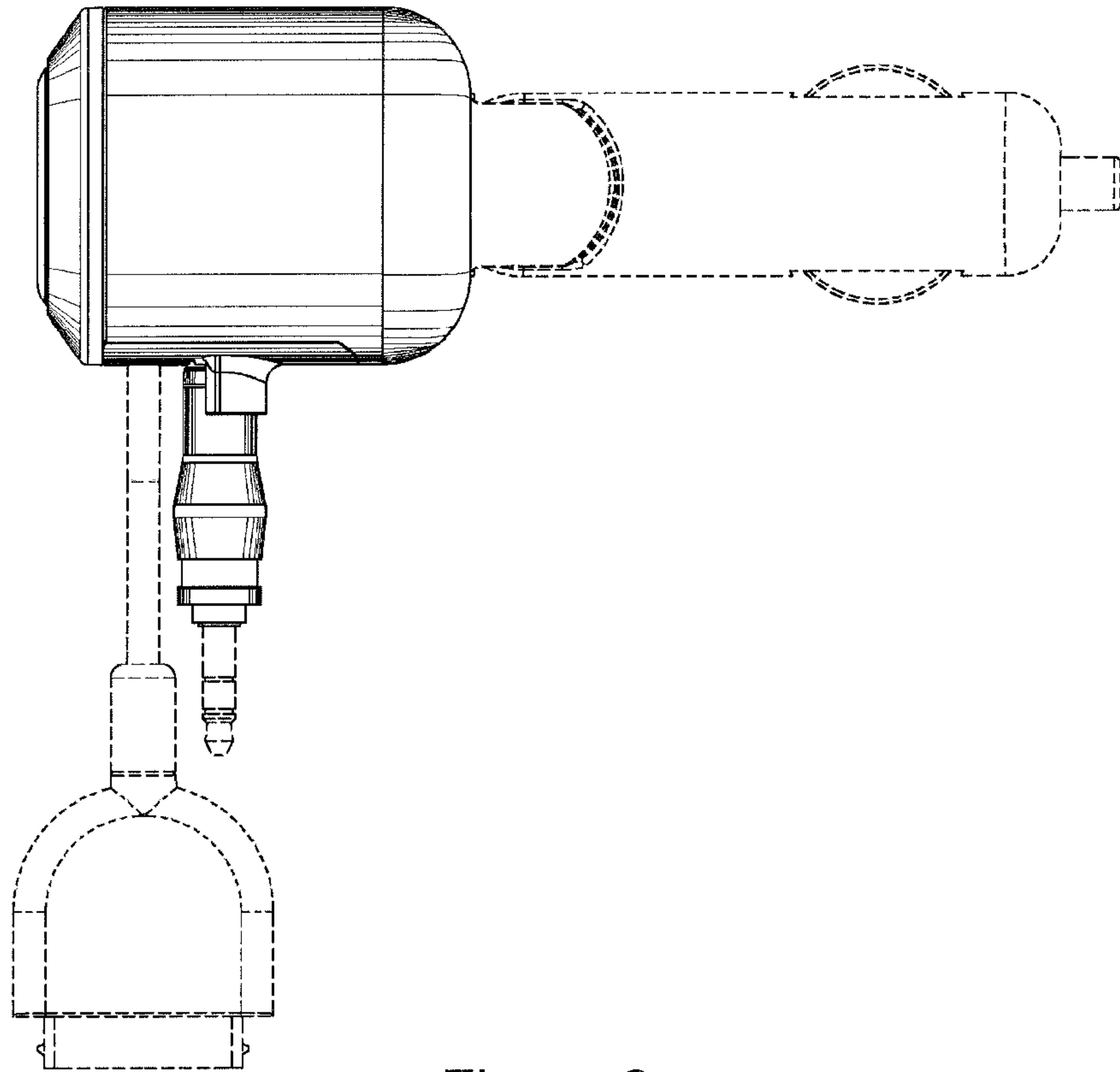


Figure 2

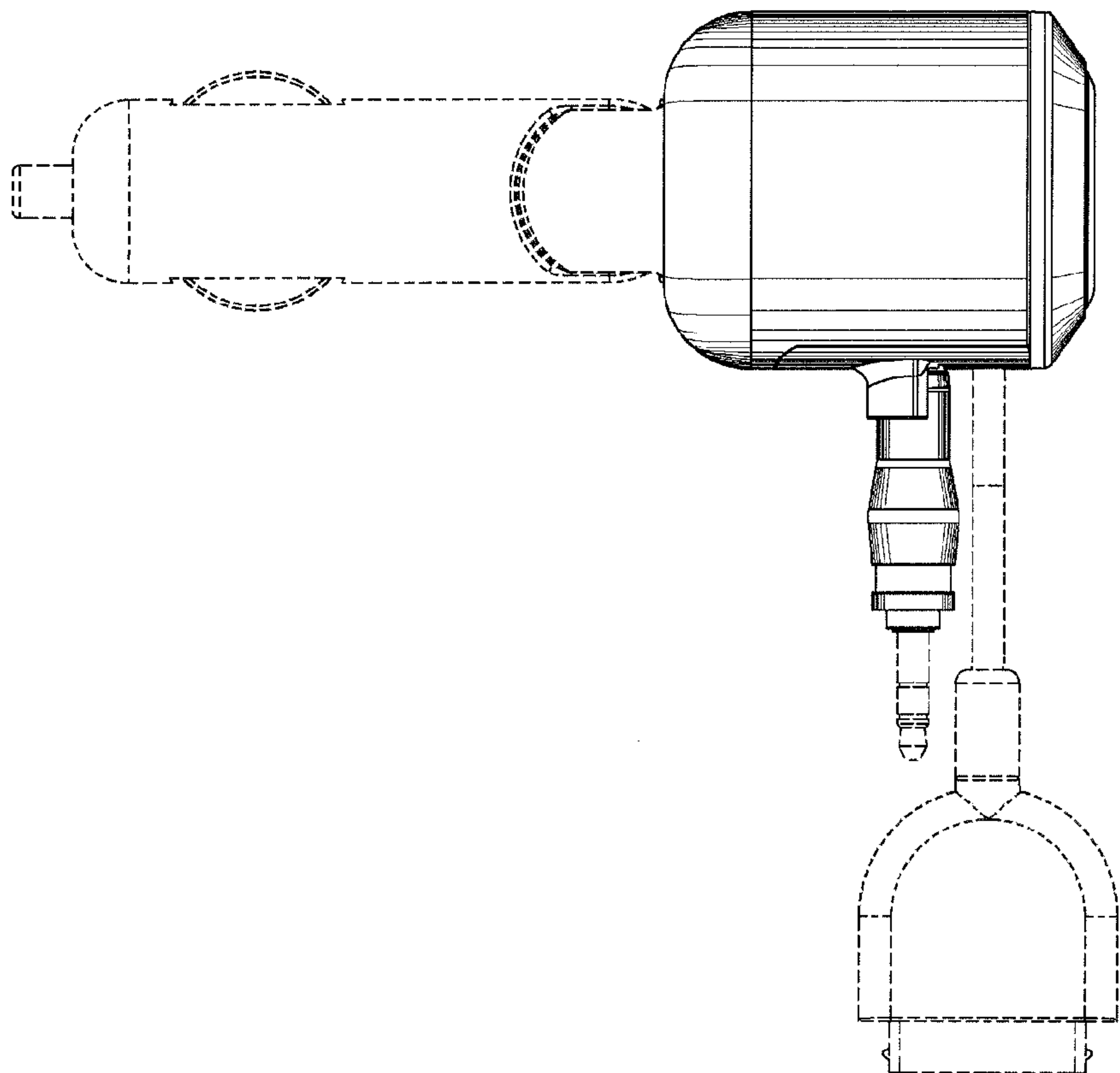


Figure 3

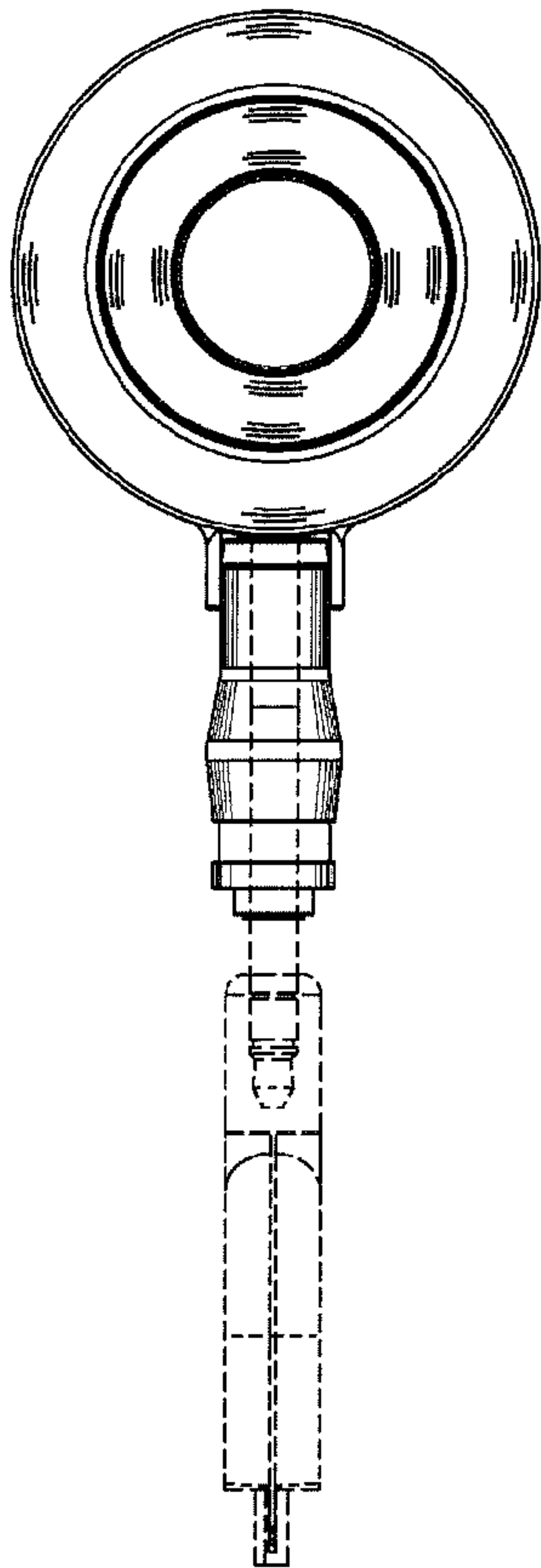


Figure 4

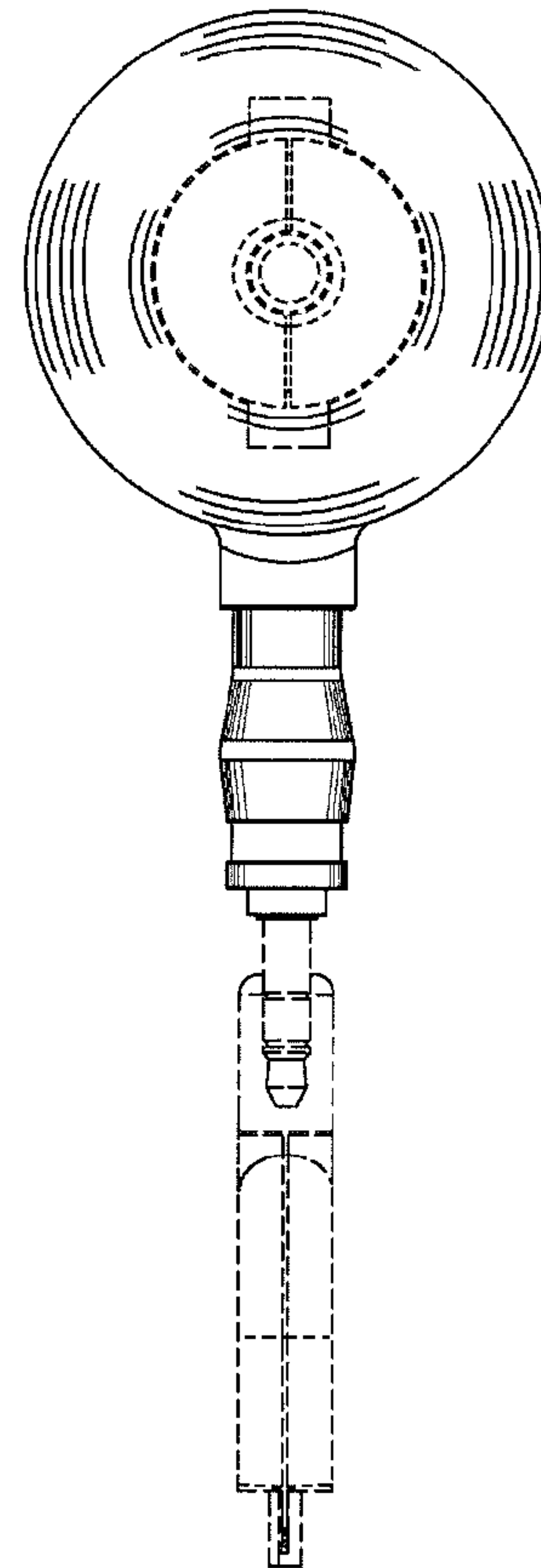


Figure 5

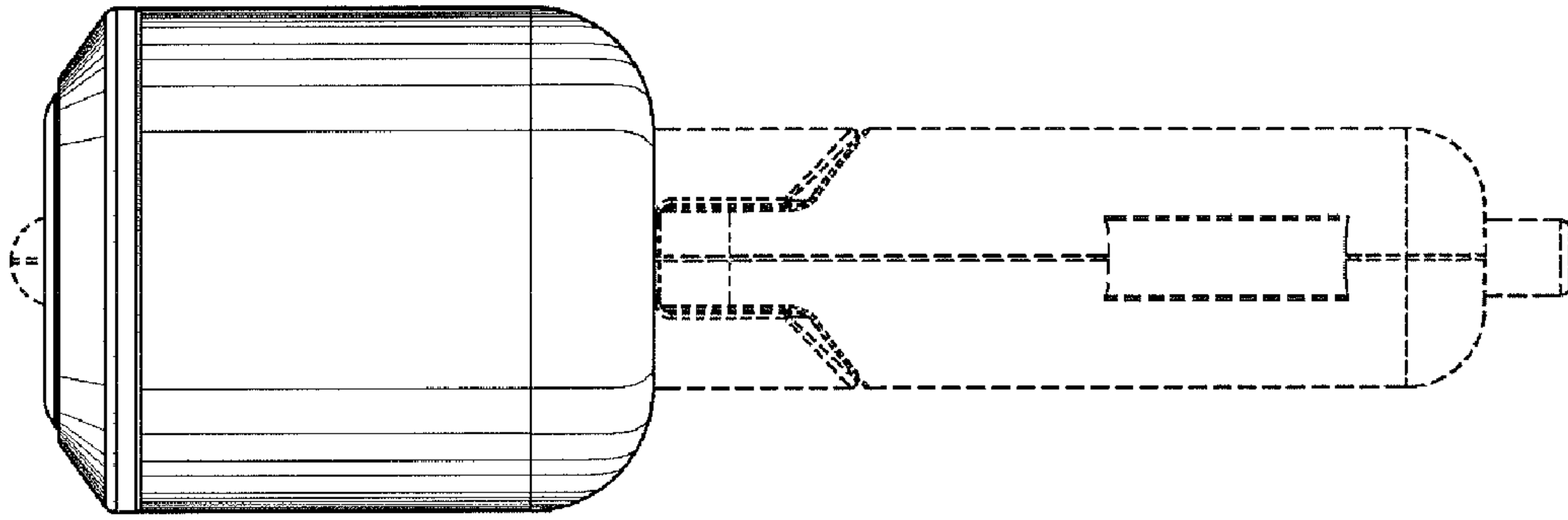


Figure 6

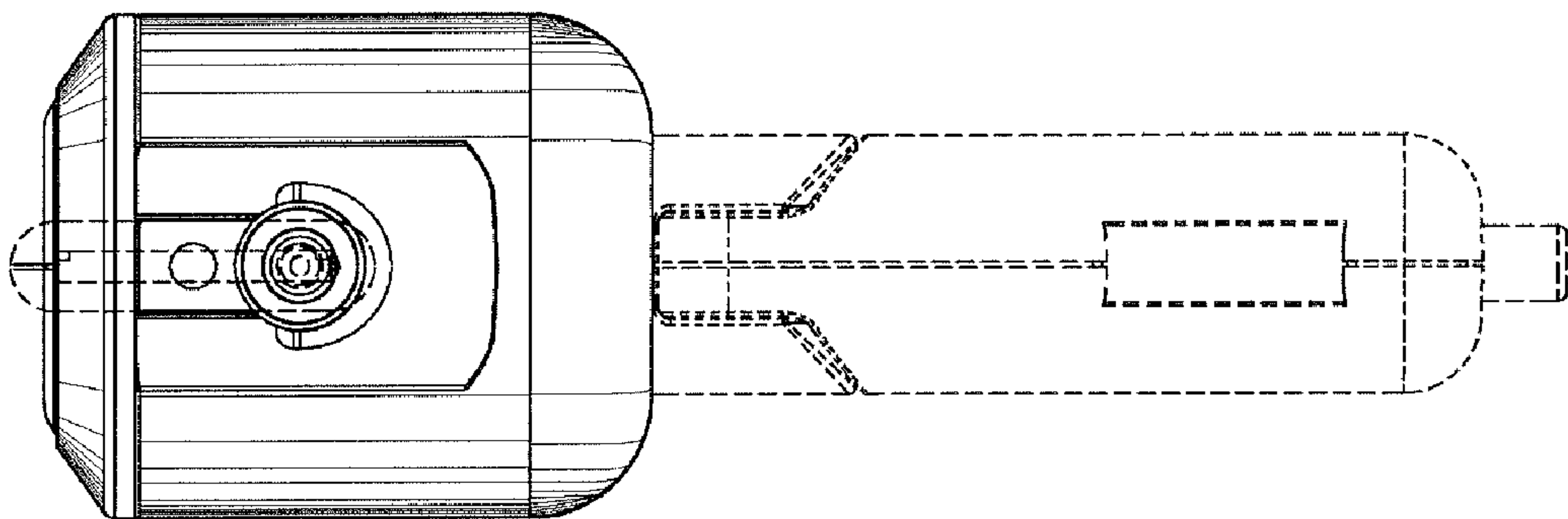


Figure 7