



US00D597936S

(12) **United States Design Patent**
Walsh et al.

(10) **Patent No.:** **US D597,936 S**

(45) **Date of Patent:** **** Aug. 11, 2009**

(54) **TWIN BATTERY PACK**

(75) Inventors: **John Walsh**, Northport, NY (US);
Kenneth Braganca, Ronkonkoma, NY (US)

(73) Assignee: **Designs for Vision, Inc.**, Ronkonkoma, NY (US)

(**) Term: **14 Years**

(21) Appl. No.: **29/310,393**

(22) Filed: **Aug. 13, 2008**

(51) **LOC (9) Cl.** **13-02**

(52) **U.S. Cl.** **D13/103**

(58) **Field of Classification Search** D13/102–106,
D13/110, 118–119, 184; 429/96–100, 163,
429/176

See application file for complete search history.

(56) **References Cited**

U.S. PATENT DOCUMENTS

1,075,556	A	*	10/1913	Fenoughty	429/99
D368,316	S	*	3/1996	Jansson	D26/39
D370,201	S	*	5/1996	Okano et al.	D13/103
D400,493	S	*	11/1998	Witkowski et al.	D13/103
D495,297	S	*	8/2004	Hriscu et al.	D13/110
D548,684	S	*	8/2007	Eto et al.	D13/103
D548,685	S	*	8/2007	Eto et al.	D13/103

D553,563	S	*	10/2007	Pizzi	D13/103
D556,683	S	*	12/2007	Bonanno	D13/110
D561,094	S	*	2/2008	Sween et al.	D13/110
D561,687	S	*	2/2008	Sween et al.	D13/110
D568,240	S	*	5/2008	Haydvoegel	D13/103
D583,756	S	*	12/2008	Walsh et al.	D13/103

* cited by examiner

Primary Examiner—Jennifer Rivard

Assistant Examiner—Rosemary K Tarcza

(74) *Attorney, Agent, or Firm*—The Plevy Law Firm

(57) **CLAIM**

We claim, the ornamental design for a twin battery pack, as shown and described.

DESCRIPTION

FIG. 1 is a front perspective view, showing our new design;

FIG. 2 is a side elevational view thereof;

FIG. 3 is a side elevation view from the opposite side shown in FIG. 2;

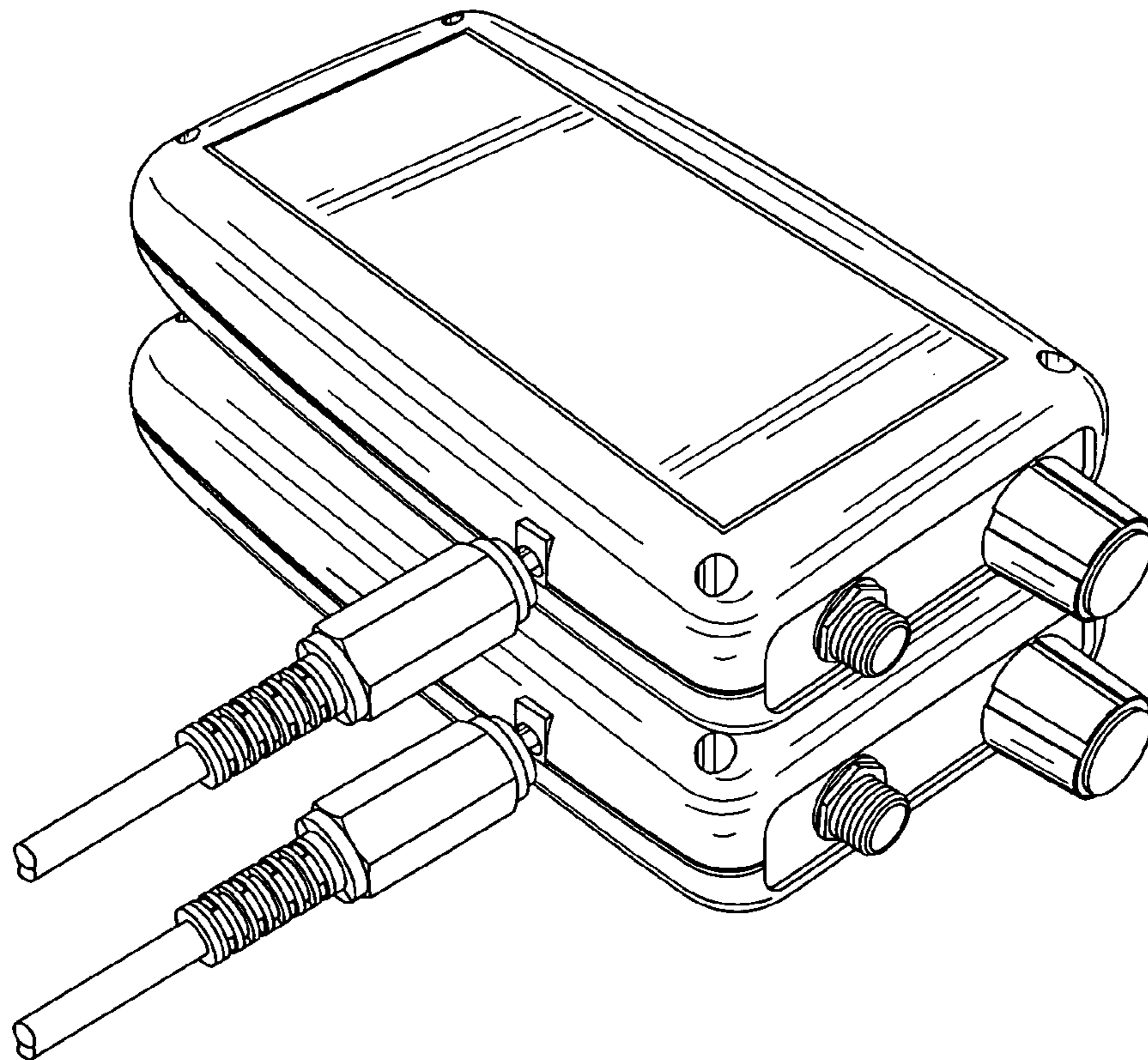
FIG. 4 is a front elevational view;

FIG. 5 is a rear elevational view;

FIG. 6 is a top plan view; and,

FIG. 7 is a bottom plan view from the opposite side shown in FIG. 6, with the cables removed for ease of illustration.

1 Claim, 4 Drawing Sheets



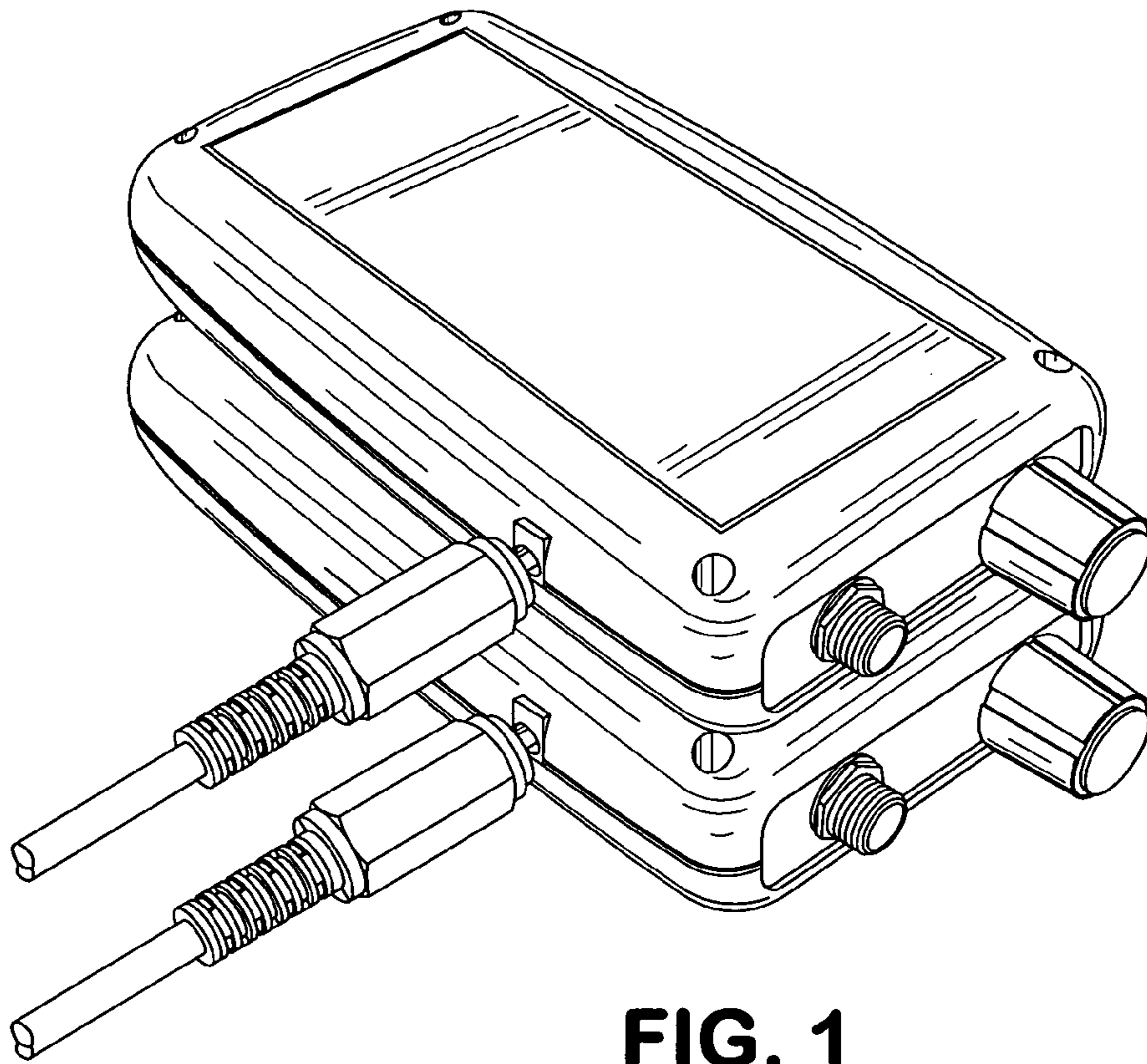


FIG. 1

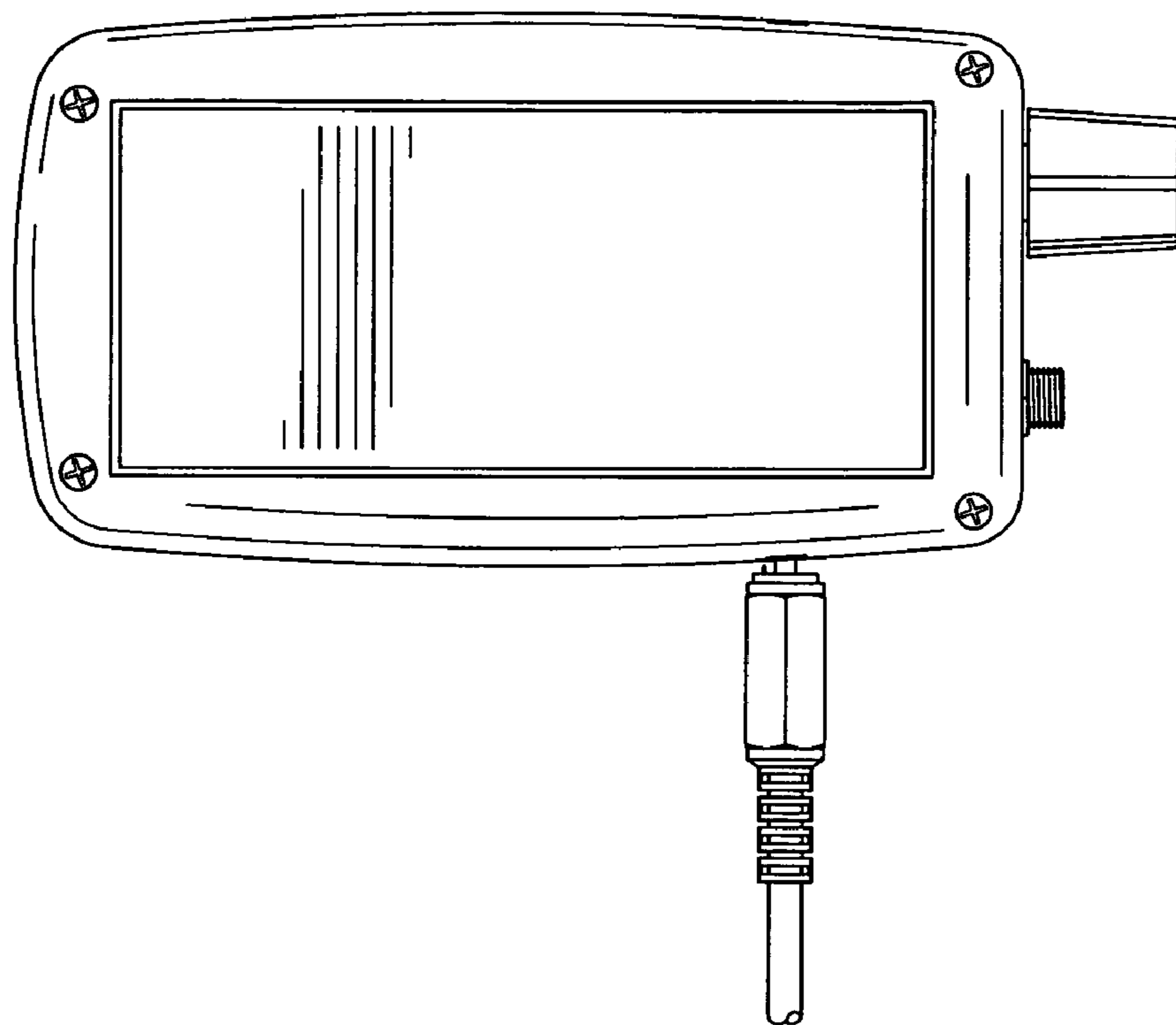


FIG. 2

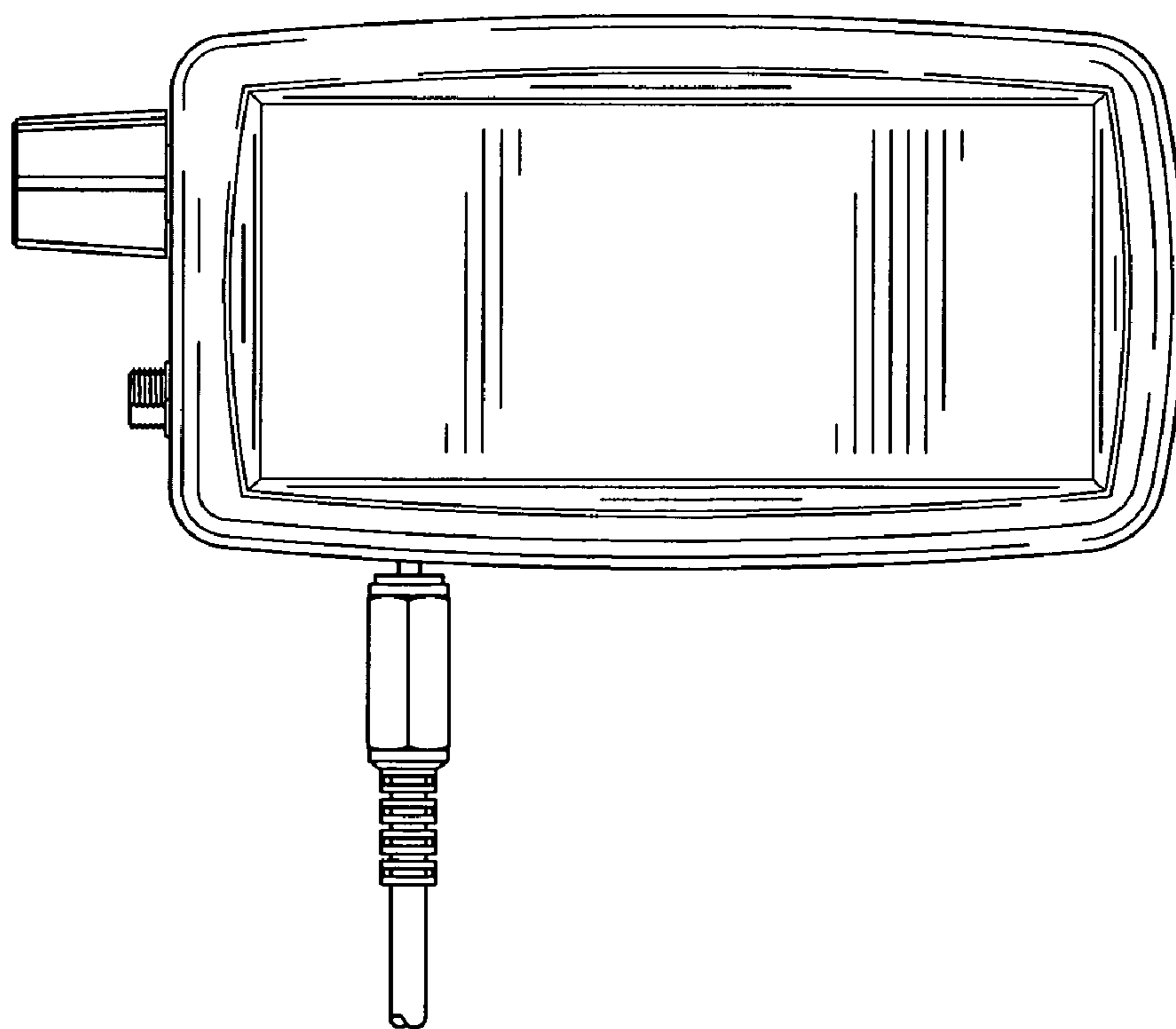


FIG. 3

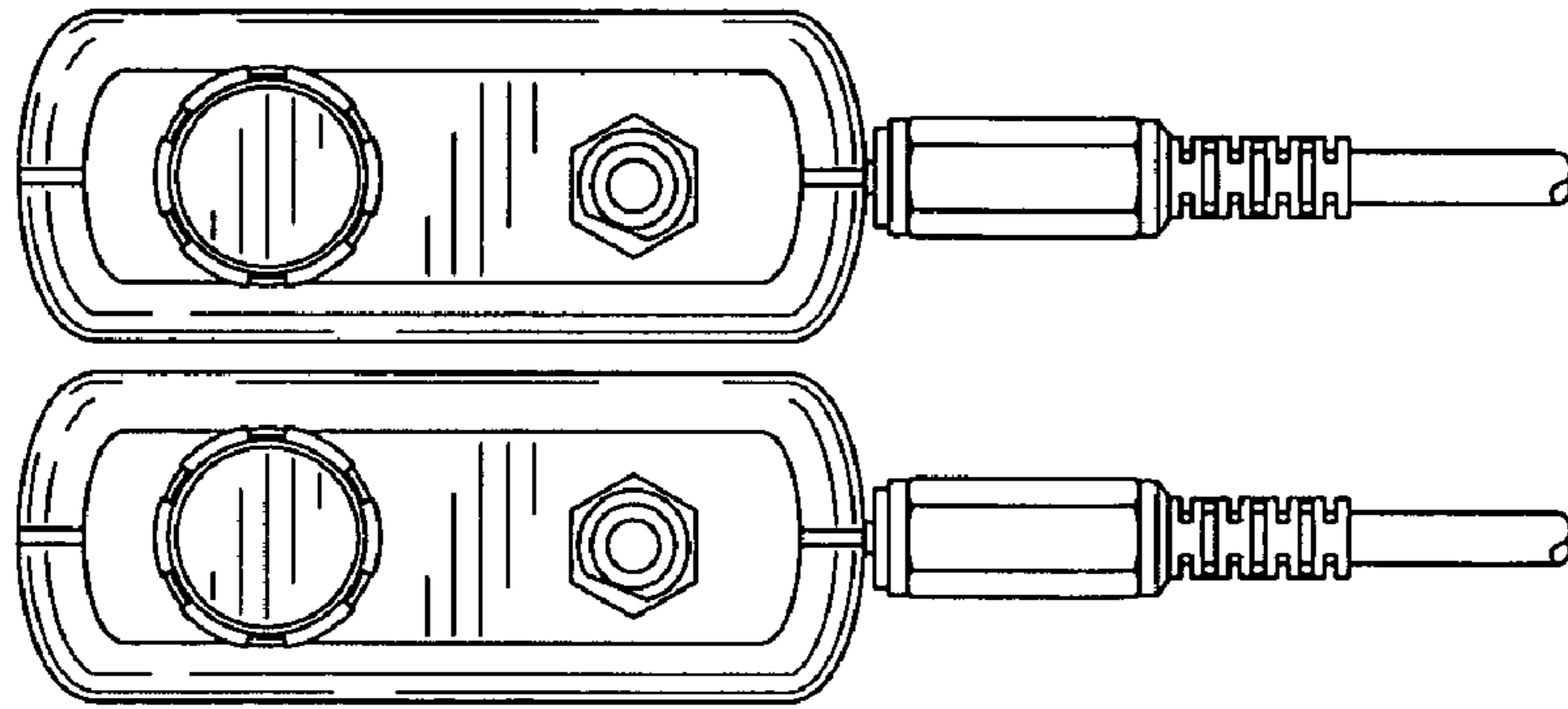


FIG. 4

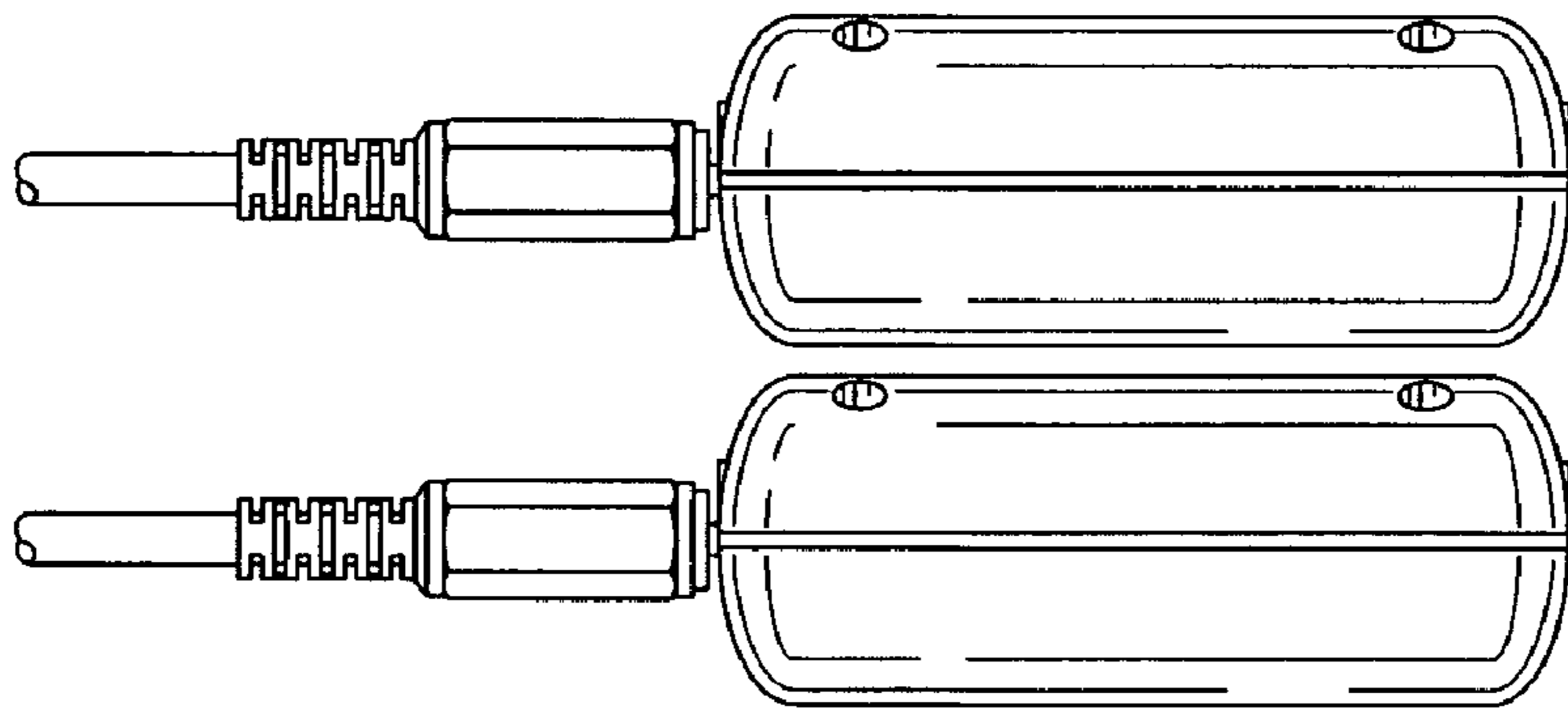


FIG. 5

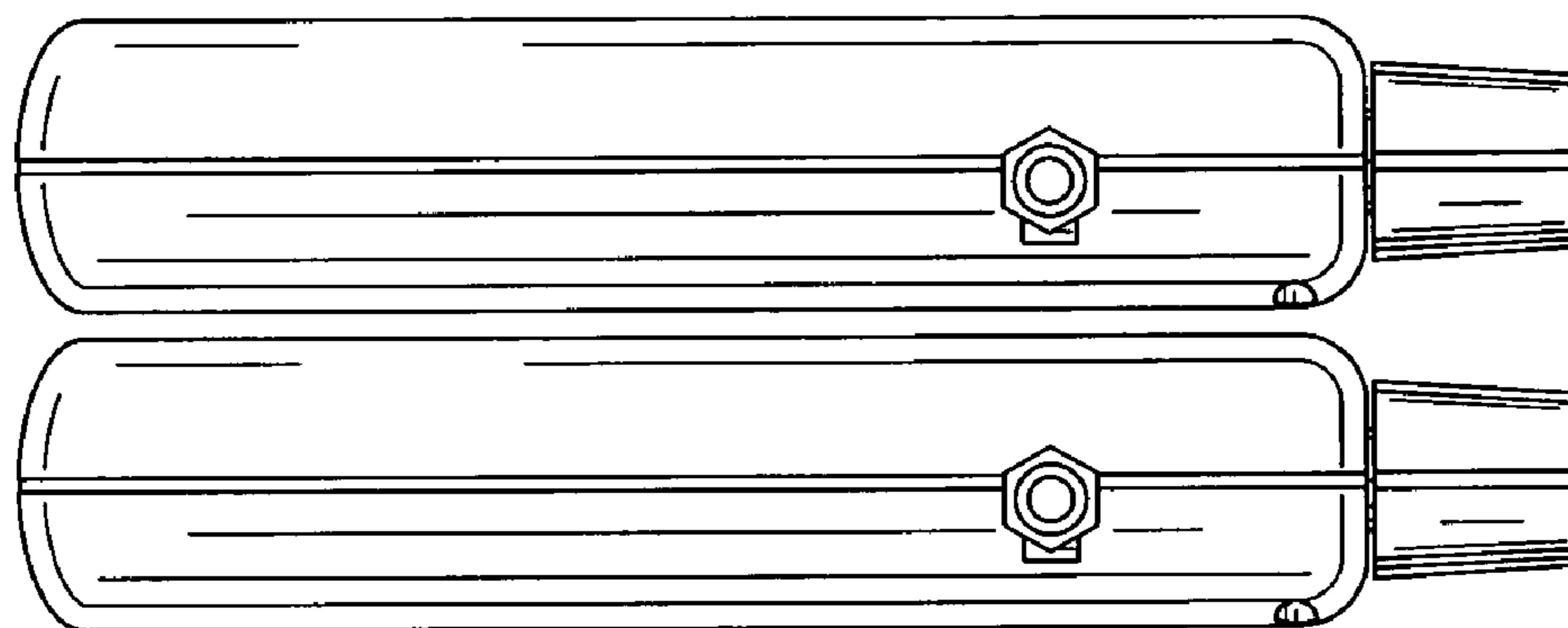


FIG. 6

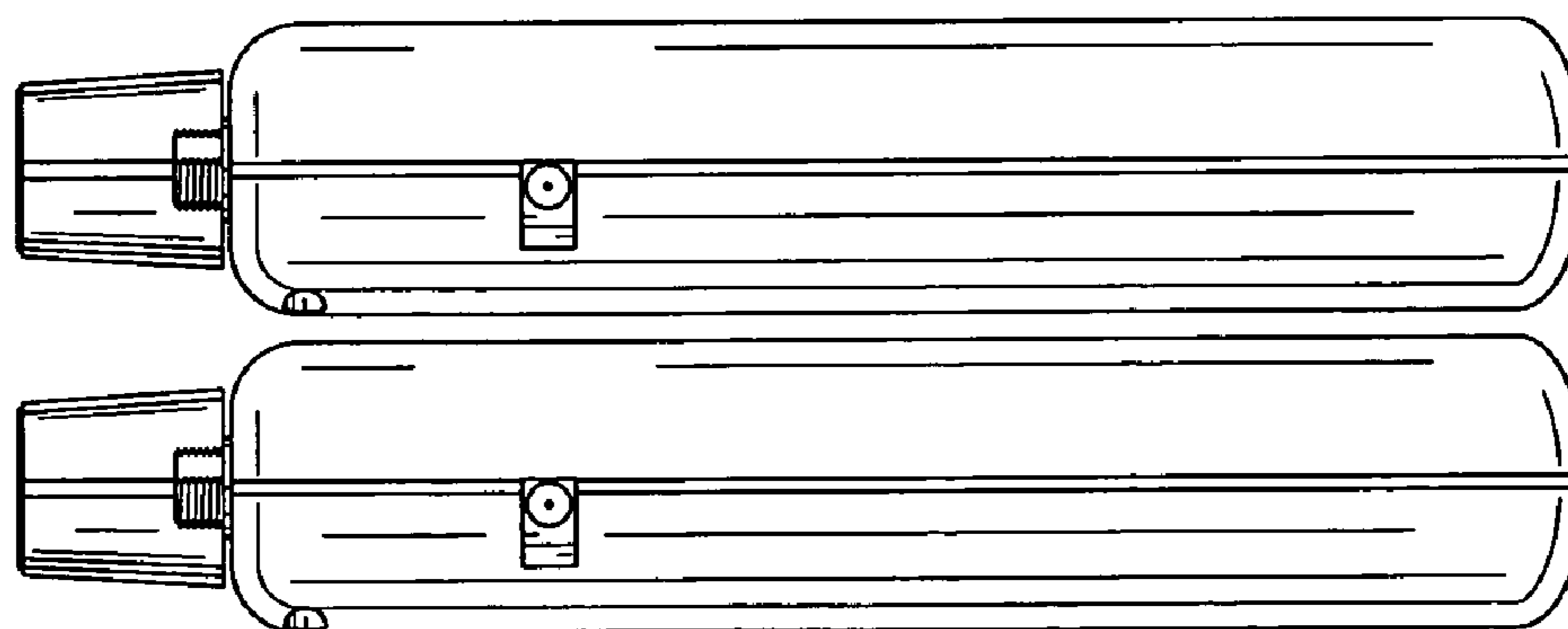


FIG. 7