



US00D597935S

(12) **United States Design Patent**
Aglassinger

(10) **Patent No.:** **US D597,935 S**

(45) **Date of Patent:** **** Aug. 11, 2009**

(54) **BATTERY PACK**

D562,227 S * 2/2008 Yamada et al. D13/103
D562,228 S * 2/2008 Okada et al. D13/103

(75) Inventor: **Hans-Peter Aglassinger**, Esslingen (DE)

* cited by examiner

(73) Assignee: **Robert Bosch GmbH**, Stuttgart (DE)

Primary Examiner—Jennifer Rivard
Assistant Examiner—Rosemary K Tarcza

(**) Term: **14 Years**

(74) *Attorney, Agent, or Firm*—Victor A. Henzi

(21) Appl. No.: **29/306,576**

(57) **CLAIM**

(22) Filed: **Apr. 11, 2008**

The ornamental design for the battery pack, as shown and described.

(30) **Foreign Application Priority Data**

Oct. 29, 2007 (EM) 000817259

DESCRIPTION

(51) **LOC (9) Cl.** **13-02**

FIG. 1 is a front left perspective view of the battery pack;

(52) **U.S. Cl.** **D13/103**

FIG. 2 is a right elevational view thereof;

(58) **Field of Classification Search** D13/102–106,

FIG. 3 is a left elevational view thereof;

D13/110, 118–21; 429/96–100, 163, 176

FIG. 4 is a top plan view thereof;

See application file for complete search history.

FIG. 5 is a bottom plan view thereof;

(56) **References Cited**

FIG. 6 is a front elevational view thereof; and,

U.S. PATENT DOCUMENTS

FIG. 7 is a rear elevational view thereof.

D478,608 S * 8/2003 Briks et al. D16/237

The broken lines depict portions of the design that are not claimed. The broken lines and structures they depict form no part of the claimed design.

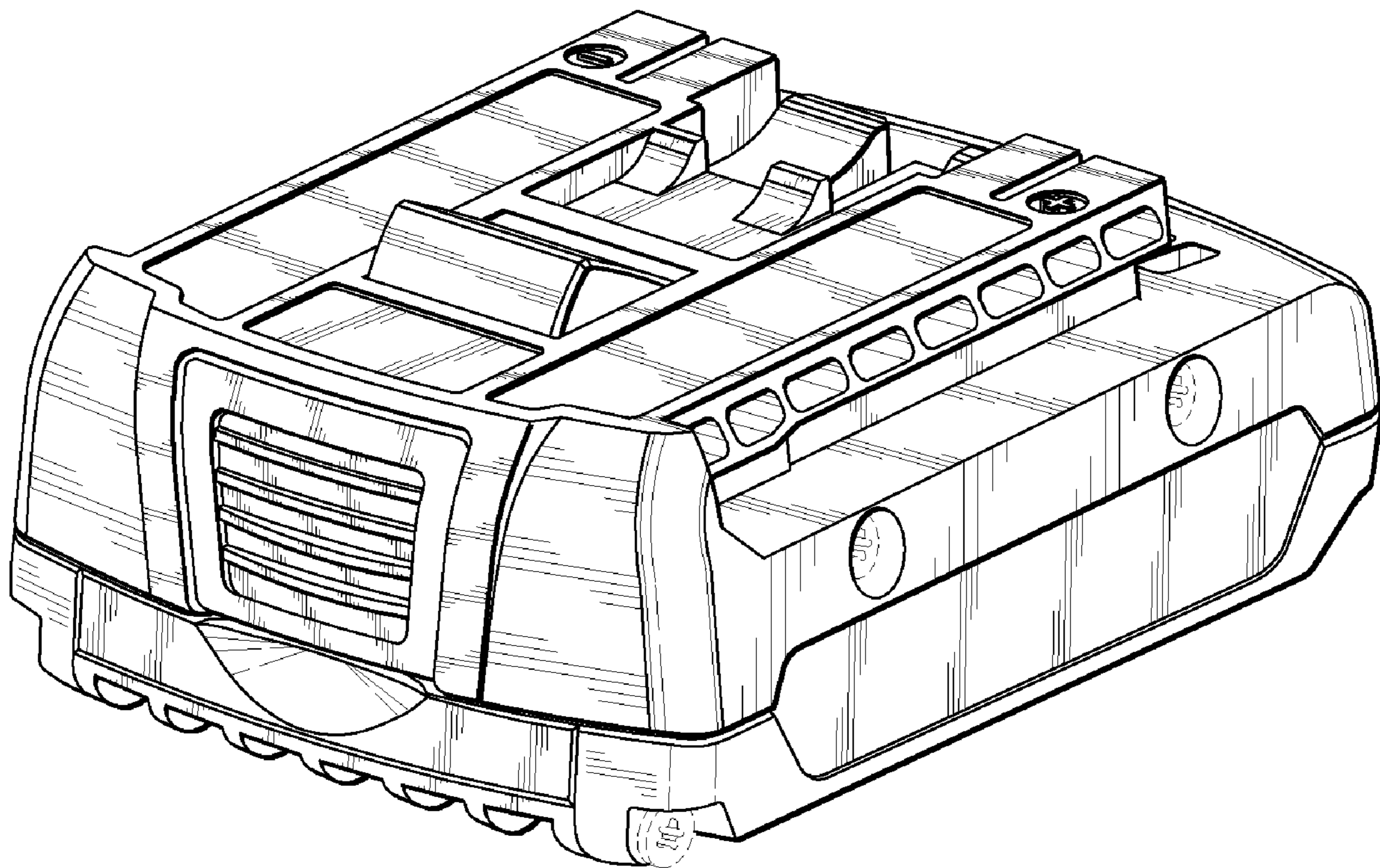
D481,672 S * 11/2003 Niwa et al. D13/103

D516,504 S * 3/2006 Okuda et al. D13/103

D550,152 S * 9/2007 Okuda et al. D13/103

D555,086 S * 11/2007 Zhang D13/103

1 Claim, 4 Drawing Sheets



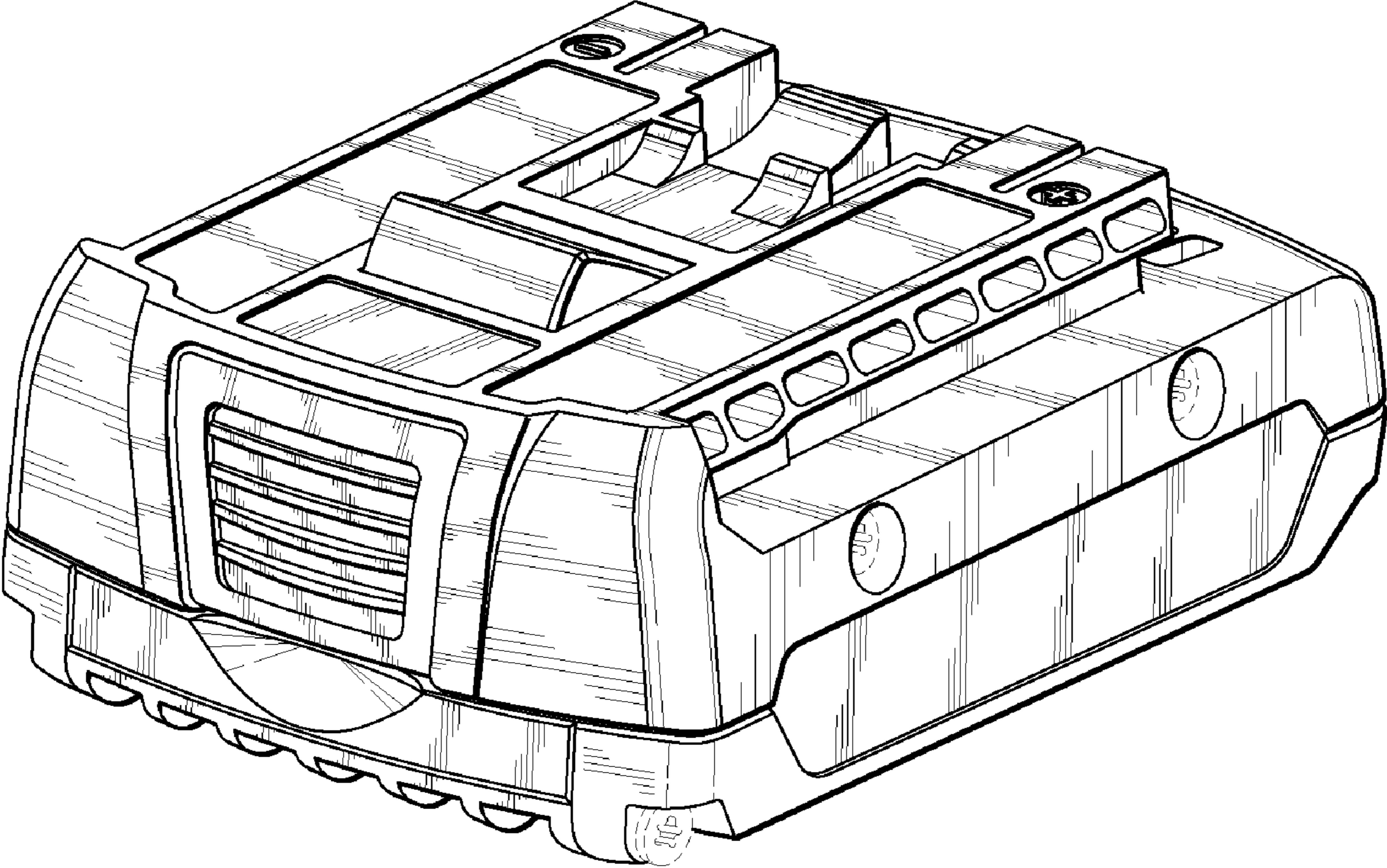


Fig. 1

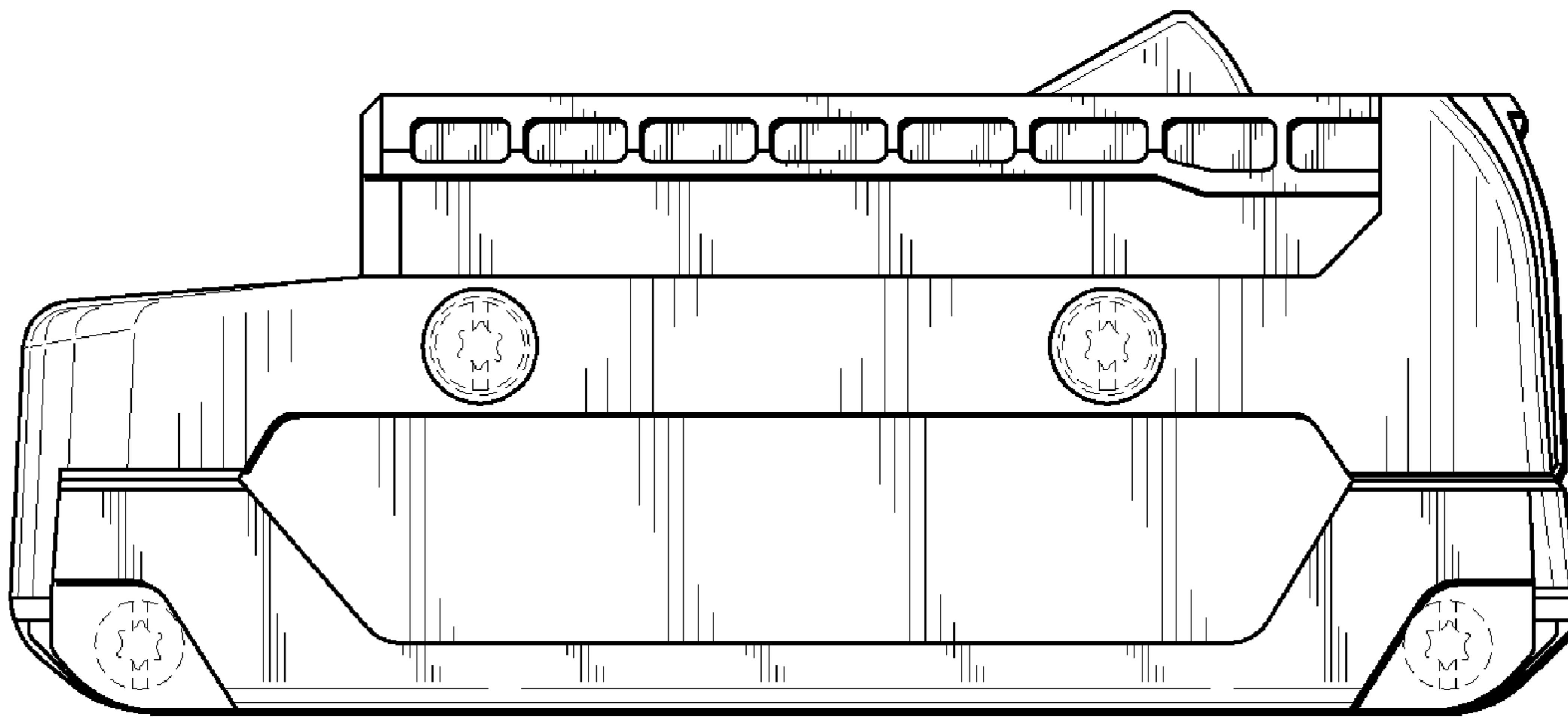


Fig. 2

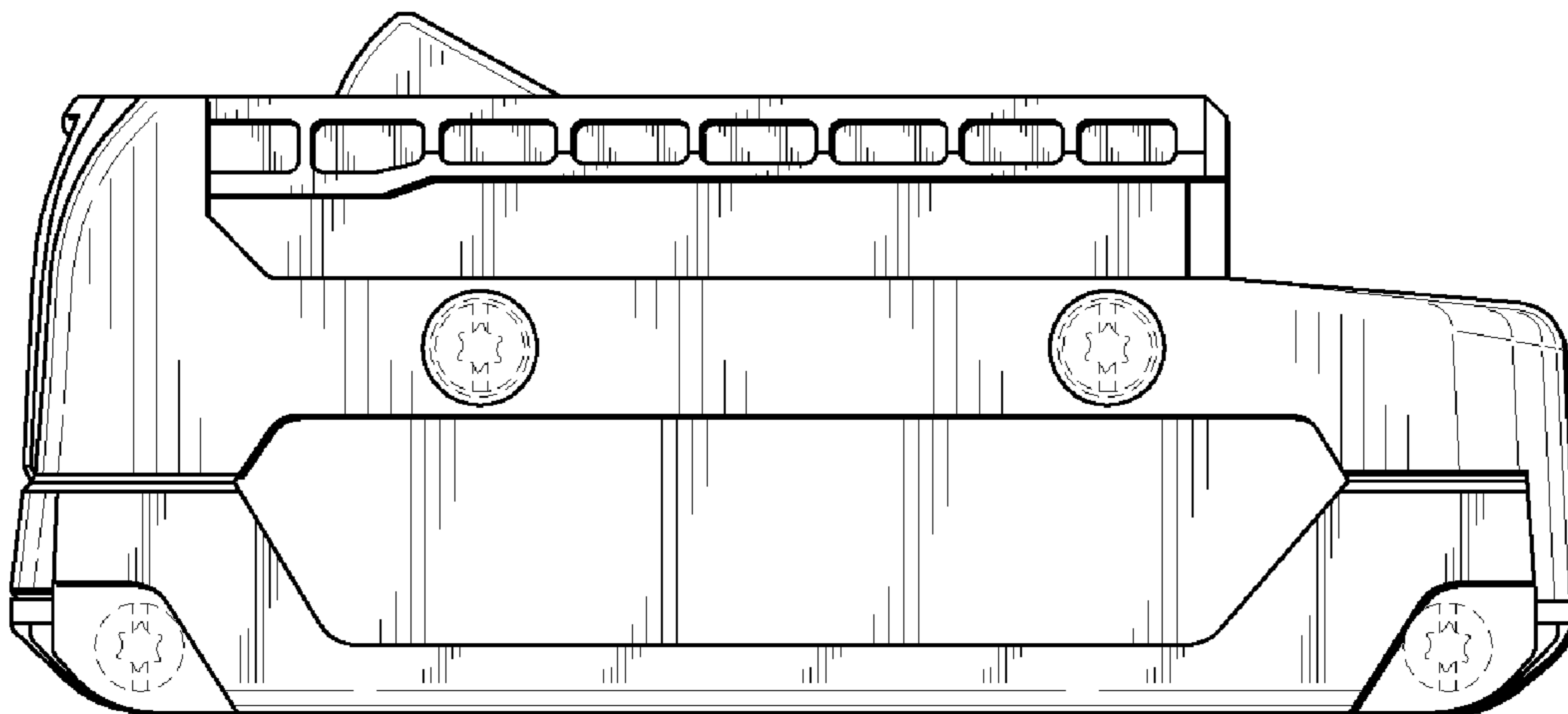


Fig. 3

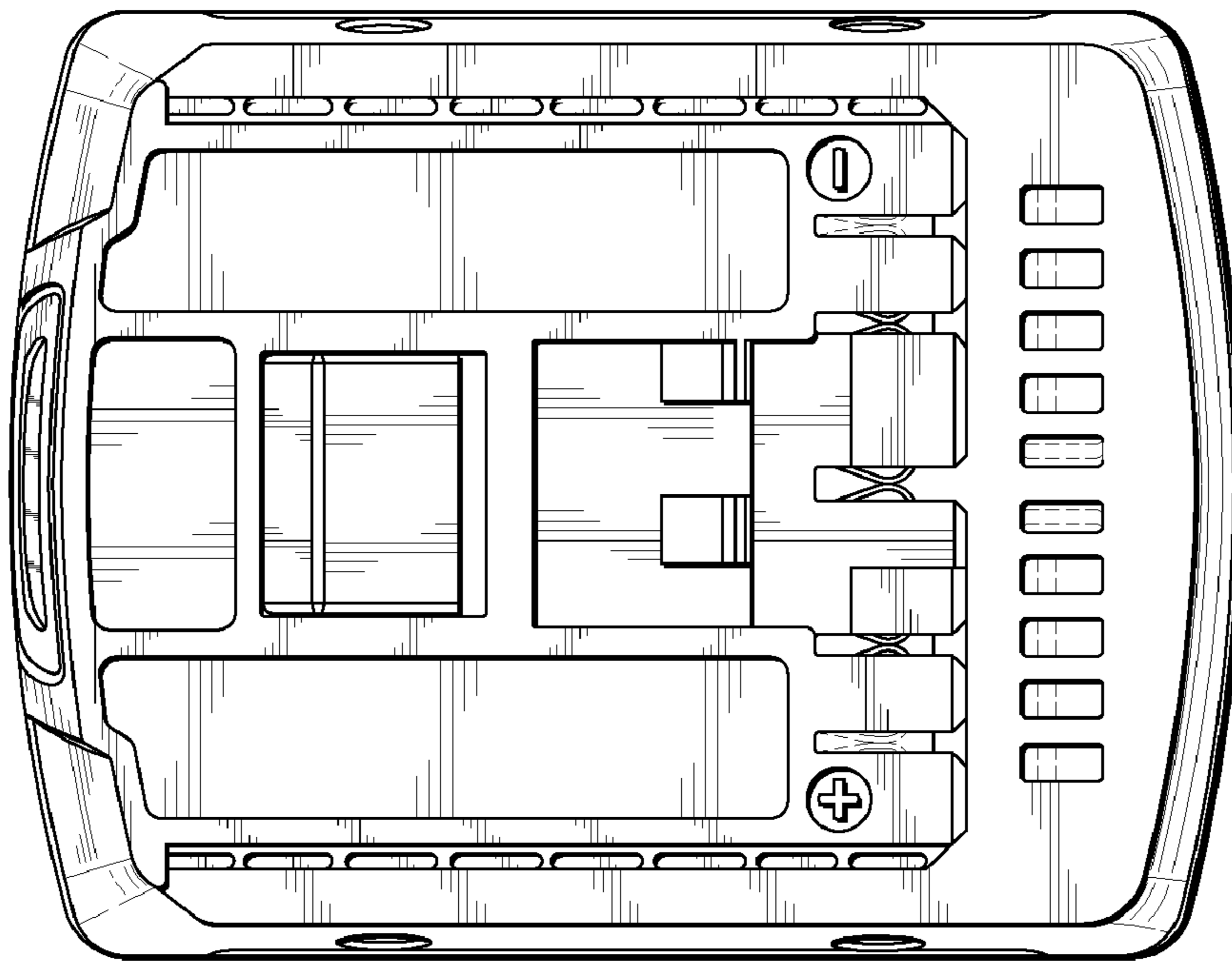


Fig. 4

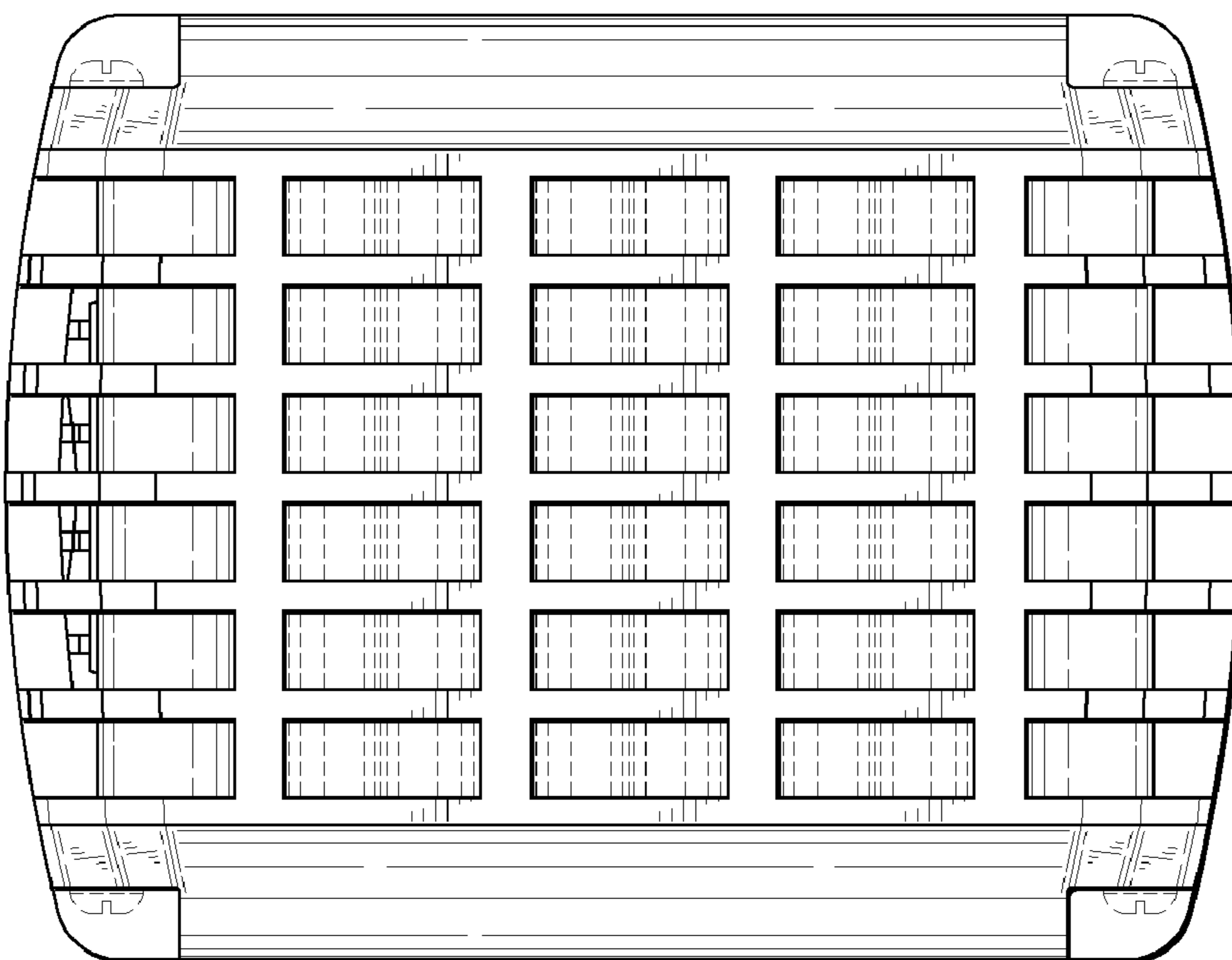


Fig. 5

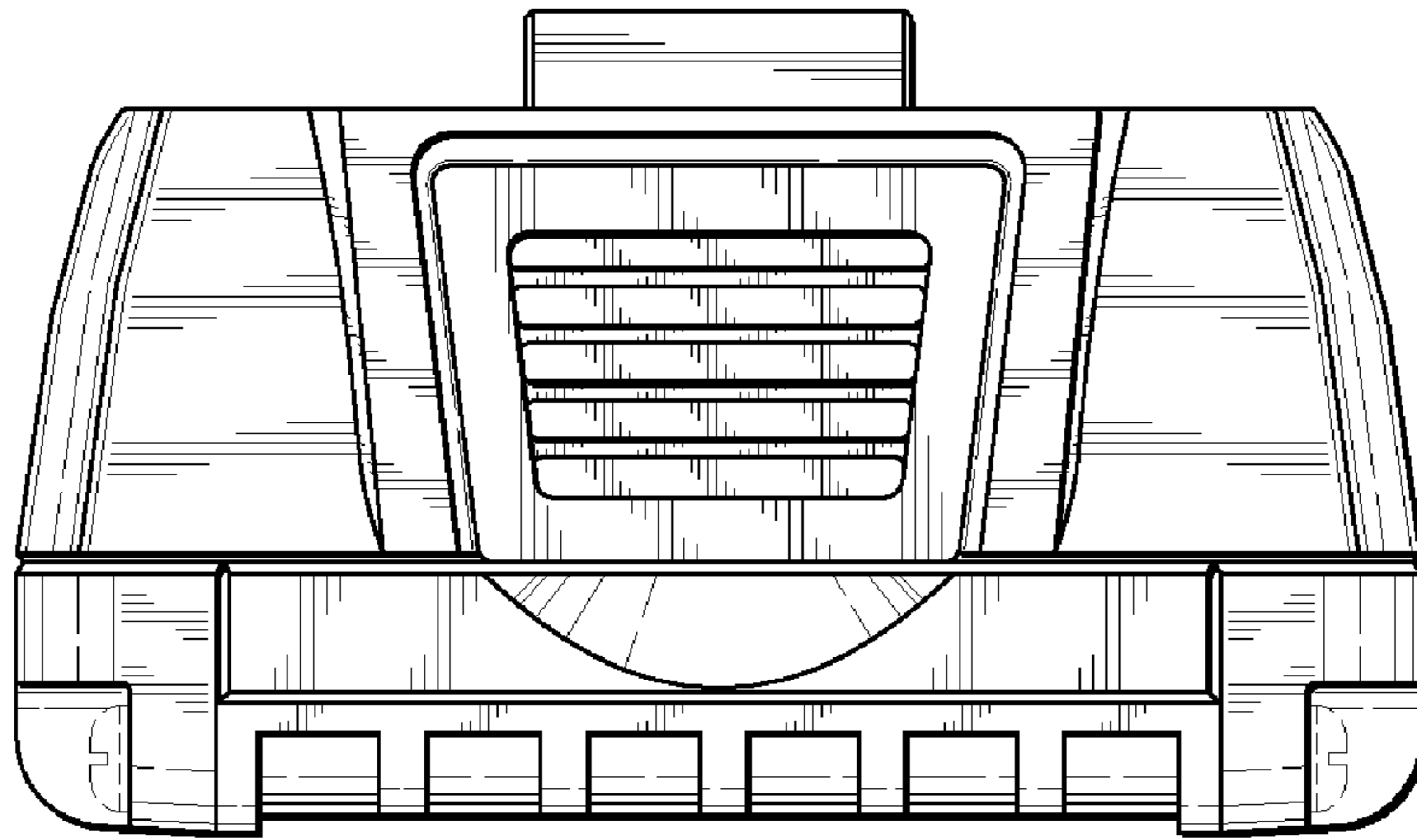


Fig. 6

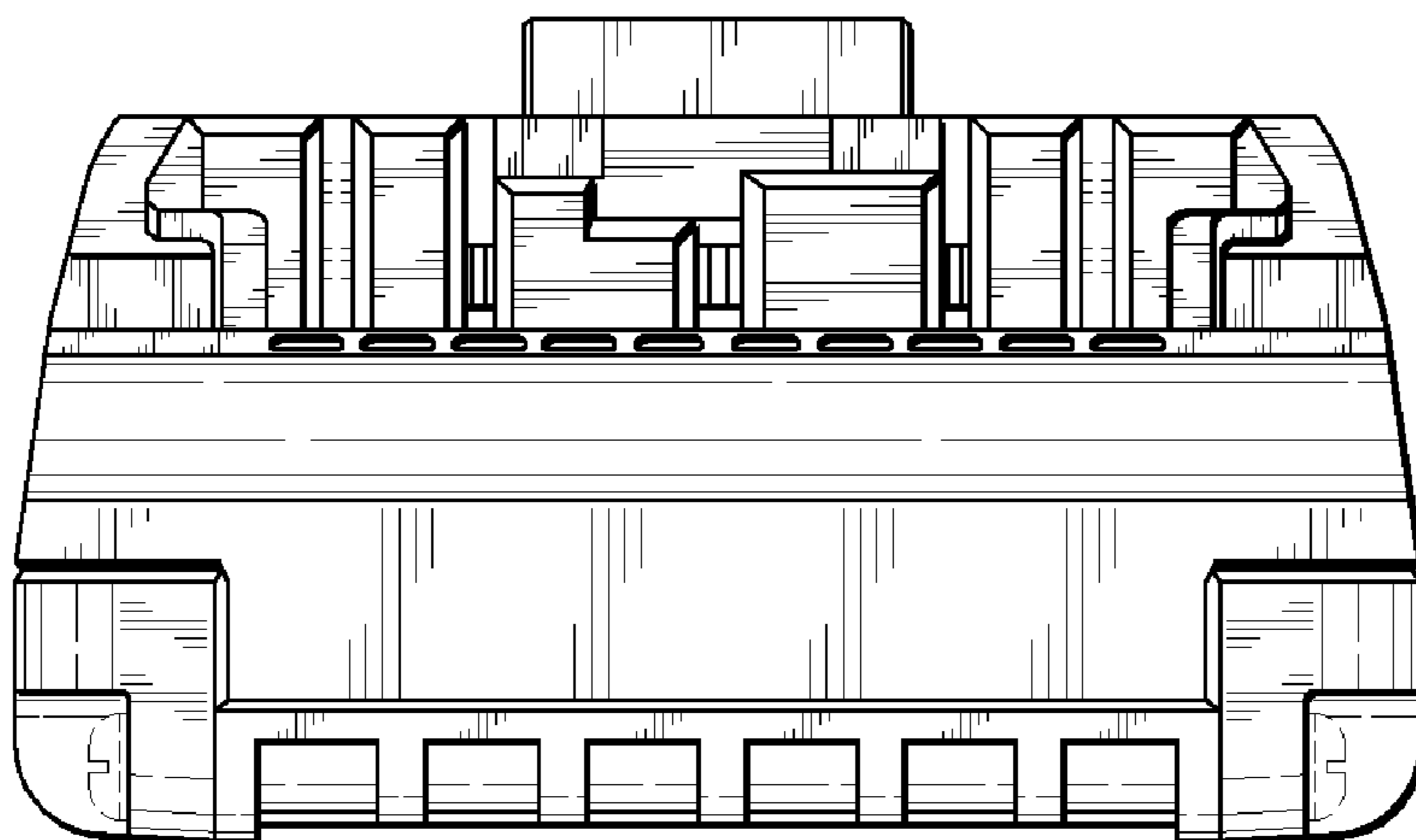


Fig. 7