

US00D597932S

(12) **United States Design Patent**  
**Aglassinger**

(10) **Patent No.:** **US D597,932 S**

(45) **Date of Patent:** **\*\* Aug. 11, 2009**

(54) **BATTERY PACK**

D562,227 S \* 2/2008 Yamada et al. .... D13/103  
D562,228 S \* 2/2008 Okada et al. .... D13/103

(75) Inventor: **Hans-Peter Aglassinger**, Esslingen (DE)

\* cited by examiner

(73) Assignee: **Robert Bosch GmbH**, Stuttgart (DE)

*Primary Examiner*—Jennifer Rivard  
*Assistant Examiner*—Rosemary K Tarcza  
(74) *Attorney, Agent, or Firm*—Victor A. Henzi

(\*\*) Term: **14 Years**

(21) Appl. No.: **29/306,573**

(22) Filed: **Apr. 11, 2008**

(57) **CLAIM**

(30) **Foreign Application Priority Data**

The ornamental design for the battery pack, as shown and described.

Oct. 29, 2007 (EM) ..... 000817259

**DESCRIPTION**

(51) **LOC (9) Cl.** ..... **13-02**

(52) **U.S. Cl.** ..... **D13/103**

(58) **Field of Classification Search** ..... D13/102–106,  
D13/110, 118–21, 184; 429/96–100, 163,  
429/176

FIG. 1 is a front left perspective view of the battery pack;  
FIG. 2 is a right elevational view thereof;  
FIG. 3 is a left elevational view thereof;  
FIG. 4 is a top plan view thereof;  
FIG. 5 is a bottom plan view thereof;  
FIG. 6 is a front elevational view thereof; and,  
FIG. 7 is a rear elevational view thereof.

See application file for complete search history.

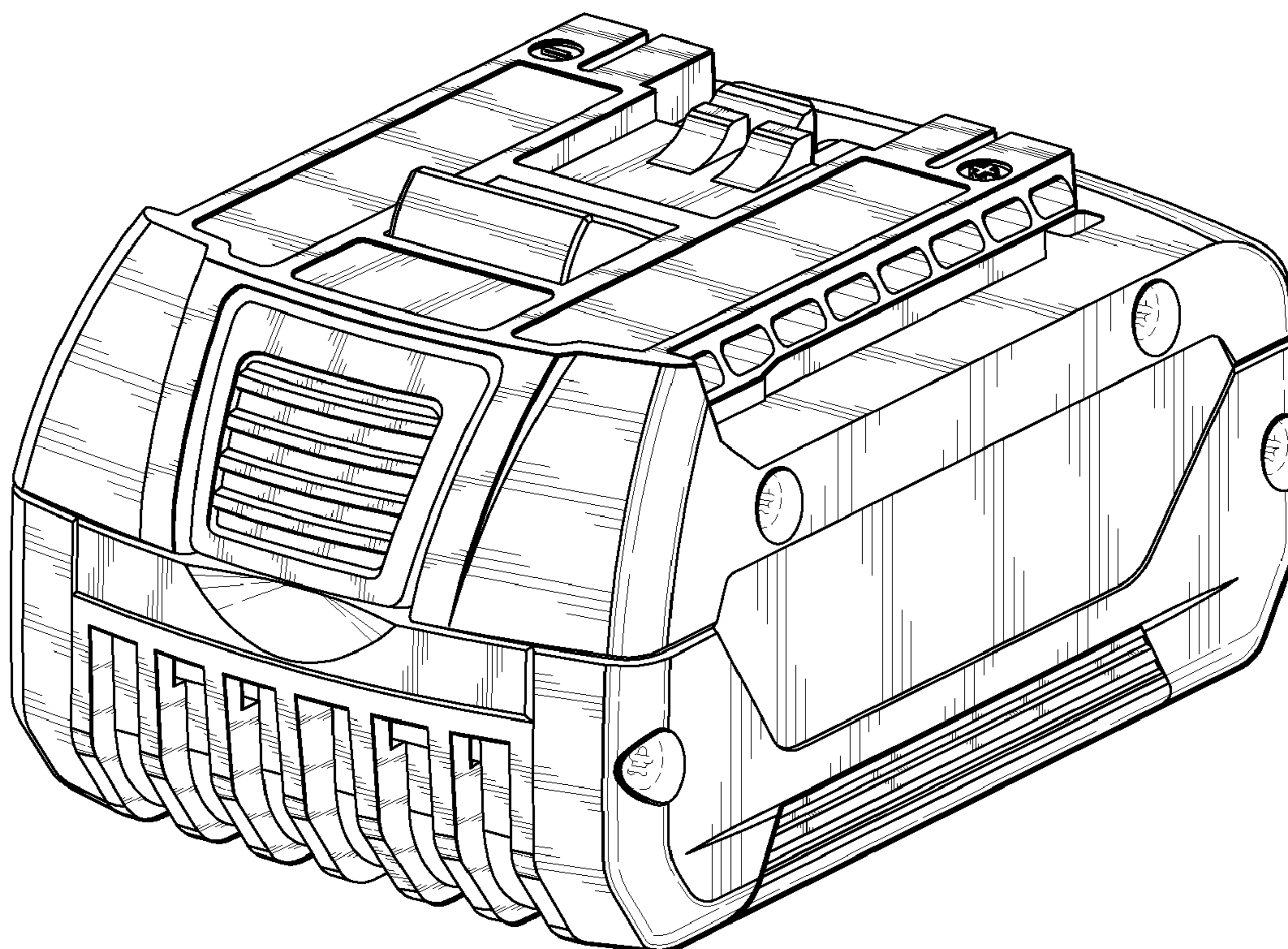
The broken lines depict portions of the design that are not claimed. The broken lines and structures they depict form no part of the claimed design.

(56) **References Cited**

**U.S. PATENT DOCUMENTS**

D478,608 S \* 8/2003 Briks et al. .... D16/237  
D481,672 S \* 11/2003 Niwa et al. .... D13/103  
D516,504 S \* 3/2006 Okuda et al. .... D13/103  
D550,152 S \* 9/2007 Okuda et al. .... D13/103  
D555,086 S \* 11/2007 Zhang et al. .... D13/103

**1 Claim, 4 Drawing Sheets**



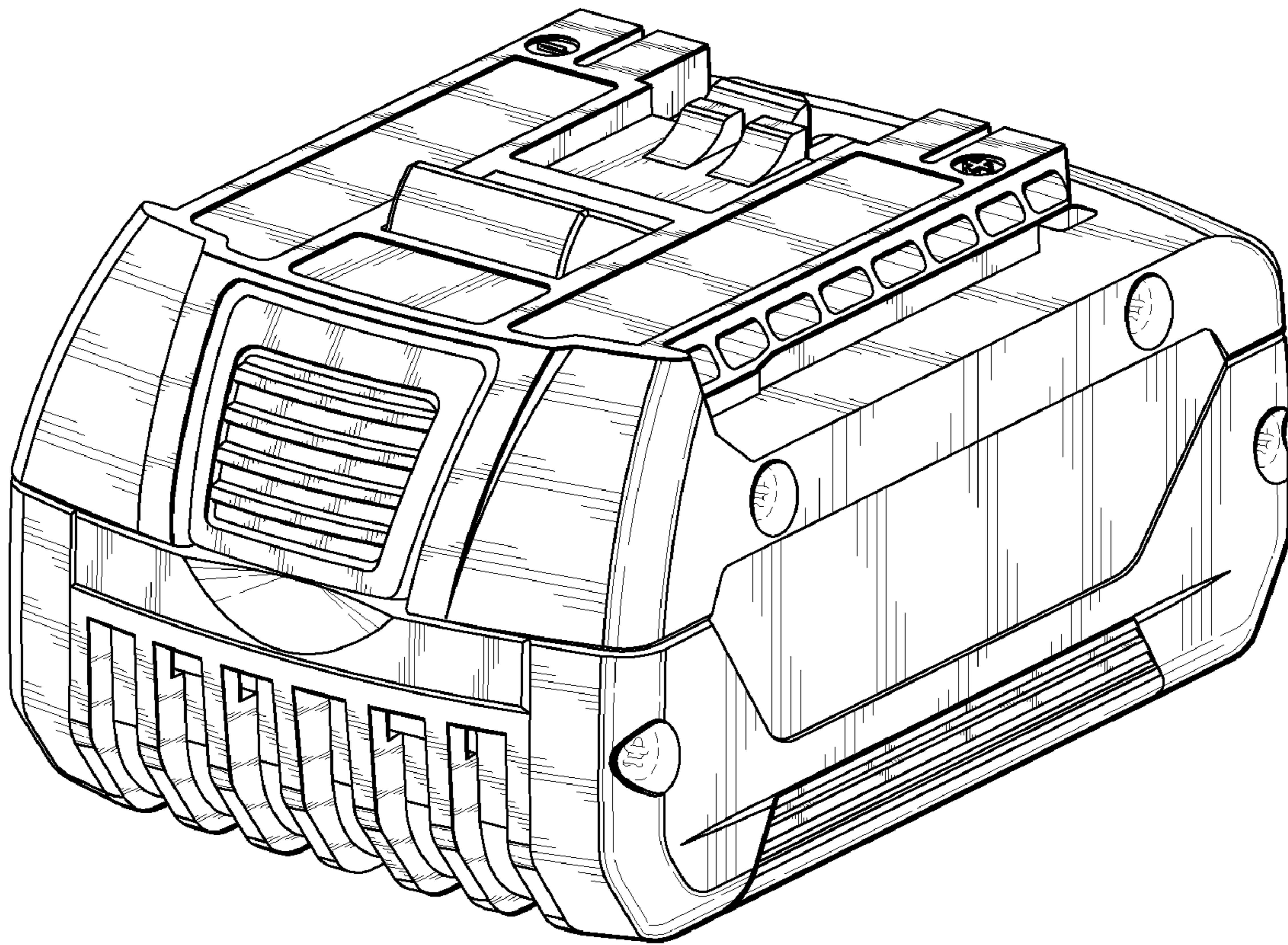


Fig. 1

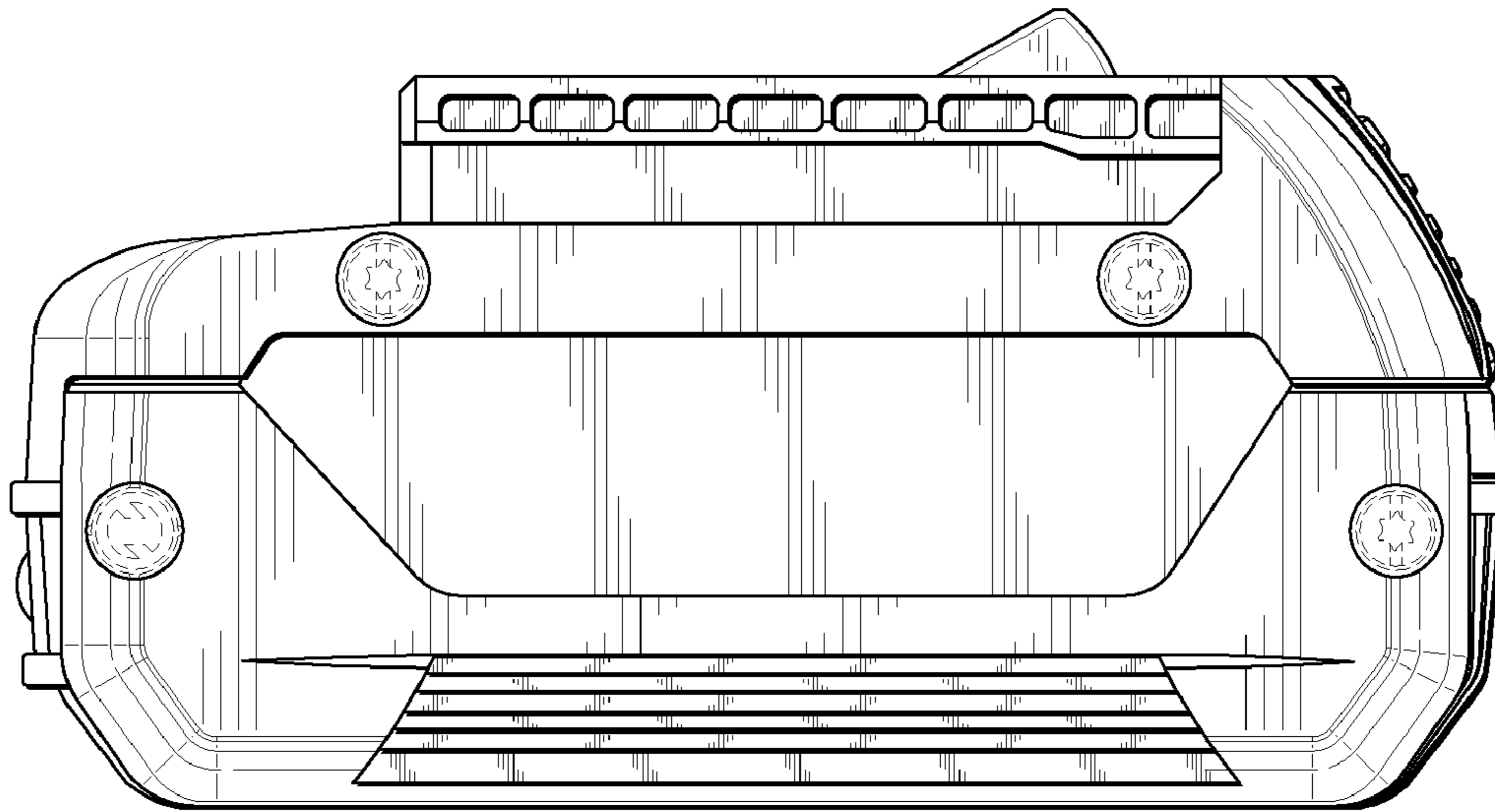


Fig. 2

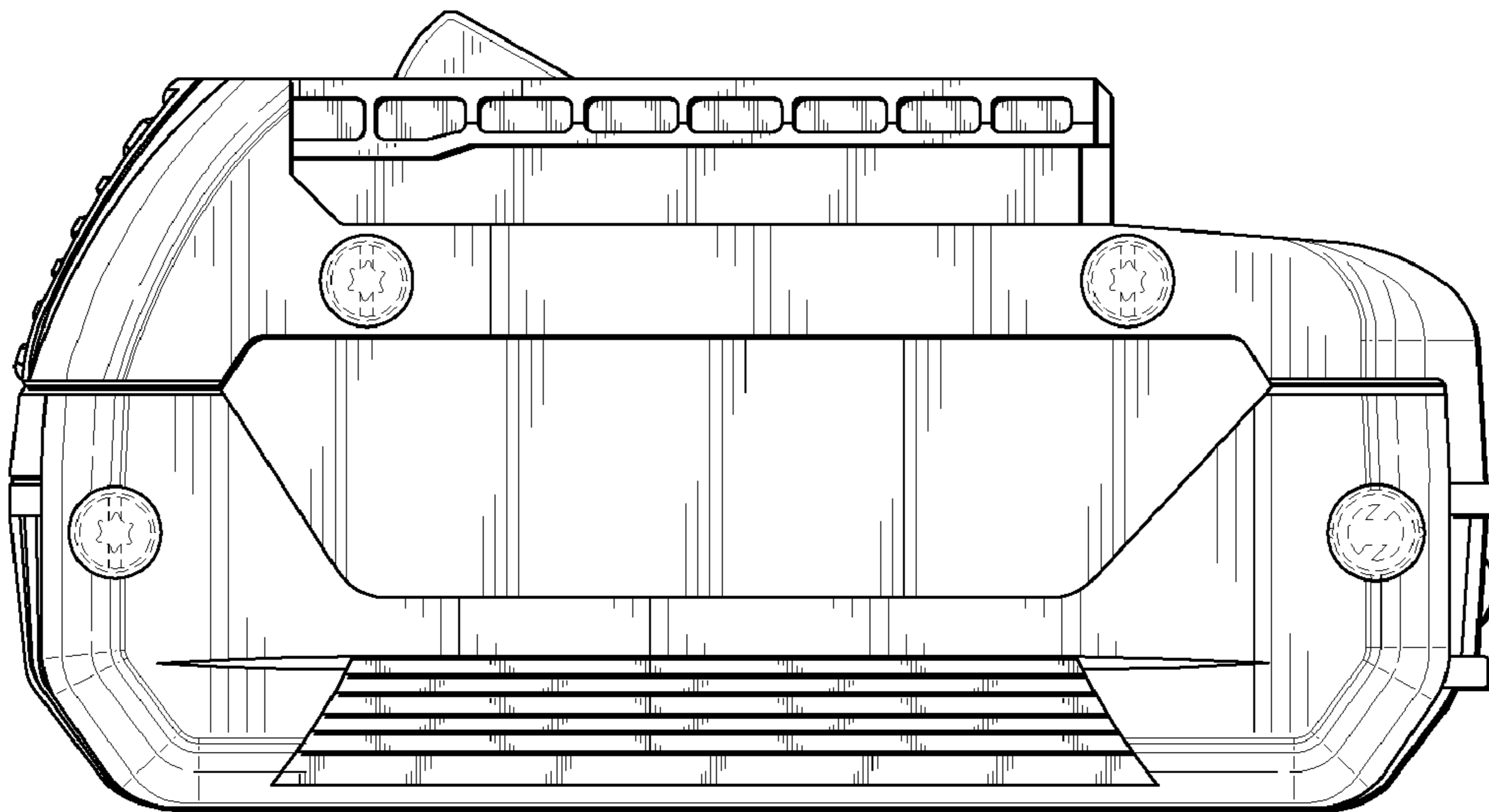


Fig. 3

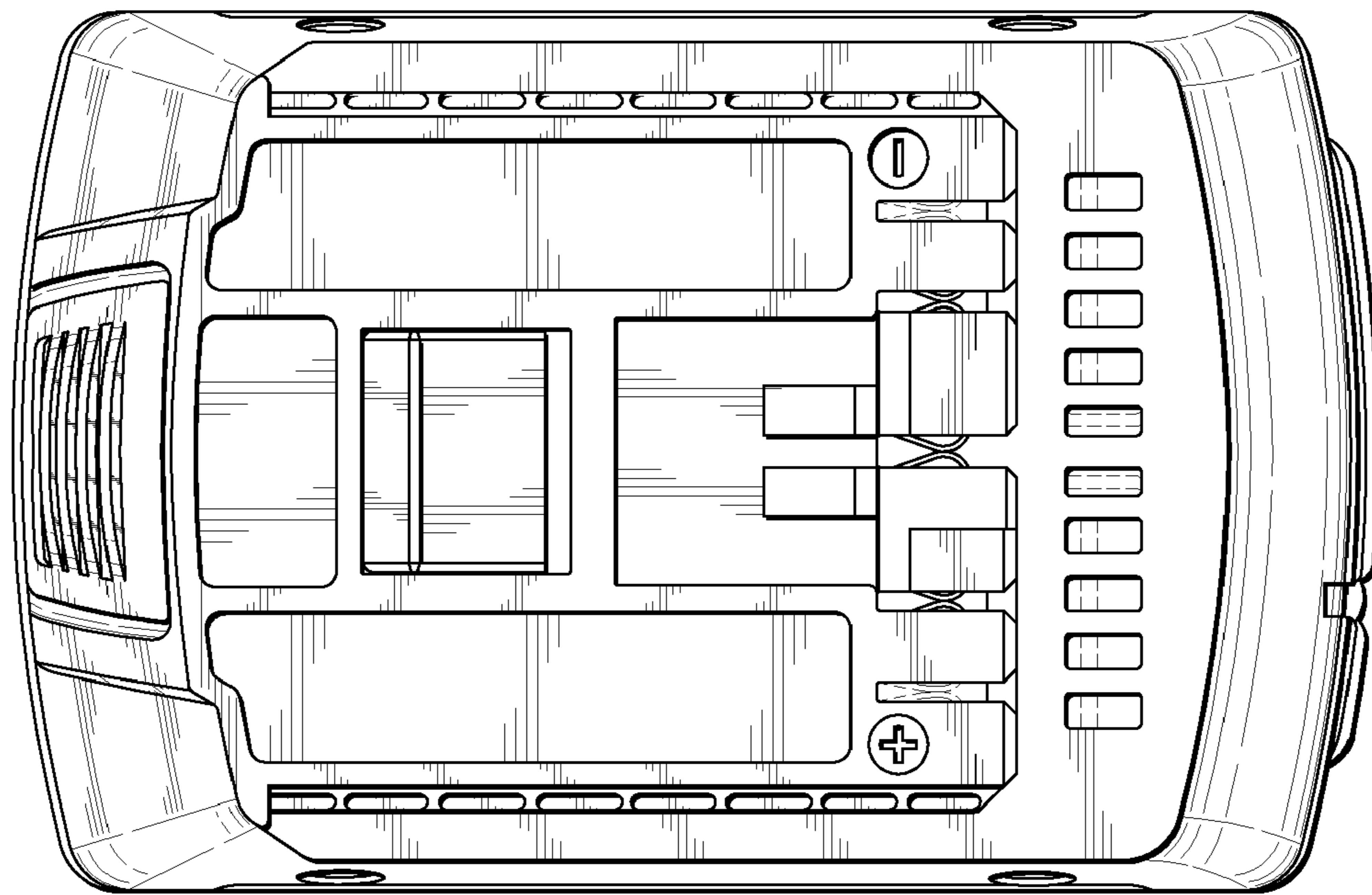


Fig. 4

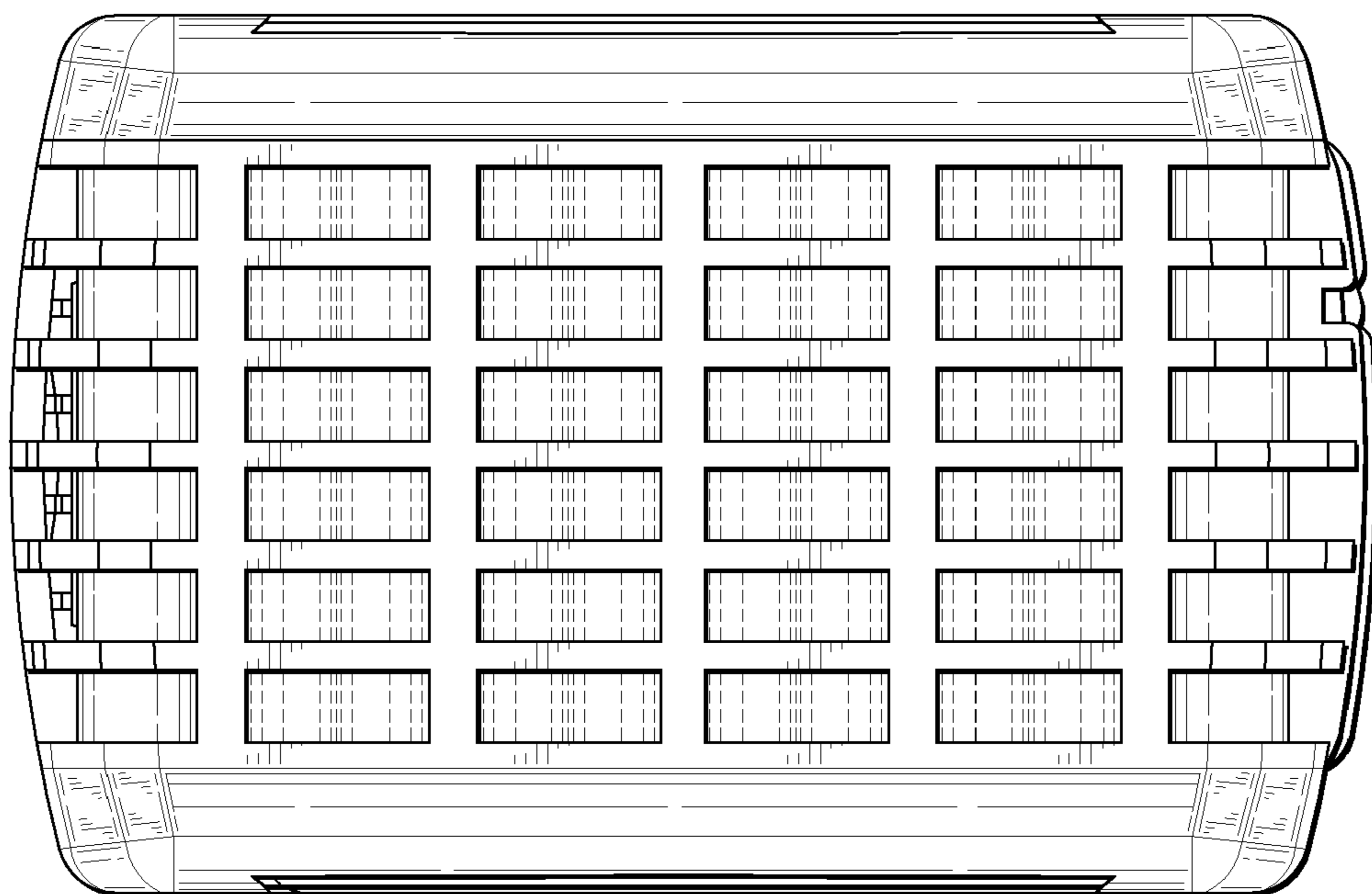


Fig. 5

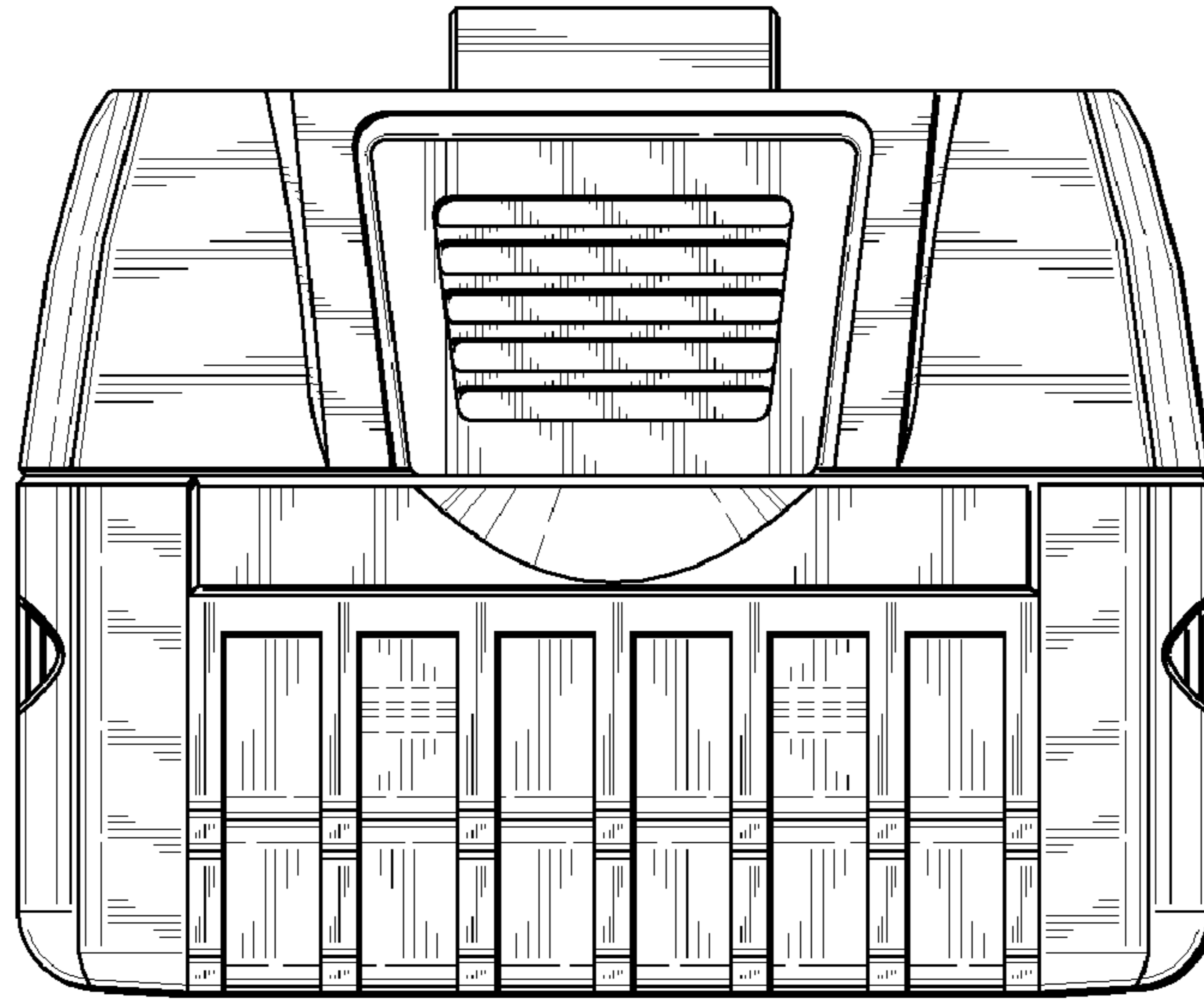


Fig. 6

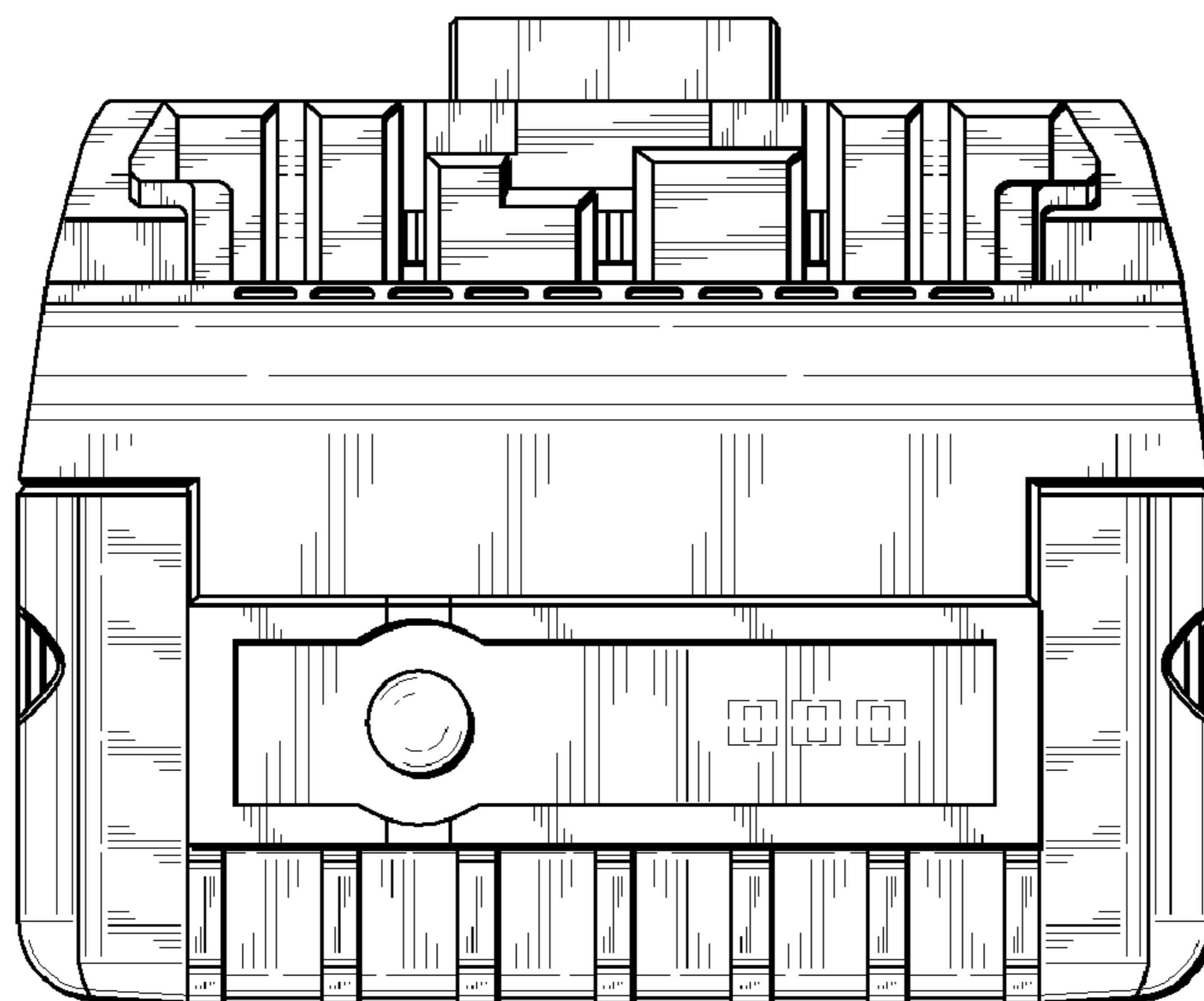


Fig. 7