



US00D597930S

(12) **United States Design Patent**  
**Kato**

(10) **Patent No.:** **US D597,930 S**  
(45) **Date of Patent:** **\*\* Aug. 11, 2009**

(54) **SOLAR BATTERY PANEL WITH REFLECTION MIRRORS**

(75) Inventor: **Yuichi Kato**, Tokyo (JP)

(73) Assignee: **Ryokushu Co. Ltd.** (JP)

(\*\*) Term: **14 Years**

(21) Appl. No.: **29/334,422**

(22) Filed: **Mar. 26, 2009**

(30) **Foreign Application Priority Data**

Sep. 30, 2008 (JP) ..... 2008-024990

(51) **LOC (9) Cl.** ..... **13-02**

(52) **U.S. Cl.** ..... **D13/102**

(58) **Field of Classification Search** ..... D13/102,  
D13/101, 103, 184, 199; 126/569, 571; 136/206,  
136/244–251, 256, 291, 292; 359/838, 839,  
359/871

See application file for complete search history.

(56) **References Cited**

**U.S. PATENT DOCUMENTS**

3,232,795	A *	2/1966	Snyder et al.	.....	136/246
D262,307	S *	12/1981	Parlato	.....	D13/102
5,520,747	A *	5/1996	Marks	.....	136/245
6,188,012	B1 *	2/2001	Ralph	.....	136/246
D448,722	S *	10/2001	Drummond	.....	D13/102
6,528,716	B2 *	3/2003	Collette et al.	.....	136/246
D487,884	S *	3/2004	Peress et al.	.....	D13/102
7,077,532	B1 *	7/2006	Diver et al.	.....	359/871
D555,083	S *	11/2007	Sharma et al.	.....	D13/102
7,301,095	B2 *	11/2007	Murphy et al.	.....	136/246

**FOREIGN PATENT DOCUMENTS**

JP	1111045	D	6/2001
JP	1111046	D	6/2001
JP	1111047	D	6/2001
JP	1111075	D	6/2001
JP	1124938	D	10/2001
JP	1124939	D	10/2001

JP	1124940	D	10/2001
JP	1125122	D	10/2001
JP	1125123	D	10/2001
JP	1125124	D	10/2001
JP	1129416	D	12/2001
JP	1129417	D	12/2001
JP	1129418	D	12/2001
JP	1129419	D	12/2001
JP	1129420	D	12/2001
JP	1129421	D	12/2001
JP	1129422	D	12/2001
JP	1129423	D	12/2001
JP	1134374	D	2/2002
JP	1201855	D	4/2004
JP	1295425	D	3/2007
JP	1295426	D	3/2007
JP	1295427	D	3/2007
JP	1295428	D	3/2007
JP	1295429	D	3/2007
JP	1309931	D	9/2007

\* cited by examiner

*Primary Examiner*—Prabhakar Deshmukh

*Assistant Examiner*—Derrick Holland

(74) *Attorney, Agent, or Firm*—Stoel Rives LLP

(57) **CLAIM**

The ornamental design for a solar battery panel with reflection mirrors, as shown and described.

**DESCRIPTION**

FIG. 1 is a front view of a solar battery panel with reflection mirrors showing my new design;

FIG. 2 is a back view thereof;

FIG. 3 is a side view thereof;

FIG. 4 is a top plan view thereof;

FIG. 5 is a perspective view thereof; and,

FIG. 6 is another perspective view thereof, shown in environmental use.

The broken lines shown represent unclaimed subject matter and form no part of the claimed design.

**1 Claim, 3 Drawing Sheets**

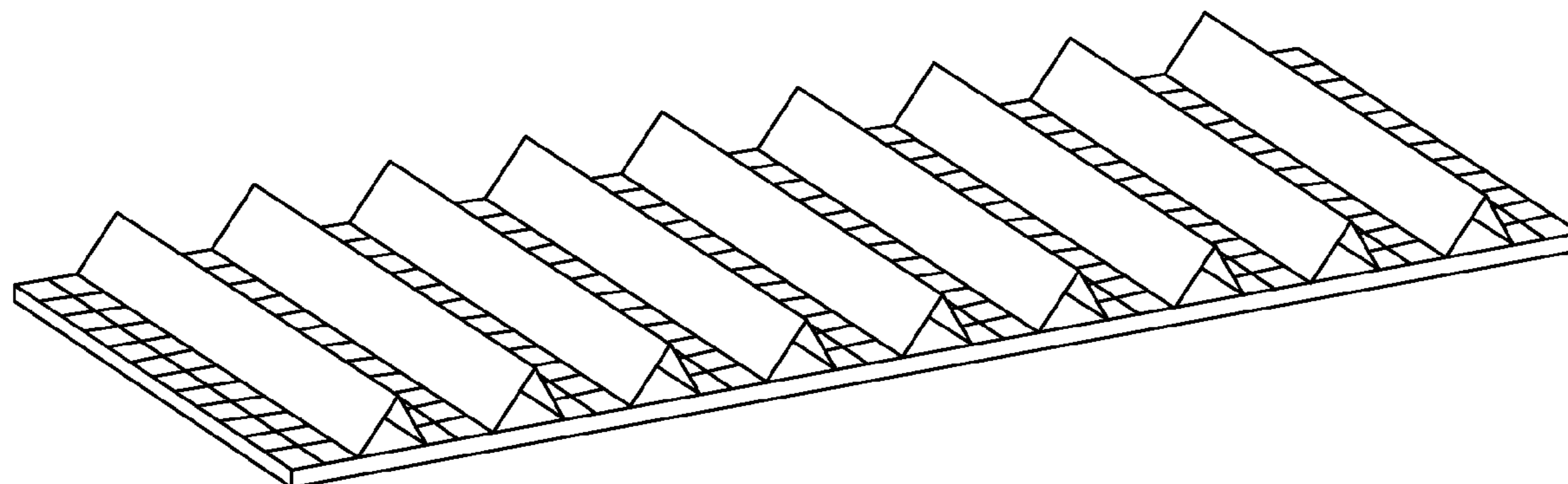


FIG. 1

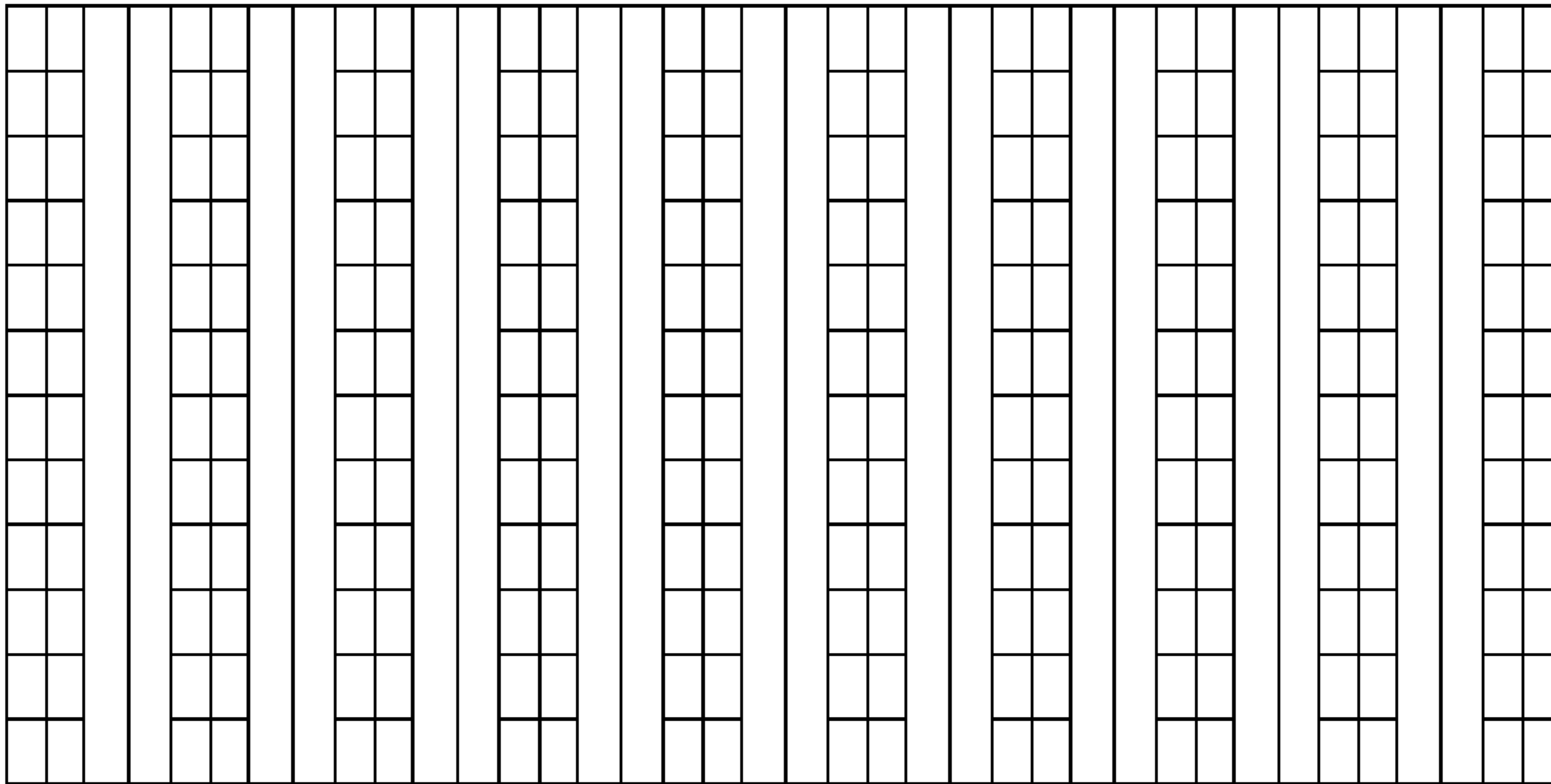


FIG. 2

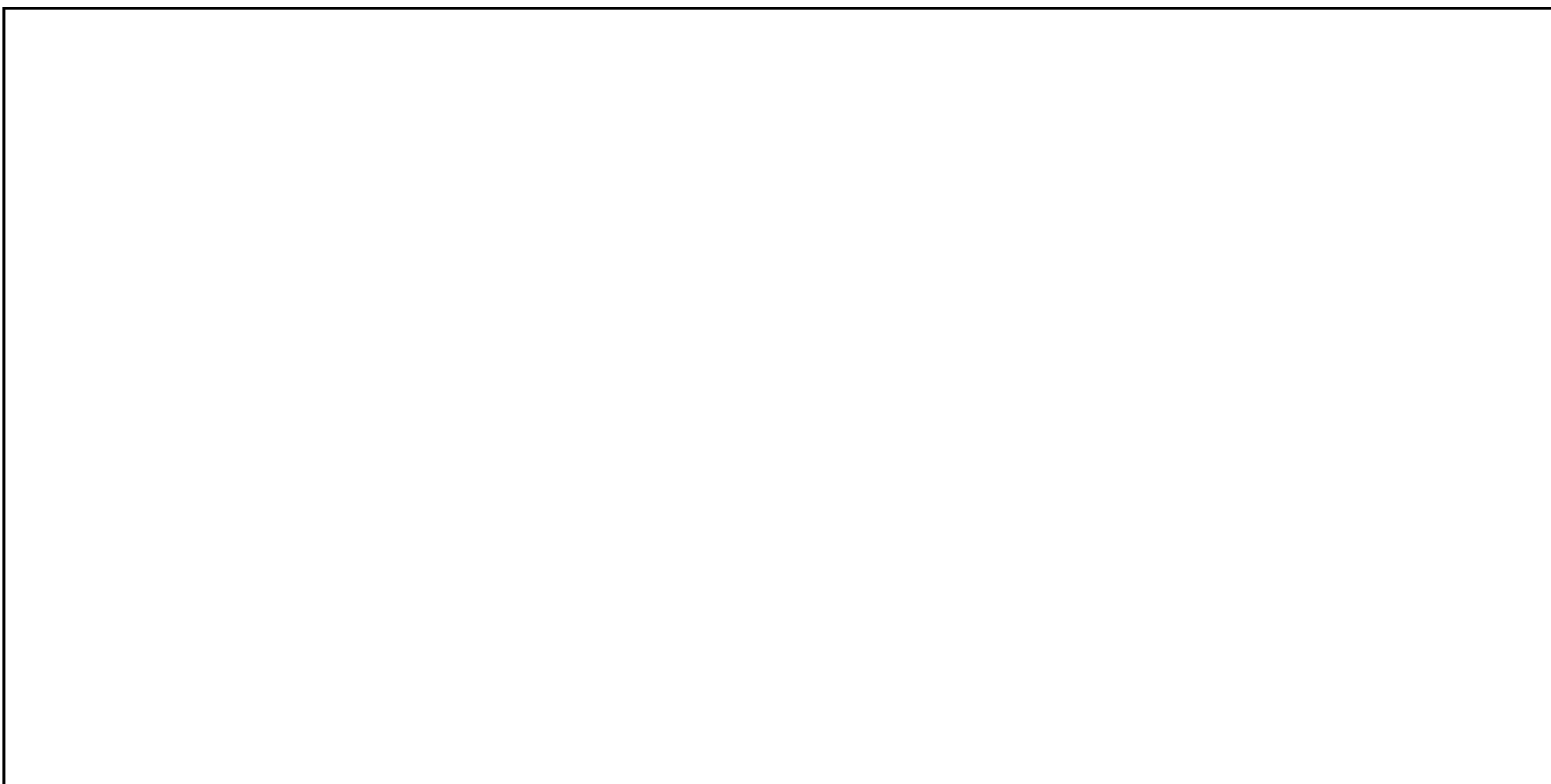


FIG. 3

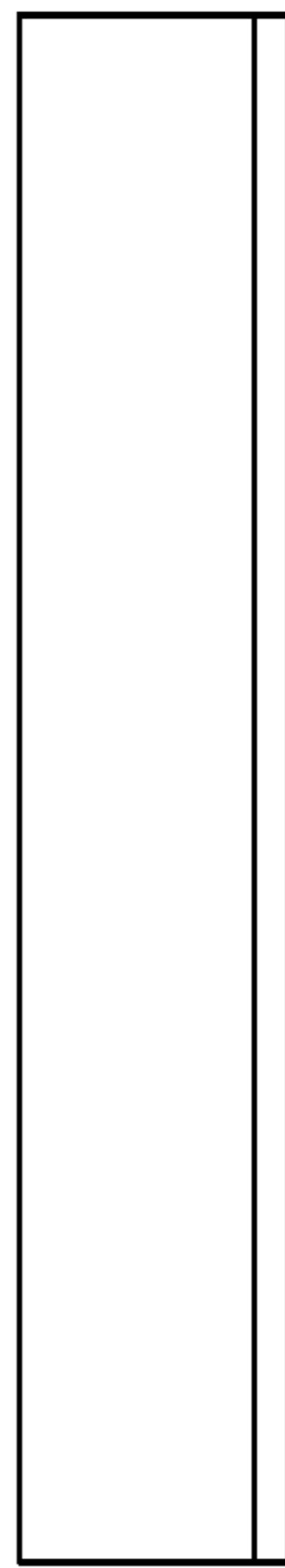


FIG. 4

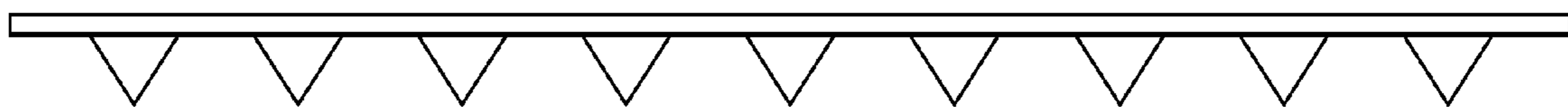


FIG. 5

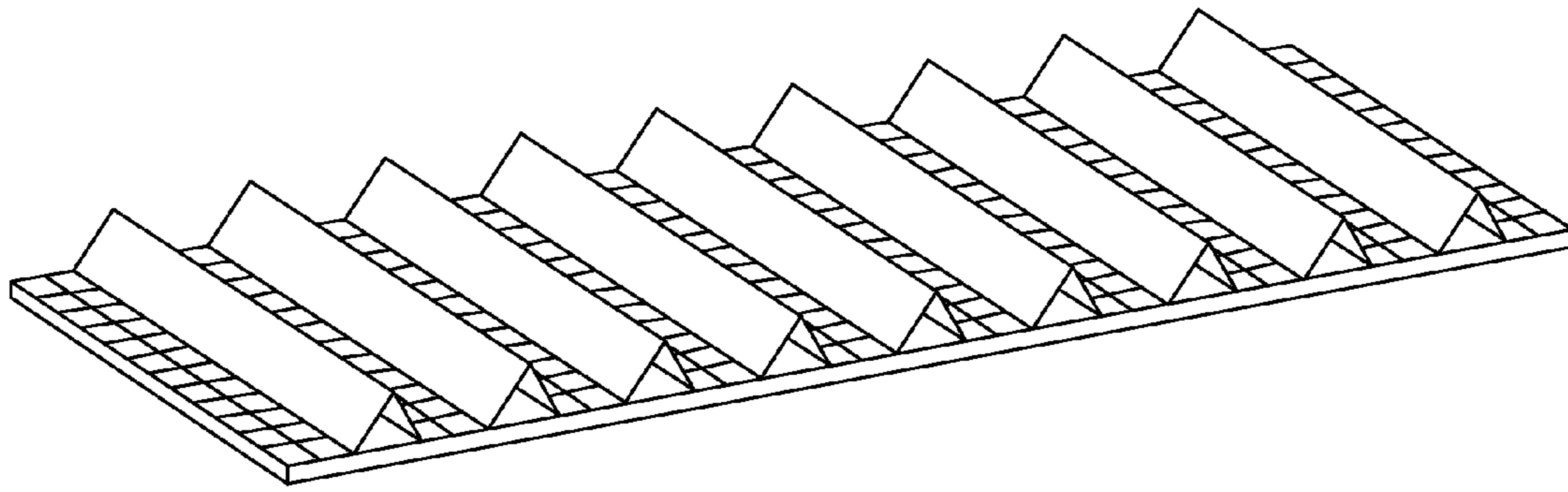


FIG. 6

