



US00D597926S

(12) **United States Design Patent**
Takahashi

(10) **Patent No.:** **US D597,926 S**
(45) **Date of Patent:** **** Aug. 11, 2009**

(54) **TIRE**

(75) Inventor: **Toshihiko Takahashi**, Osaka (JP)

(73) Assignee: **Toyo Tire & Rubber Co., Ltd.**,
Osaka-shi, Osaka (JP)

(**) Term: **14 Years**

(21) Appl. No.: **29/327,369**

(22) Filed: **Nov. 4, 2008**

(30) **Foreign Application Priority Data**

Sep. 10, 2008 (JP) 2008-023247

(51) **LOC (9) Cl.** **12-15**

(52) **U.S. Cl.** **D12/519**

(58) **Field of Classification Search** D12/500,
D12/505, 514-532, 900-901; 152/209.1,
152/209.8-209.18, 209.25, 209.28
See application file for complete search history.

(56) **References Cited**

U.S. PATENT DOCUMENTS

D369,763 S	5/1996	Saeki et al.	
D376,779 S	12/1996	Kuwajima et al.	
D483,005 S *	12/2003	Hirai	D12/519
D515,018 S *	2/2006	Umstot et al.	D12/517
D515,019 S *	2/2006	Umstot et al.	D12/519
D558,125 S	12/2007	Miyabe et al.	
D561,682 S	2/2008	Ohki	
D571,281 S	6/2008	Murata et al.	
D571,282 S	6/2008	Murata et al.	
D582,339 S *	12/2008	Kang	D12/519
D586,724 S *	2/2009	Seibert et al.	D12/519

OTHER PUBLICATIONS

U.S. Appl. No. 29/327,192, Takahashi, Tire, filed Oct. 31, 2008.

U.S. Appl. No. 29/327,606, Ohashi, Tire, filed Nov. 10, 2008.

U.S. Appl. No. 29/327,610, Kaji, Tire, filed Nov. 10, 2008.
U.S. Appl. No. 29/327,622, Osaka, Tire, filed Nov. 10, 2008.
U.S. Appl. No. 29/327,624, Osaka, Tire, filed Nov. 10, 2008.
U.S. Appl. No. 29/327,628, Osaka, Tire, filed Nov. 10, 2008.
U.S. Appl. No. 29/329,515, Ohashi, Tire, filed Dec. 16, 2008.
U.S. Appl. No. 29/329,517, Ohara, Tire, filed Dec. 16, 2008.
U.S. Appl. No. 29/329,518, Miyazaki, Tire, filed Dec. 16, 2008.
U.S. Appl. No. 29/329,519, Ohashi, Tire, filed Dec. 16, 2008.

* cited by examiner

Primary Examiner—Stacia Cadmus

(74) *Attorney, Agent, or Firm*—Sterne Kessler Goldstein & Fox PLLC

(57) **CLAIM**

The ornamental design for a tire, as shown and described.

DESCRIPTION

FIG. 1 is a perspective view of a tire showing my new design;

FIG. 2 is a front view thereof;

FIG. 3 is a rear view thereof;

FIG. 4 is a top plan view thereof;

FIG. 5 is a bottom plan view thereof;

FIG. 6 is a left side view thereof;

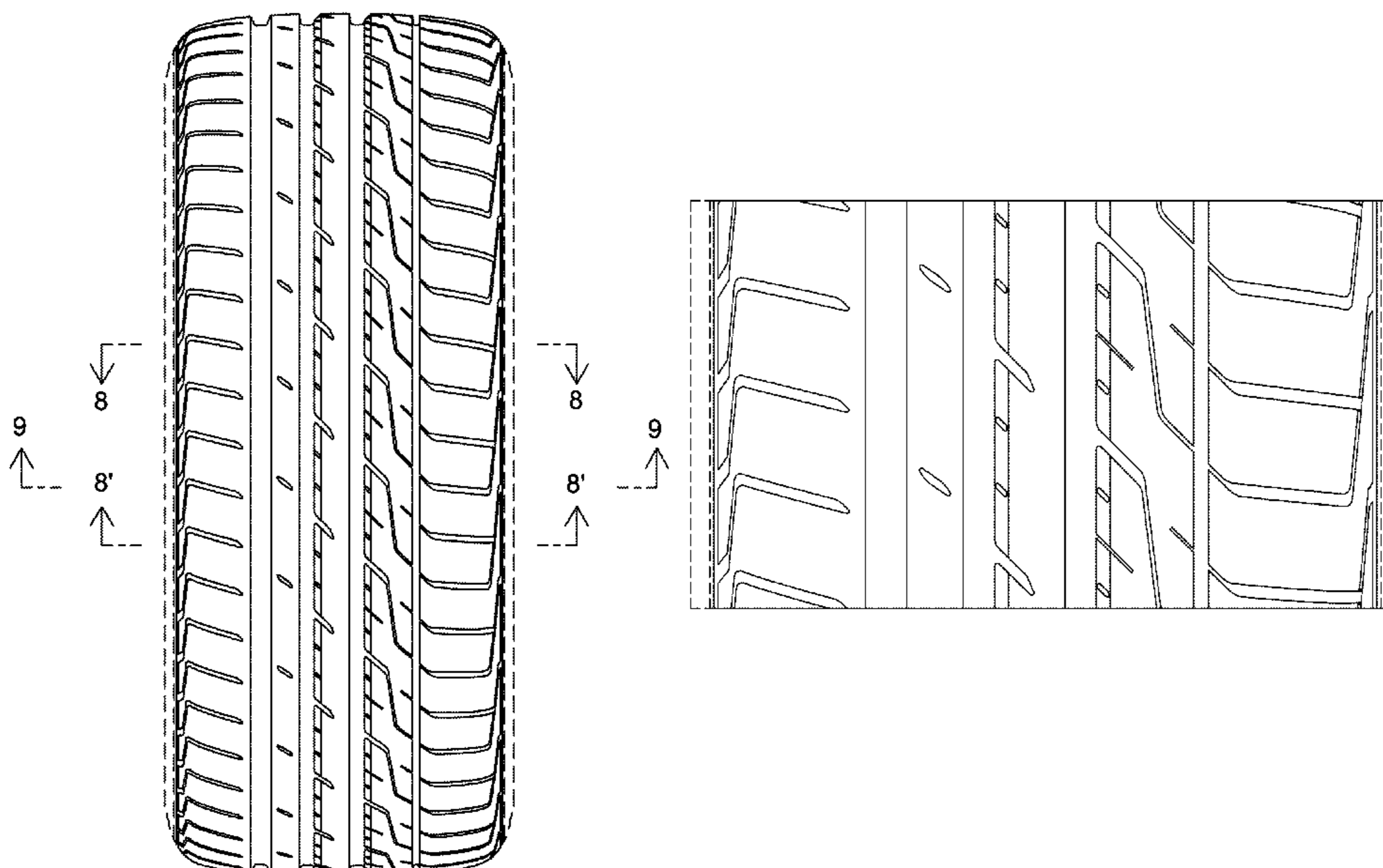
FIG. 7 is a right side view thereof;

FIG. 8 is an enlarged sectional view of the intersection of areas 8—8 and 8'—8' in FIG. 2; and,

FIG. 9 is a cross-sectional view taken along line 9—9 in FIG. 2 and along line 9'—9' in FIG. 7.

In the drawings, the broken lines defining the sidewall, inner bead and the peripheral boundary between the claimed tire tread and the unclaimed sidewall depict environmental subject matter that forms no part of the claimed design.

1 Claim, 8 Drawing Sheets



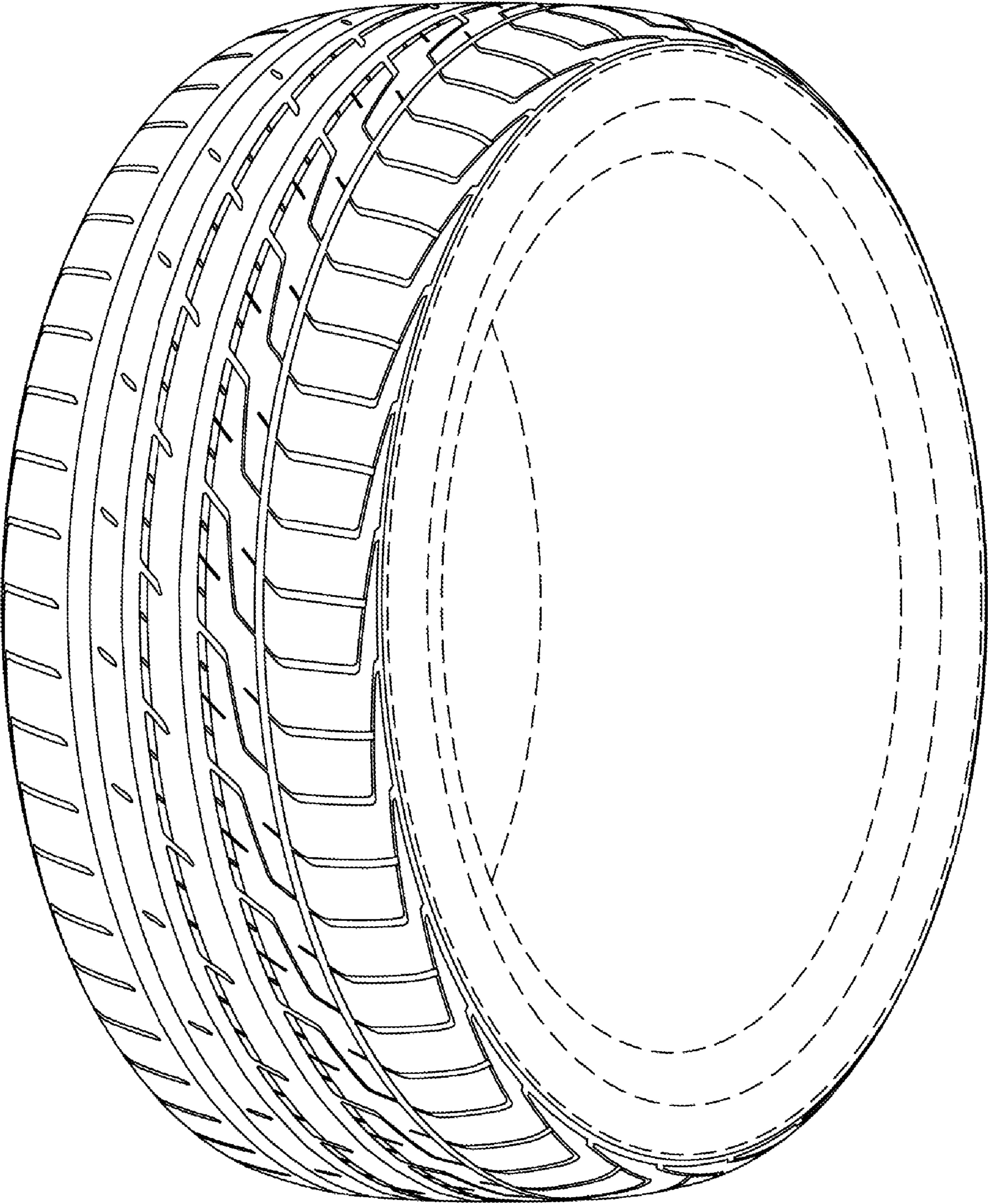


FIG. 1

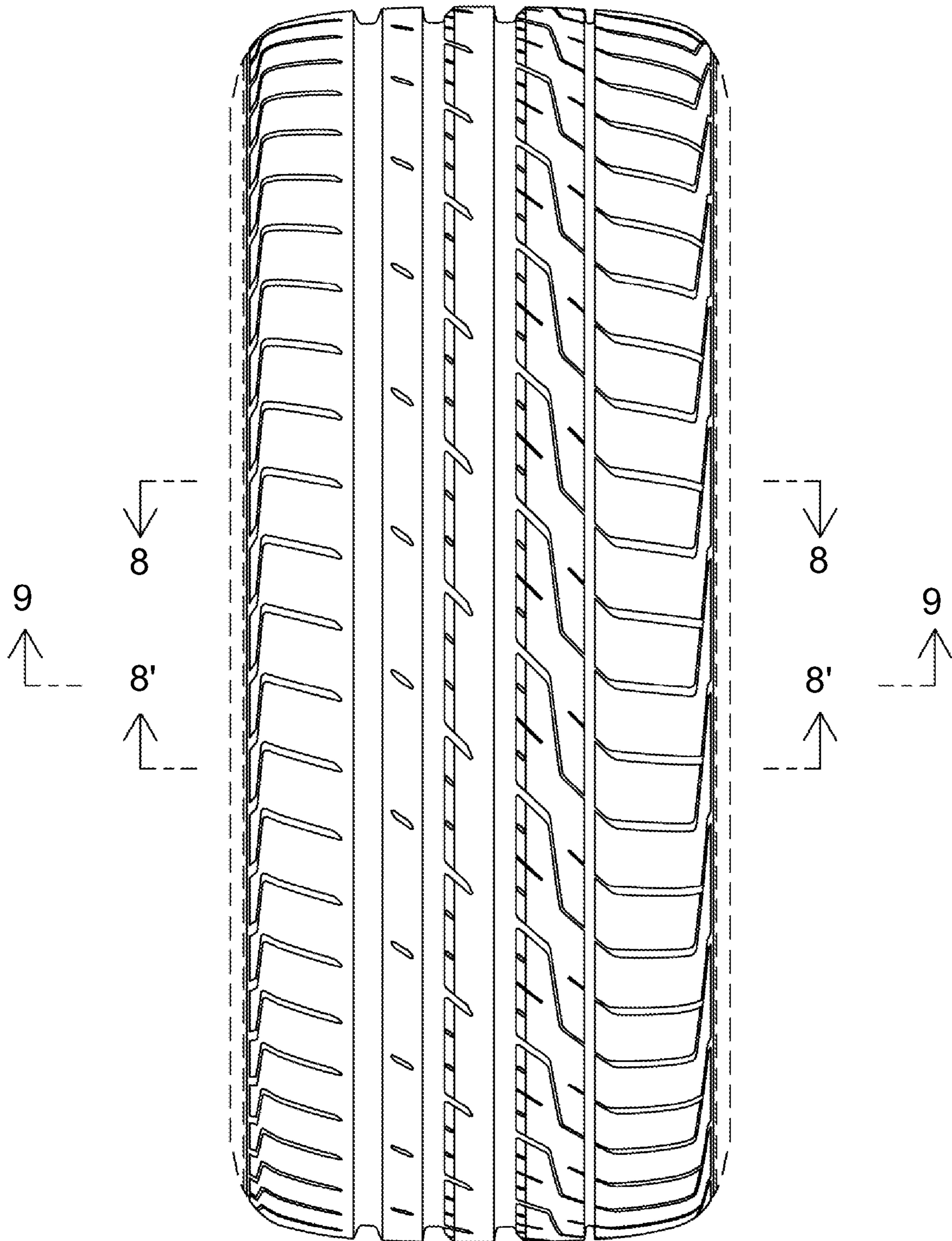


FIG. 2

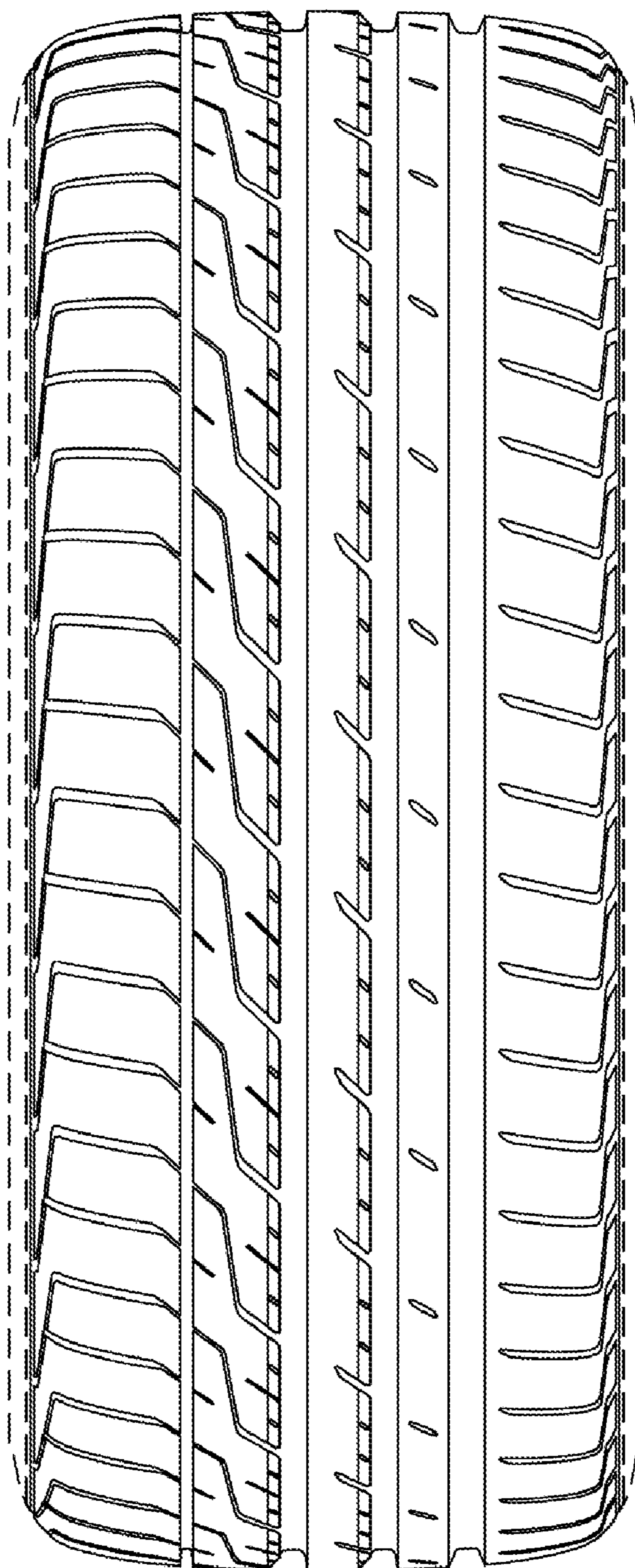


FIG. 3

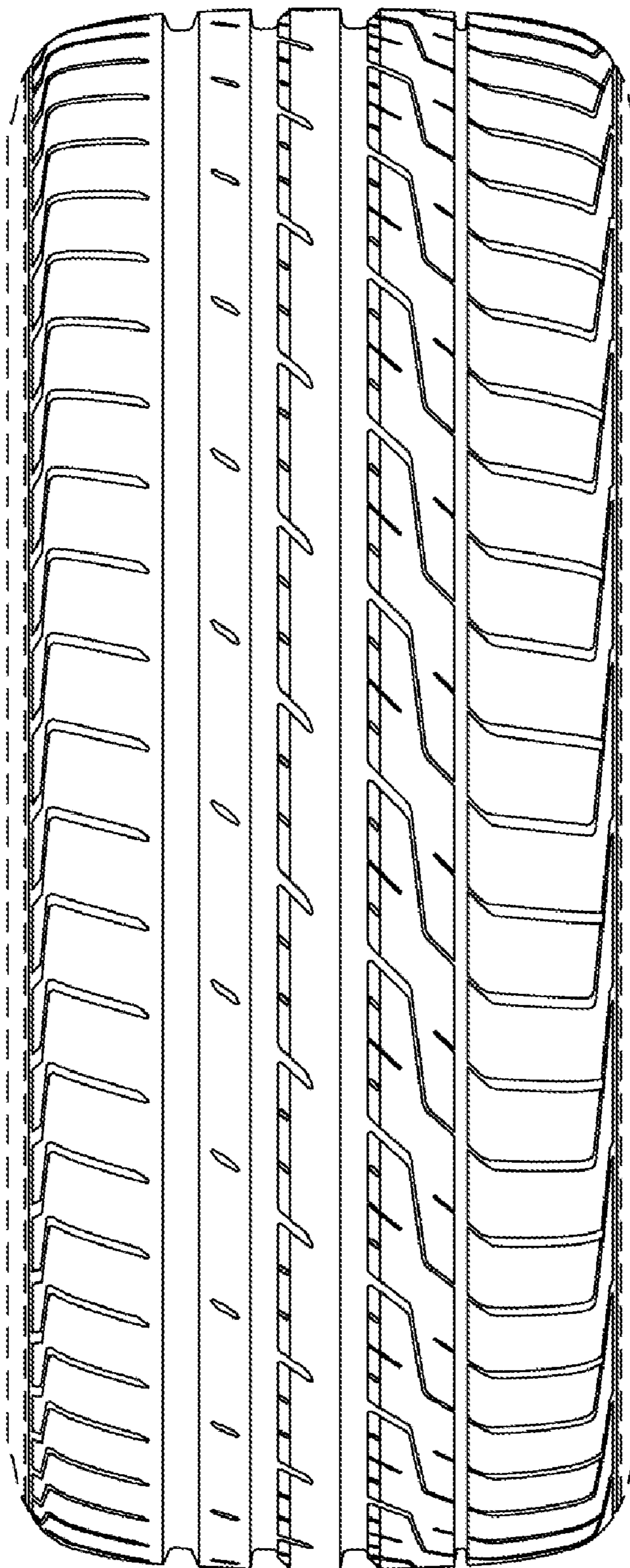


FIG. 4

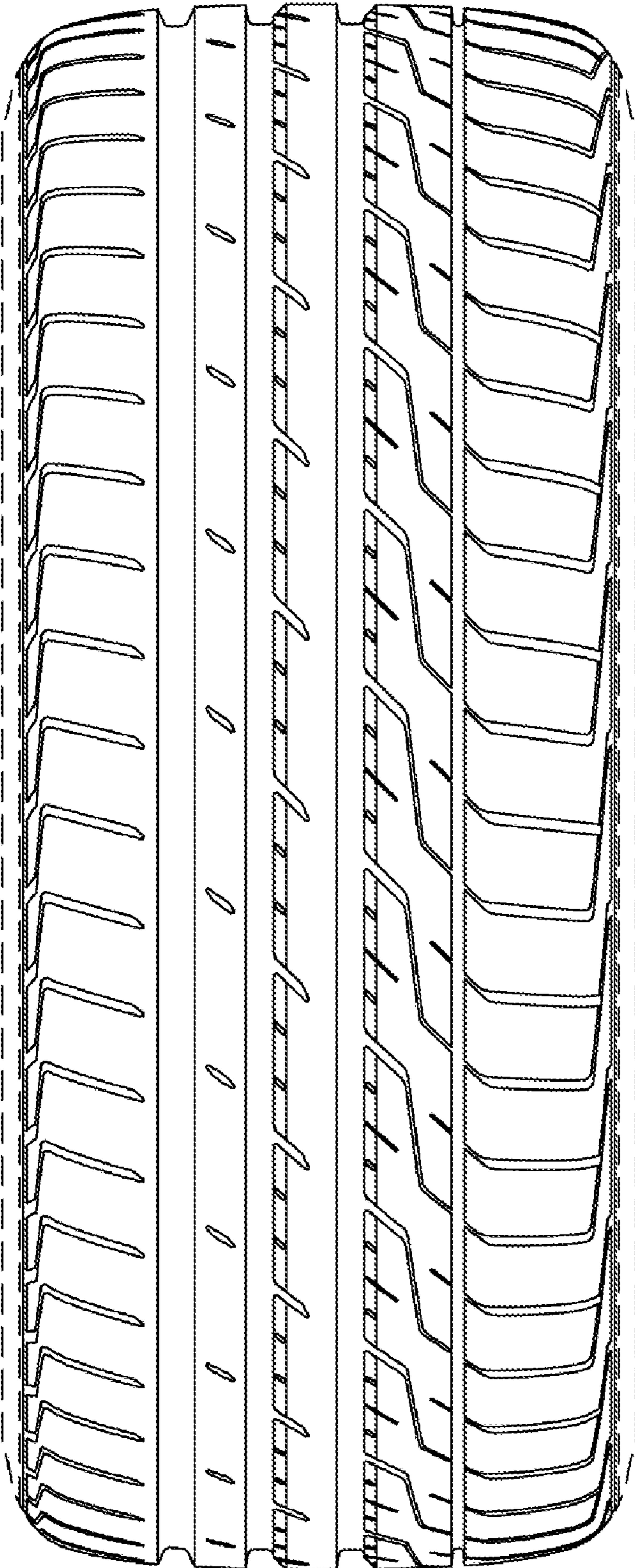


FIG. 5

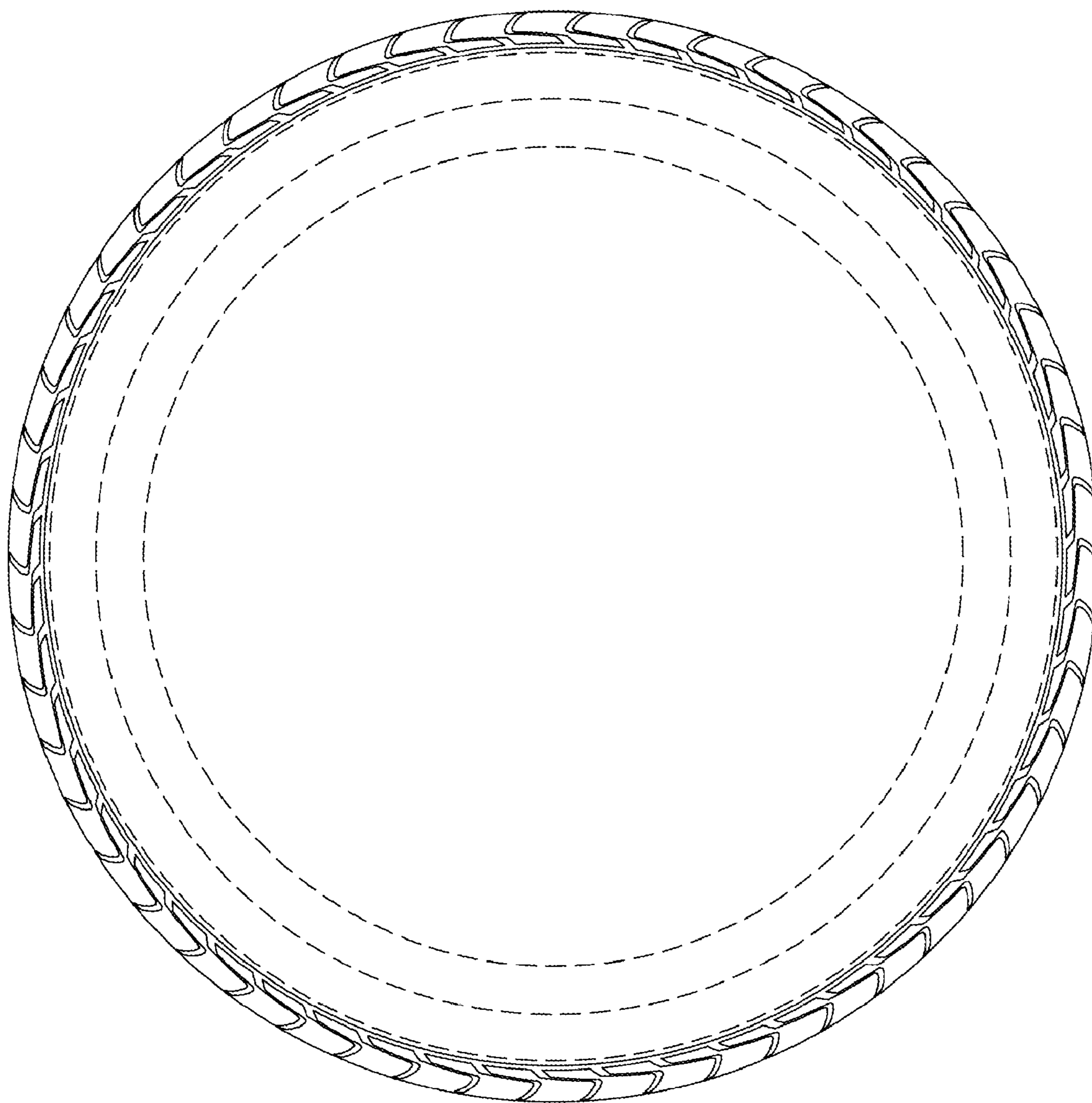


FIG. 6

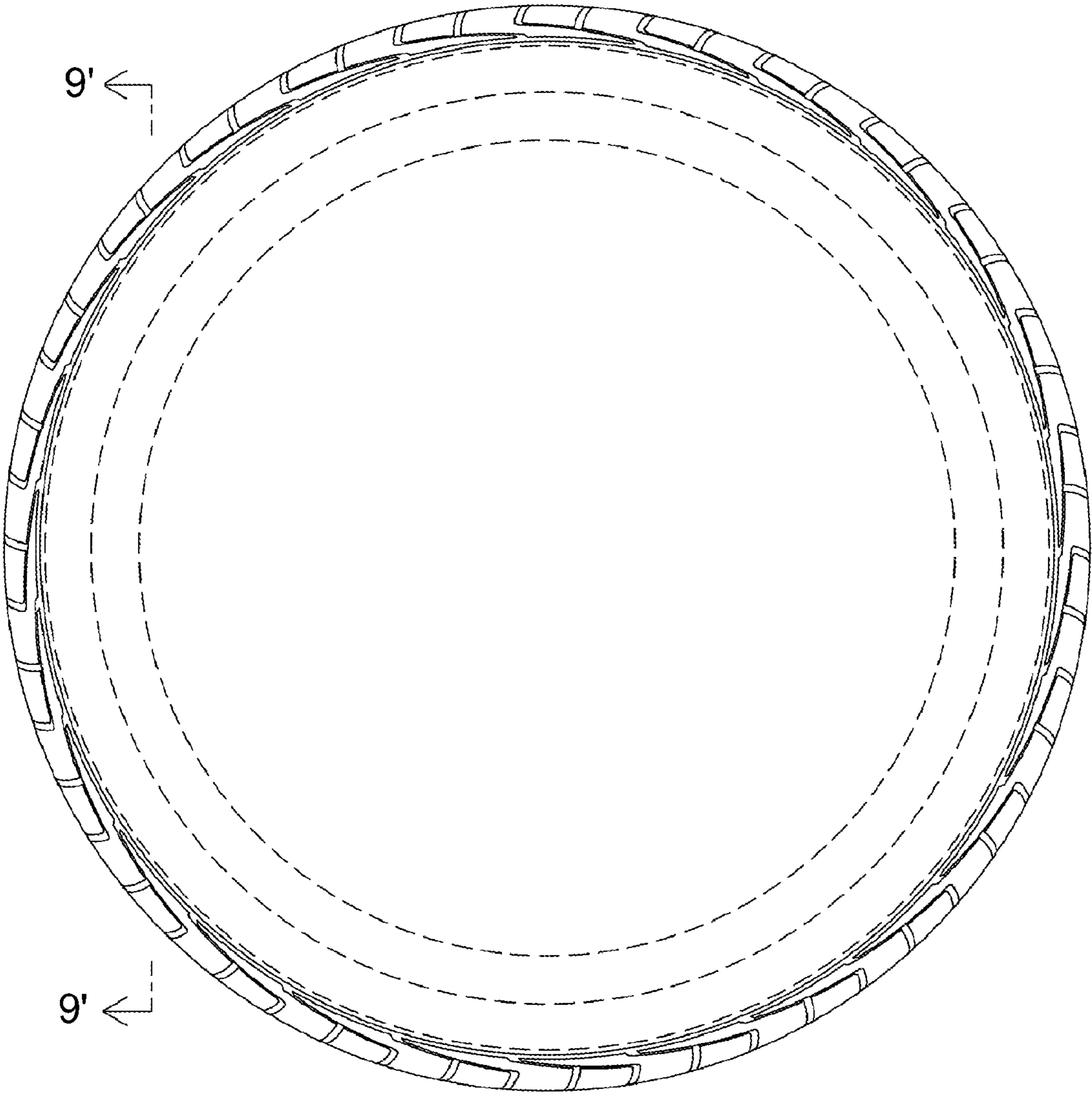


FIG. 7

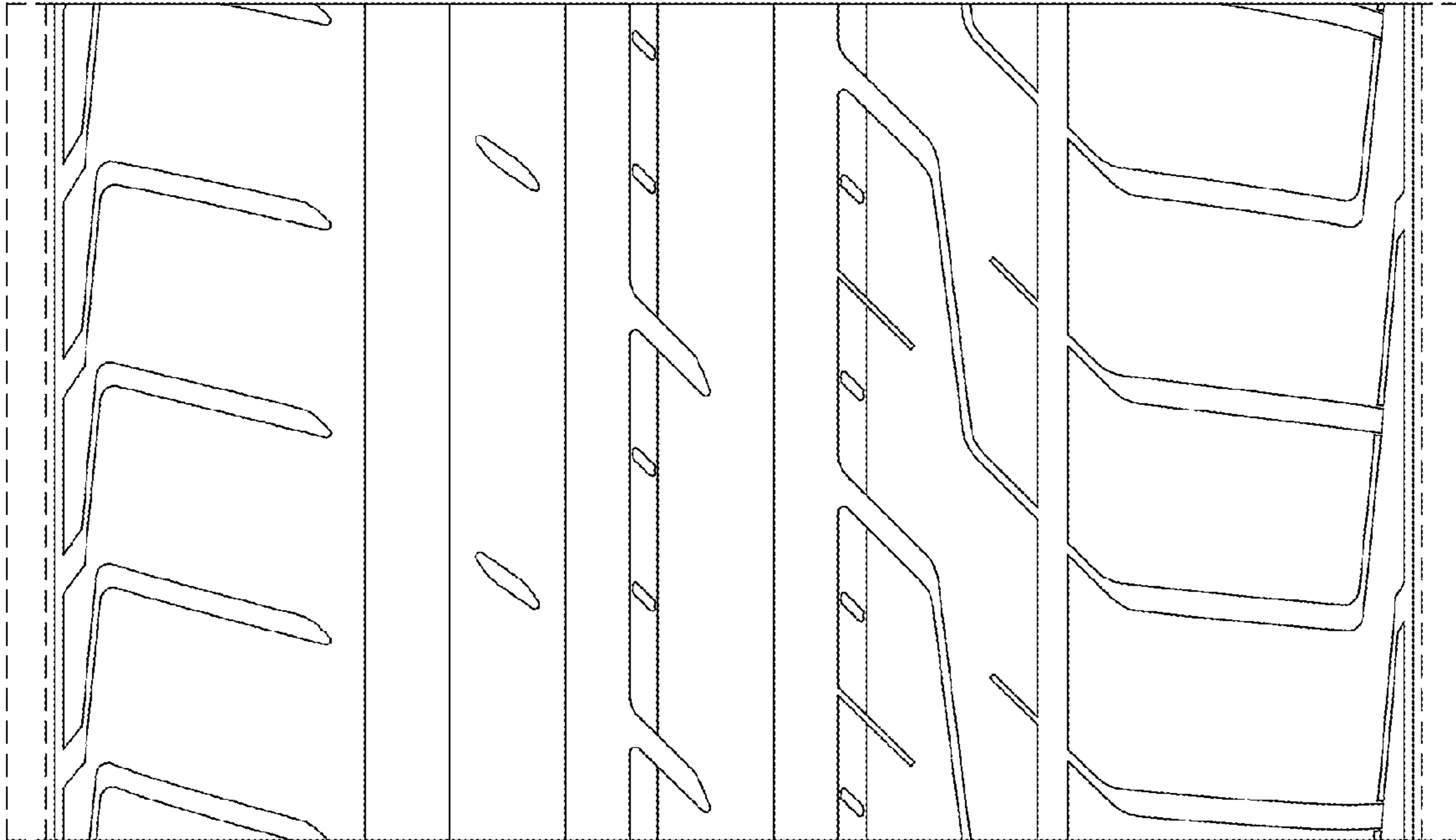


FIG. 8

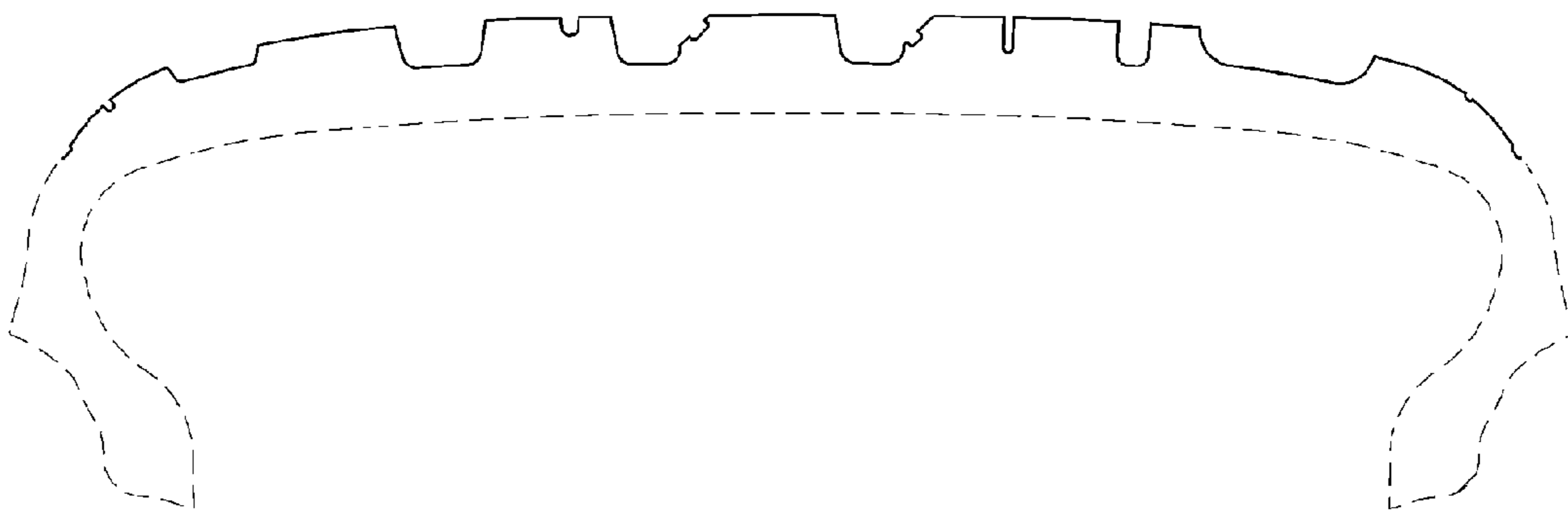


FIG. 9