



US00D597923S

(12) **United States Design Patent**  
**Uotila**

(10) **Patent No.:** **US D597,923 S**

(45) **Date of Patent:** **\*\* Aug. 11, 2009**

(54) **SAFETY NET**

(75) Inventor: **Jarmo Uotila**, Lepsämä (FI)

(73) Assignee: **A-Laskuvarjo Oy**, Klaukkala (FI)

(\*\*) Term: **14 Years**

(21) Appl. No.: **29/262,583**

(22) Filed: **Jul. 7, 2006**

(30) **Foreign Application Priority Data**

Jan. 19, 2006 (FI) ..... M20060017

(51) **LOC (9) Cl.** ..... **12-07**

(52) **U.S. Cl.** ..... **D12/345**

(58) **Field of Classification Search** ..... D12/345;  
D21/200, 701, 703, 705, 706, 714, 780, 781,  
D21/790, 791, 699, 698, 305; D25/53; D15/79-87,  
D15/89-91; 62/246-252, 371, 444, 445,  
62/457.1, 457.3, 457.9; 182/137-140; 49/26  
See application file for complete search history.

(56) **References Cited**

**U.S. PATENT DOCUMENTS**

- 356,380 A \* 1/1887 Henderson ..... 211/88.04
- 356,644 A \* 1/1887 Reinklou ..... 137/53
- 374,877 A \* 12/1887 Thomas ..... 294/17
- 398,090 A \* 2/1889 Busby, Sr. .... 140/46
- 3,169,781 A \* 2/1965 Abruzzino ..... 280/749

- 4,667,902 A \* 5/1987 Zenobi ..... 244/122 A
- 4,838,382 A \* 6/1989 Nusbaum ..... 182/138
- 5,031,862 A \* 7/1991 Rhodes ..... 244/121
- D479,078 S \* 9/2003 Chen ..... D6/580
- D495,056 S \* 8/2004 Watanabe ..... D24/189
- 7,048,319 B2 \* 5/2006 Ament et al. .... 296/37.16

\* cited by examiner

*Primary Examiner*—Cathron C. Brooks

*Assistant Examiner*—Maurice Stevens

(74) *Attorney, Agent, or Firm*—Venable LLP; Eric J. Franklin

(57) **CLAIM**

The ornamental design for a safety net, as shown and described.

**DESCRIPTION**

FIG. 1 represents an overhead view of the safety net, showing my new design;

FIG. 2 represents a close-up view showing a portion thereof;

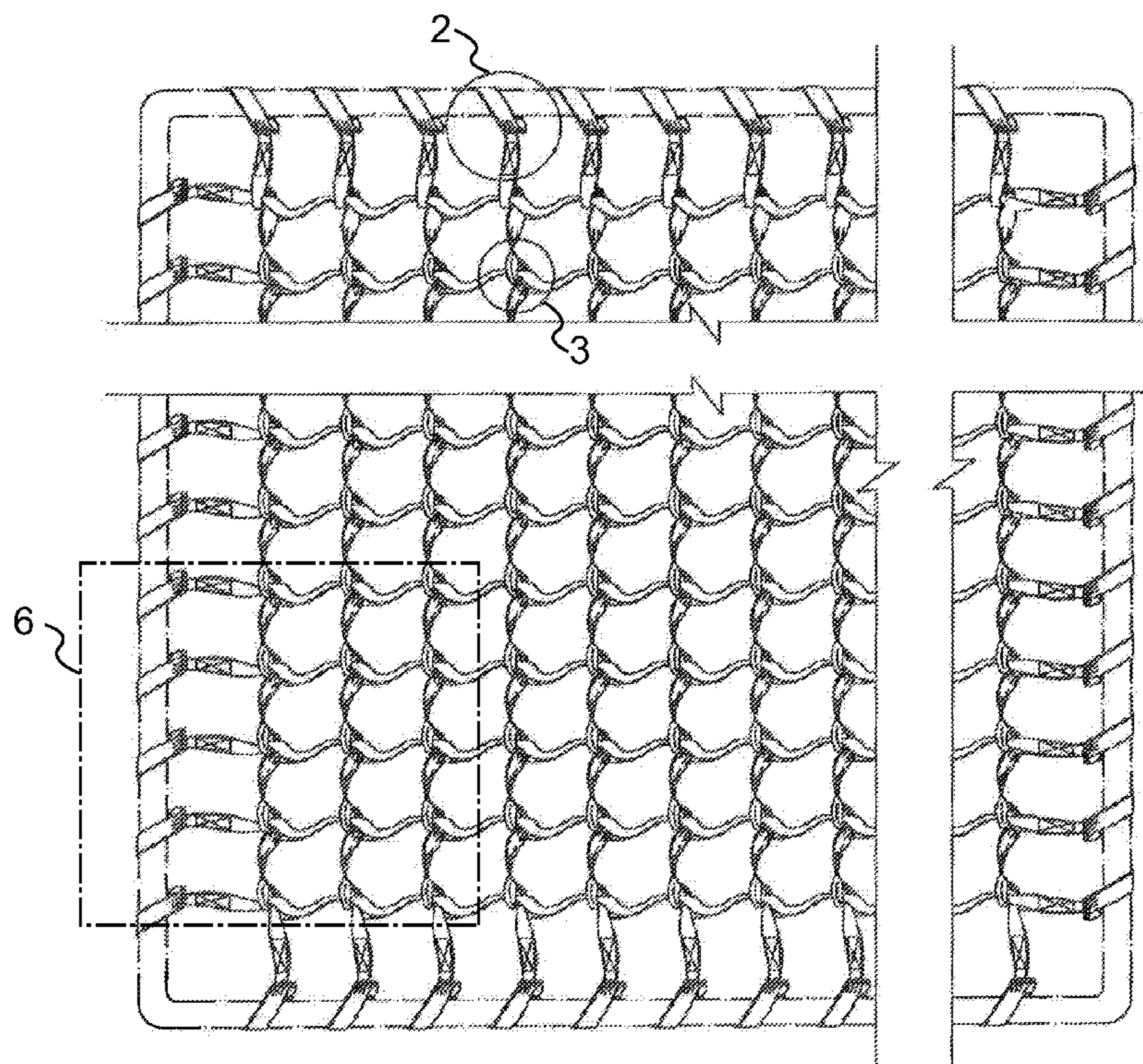
FIG. 3 represents a close-up view showing another portion thereof;

FIG. 4 represents a close-up view of a portion of a single chord thereof; and,

FIG. 5 represents a close-up view of a portion thereof.

The design is shown broken away along its length and width in FIG. 1 to indicate that no specific length is claimed.

**1 Claim, 4 Drawing Sheets**



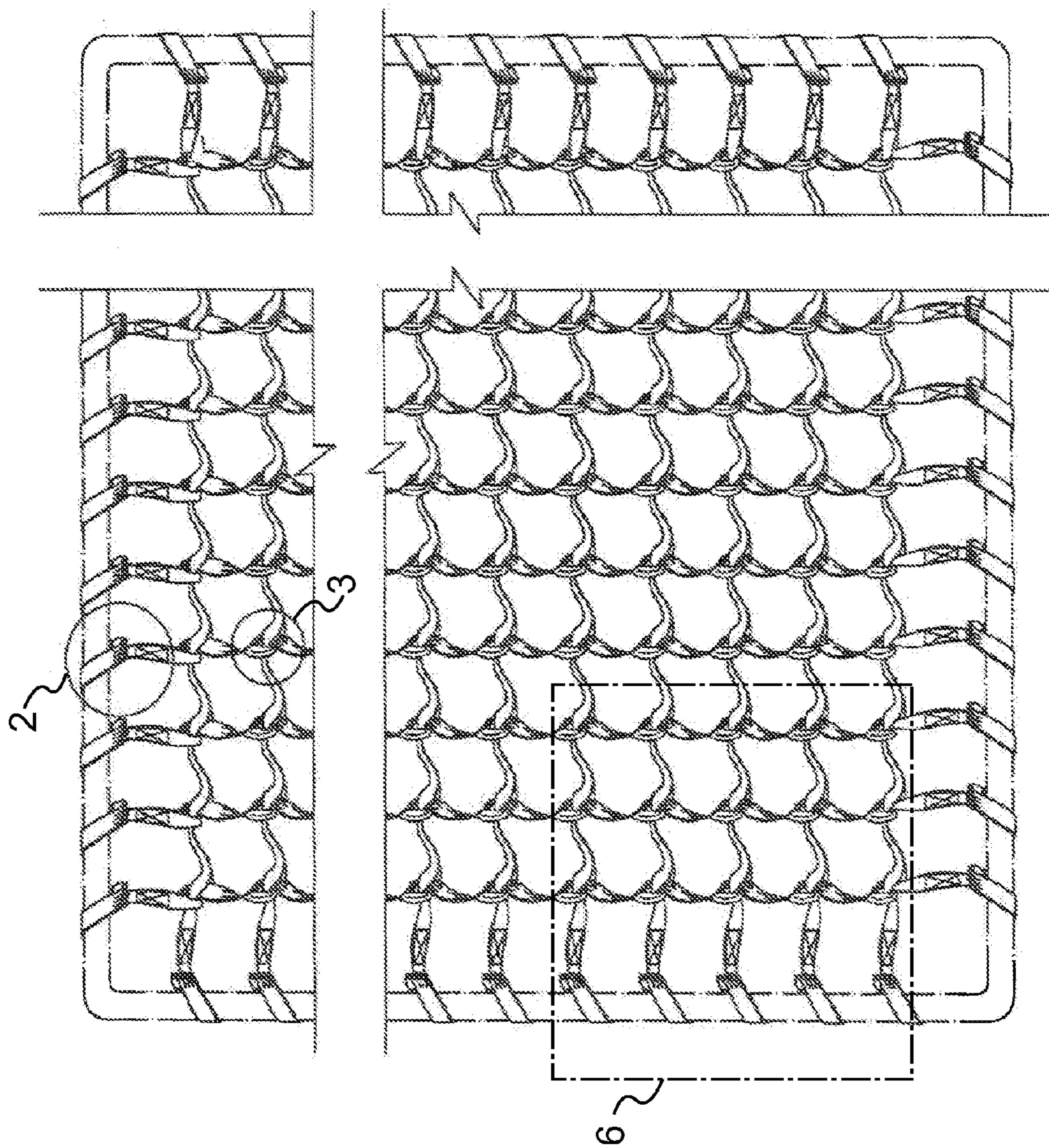
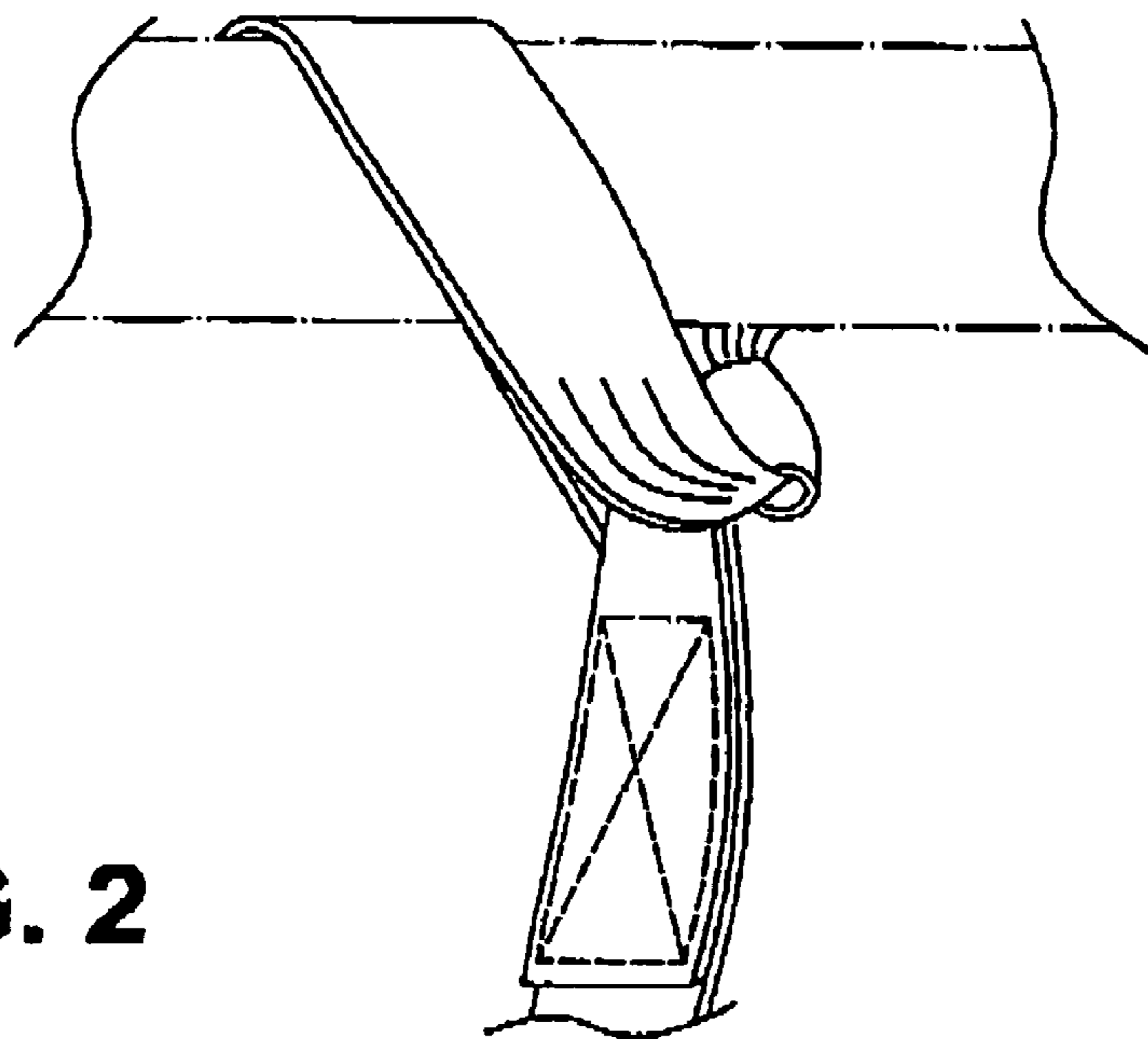
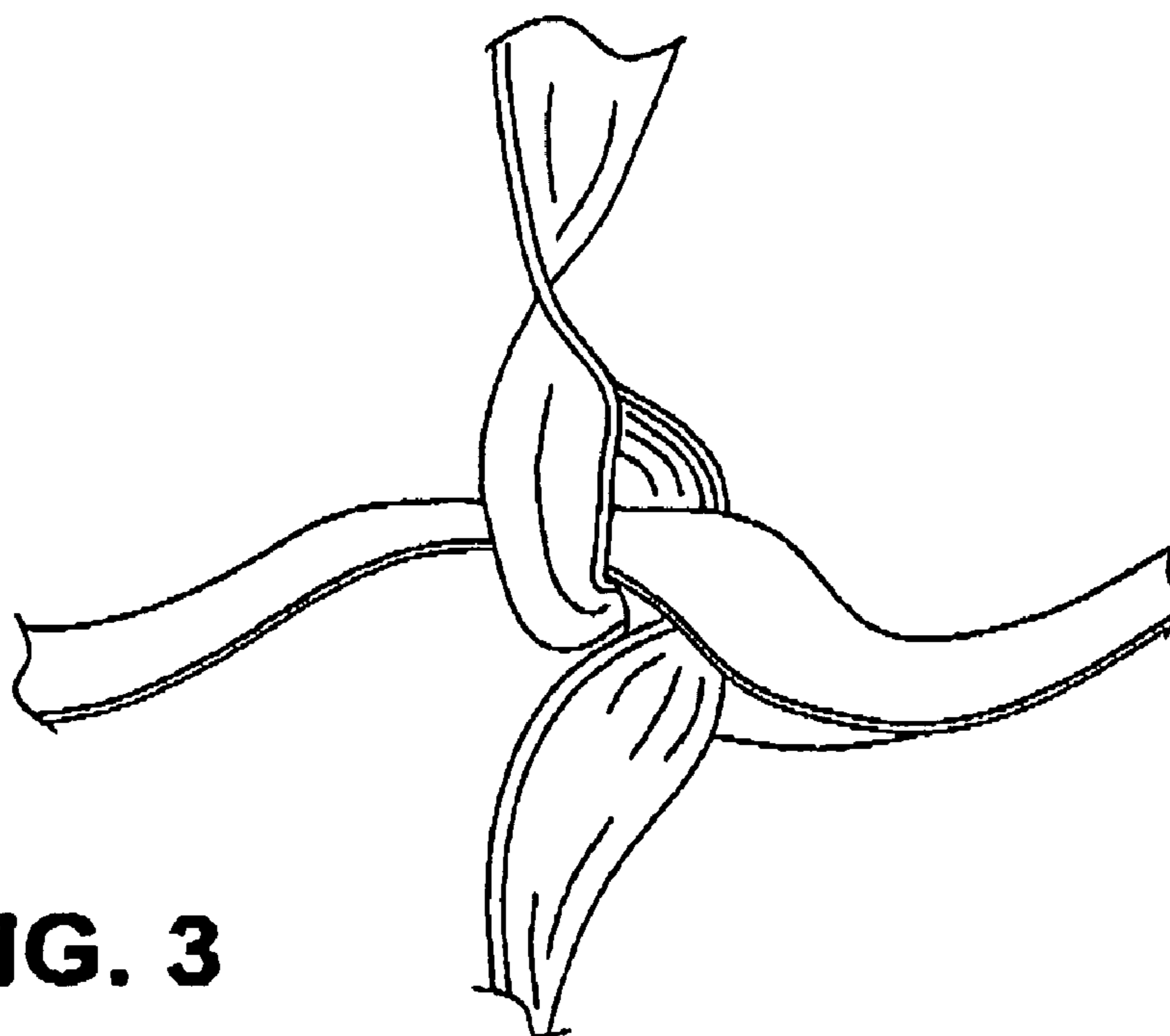


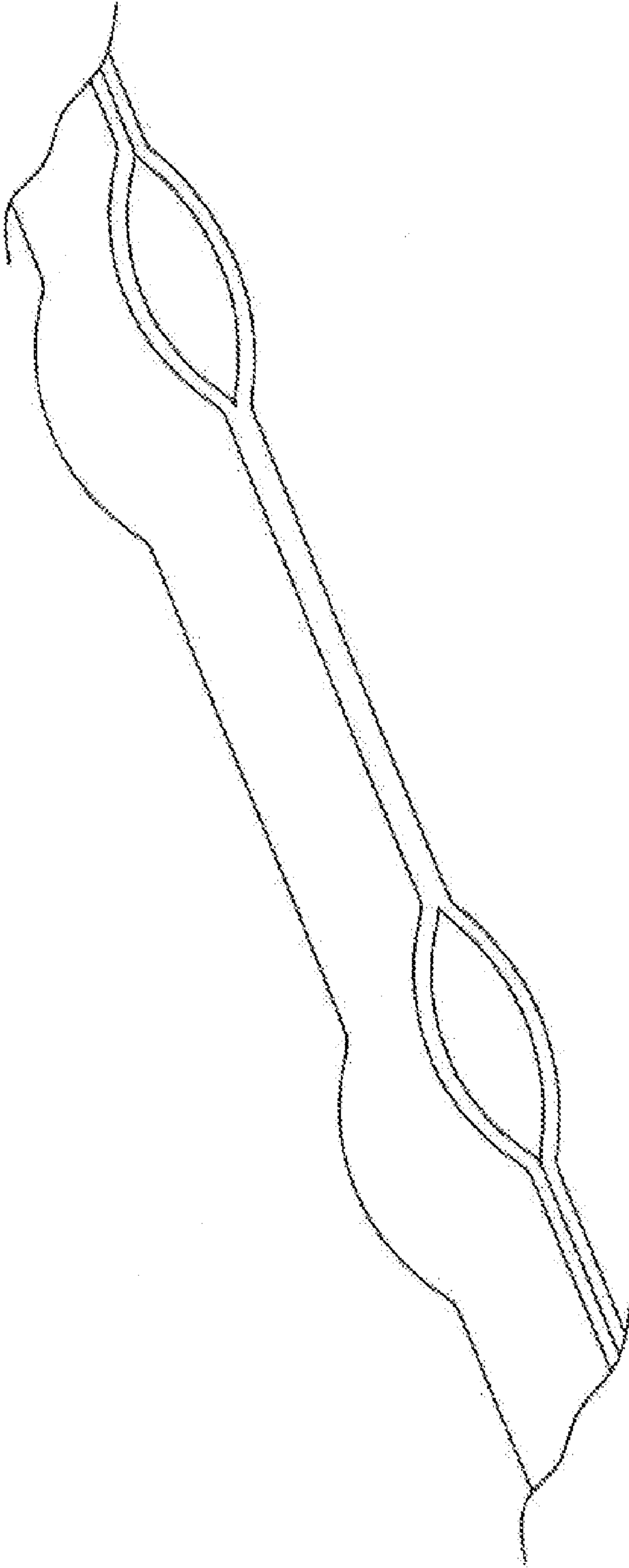
FIG. 1



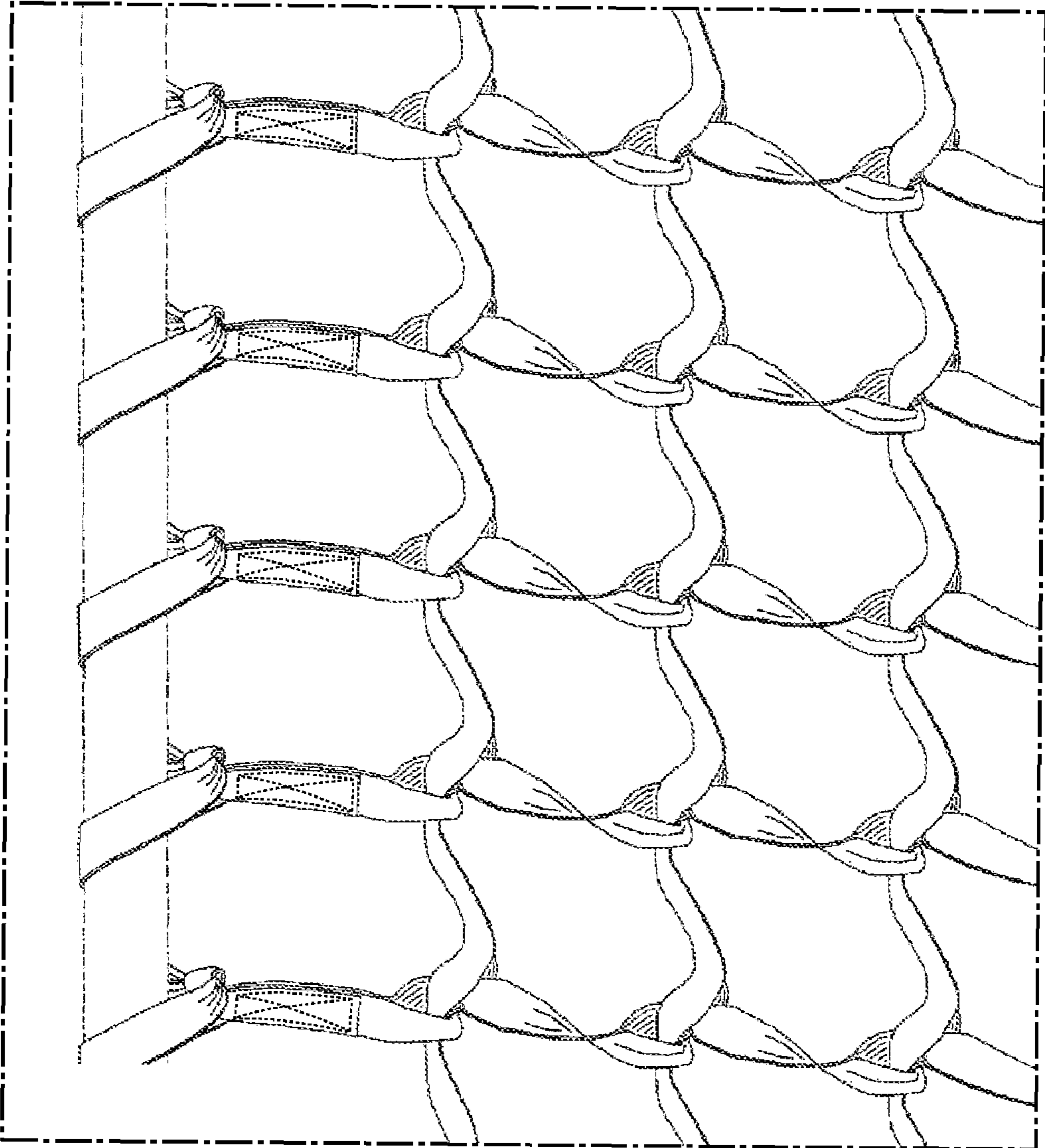
**FIG. 2**



**FIG. 3**



**FIG. 4**



**FIG. 5**