



US00D597922S

(12) **United States Design Patent**
Davis

(10) **Patent No.:** **US D597,922 S**
(45) **Date of Patent:** **** Aug. 11, 2009**

(54) **CARGO CAGE FOR A KAYAK TANK WELL**

2006/0011683 A1* 1/2006 Held 224/406

(76) Inventor: **Richard A. Davis**, 6211 Paisley,
Houston, TX (US) 77096

* cited by examiner

Primary Examiner—Holly H Baynham
Assistant Examiner—Cynthia M Chin

(**) Term: **14 Years**

(21) Appl. No.: **29/294,321**

(57) **CLAIM**

(22) Filed: **Jan. 4, 2008**

I claim the ornamental design for a cargo cage for a kayak tank well, as shown and described.

(51) **LOC (9) Cl.** **12-06**

(52) **U.S. Cl.** **D12/317**

(58) **Field of Classification Search** D12/300,
D12/304, 317, 318, 400, 401, 406, 407, 412,
D12/414; D6/552, 556, 557; D3/304, 306;
224/400, 401, 406, 488, 324, 920, 539, 542
See application file for complete search history.

DESCRIPTION

FIG. 1 is a reduced perspective view of a cargo cage for a kayak tank well embodying the present invention;
FIG. 2 is a right side view of the cargo cage shown in FIG. 1;
FIG. 3 is a left side view of the cargo cage shown in FIG. 1;
FIG. 4 is a front view of the cargo cage shown in FIG. 1;
FIG. 5 is a rear view of the cargo cage shown in FIG. 1;
FIG. 6 is an enlarged bottom view of the cargo cage shown in FIG. 1;
FIG. 7 is an enlarged top view of the cargo cage shown in FIG. 1; and,
FIG. 8 is a reduced perspective view of the cargo cage shown in FIG. 1 positioned within the tank well of a kayak.

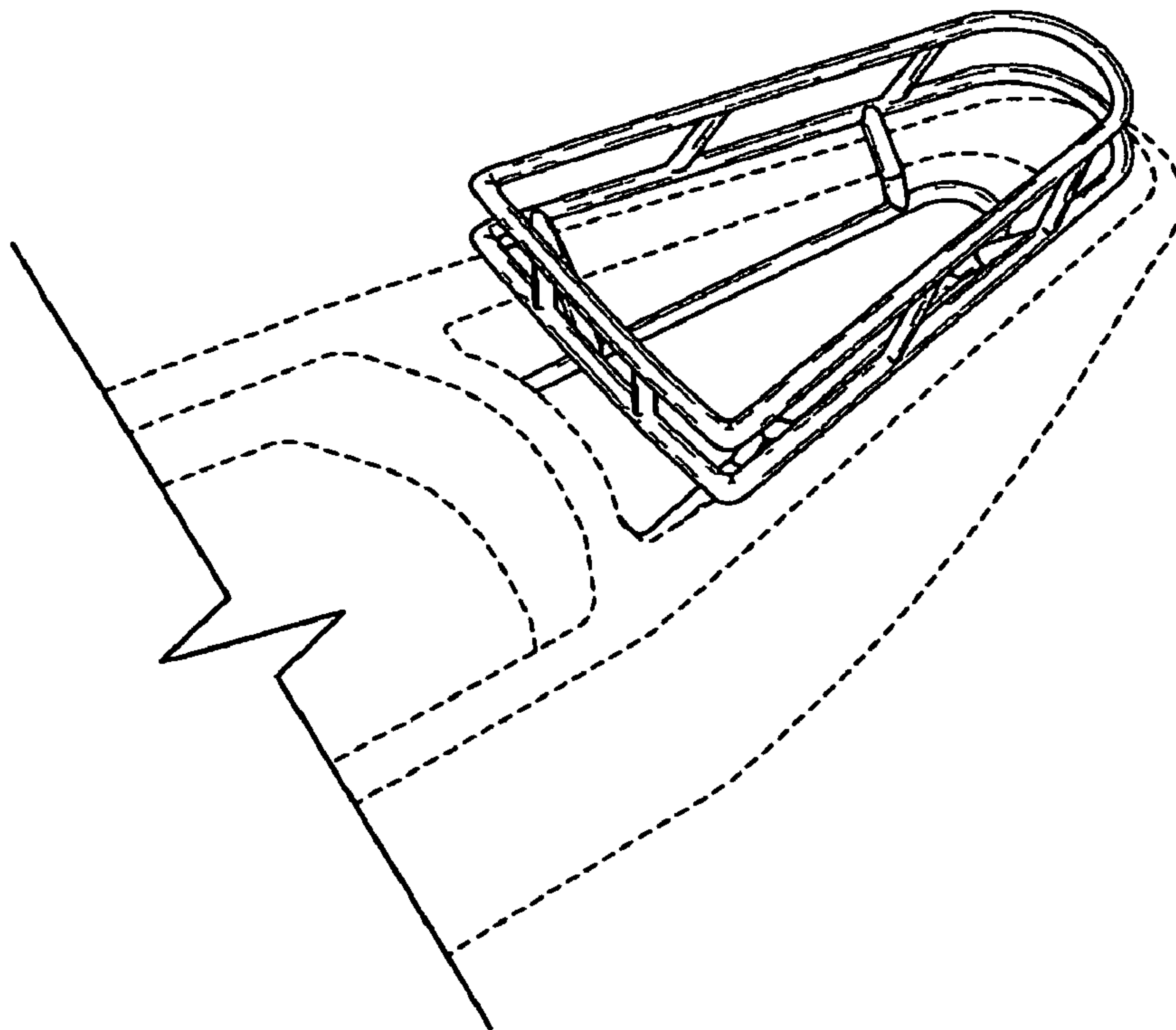
The structures depicted by broken lines in the figures are shown as environment or for illustrative purposes and form no part of the claimed design.

(56) **References Cited**

U.S. PATENT DOCUMENTS

D233,517 S *	11/1974	Girvin, III	D12/407
5,243,928 A *	9/1993	Brenaman	114/347
D364,140 S *	11/1995	Gustavsen	D12/407
D388,394 S *	12/1997	Gogan et al.	D12/407
D391,918 S *	3/1998	Dunn	D12/407
D422,553 S *	4/2000	VonDuyke	D12/412
D434,718 S *	12/2000	Kreisler	D12/412
D447,996 S *	9/2001	Belinky et al.	D12/406
D484,453 S *	12/2003	Harris	D12/406
D519,439 S *	4/2006	Dahl et al.	D12/407
D536,873 S *	2/2007	Thorsteinsson et al.	D3/306
D558,123 S *	12/2007	Murillo	D12/412

1 Claim, 3 Drawing Sheets



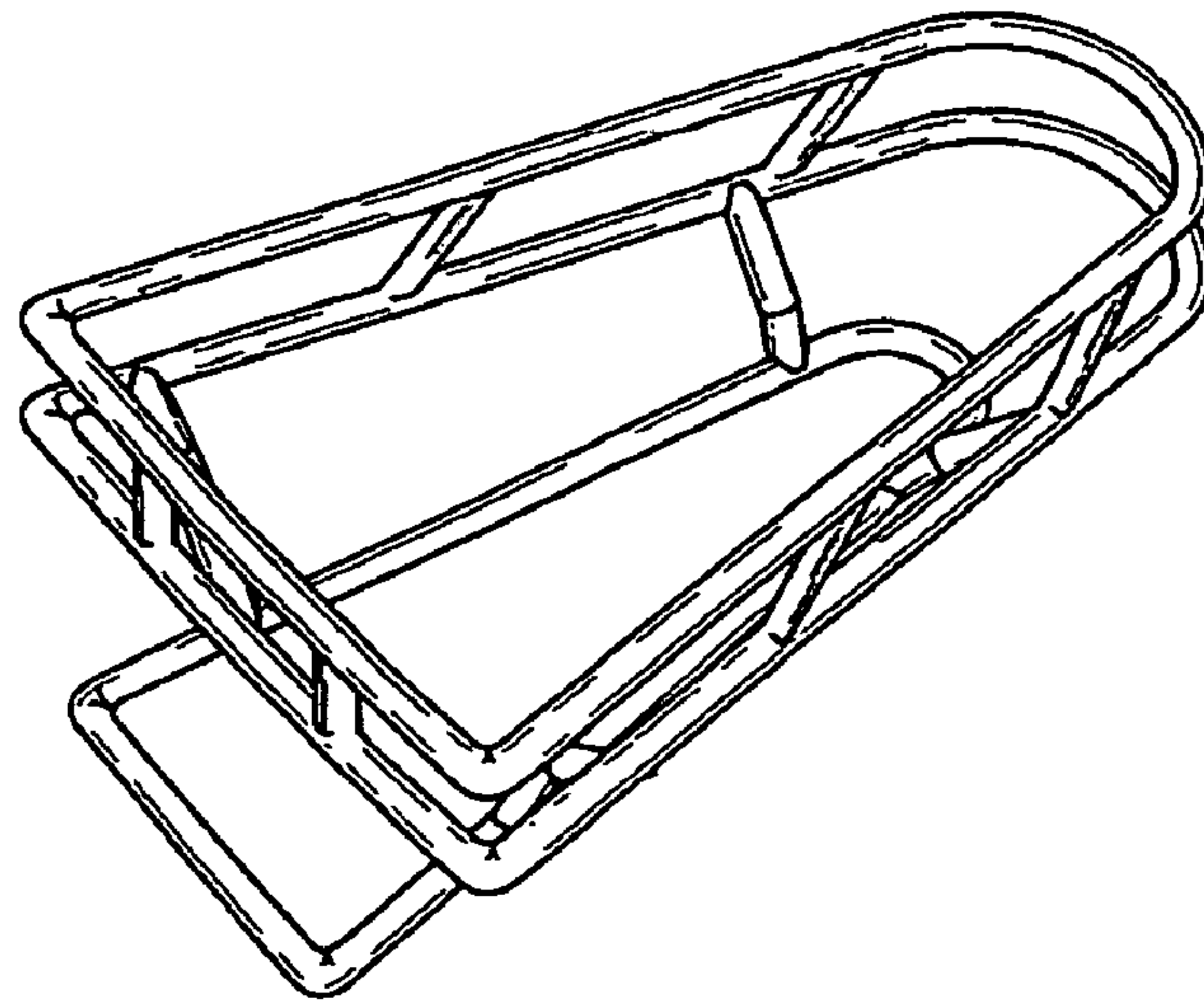


FIG. 1

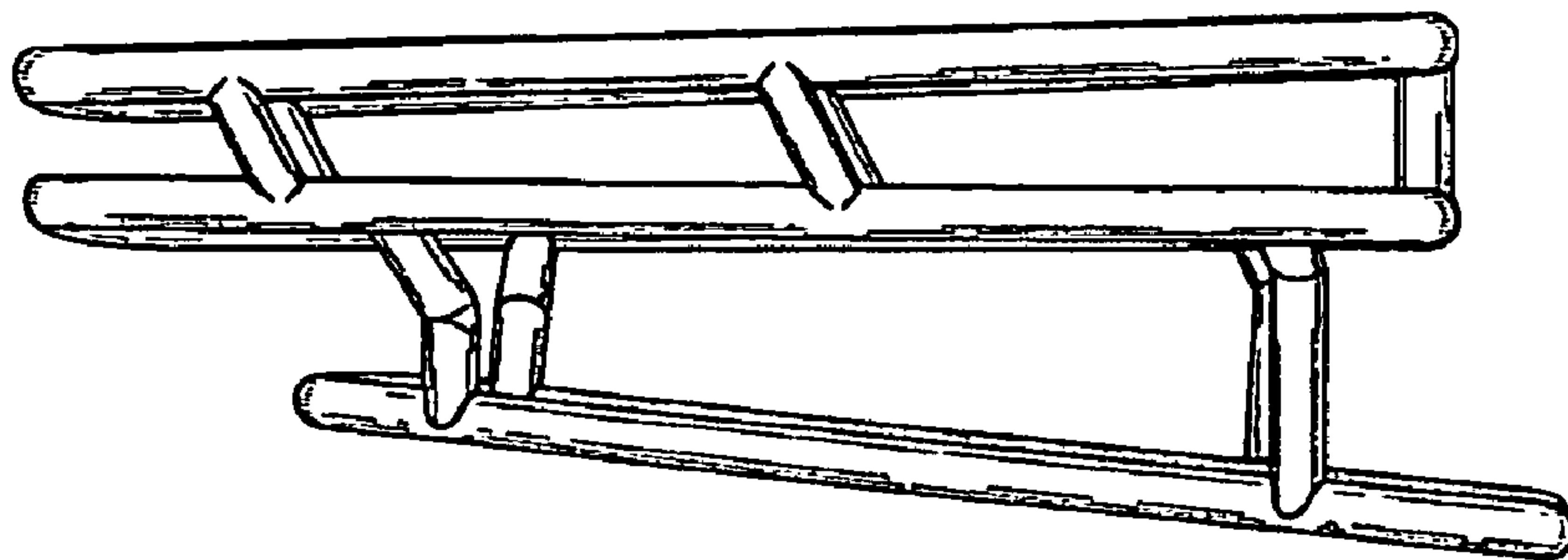


FIG. 2

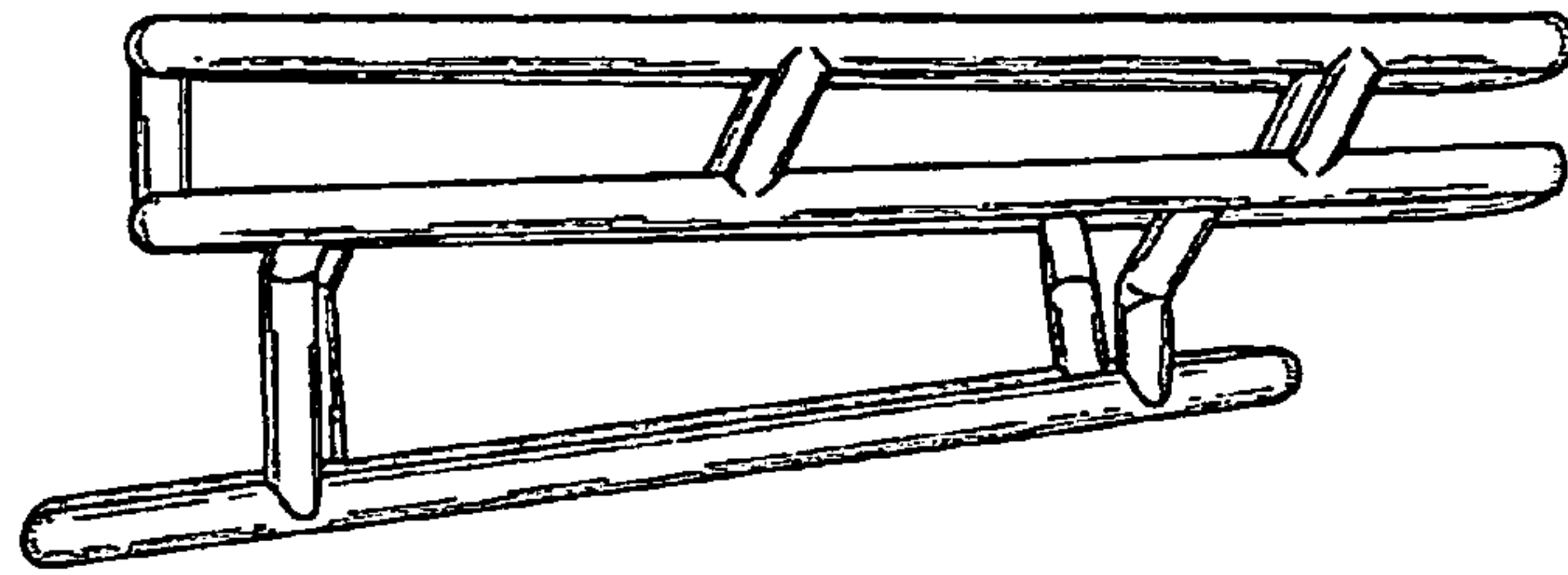


FIG. 3

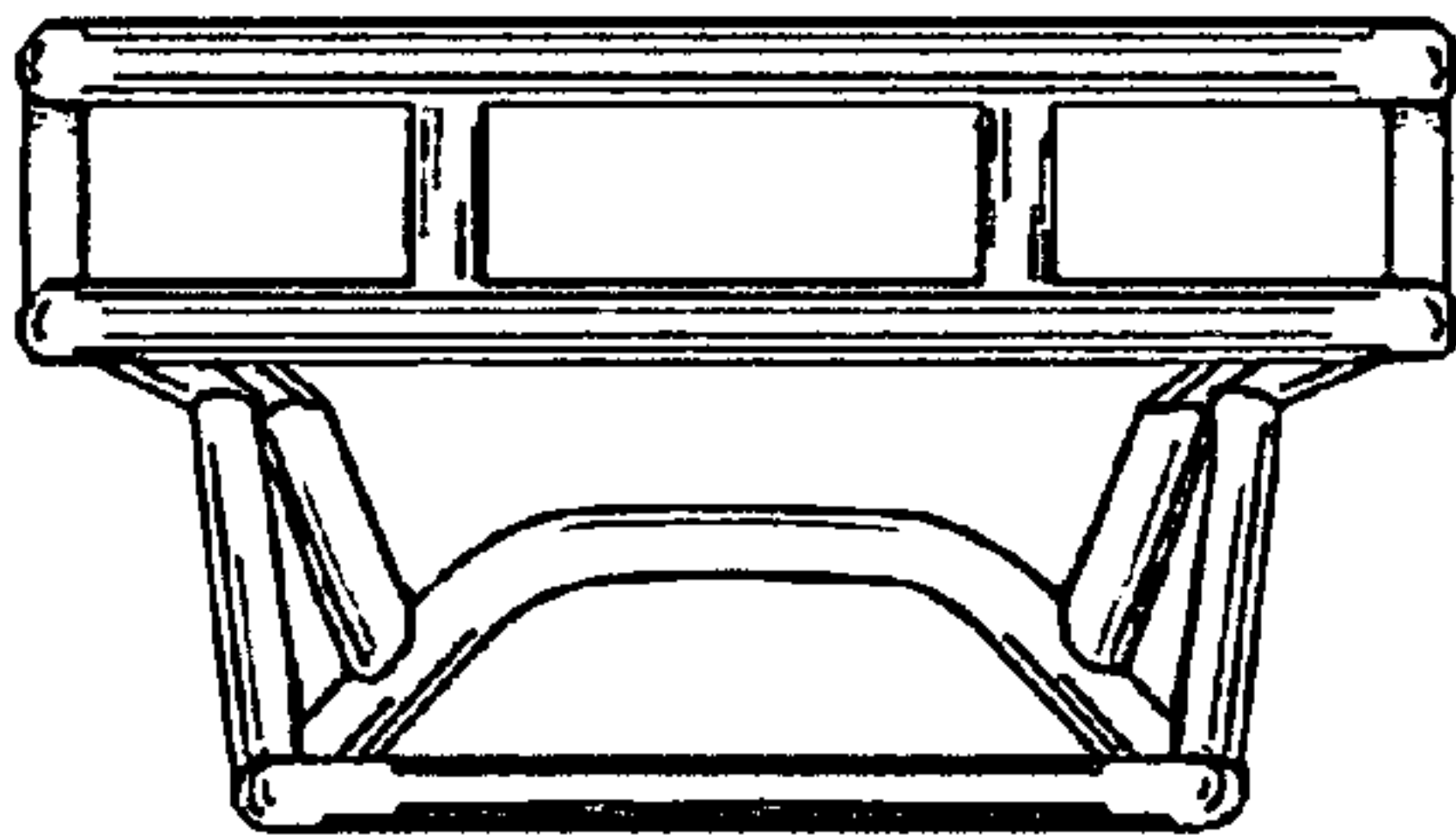


FIG. 4

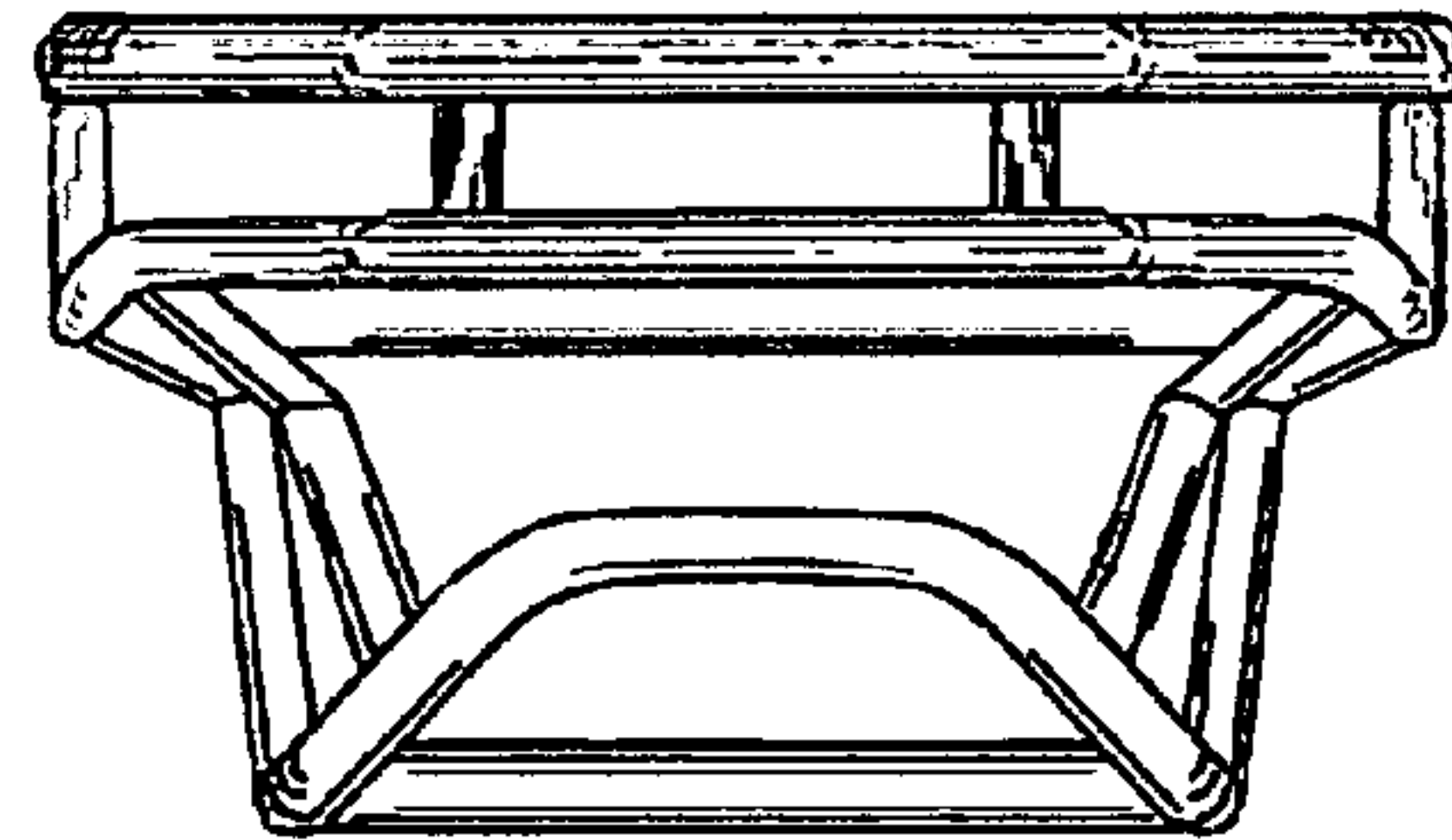


FIG. 5

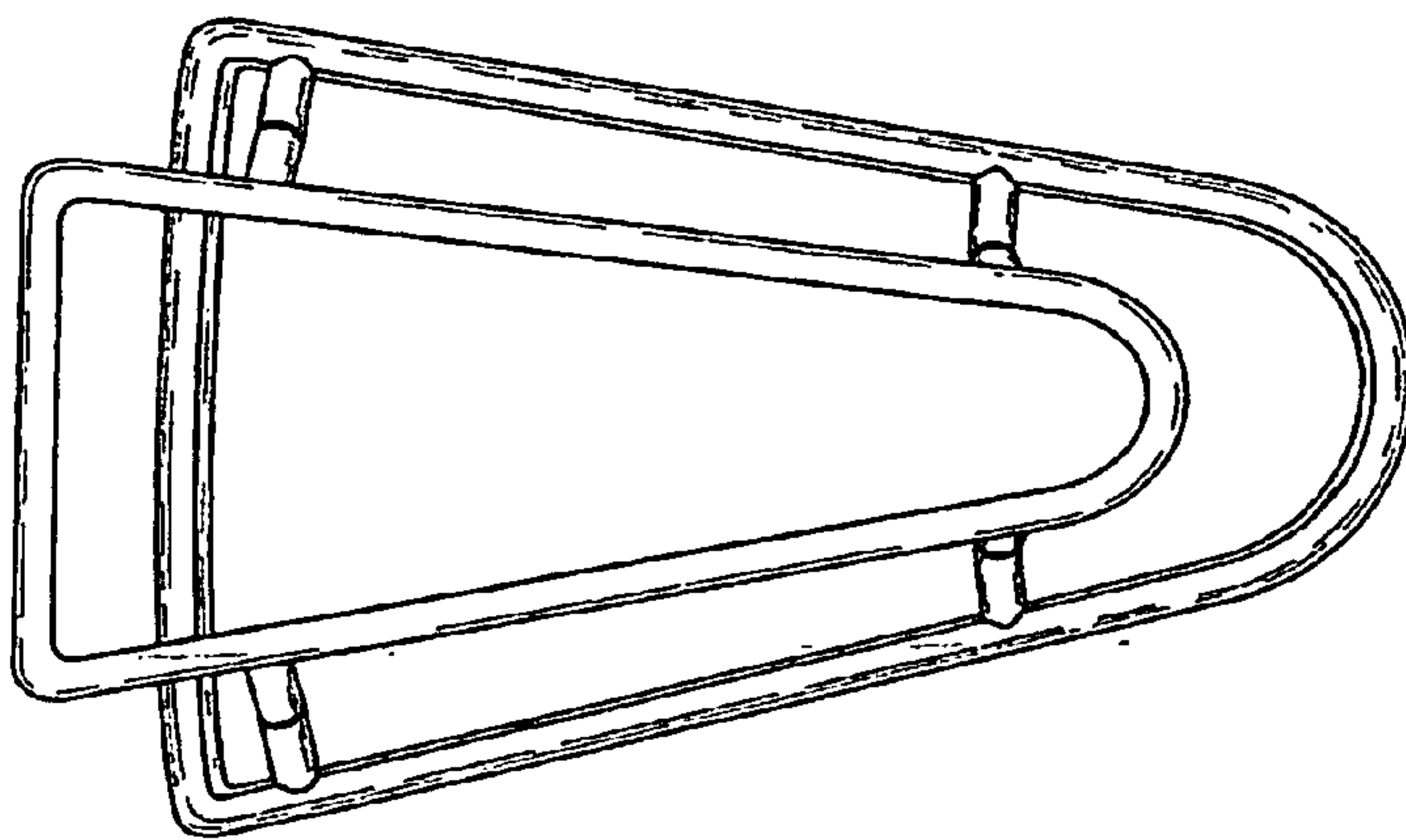


FIG. 6

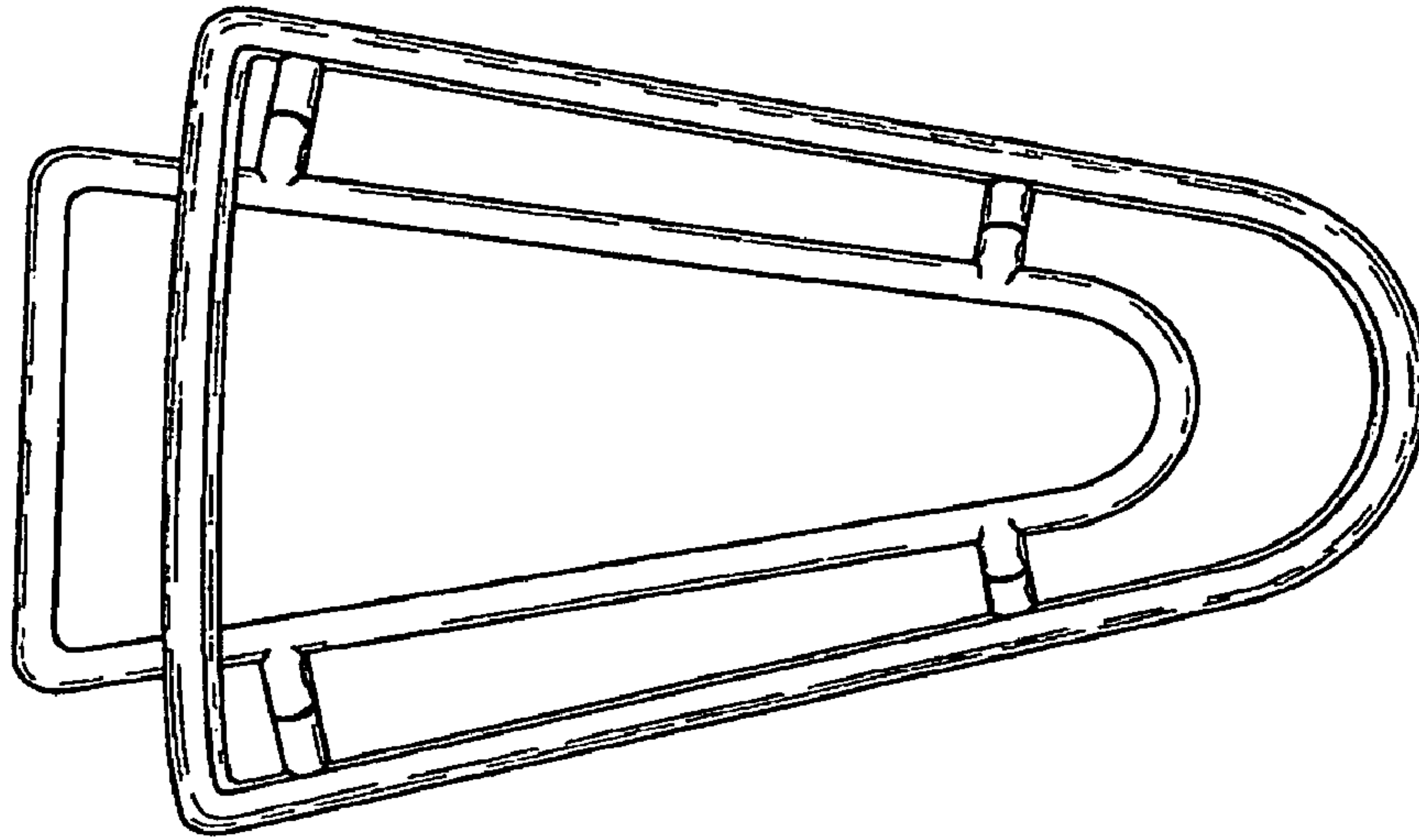


FIG. 7

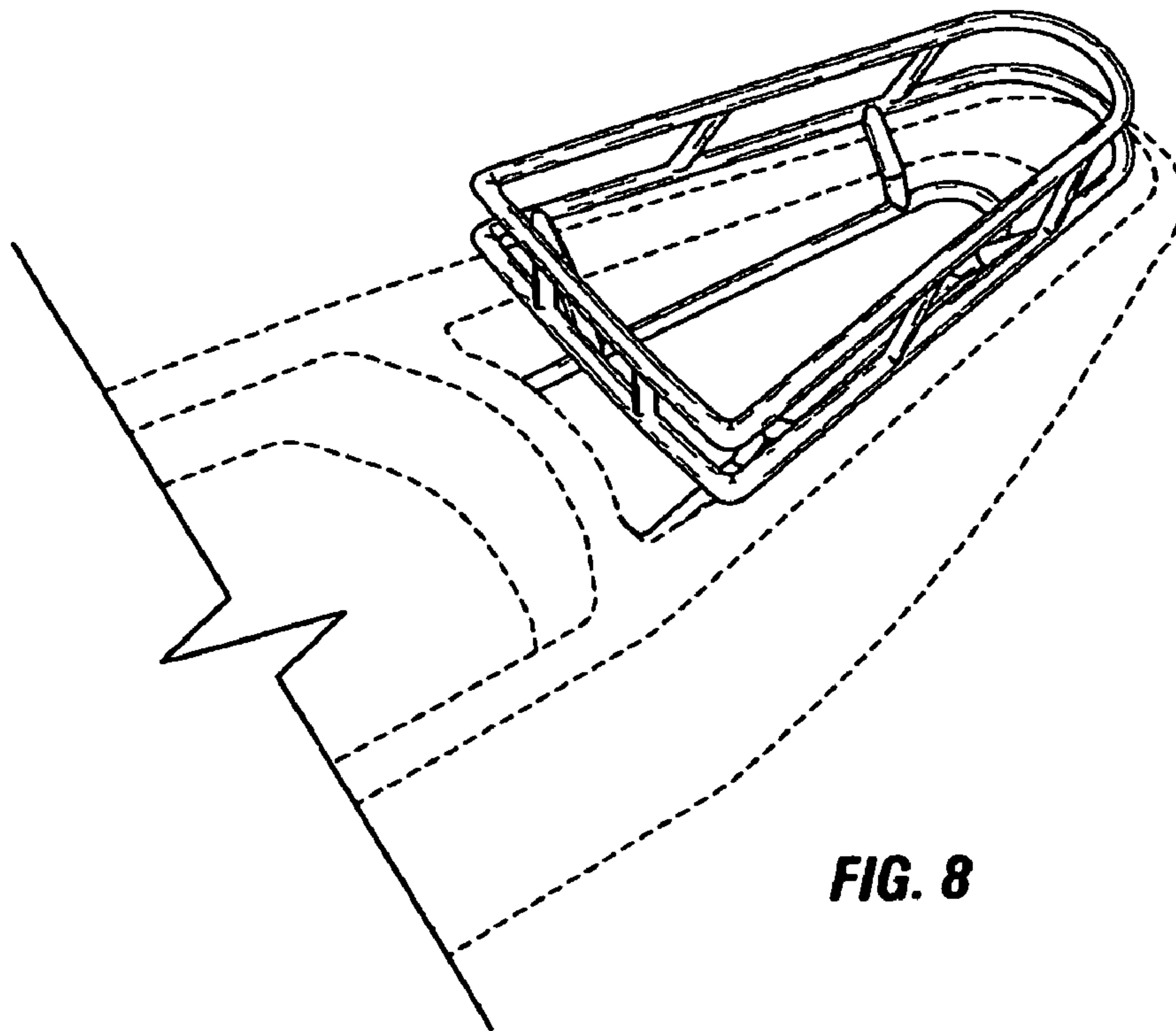


FIG. 8