



US00D597918S

(12) **United States Design Patent**  
**Juergens et al.**

(10) **Patent No.:** **US D597,918 S**

(45) **Date of Patent:** **\*\* Aug. 11, 2009**

(54) **WHEEL OR WHEEL COVER**

(75) Inventors: **Dirk Juergens**, Munich (DE); **Rainer Mueller**, Munich (DE)

(73) Assignee: **Bayerische Motoren Werke Aktiengesellschaft**, Munich (DE)

(\*\*) Term: **14 Years**

(21) Appl. No.: **29/309,908**

(22) Filed: **Nov. 7, 2008**

(30) **Foreign Application Priority Data**

May 9, 2008 (DE) ..... 402008002370

(51) **LOC (9) Cl.** ..... **12-16**

(52) **U.S. Cl.** ..... **D12/209**

(58) **Field of Classification Search** ..... D12/204-213;  
301/37.101, 64.101, 65, 64.201

See application file for complete search history.

(56) **References Cited**

**U.S. PATENT DOCUMENTS**

D403,649 S *	1/1999	Moreno	.....	D12/211
D477,266 S *	7/2003	Chung	.....	D12/211
D480,672 S *	10/2003	Pfeiffer et al.	.....	D12/209
D486,110 S *	2/2004	Elmitt	.....	D12/211
D499,681 S *	12/2004	Boyer	.....	D12/209
D503,915 S *	4/2005	Markefka	.....	D12/209
D504,858 S *	5/2005	Pfeiffer	.....	D12/209
D505,903 S *	6/2005	Nordmann	.....	D12/209
D507,223 S *	7/2005	Szavits	.....	D12/209
D516,487 S *	3/2006	Hettler	.....	D12/209
D516,982 S *	3/2006	Gallert	.....	D12/209
D520,433 S *	5/2006	Hosoi	.....	D12/211
D521,921 S	5/2006	Hueller	.....	

D522,949 S *	6/2006	Elmitt	.....	D12/211
D528,060 S *	9/2006	Laengerer	.....	D12/209
D529,429 S *	10/2006	Hsu	.....	D12/209
D530,257 S *	10/2006	Pfeiffer	.....	D12/211
D530,657 S *	10/2006	Pfeiffer	.....	D12/211
D531,565 S *	11/2006	Pfeiffer	.....	D12/211
D535,238 S *	1/2007	Kim	.....	D12/209
D535,933 S *	1/2007	Markefka	.....	D12/209
D536,294 S *	2/2007	Laengerer	.....	D12/211
D541,204 S	4/2007	Huet	.....	
D551,150 S *	9/2007	Hueller et al.	.....	D12/211
D555,566 S	11/2007	Hlinovsky	.....	
D560,152 S	1/2008	Nordmann	.....	
D574,310 S	8/2008	Huet	.....	
D580,334 S	11/2008	Blasi	.....	
D586,281 S *	2/2009	Pfeiffer	.....	D12/209

**FOREIGN PATENT DOCUMENTS**

JP 1224425 12/2004

\* cited by examiner

*Primary Examiner*—Cathron C Brooks

*Assistant Examiner*—Austin Murphy

(74) *Attorney, Agent, or Firm*—Crowell & Moring LLP

(57) **CLAIM**

The ornamental design for a wheel or wheel cover, as shown and described.

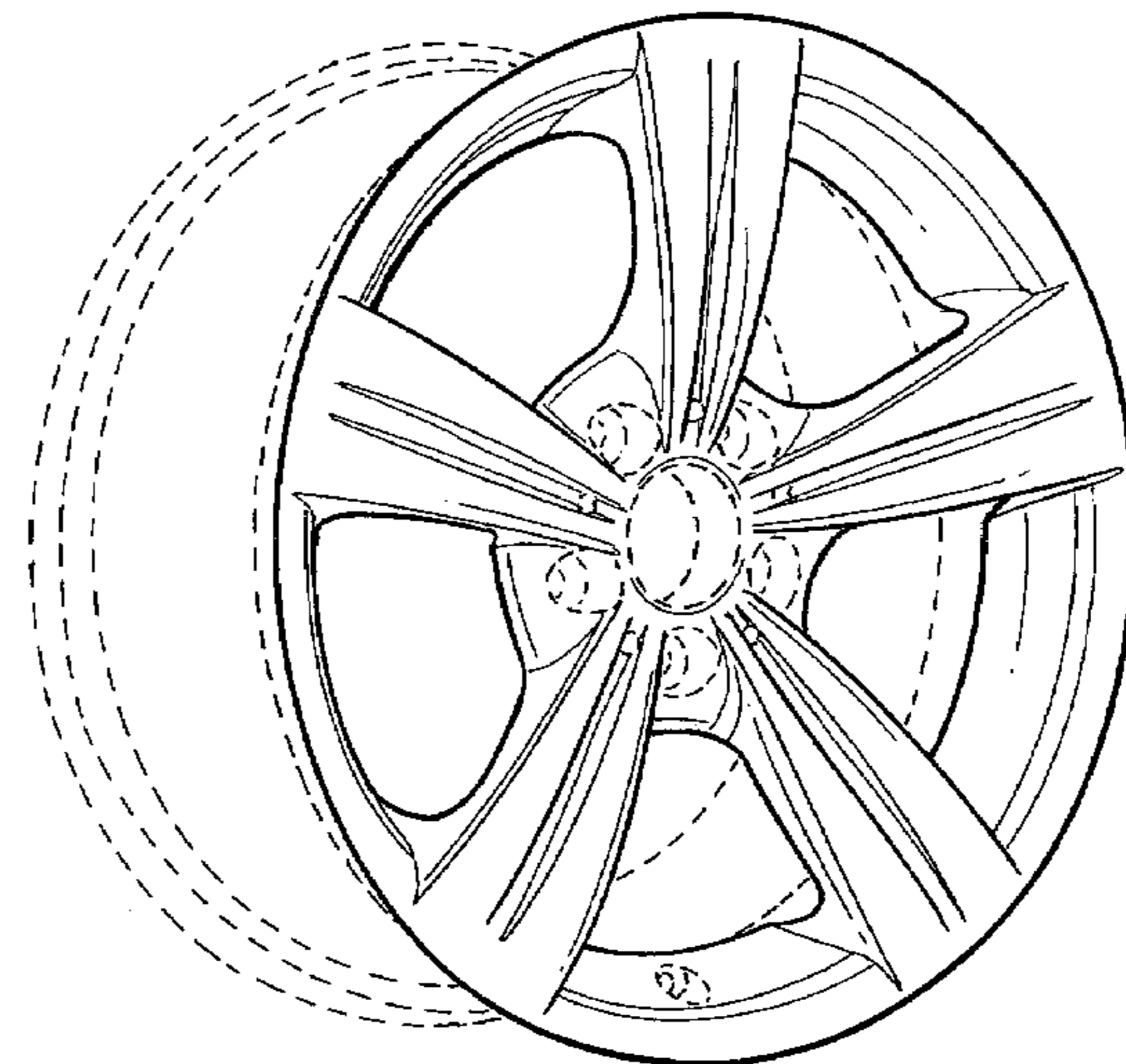
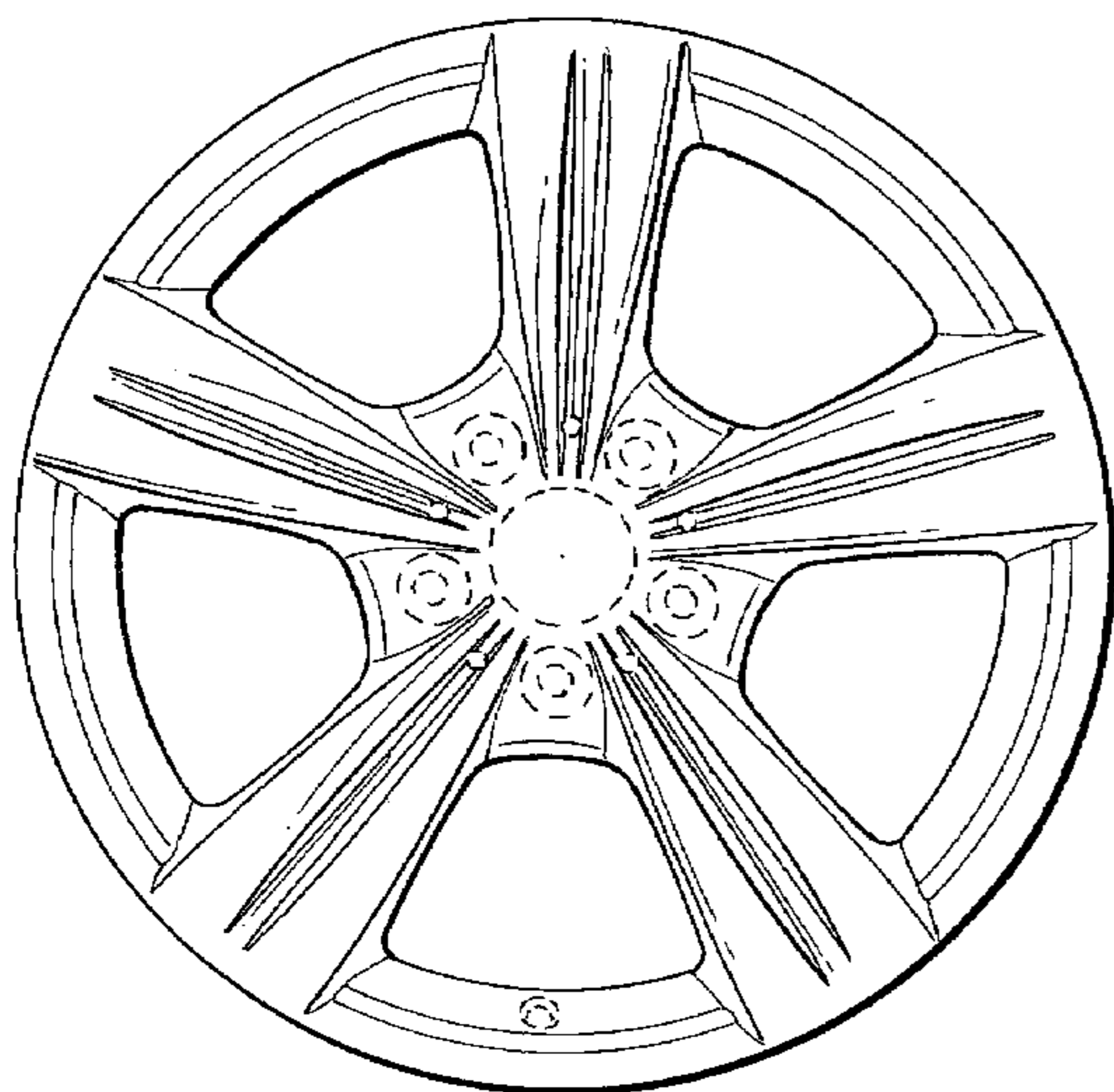
**DESCRIPTION**

FIG. 1 is a front view of a wheel or wheel cover according to our design; and,

FIG. 2 is a perspective view thereof.

The broken lines are for illustrative purposes only and form no part of the claimed design.

**1 Claim, 1 Drawing Sheet**



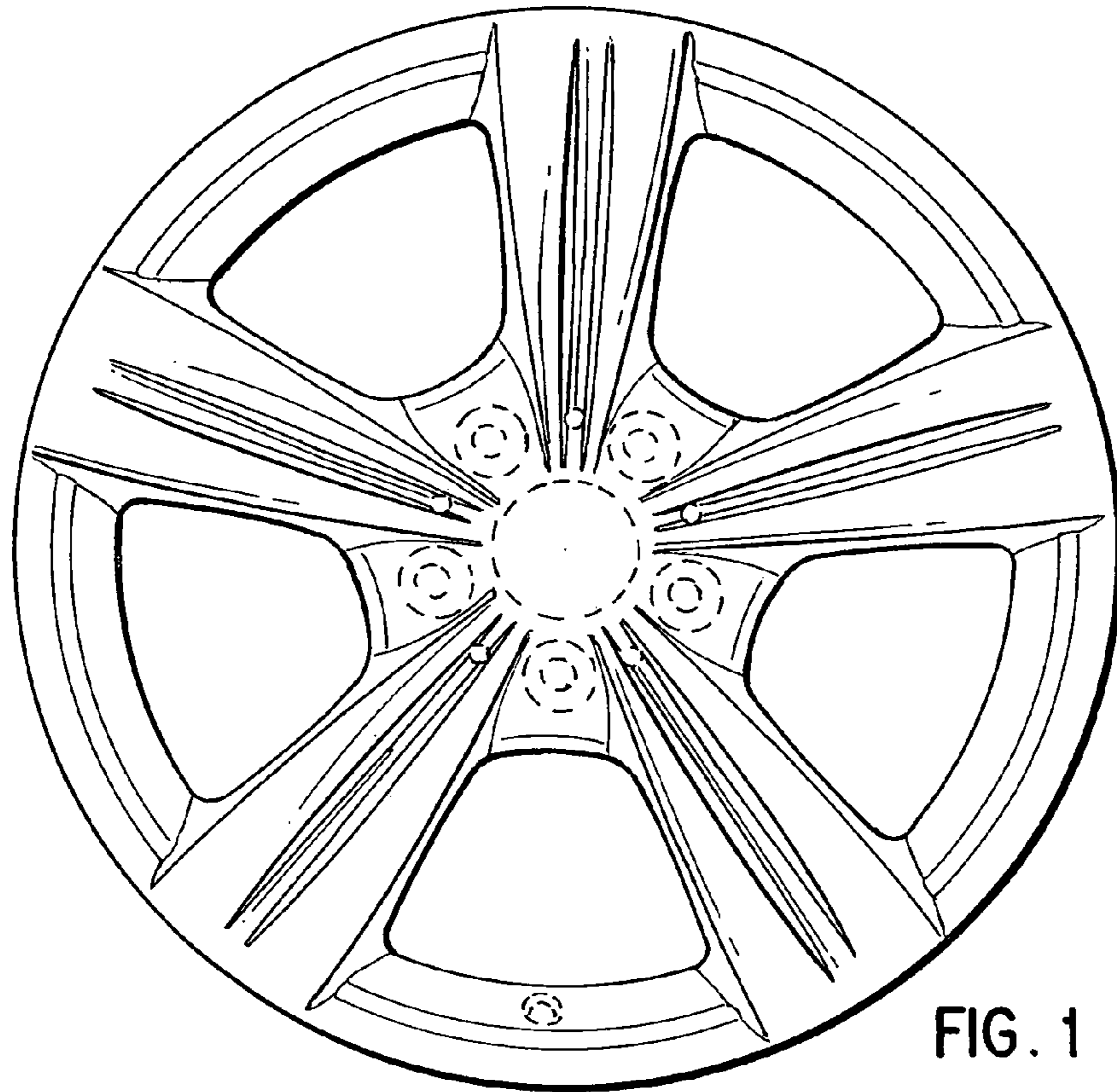


FIG. 1

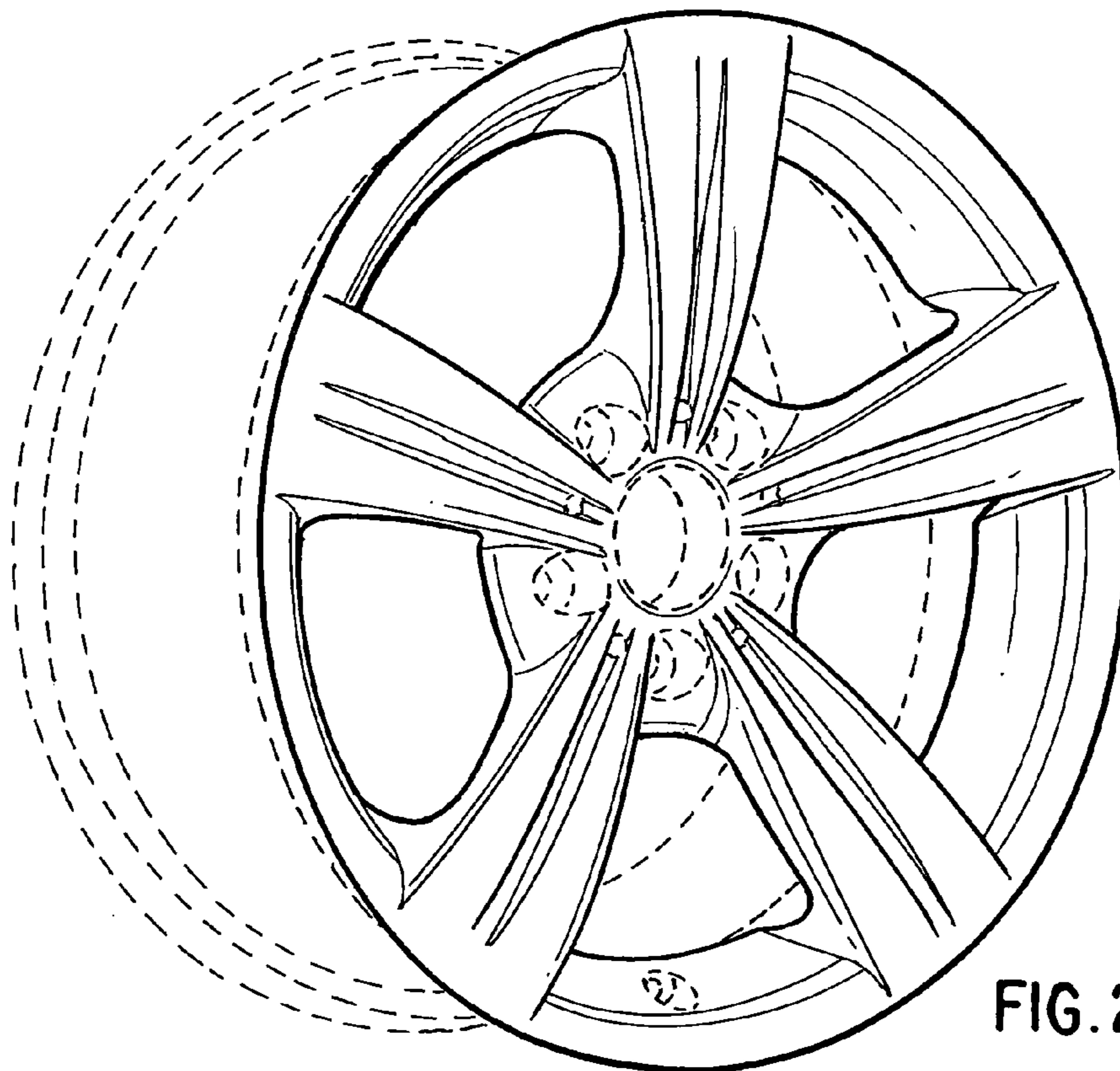


FIG. 2