

US00D597913S

(12) **United States Design Patent**  
**Machida**

(10) **Patent No.:** **US D597,913 S**

(45) **Date of Patent:** **\*\* Aug. 11, 2009**

(54) **SHAFT FOR SUN VISOR**

(75) Inventor: **Kazunori Machida**, Kanagawa-ken (JP)

(73) Assignee: **Piolax Inc.**, Yokohama-shi,  
Kanagawa-ken (JP)

(\*\*) Term: **14 Years**

(21) Appl. No.: **29/309,355**

(22) Filed: **Jul. 30, 2008**

(30) **Foreign Application Priority Data**

Jan. 31, 2008 (JP) ..... 2008-002053

(51) **LOC (9) Cl.** ..... **12-16**

(52) **U.S. Cl.** ..... **D12/191**

(58) **Field of Classification Search** ..... D12/191,  
D12/181, 184-185, 106, 417, 311-312; 296/97.1-97.8,  
296/180.1; 160/370.21, 370.23, 370.22

See application file for complete search history.

(56) **References Cited**

**U.S. PATENT DOCUMENTS**

- 4,756,570 A \* 7/1988 Cooper ..... 296/97.13
- 5,499,854 A \* 3/1996 Crotty et al. .... 296/97.13
- 5,603,547 A \* 2/1997 Finn et al. .... 296/97.1
- 5,660,424 A \* 8/1997 Aymerich et al. .... 296/97.12
- 5,975,617 A \* 11/1999 Jacquemin et al. .... 296/97.9

- 6,003,928 A \* 12/1999 Curtindale ..... 296/97.9
- 6,068,323 A \* 5/2000 Brown et al. .... 296/97.9
- 6,817,583 B2 \* 11/2004 Wilson ..... 248/231.9
- 7,036,877 B2 \* 5/2006 Schultz et al. .... 296/214
- 7,226,107 B1 \* 6/2007 Wheeler et al. .... 296/97.9
- 2005/0145347 A1 \* 7/2005 Dawson et al. .... 160/370.21

\* cited by examiner

*Primary Examiner*—Caron Veynar

*Assistant Examiner*—Katrina A Kile

(74) *Attorney, Agent, or Firm*—McGinn IP Law Group,  
PLLC

(57) **CLAIM**

The ornamental design for a shaft for sun visor, as shown and described.

**DESCRIPTION**

FIG. 1 is a perspective view of the front, top and left side of a shaft for sun visor showing my new design;

FIG. 2 is a front view thereof;

FIG. 3 is a rear view thereof;

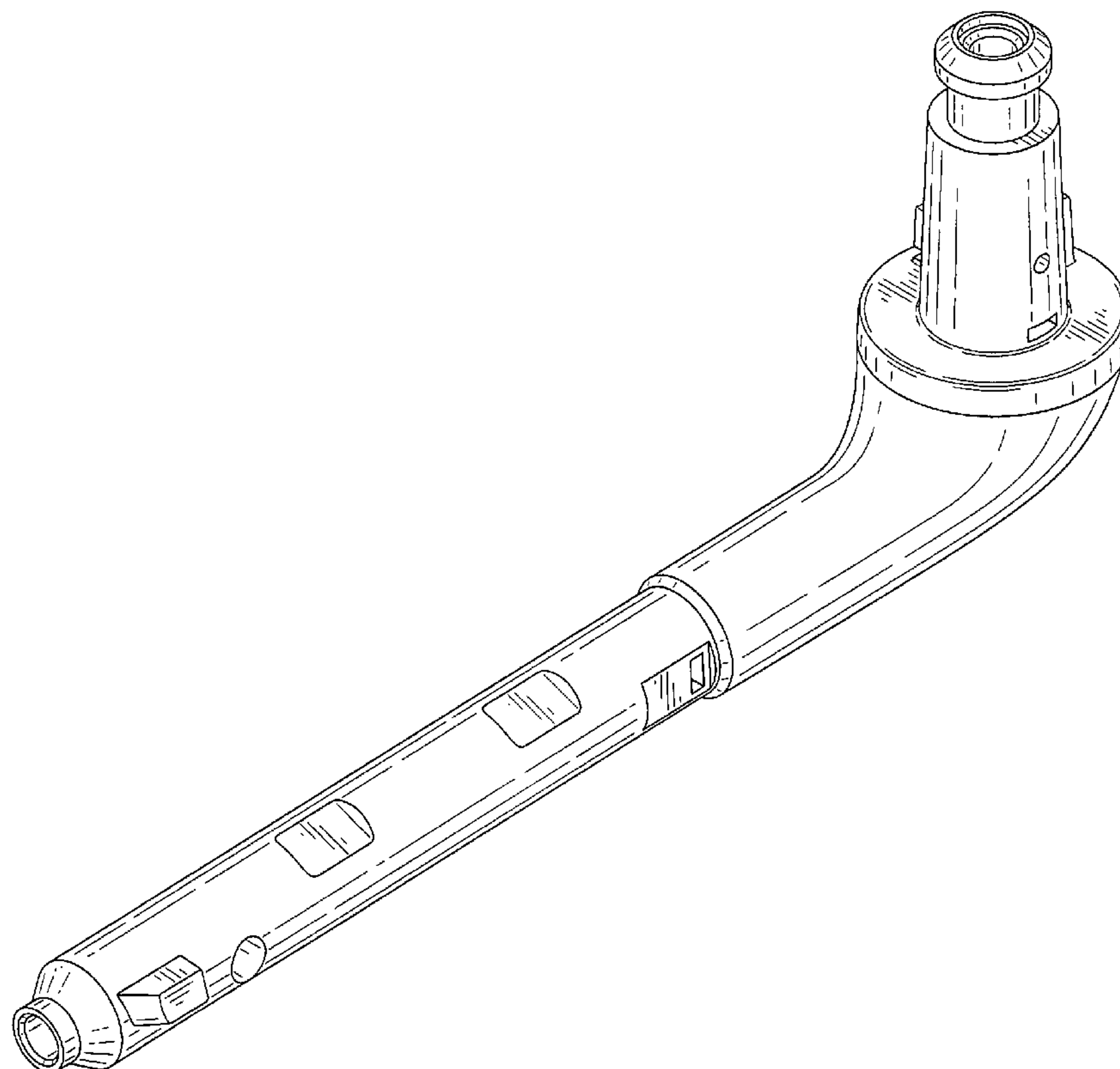
FIG. 4 is a left side view thereof;

FIG. 5 is a right side view thereof;

FIG. 6 is a top plan view thereof; and,

FIG. 7 is a bottom view thereof.

**1 Claim, 5 Drawing Sheets**



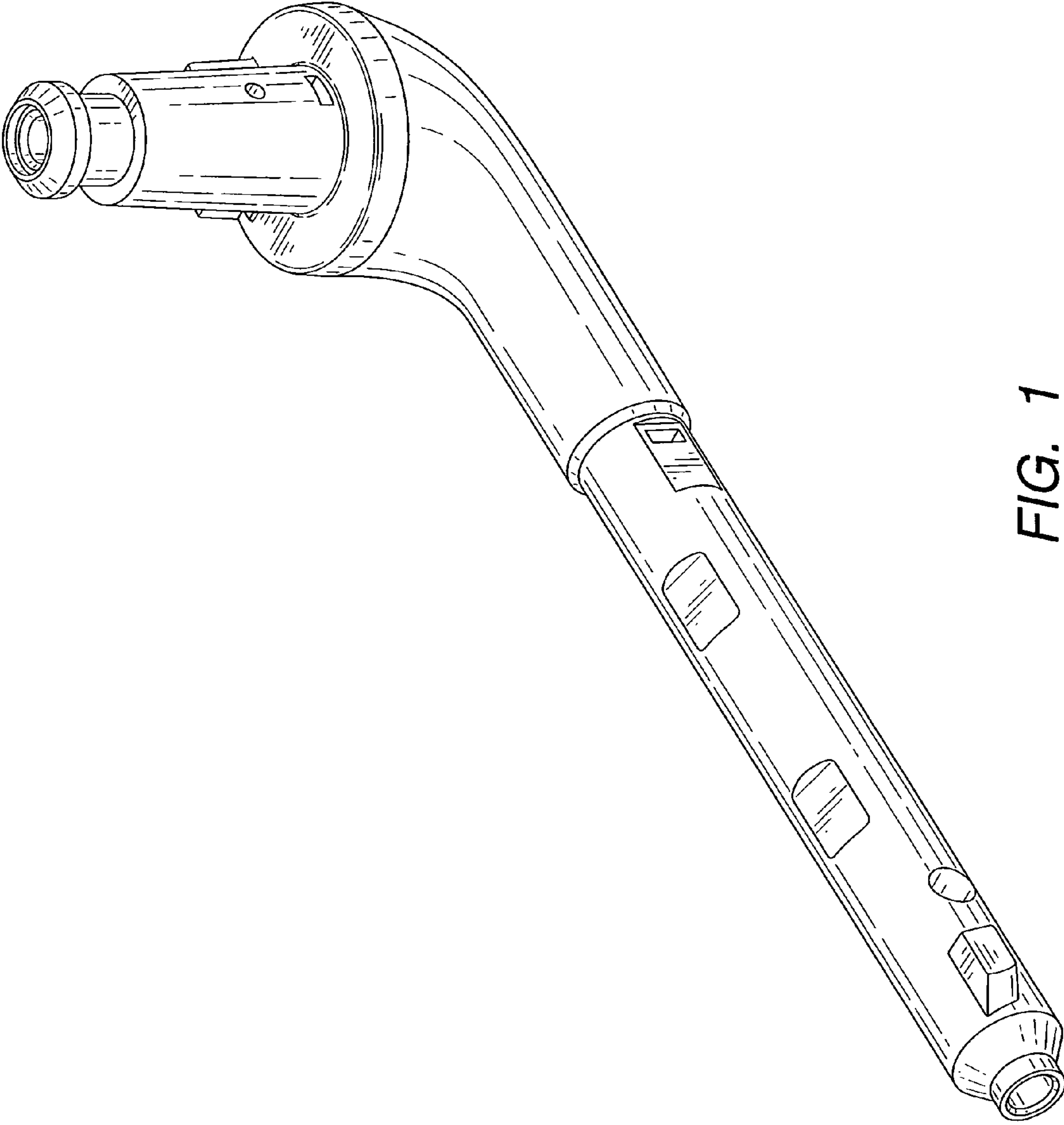


FIG. 1

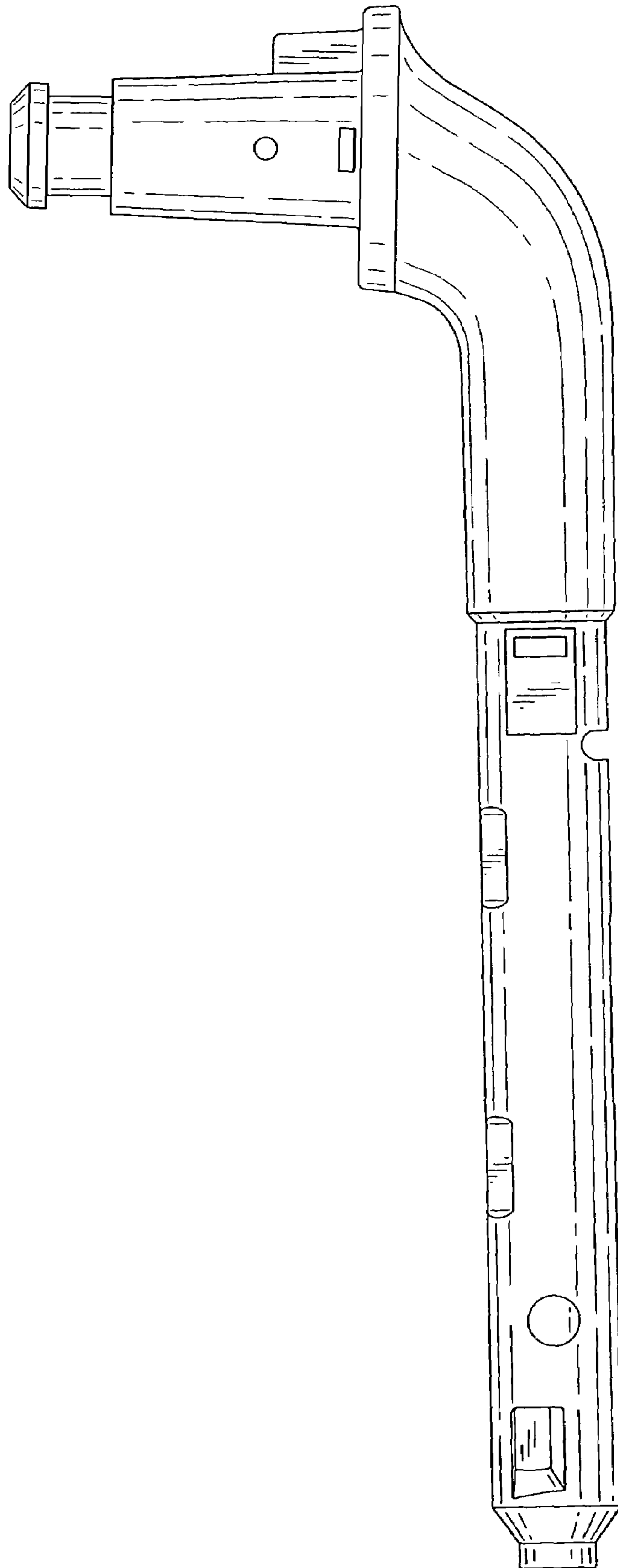


FIG. 2

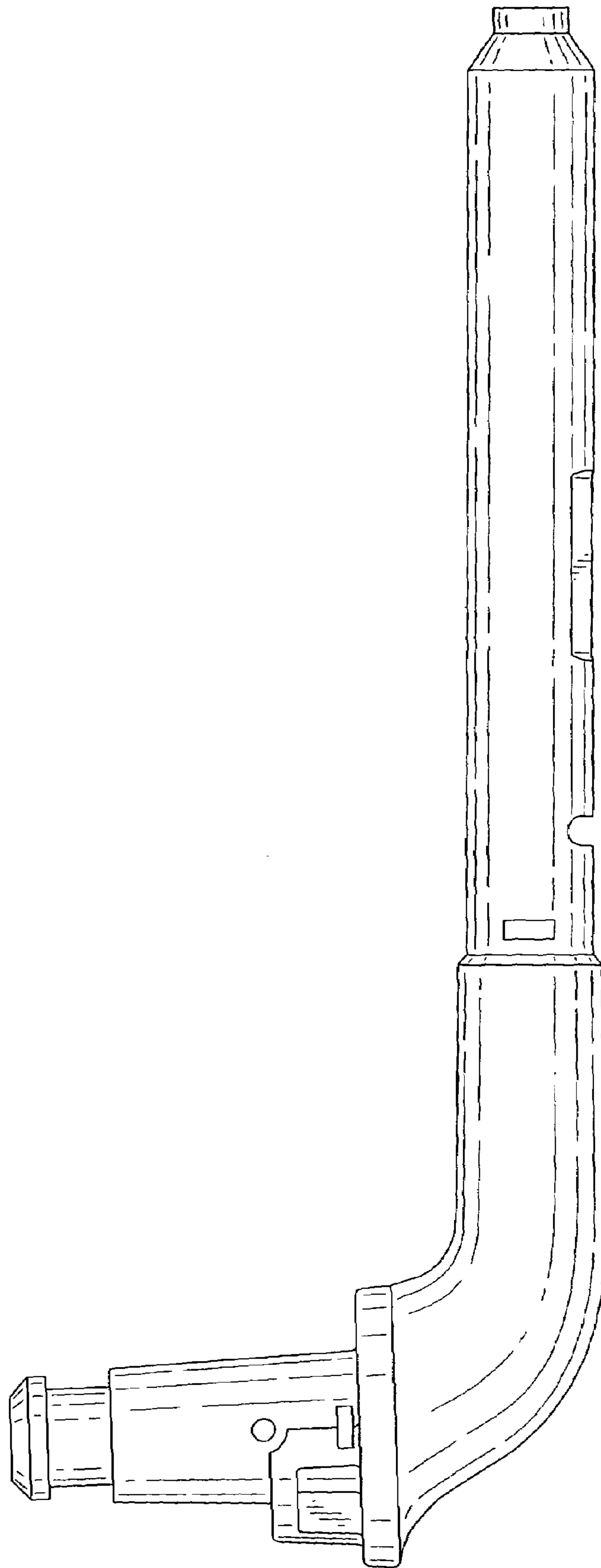
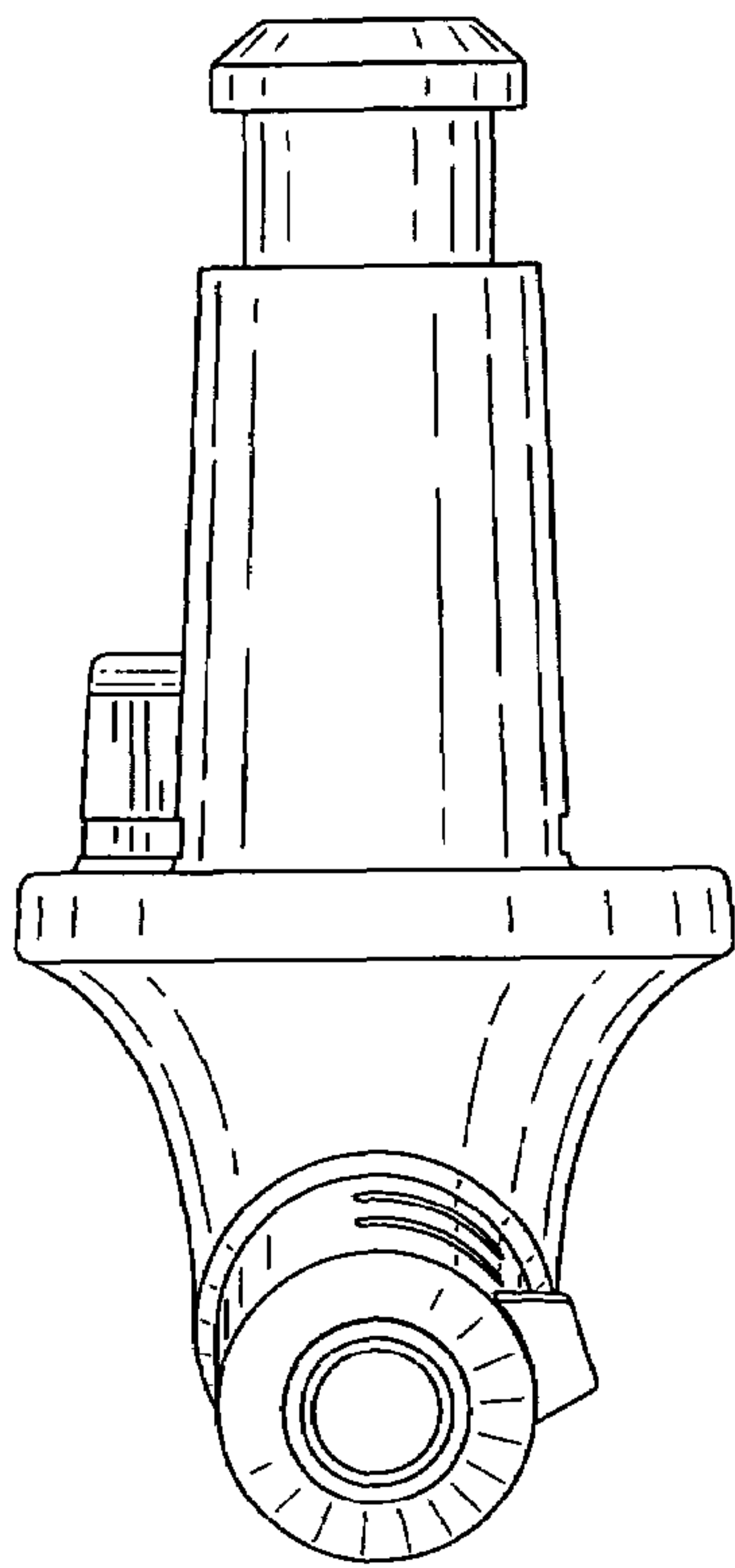
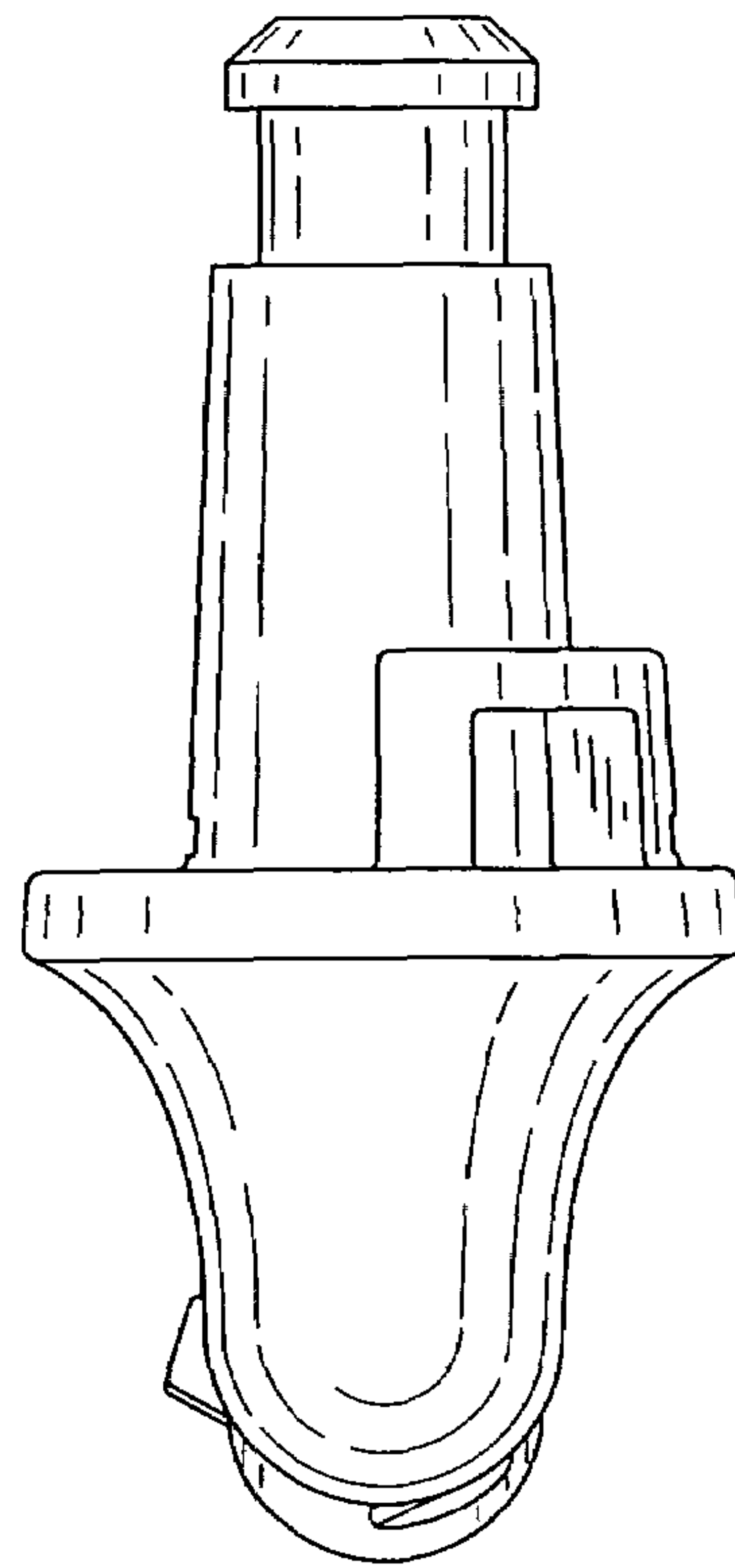


FIG. 3



*FIG. 4*



*FIG. 5*

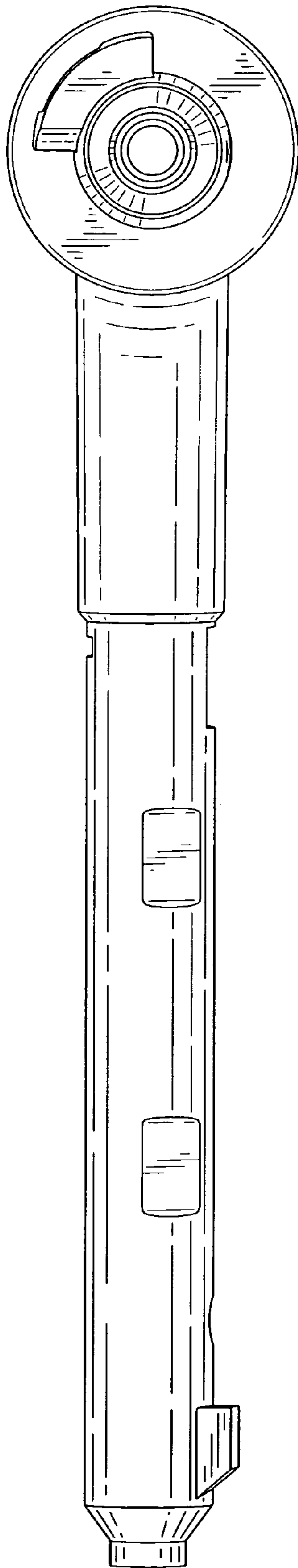


FIG. 6

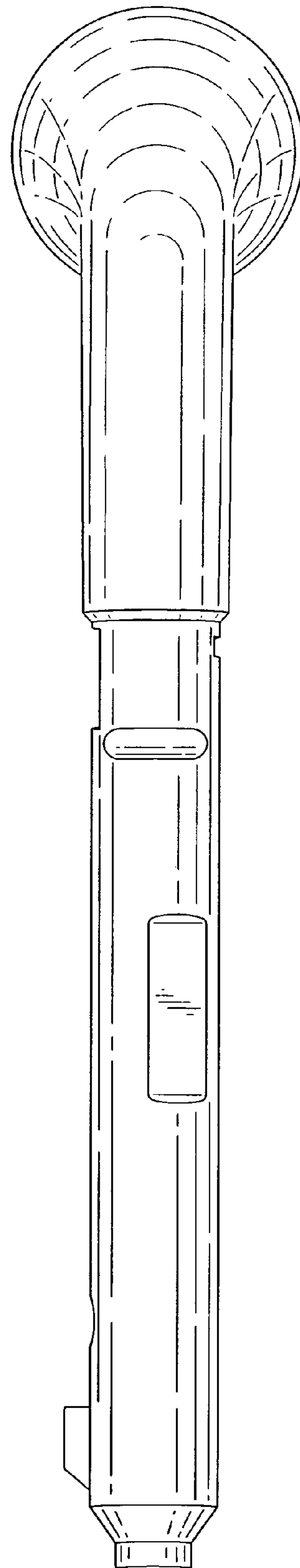


FIG. 7