



US00D597909S

(12) **United States Design Patent**  
**Schlater et al.**

(10) **Patent No.:** **US D597,909 S**

(45) **Date of Patent:** **\*\* Aug. 11, 2009**

(54) **TRIM MOLDING FOR A MOTOR VEHICLE WINDOW**

(75) Inventors: **Timothy J. Schlater**, Ludlow Falls, OH (US); **Bradley M. Gross**, Tipp City, OH (US); **Marvin O. Reynolds**, Troy, OH (US)

(73) Assignee: **Creative Extruded Products, Inc.**, Tipp City, OH (US)

(\*\*) Term: **14 Years**

(21) Appl. No.: **29/294,720**

(22) Filed: **Jan. 25, 2008**

(51) **LOC (9) Cl.** ..... **12-16**

(52) **U.S. Cl.** ..... **D12/190**

(58) **Field of Classification Search** ..... D12/190, D12/181, 400, 90, 91, 92, 114, 199, 196, D12/197, 86, 171, 172, 173, 169, 163; D11/211, D11/81, 157, 133, 172; 293/102, 115, 1.07-1.08; D20/11, 23, 24, 25; 40/760, 591-594; 428/98-99, 428/31

See application file for complete search history.

(56) **References Cited**

**U.S. PATENT DOCUMENTS**

4,916,873 A \* 4/1990 Keys ..... 52/208  
4,975,306 A \* 12/1990 Jackson ..... 428/31

D322,053 S \* 12/1991 Bradley ..... D12/220  
5,137,323 A \* 8/1992 Gross et al. .... 296/93  
5,163,731 A \* 11/1992 Gold ..... 296/201  
5,311,711 A \* 5/1994 Desir, Sr. .... 52/208  
5,348,364 A \* 9/1994 Yada ..... 296/93  
5,352,496 A \* 10/1994 Jackson ..... 428/31  
5,864,996 A \* 2/1999 Veldman et al. .... 52/204.597

\* cited by examiner

*Primary Examiner*—Caron Veynar

*Assistant Examiner*—Katrina A Kile

(74) *Attorney, Agent, or Firm*—Jacox, Meckstroth & Jenkins

(57) **CLAIM**

The ornamental design for a trim molding for a motor vehicle window, as shown and described.

**DESCRIPTION**

FIG. 1 is a front perspective view of a trim molding for a motor vehicle window, showing our new design;

FIG. 2 is a right end view thereof;

FIG. 3 is a front perspective view of a second embodiment of a trim molding for a motor vehicle window; and,

FIG. 4 is a right end view thereof.

The middle portion of the trim molding is broken away in FIGS. 1 and 3 to indicate no particular length. The broken lines in FIGS. 2 and 4 show a window edge and form no part of the claimed design.

**1 Claim, 2 Drawing Sheets**

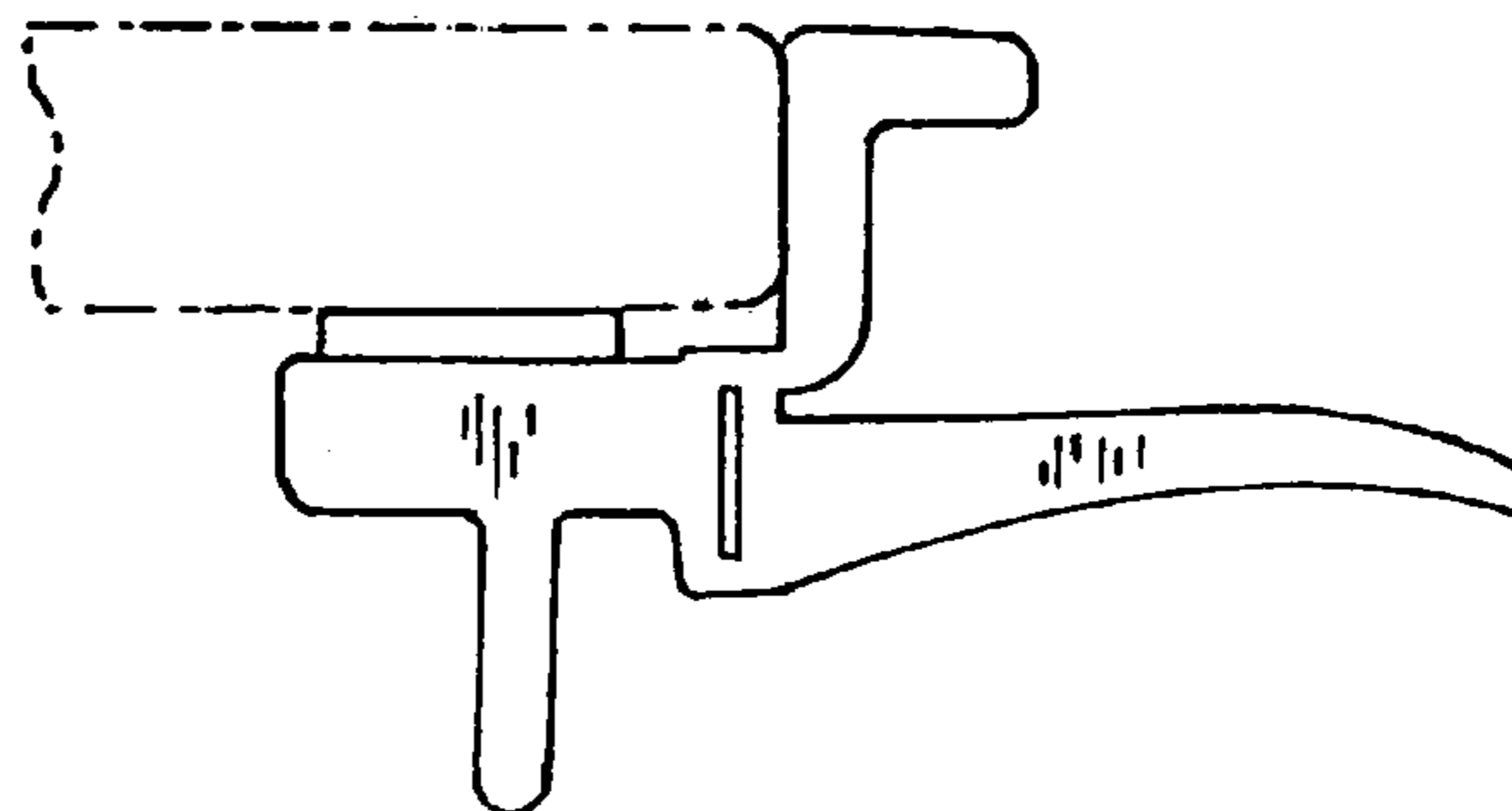
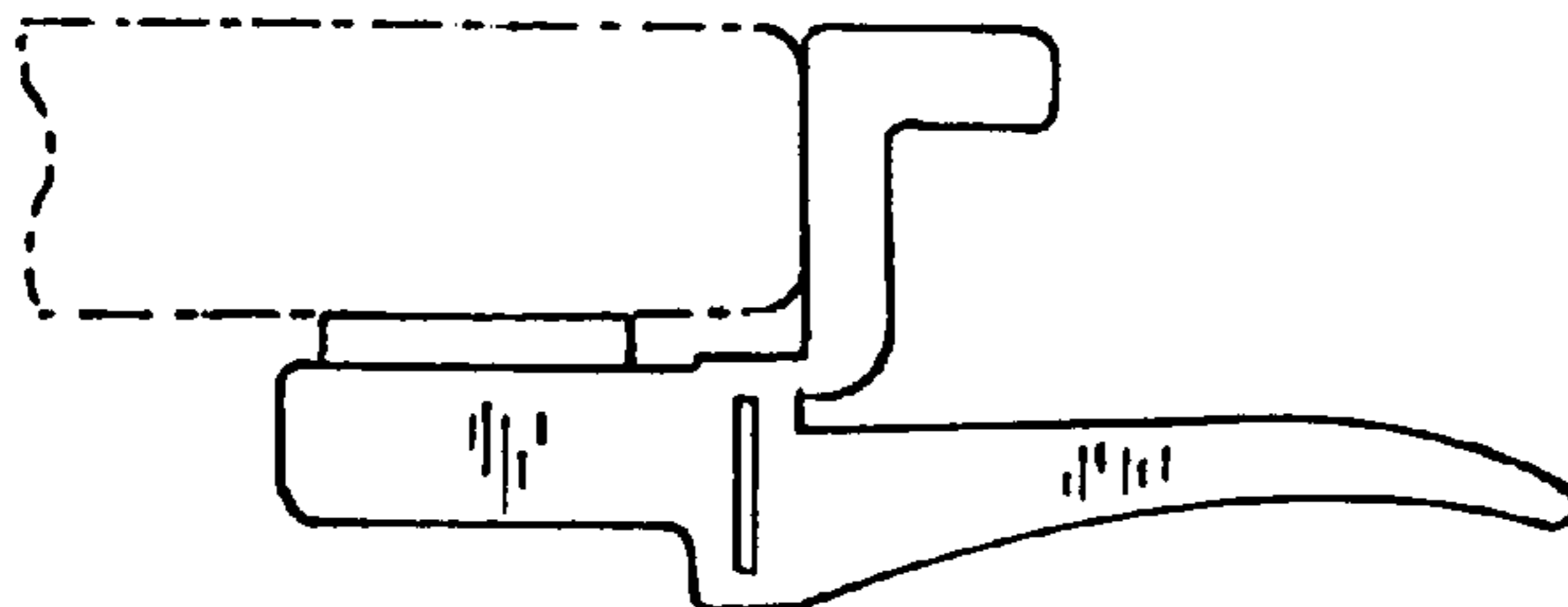


FIG-1

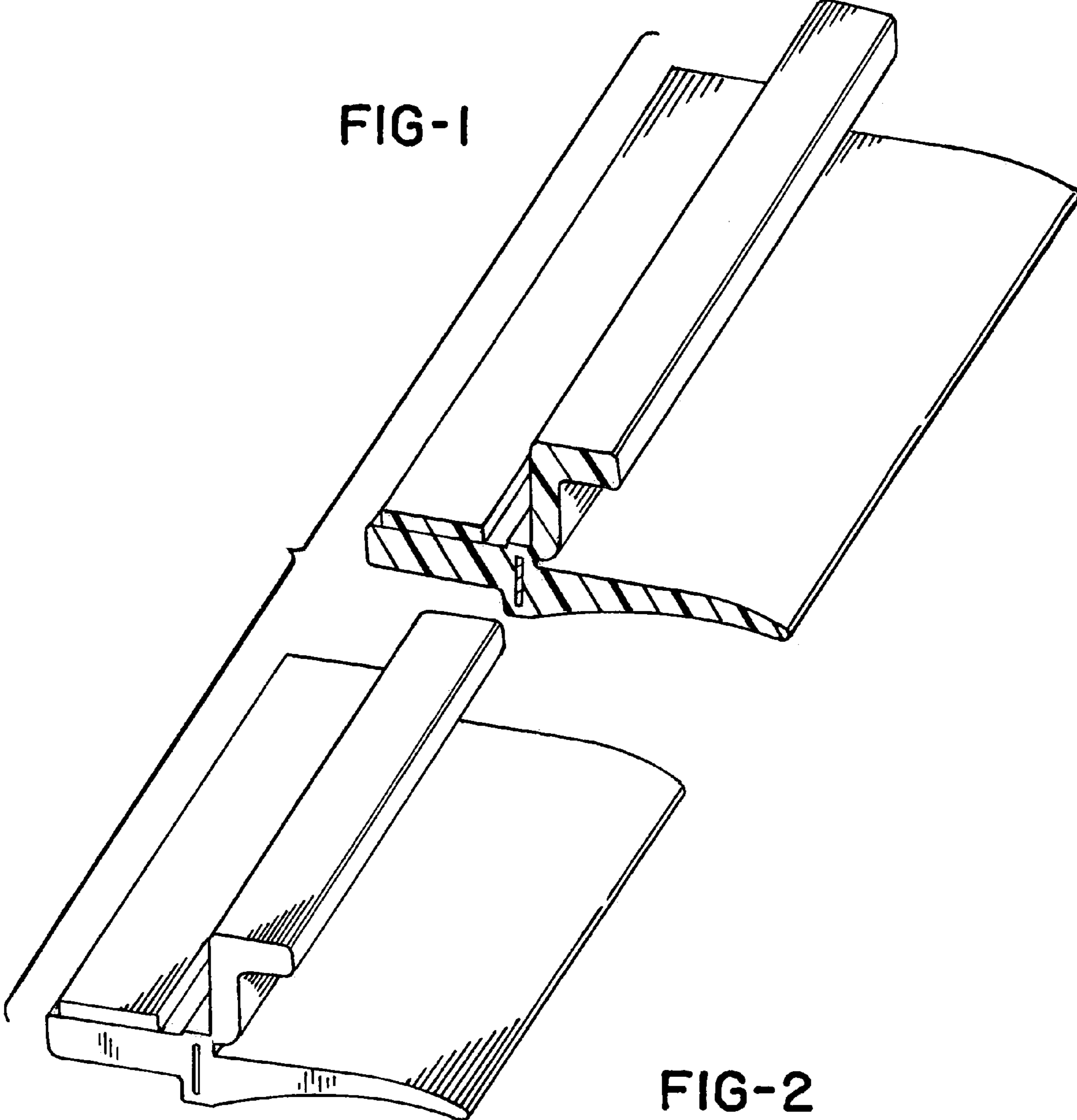


FIG-2

