

US00D597897S

(12) **United States Design Patent**
Wagner et al.

(10) **Patent No.:** **US D597,897 S**
(45) **Date of Patent:** **** Aug. 11, 2009**

(54) **VEHICLE GRILLE**

(75) Inventors: **Lance R. Wagner**, Lake Orion, MI
(US); **Mark C. Trostle**, Clarkston, MI
(US); **Ryan C. Nagode**, West
Bloomfield, MI (US)

(73) Assignee: **Chrysler LLC**, Auburn Hills, MI (US)

(**) Term: **14 Years**

(21) Appl. No.: **29/323,478**

(22) Filed: **Aug. 26, 2008**

Related U.S. Application Data

(63) Continuation-in-part of application No. 29/302,967,
filed on Jan. 29, 2008, now Pat. No. Des. 586,697.

(51) **LOC (9) Cl.** **12-16**

(52) **U.S. Cl.** **D12/163**

(58) **Field of Classification Search** D12/163,
D12/171, 196, 216, 90-92, 86; 180/68.1,
180/68.6; 296/193.11; D26/28-36; 362/459-468,
362/475-478, 485-487

See application file for complete search history.

(56) **References Cited**

U.S. PATENT DOCUMENTS

D447,983 S 9/2001 Stoddard et al.
D466,051 S 11/2002 Stoddard et al.
D466,052 S 11/2002 Abbott et al.

D516,956 S 3/2006 Bucci et al.
D526,935 S * 8/2006 Wagner et al. D12/91
D540,721 S * 4/2007 Wagner et al. D12/163
D553,049 S 10/2007 Opfer et al.
D567,154 S * 4/2008 Cunningham D12/163
D580,312 S * 11/2008 Opfer et al. D12/163
D584,197 S * 1/2009 Song et al. D12/163

* cited by examiner

Primary Examiner—Melody N Brown

(74) *Attorney, Agent, or Firm*—Ralph E. Smith

(57) **CLAIM**

The ornamental design for a vehicle grille, as shown and described.

DESCRIPTION

FIG. 1 is a front perspective view of a vehicle grille showing our new design;

FIG. 2 is a front view thereof;

FIG. 3 is a top view thereof;

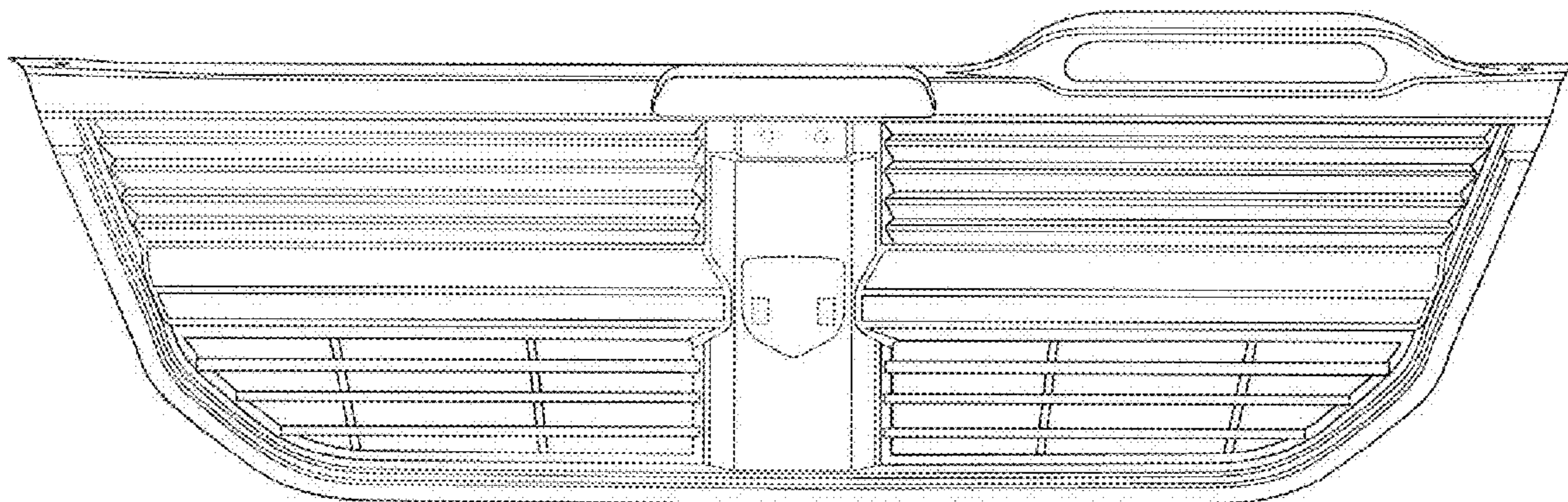
FIG. 4 is a bottom view thereof;

FIG. 5 is a right side view thereof; and,

FIG. 6 is a left side view thereof, the opposite side being a mirror image thereof.

It will be understood that the broken lines presented in the drawings are for illustration only, and do not form a part of the claimed design.

1 Claim, 6 Drawing Sheets



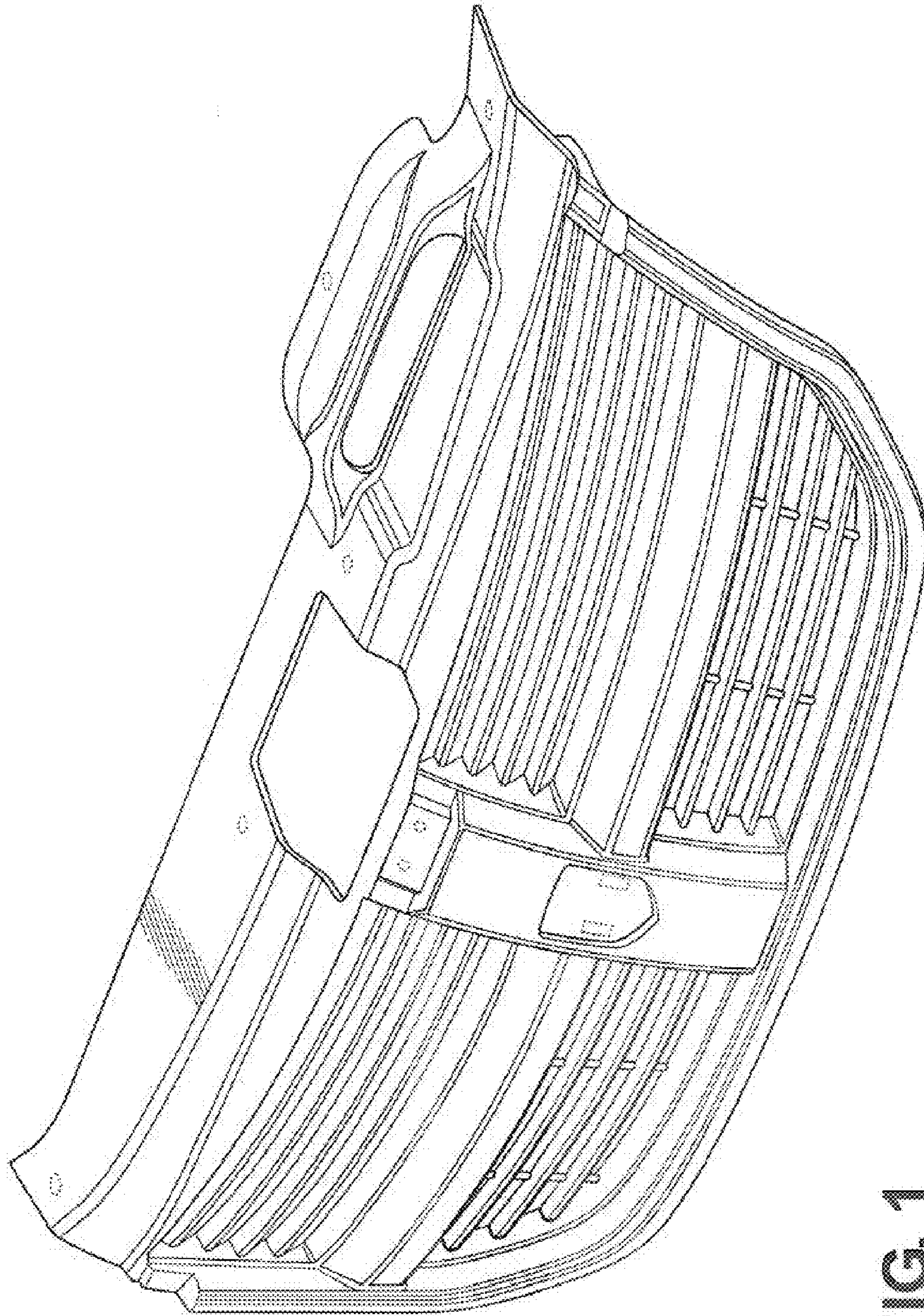


FIG. 1

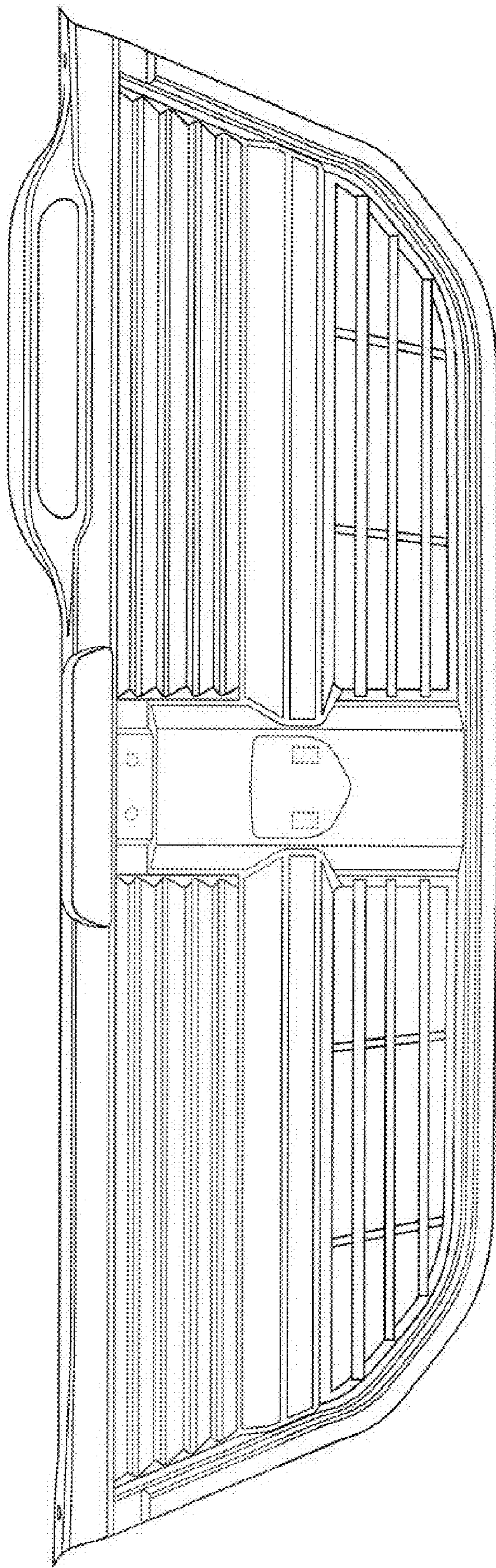


FIG. 2

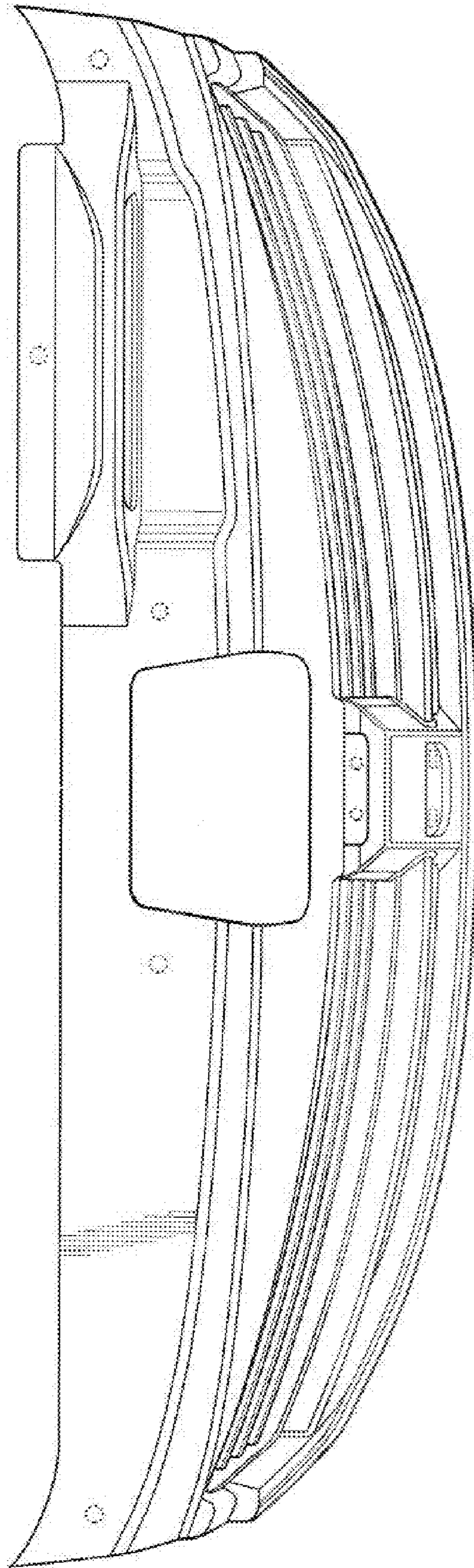


FIG. 3

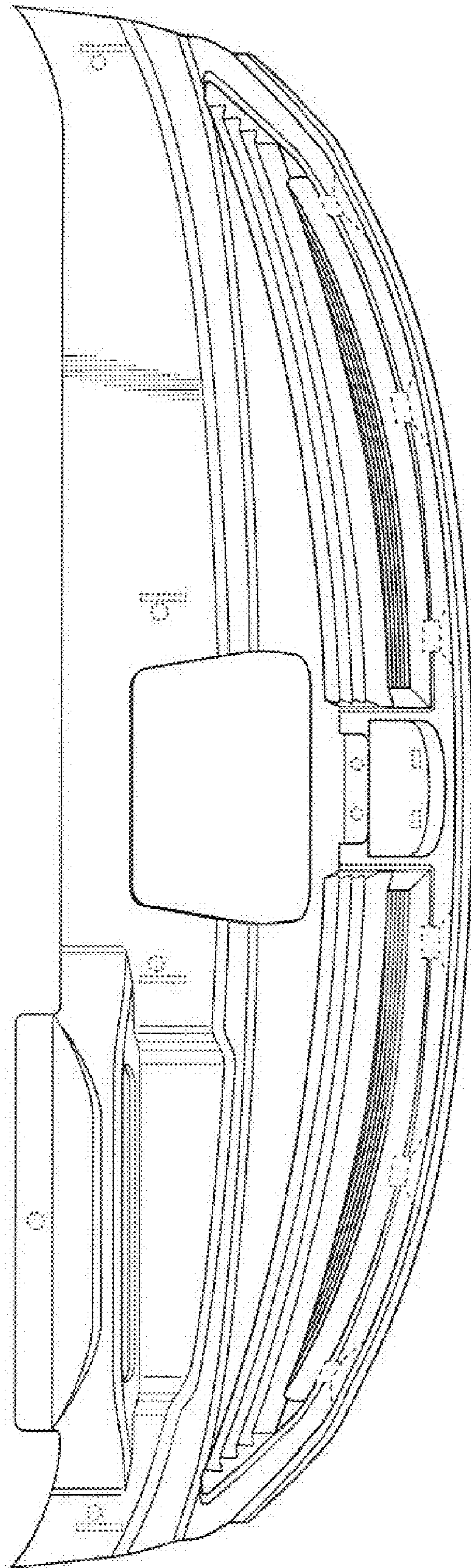


FIG. 4

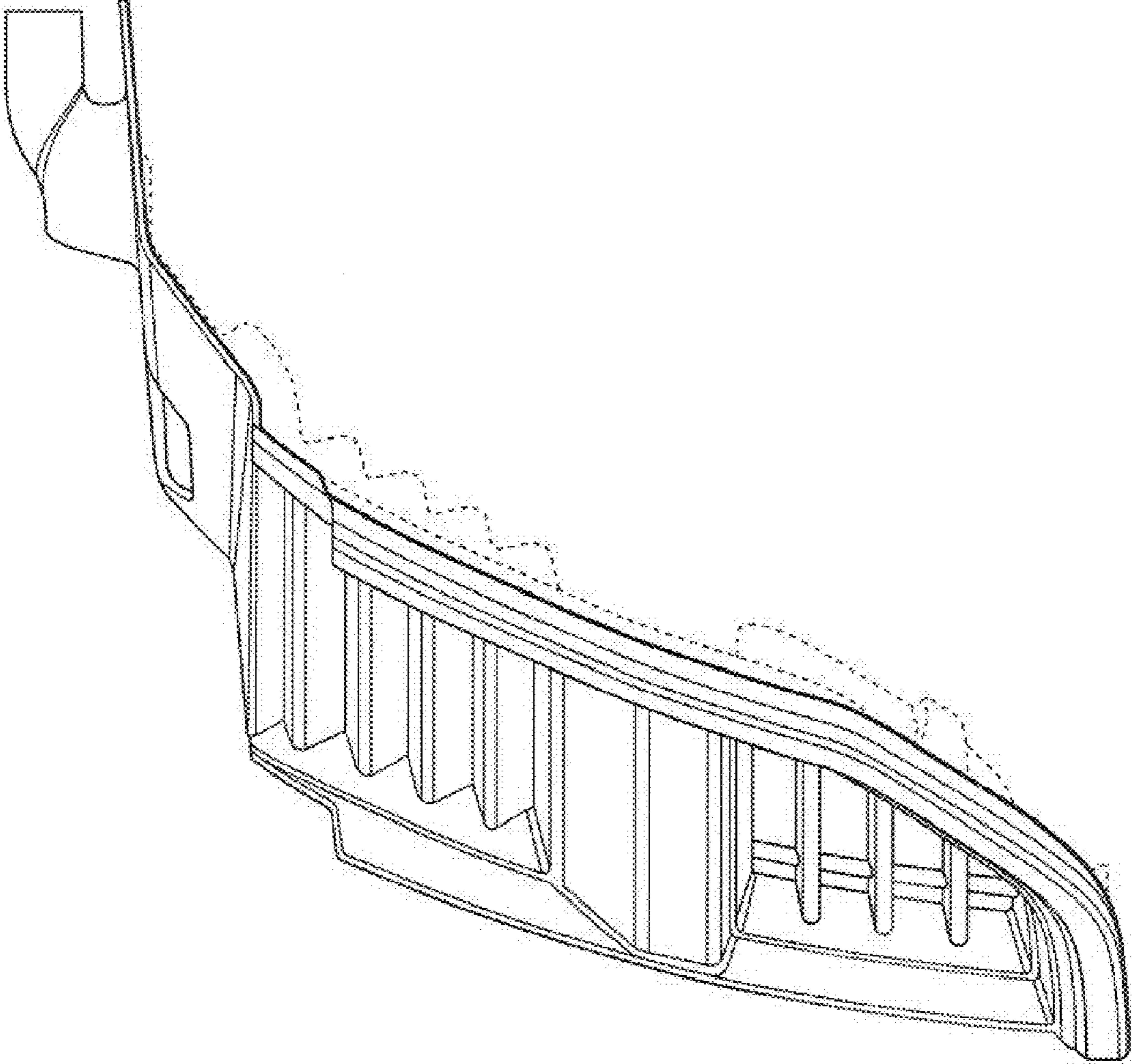


FIG. 5

FIG. 6

