



US00D597895S

(12) **United States Design Patent**  
**Graham**

(10) **Patent No.:** **US D597,895 S**

(45) **Date of Patent:** **\*\* Aug. 11, 2009**

(54) **PAIR OF BICYCLE HANDLEBAR MITTENS**

(76) Inventor: **Ward H. Graham**, 3305 Ormsby La.,  
Carson City, NV (US) 89704

(\*\*) Term: **14 Years**

(21) Appl. No.: **29/300,950**

(22) Filed: **Jun. 4, 2008**

(51) **LOC (9) Cl.** ..... **12-11**

(52) **U.S. Cl.** ..... **D12/114**

(58) **Field of Classification Search** ..... D12/114,  
D12/111, 126, 178, 110; 74/551.8, 551.9;  
280/288.4, 304.3; 296/78.1; 2/217; D2/610-623  
See application file for complete search history.

(56) **References Cited**

**U.S. PATENT DOCUMENTS**

571,020 A 11/1896 Royce  
1,214,032 A 1/1917 Heineck

(Continued)

**FOREIGN PATENT DOCUMENTS**

FR 2540709 8/1984  
FR 2604868 4/1988

**OTHER PUBLICATIONS**

U.S. Appl. No. 29/300,049, filed Feb. 14, 2008, Graham.

*Primary Examiner*—Robin V Webster

*Assistant Examiner*—Linda Brooks

(74) *Attorney, Agent, or Firm*—Roylance, Abrams, Berdo &  
Goodman, L.L.P.

(57) **CLAIM**

The ornamental design for a pair of bicycle handlebar mittens, as shown and described.

**DESCRIPTION**

The present application is related to U.S. Ser. No. 29/300,049 filed on Feb. 14, 2008 by Applicant for a pair of bicycle handlebar mittens.

FIG. 1 is an elevational view of the right side of the left bicycle handlebar mitten of the pair of bicycle handlebar mittens according to the invention;

FIG. 2 is an elevational view of the left side of the left bicycle handlebar mitten of the pair of bicycle handlebar mittens illustrated in FIG. 1;

FIG. 3 is a top plan view of the left bicycle handlebar mitten of the pair of bicycle handlebar mittens illustrated in FIGS. 1 and 2;

FIG. 4 is a bottom plan view of the left bicycle handlebar mitten of the pair of bicycle handlebar mittens illustrated in FIGS. 1-3;

FIG. 5 is a rear elevational view of the left bicycle handlebar mitten of the pair of bicycle handlebar mittens illustrated in FIGS. 1-4;

FIG. 6 is a front elevational view of the left bicycle handlebar mitten of the pair of bicycle handlebar mittens illustrated in FIGS. 1-5;

FIG. 7 is an elevational view of the left side of the right bicycle handlebar mitten of the pair of bicycle handlebar mittens;

FIG. 8 is an elevational view of the right side of the right bicycle handlebar mitten of the pair of bicycle handlebar mittens illustrated in FIG. 7;

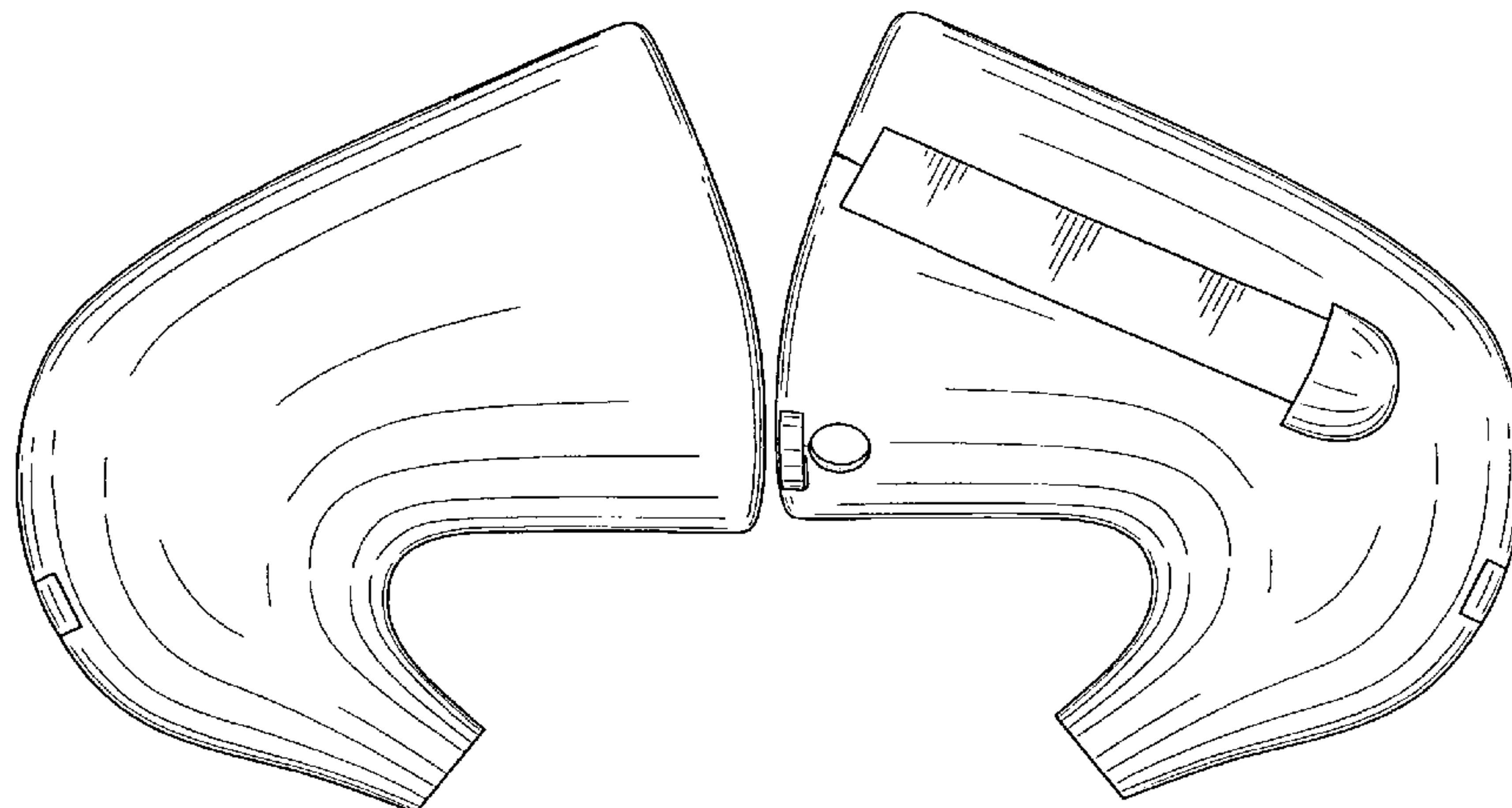
FIG. 9 is a top plan view of the right bicycle handlebar mitten of the pair of bicycle handlebar mittens illustrated in FIGS. 7 and 8;

FIG. 10 is a bottom plan view of the right bicycle handlebar mitten of the pair of bicycle handlebar mittens illustrated in FIGS. 7-9;

FIG. 11 is a rear elevational view of the right bicycle handlebar mitten of the pair of bicycle handlebar mittens illustrated in FIGS. 7-10; and,

FIG. 12 is a front elevational view of the right bicycle handlebar mitten of the pair of bicycle handlebar mittens illustrated in FIGS. 7-11.

**1 Claim, 6 Drawing Sheets**



# US D597,895 S

Page 2

---

## U.S. PATENT DOCUMENTS

2,344,545 A	3/1944	Harder	3,665,515 A	5/1972	Sjostrom, Sr.
2,650,361 A	9/1953	Grothe et al.	5,343,563 A	9/1994	Goucher et al.
			D388,026 S	12/1997	DeFur
			5,740,700 A	4/1998	Redmond

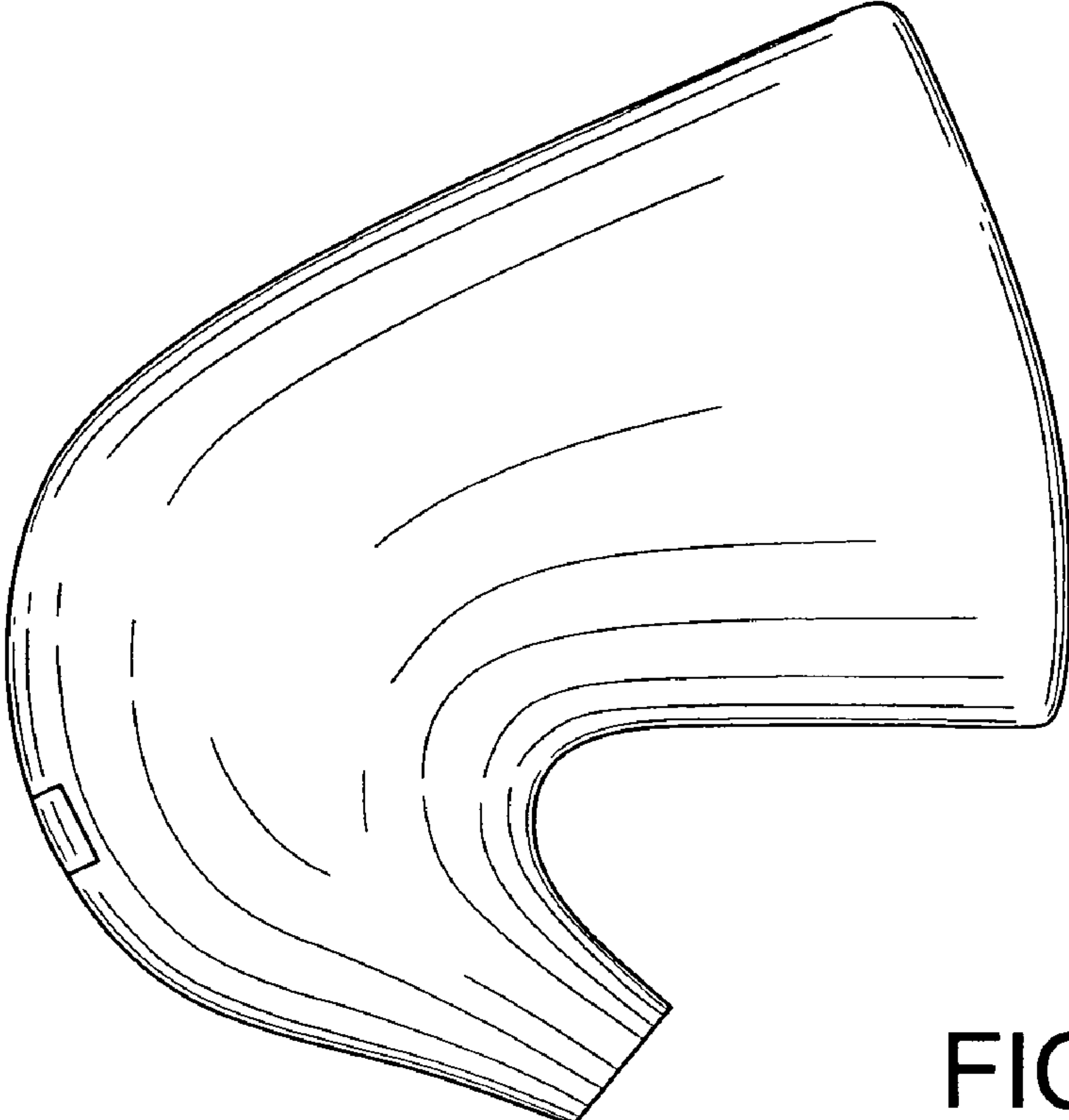


FIG. 1

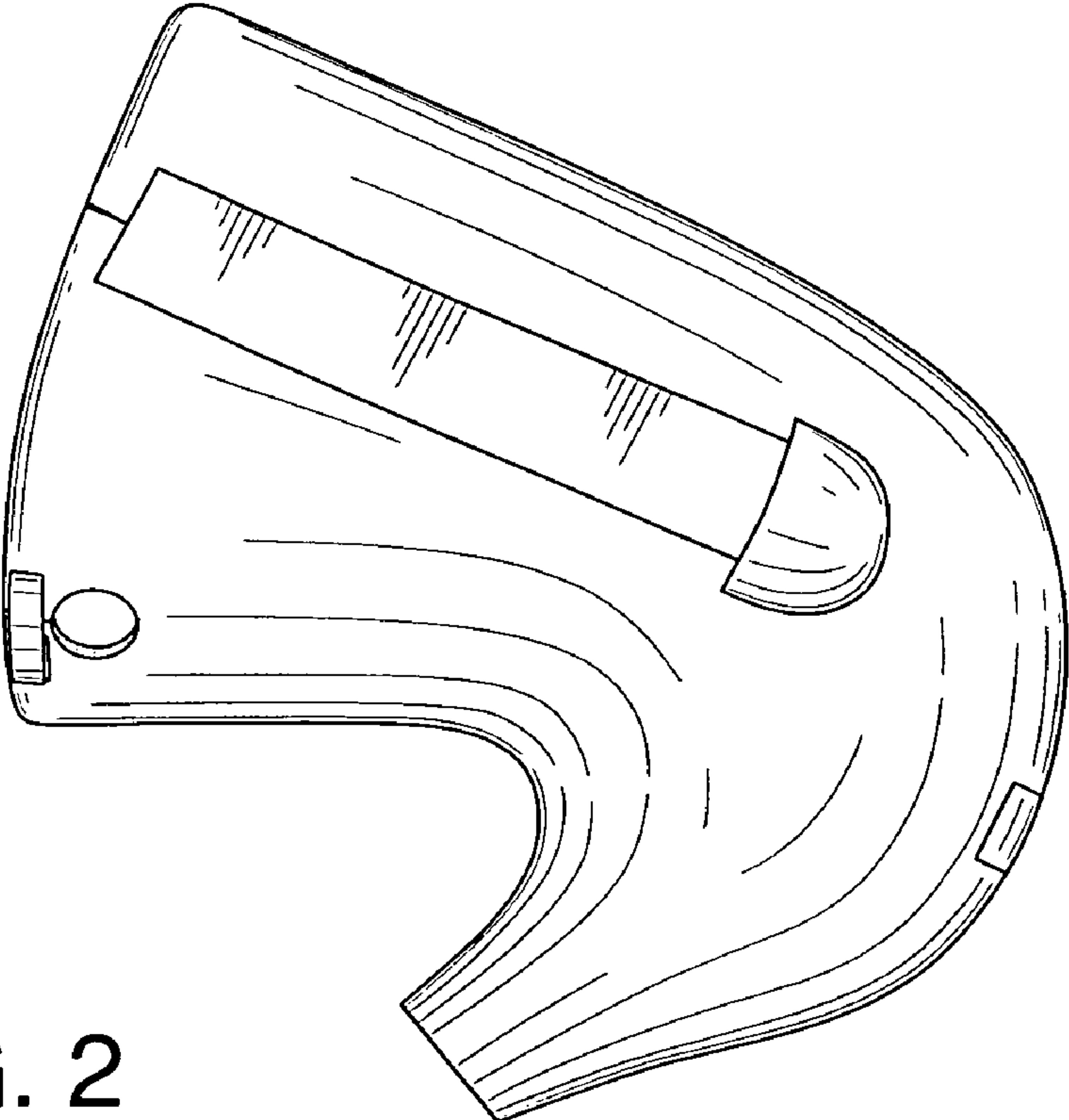


FIG. 2

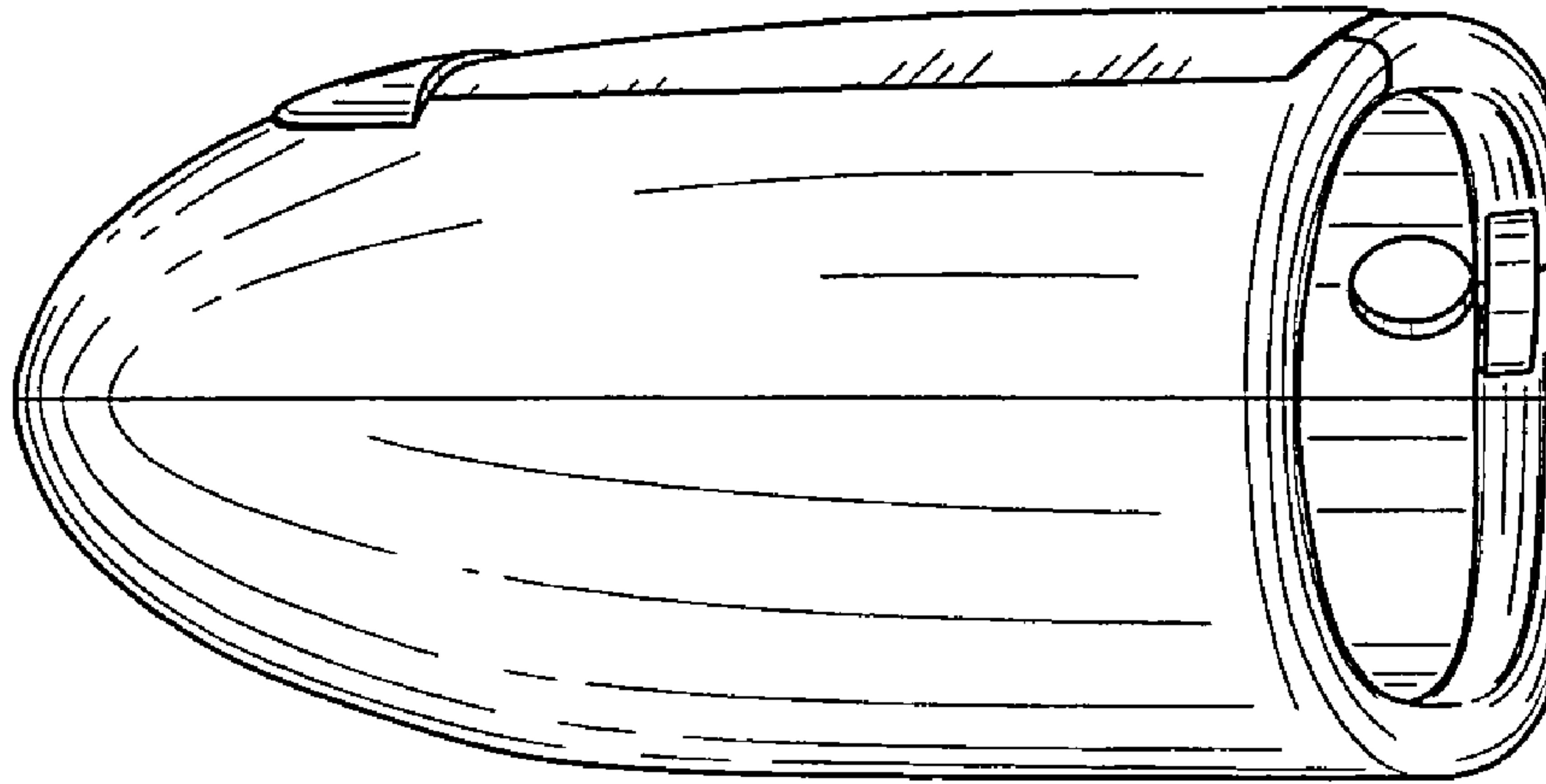


FIG. 3

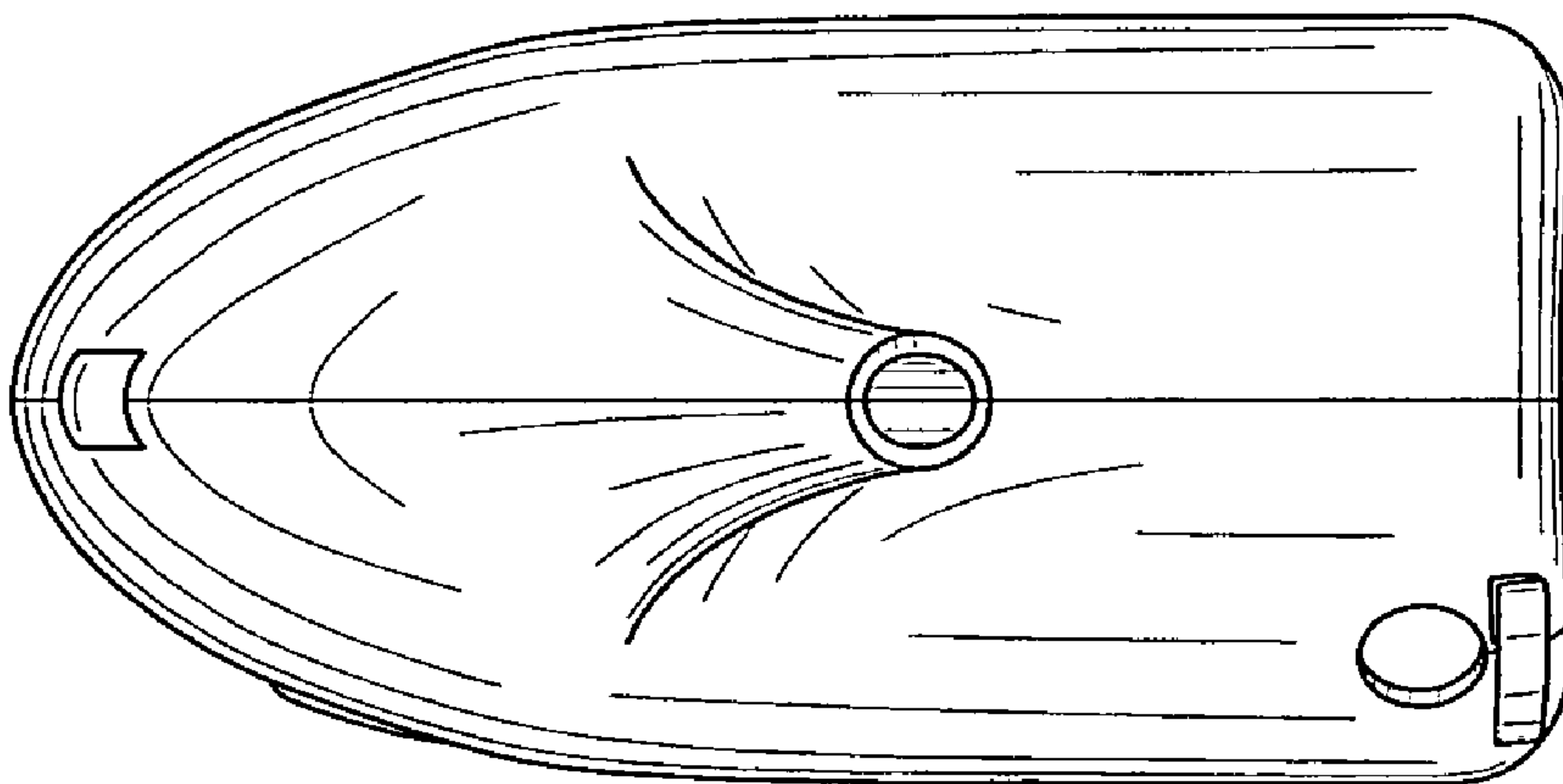


FIG. 4

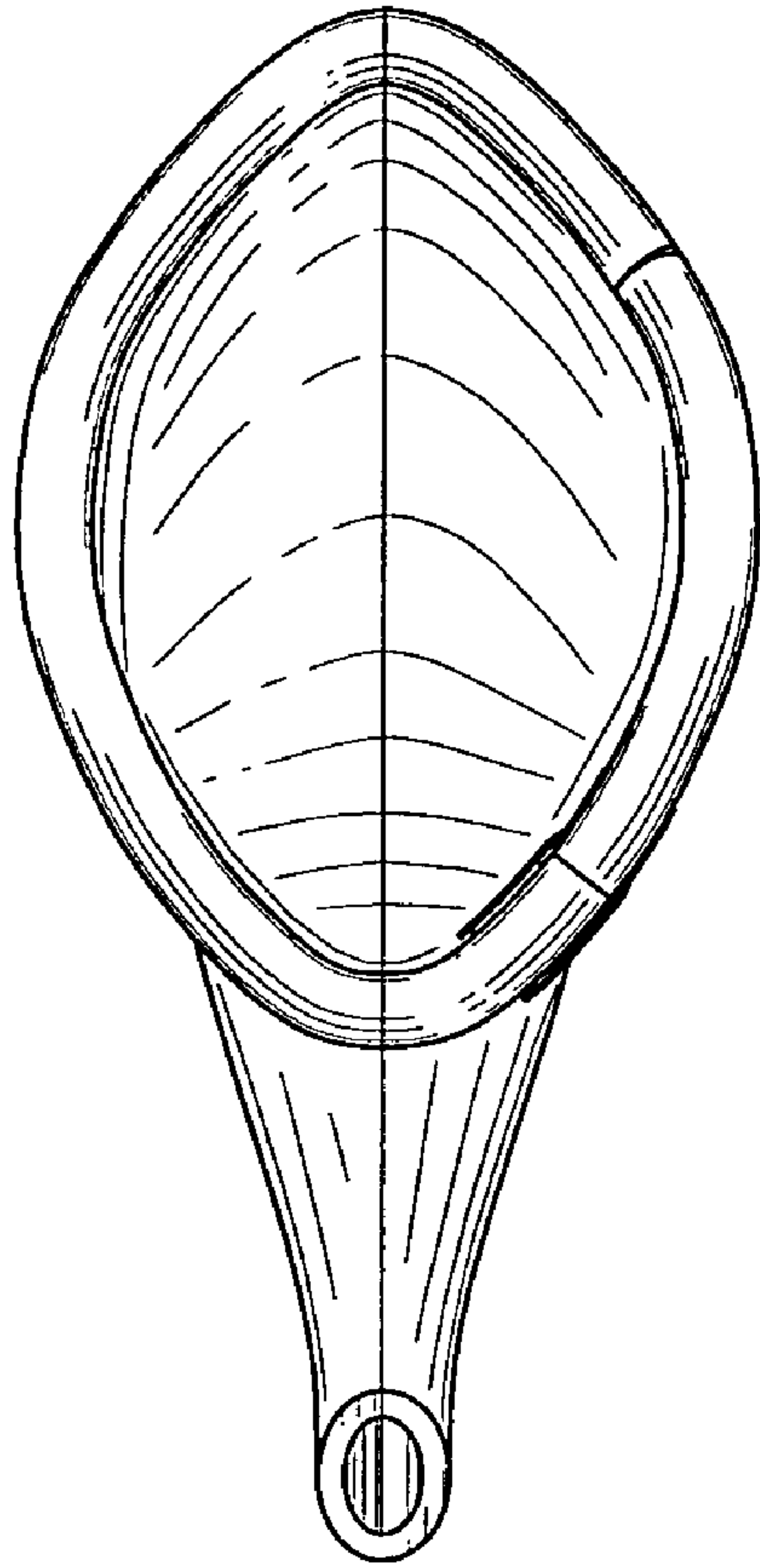


FIG. 5

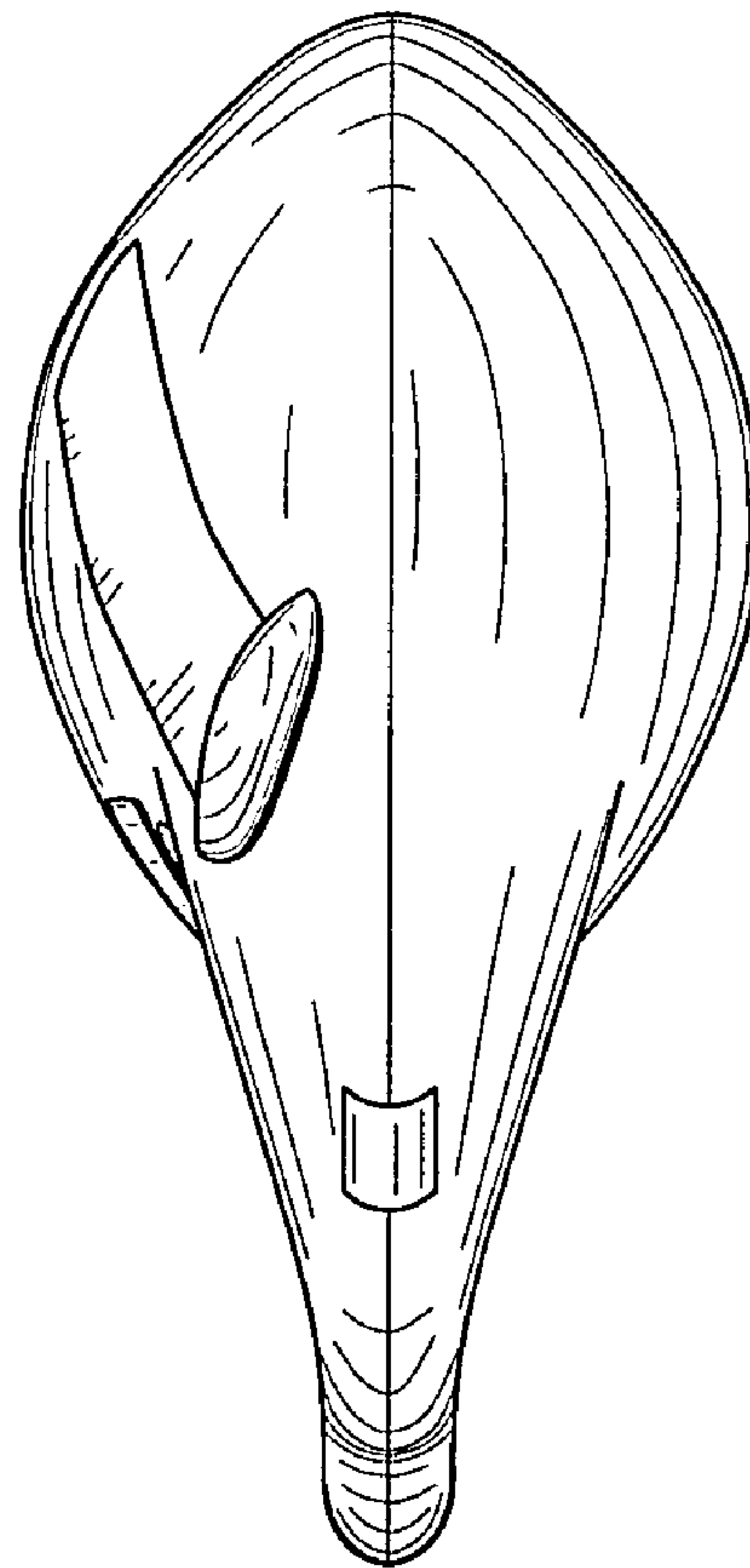


FIG. 6



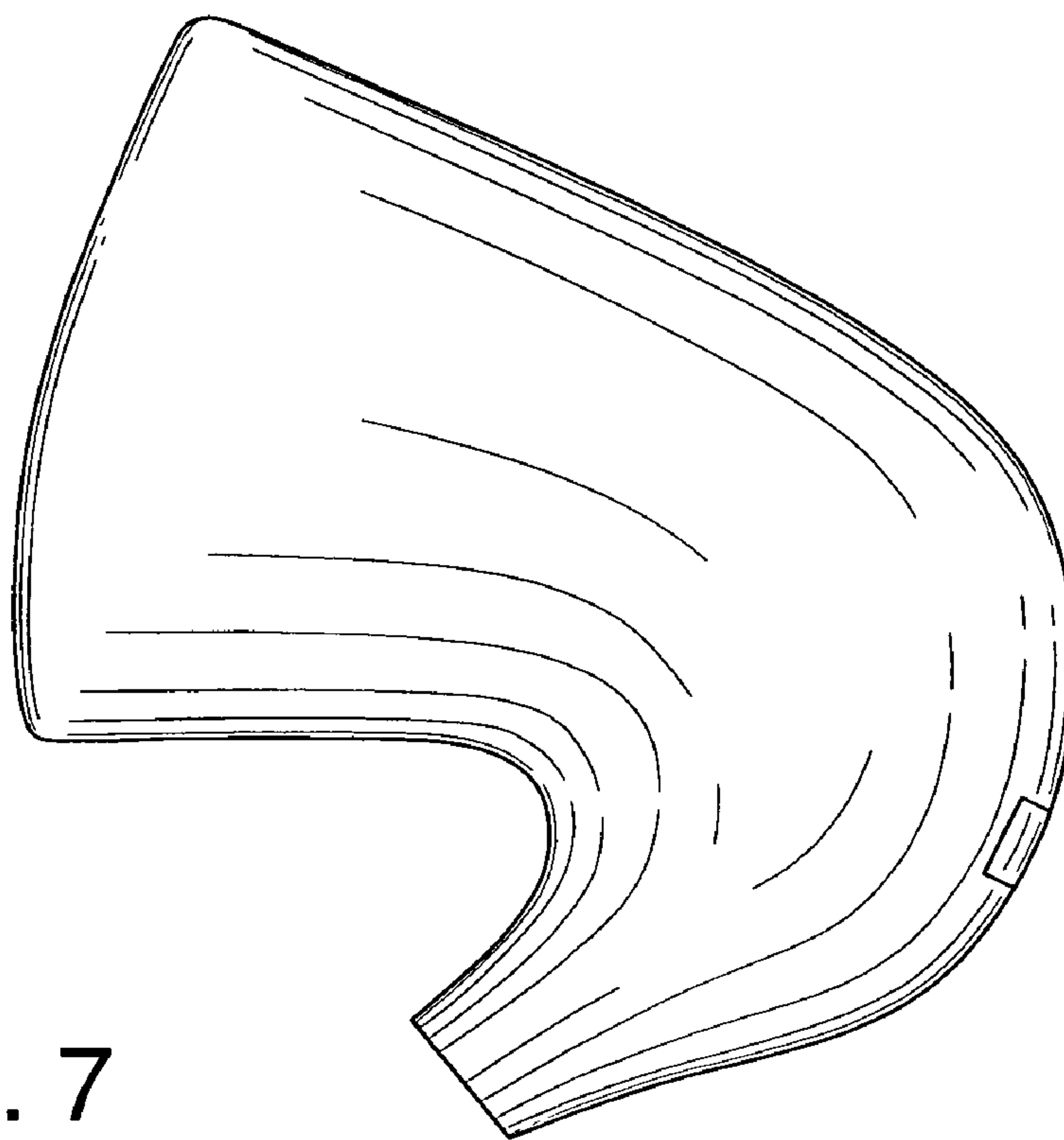


FIG. 7

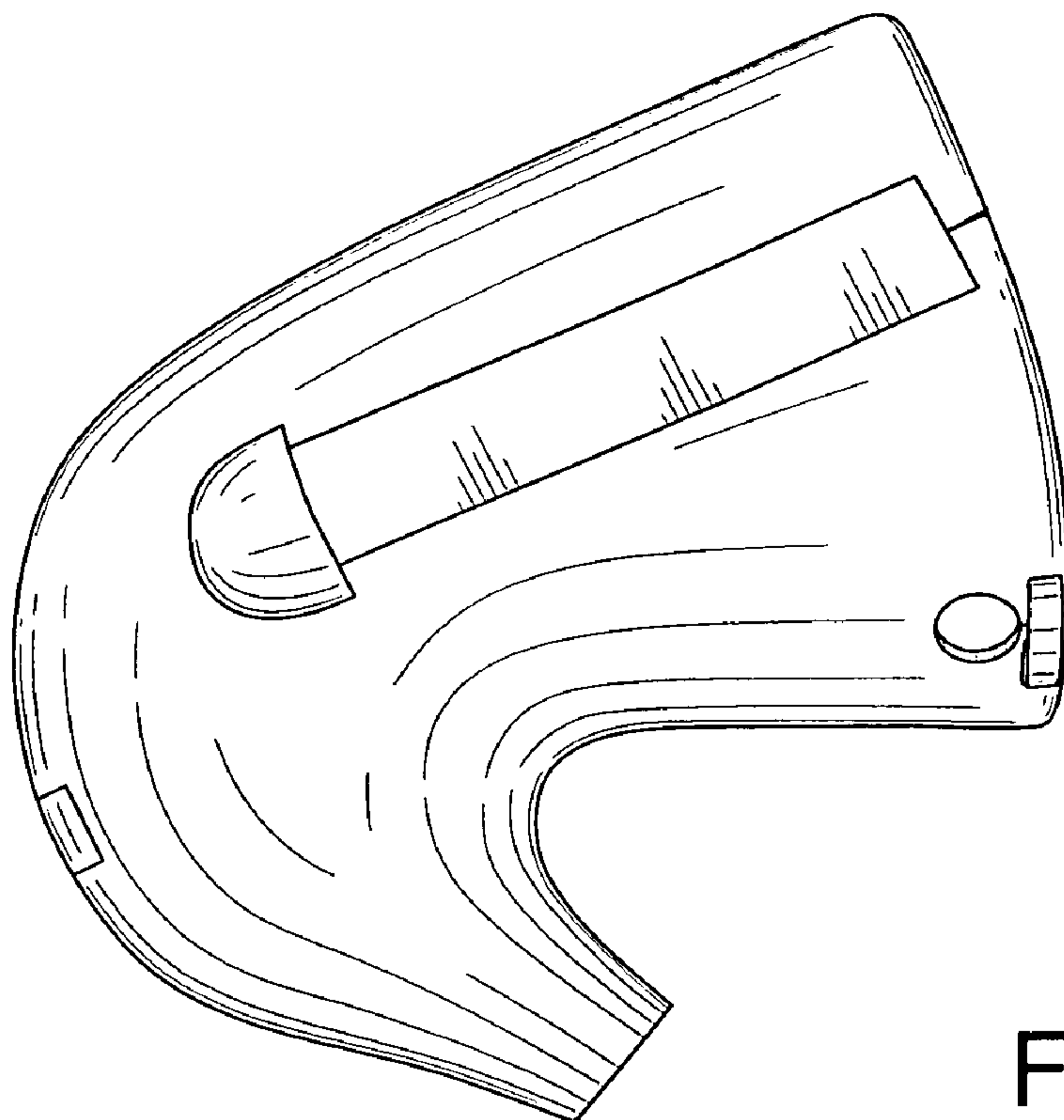


FIG. 8

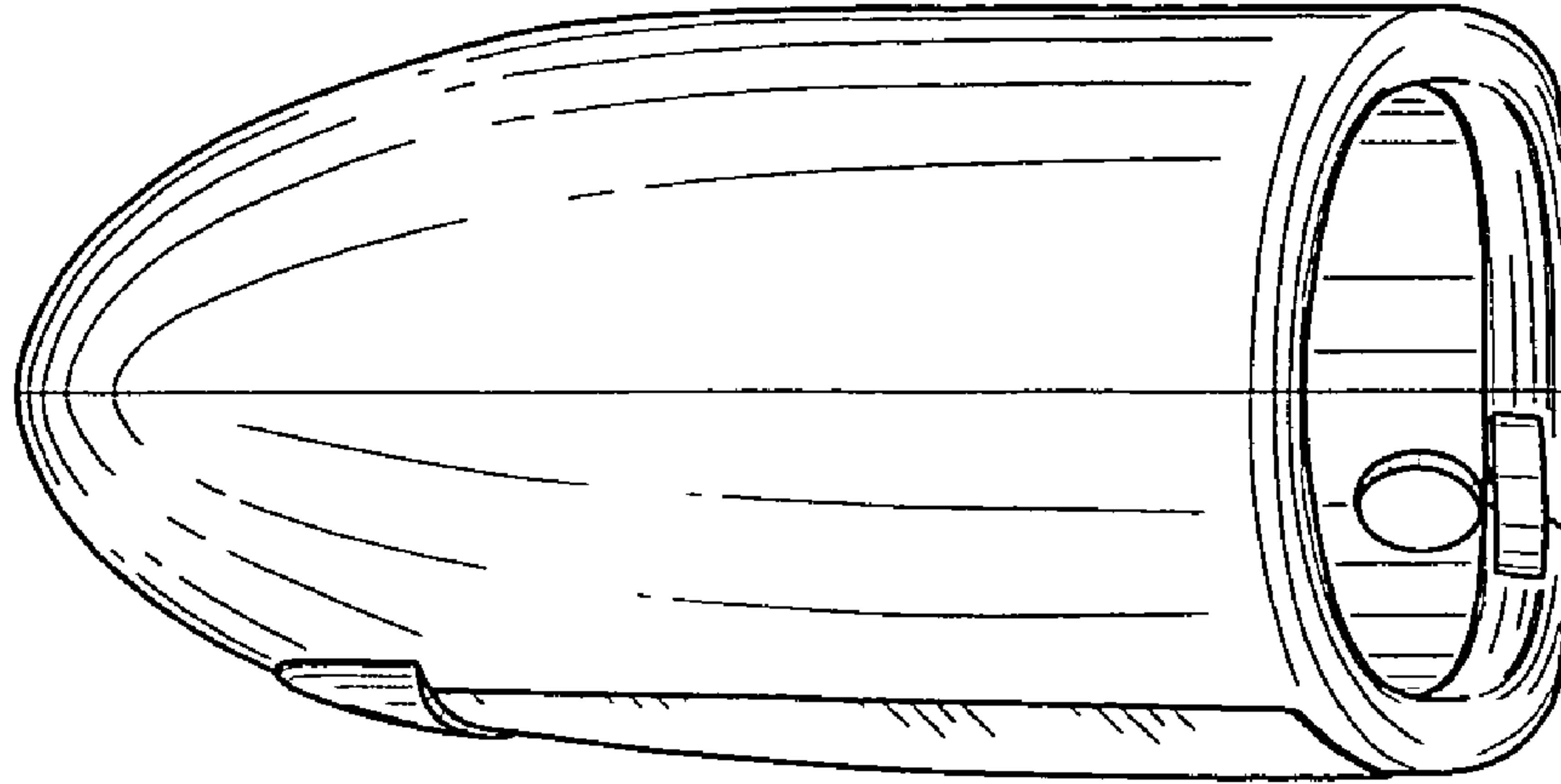


FIG. 9

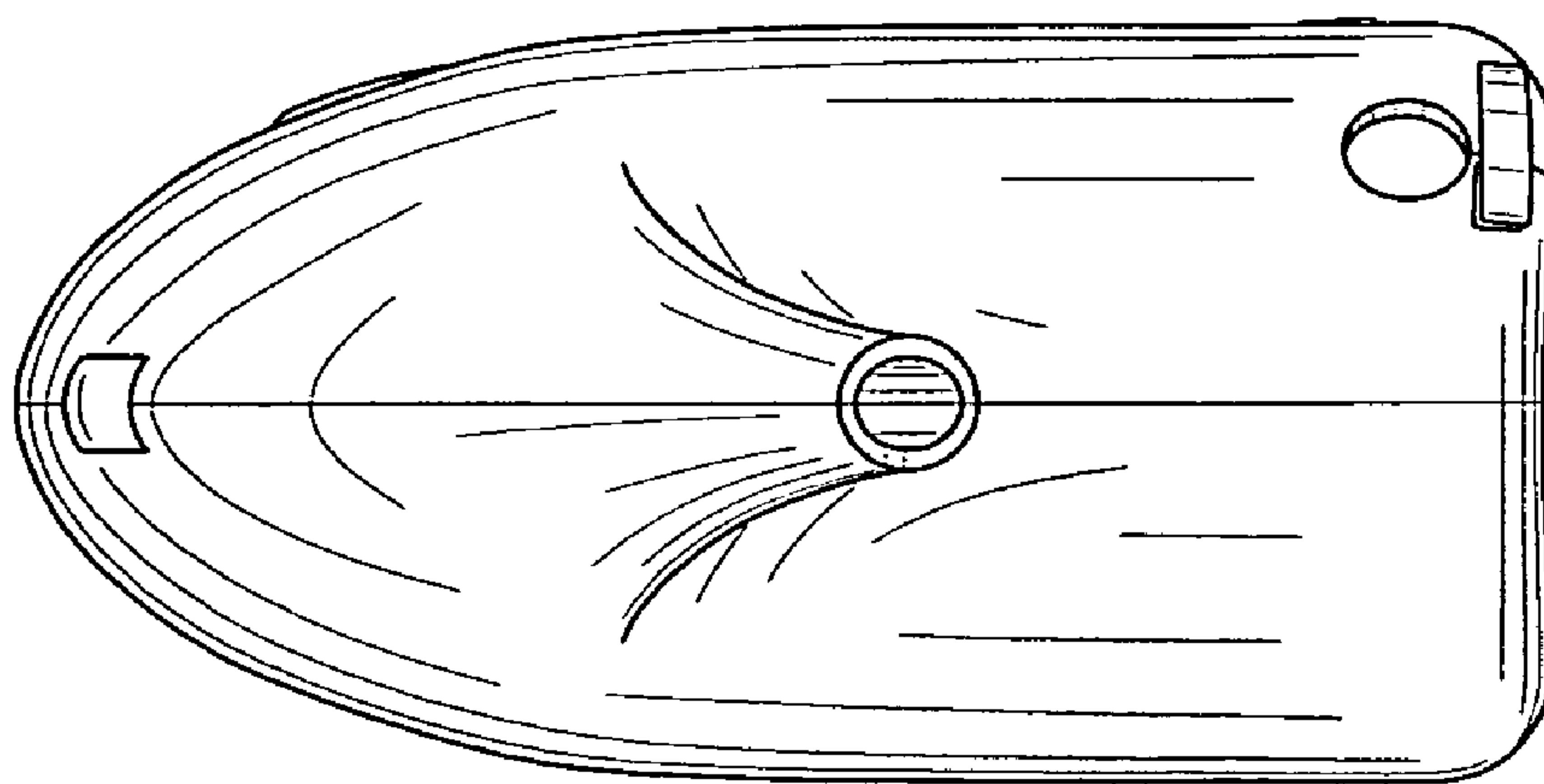


FIG. 10

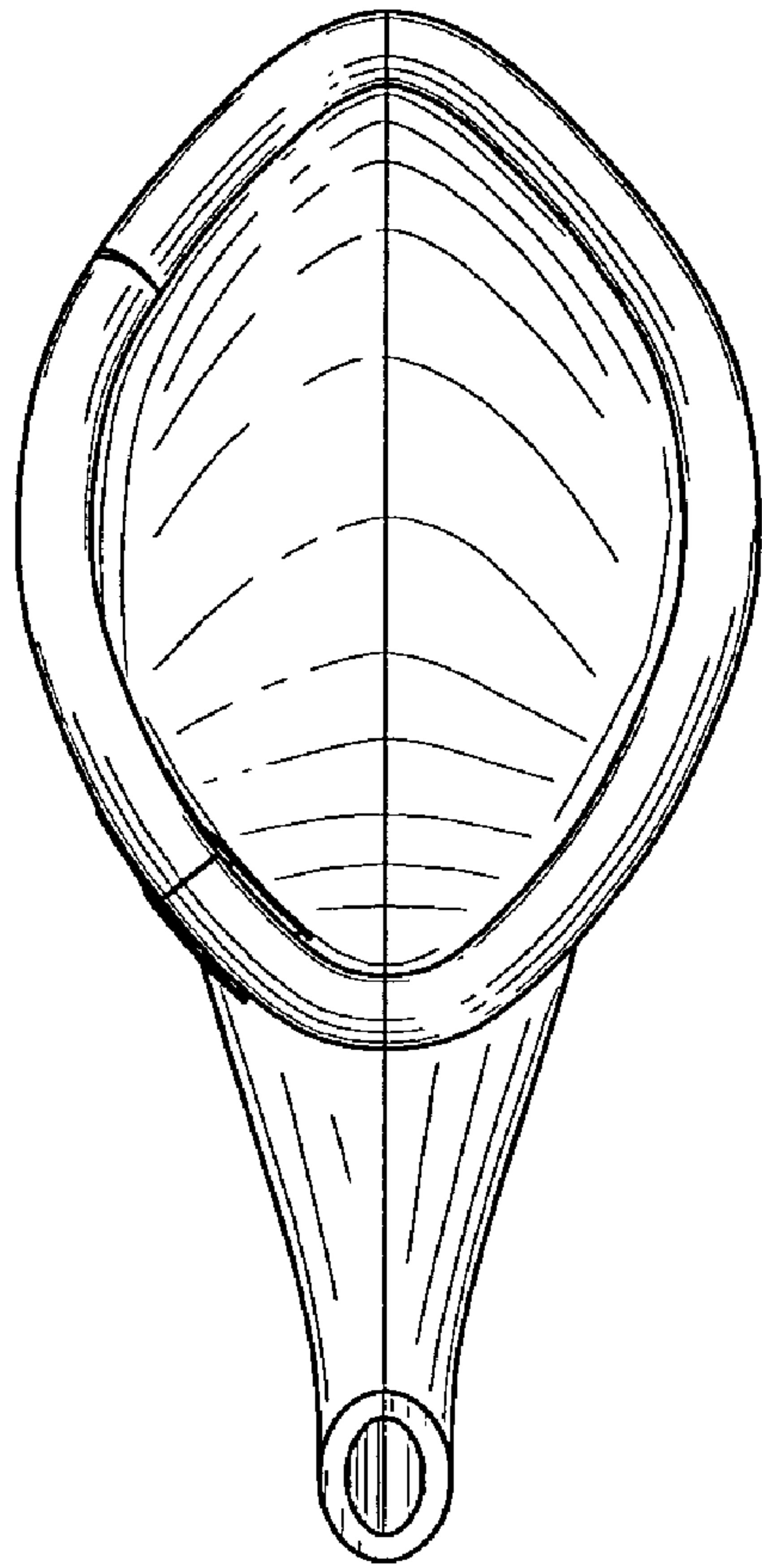


FIG. 11

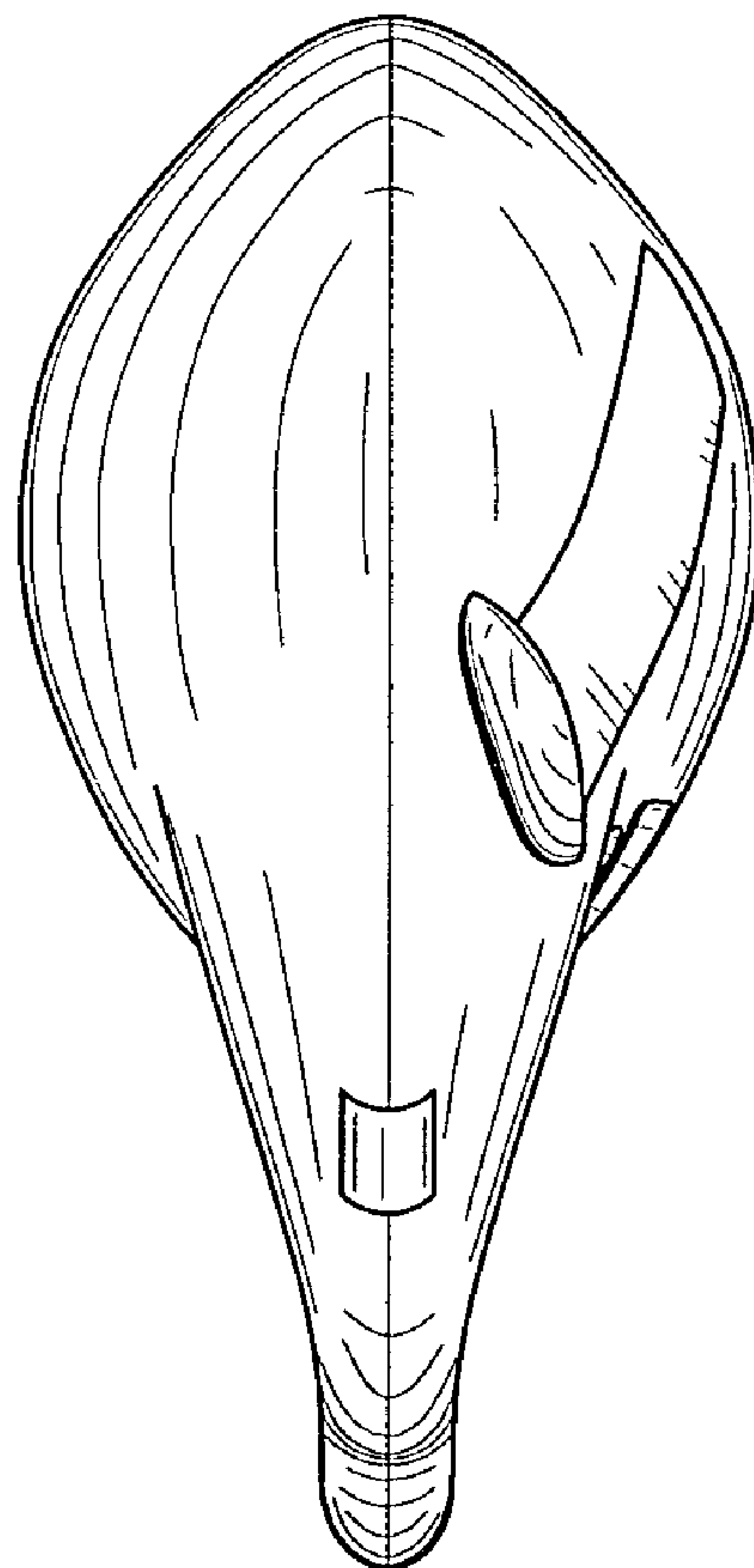


FIG. 12