



US00D597893S

(12) **United States Design Patent**
Hung

(10) **Patent No.:** **US D597,893 S**

(45) **Date of Patent:** **** Aug. 11, 2009**

(54) **MOTORCYCLE**

(75) Inventor: **Mu-Chen Hung**, Kaohsiung Hsien (TW)

(73) Assignee: **Taiwan Golden Bee Co., Ltd.**,
Kaohsiung Hsien (TW)

(**) Term: **14 Years**

(21) Appl. No.: **29/324,524**

(22) Filed: **Sep. 15, 2008**

(51) **LOC (9) Cl.** **12-11**

(52) **U.S. Cl.** **D12/110**

(58) **Field of Classification Search** D12/110;
180/219, 220, 225, 229

See application file for complete search history.

(56) **References Cited**

U.S. PATENT DOCUMENTS

D443,849 S *	6/2001	Chen	D12/110
D455,677 S *	4/2002	Kokubu et al.	D12/110
D488,102 S *	4/2004	Shimokawa et al.	D12/110
D521,415 S *	5/2006	Kojima et al.	D12/110
D576,921 S *	9/2008	Tong	D12/110

* cited by examiner

Primary Examiner—Robin V Webster

Assistant Examiner—Linda Brooks

(74) *Attorney, Agent, or Firm*—Leong C. Lei

(57) **CLAIM**

The ornamental design for a motorcycle, as shown and described.

DESCRIPTION

FIG. 1 is a front perspective view of a motorcycle showing my new design;

FIG. 2 is a front elevational view thereof;

FIG. 3 is a rear elevational view thereof;

FIG. 4 is a left side elevational view thereof;

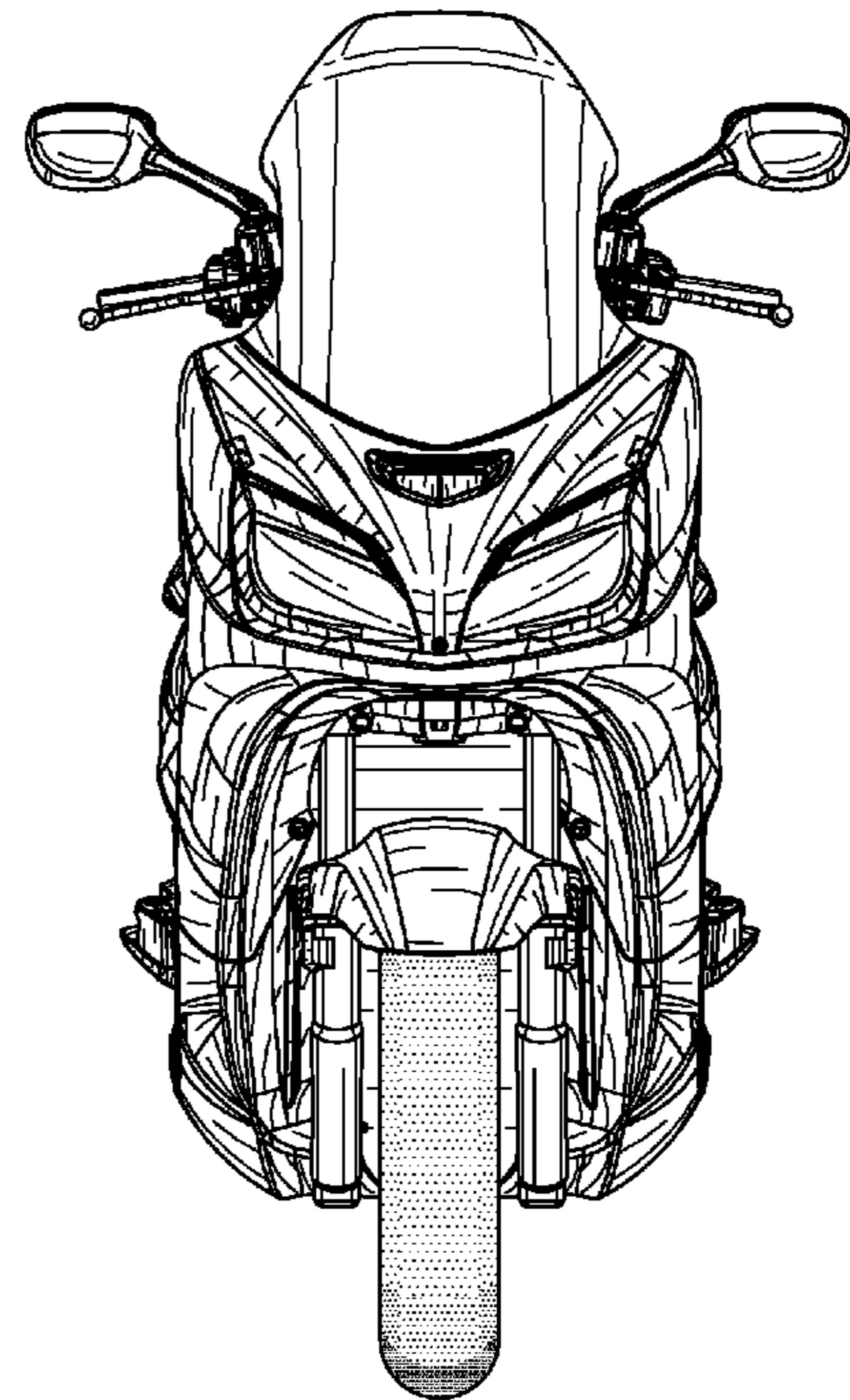
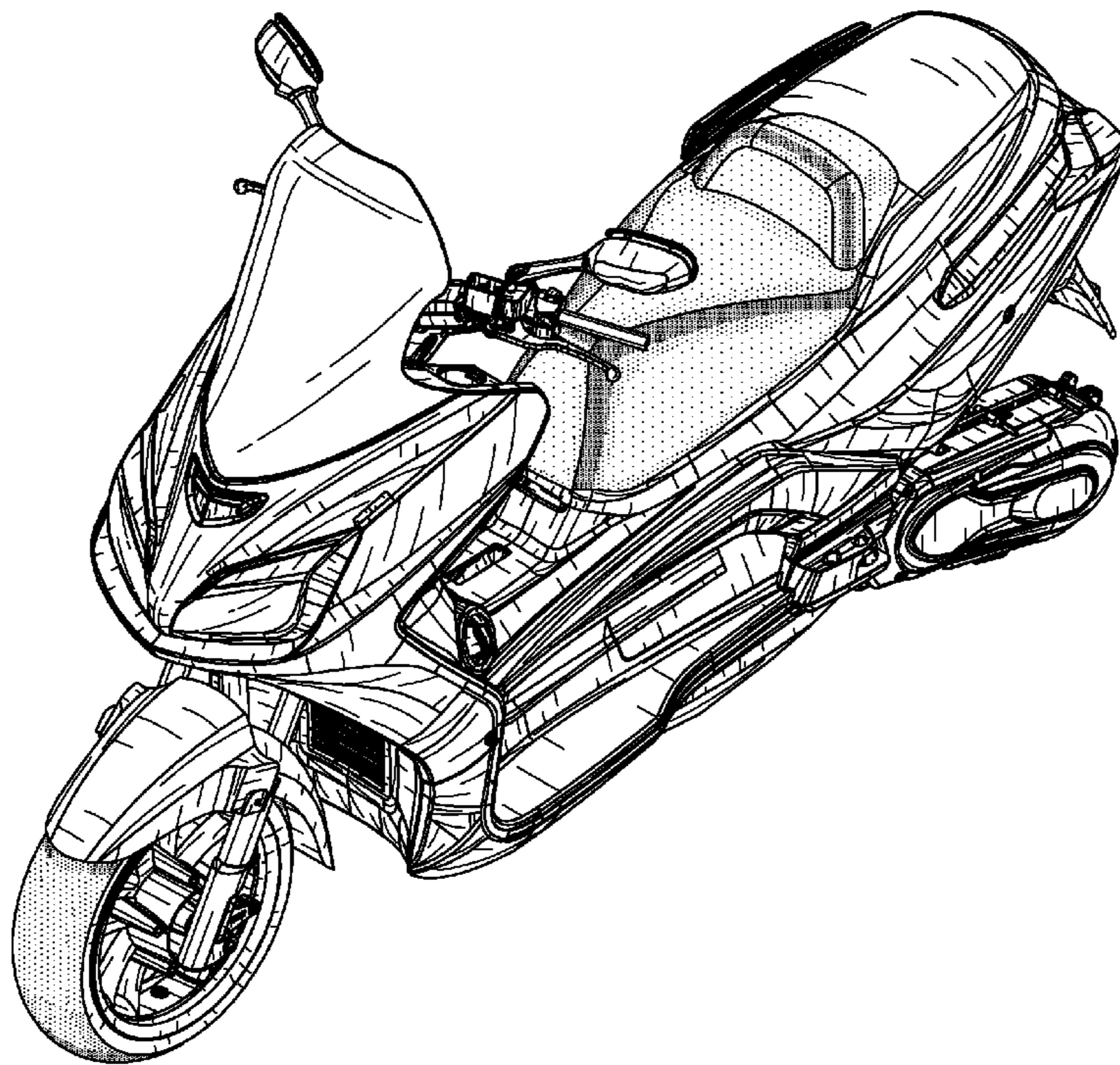
FIG. 5 is a right side elevational view thereof;

FIG. 6 is a top plan view thereof; and,

FIG. 7 is a bottom plan view thereof.

The portions shown in broken lines form no part of the claimed design.

1 Claim, 7 Drawing Sheets



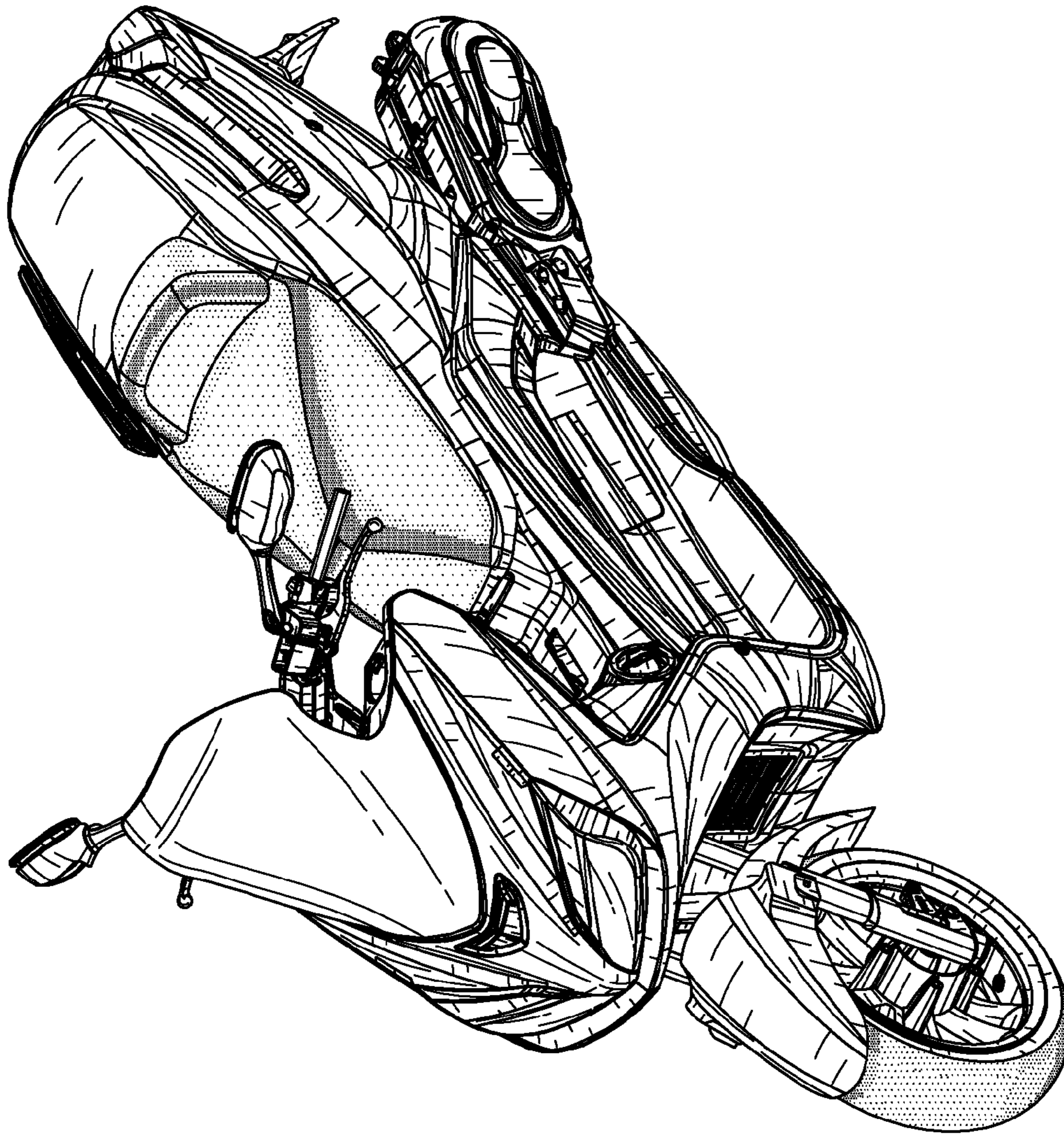


FIG. 1

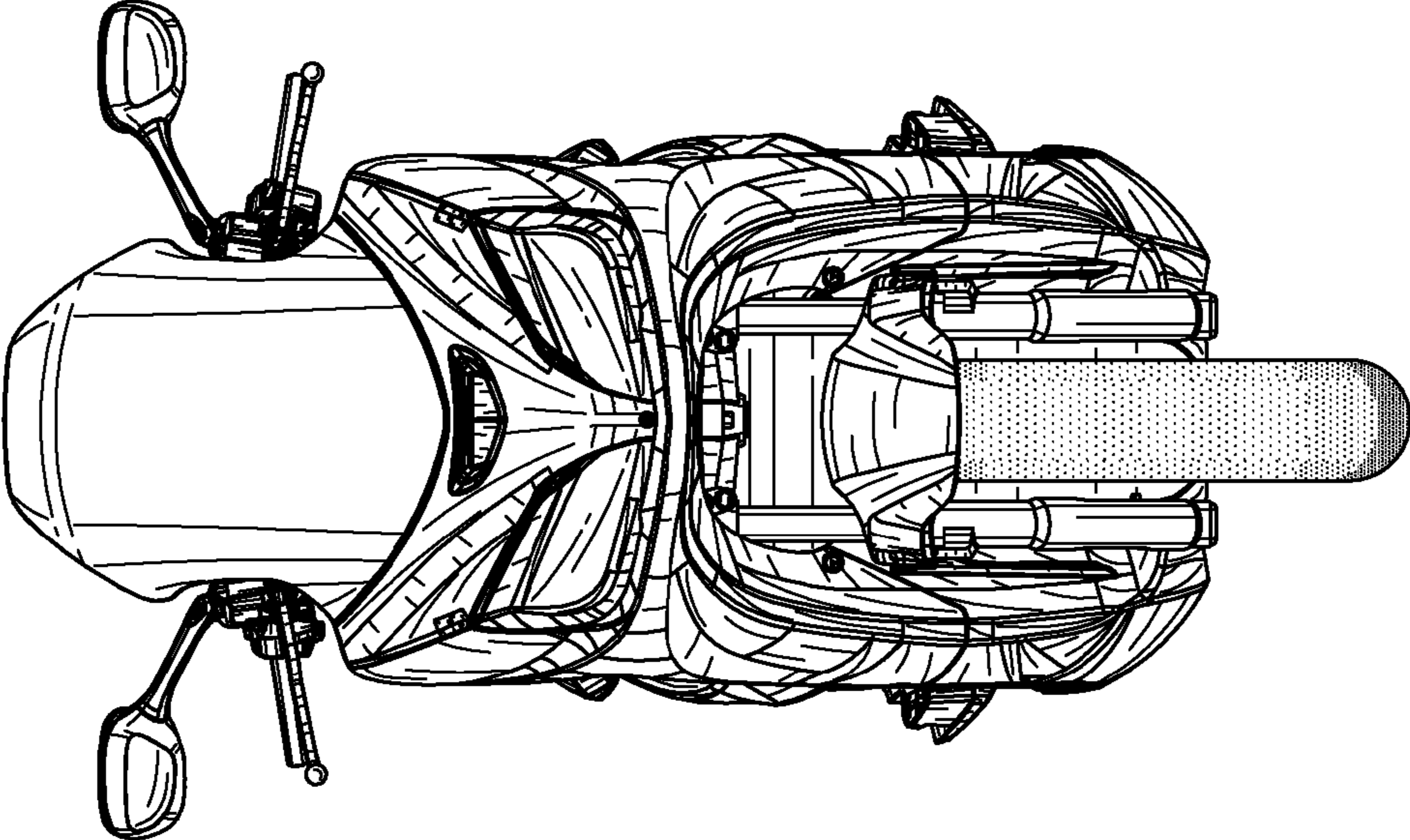


FIG. 2

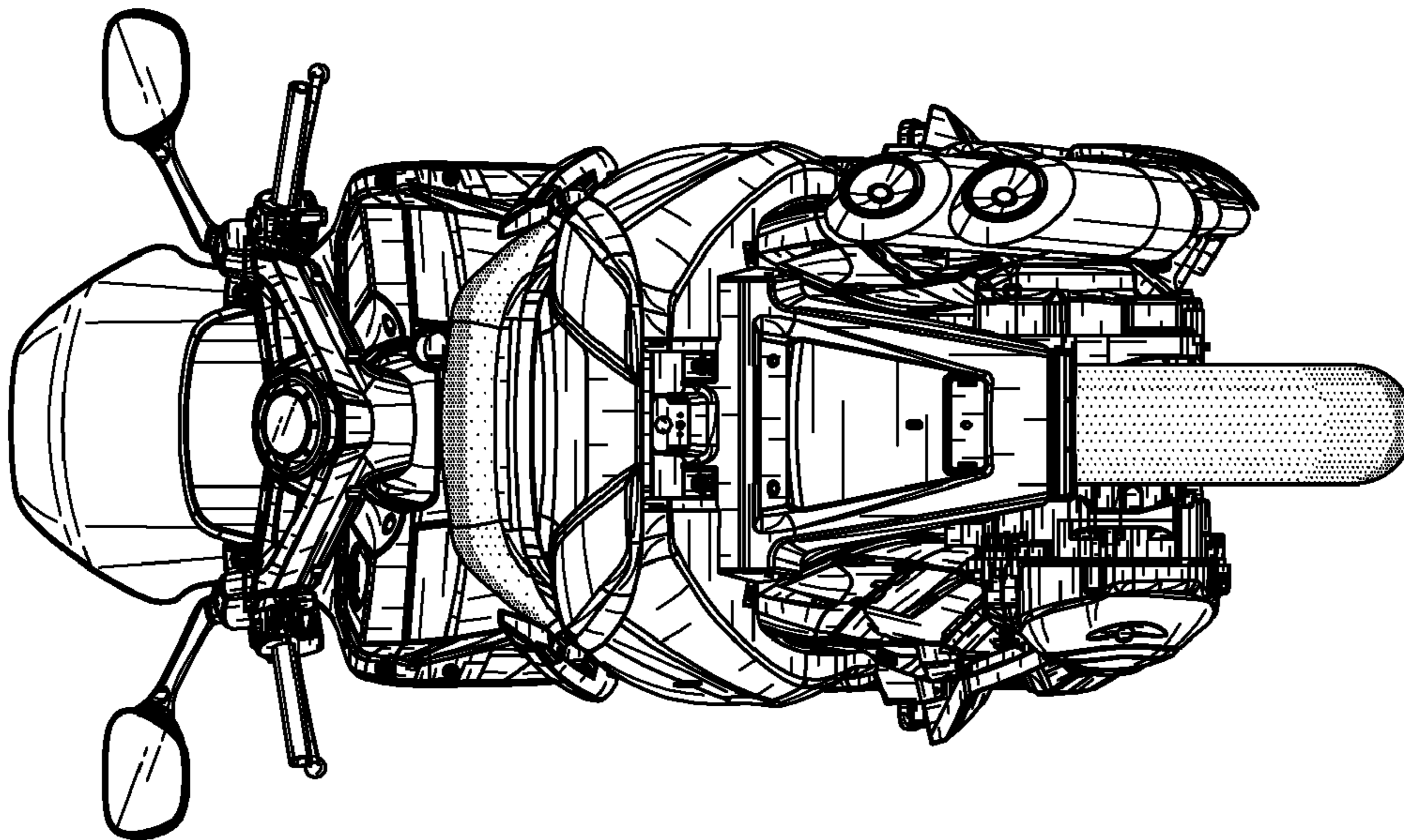


FIG. 3

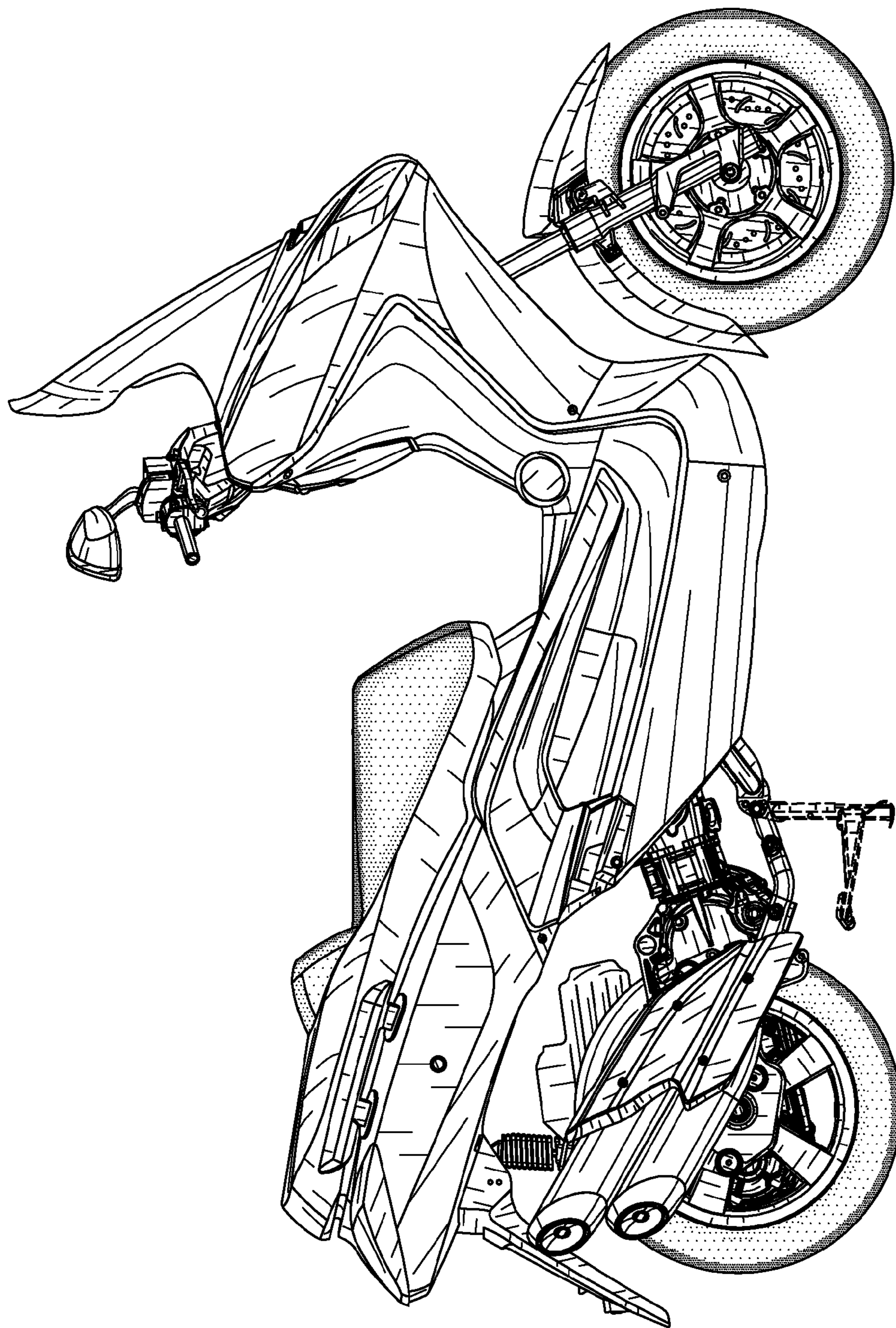


FIG. 4

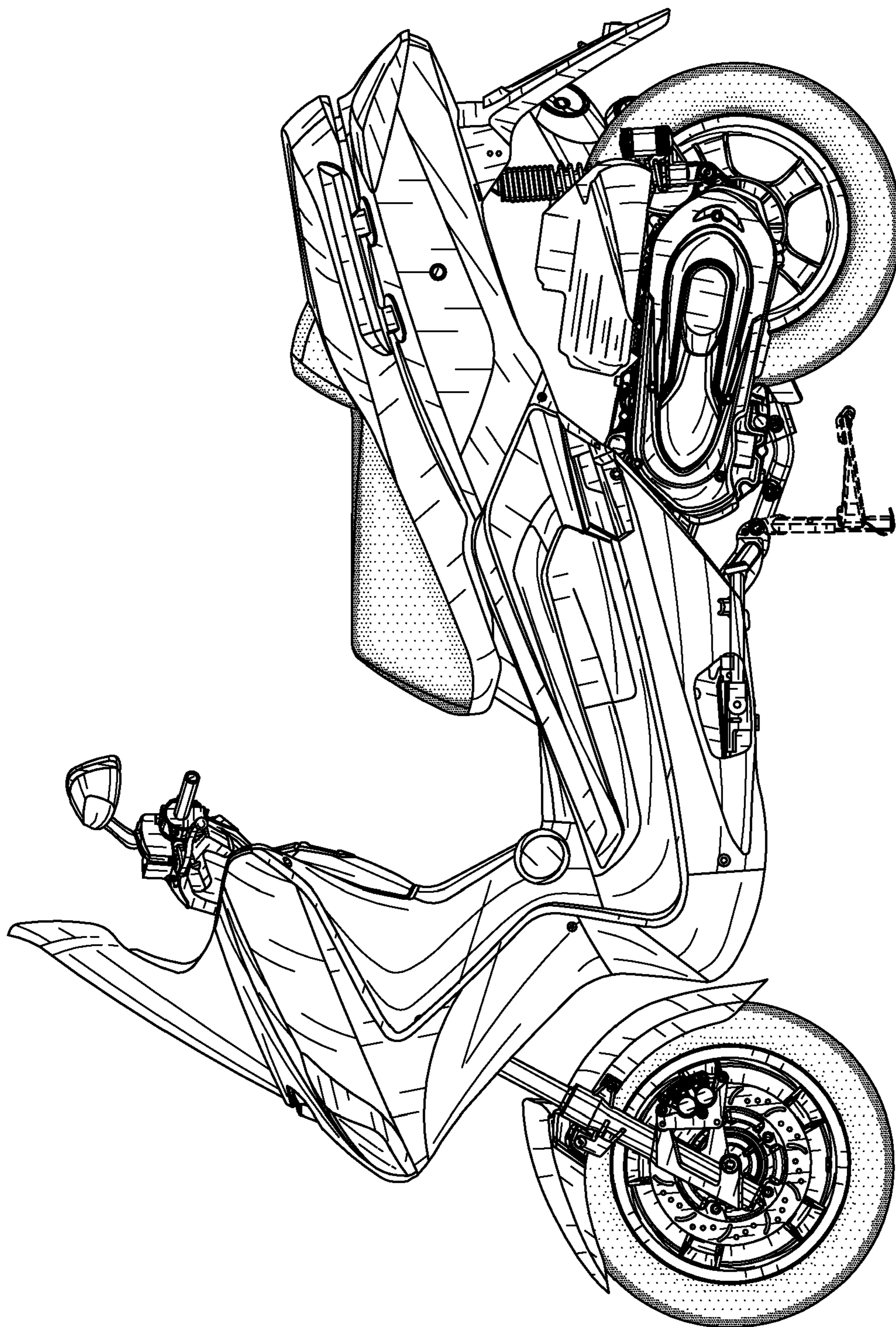


FIG. 5

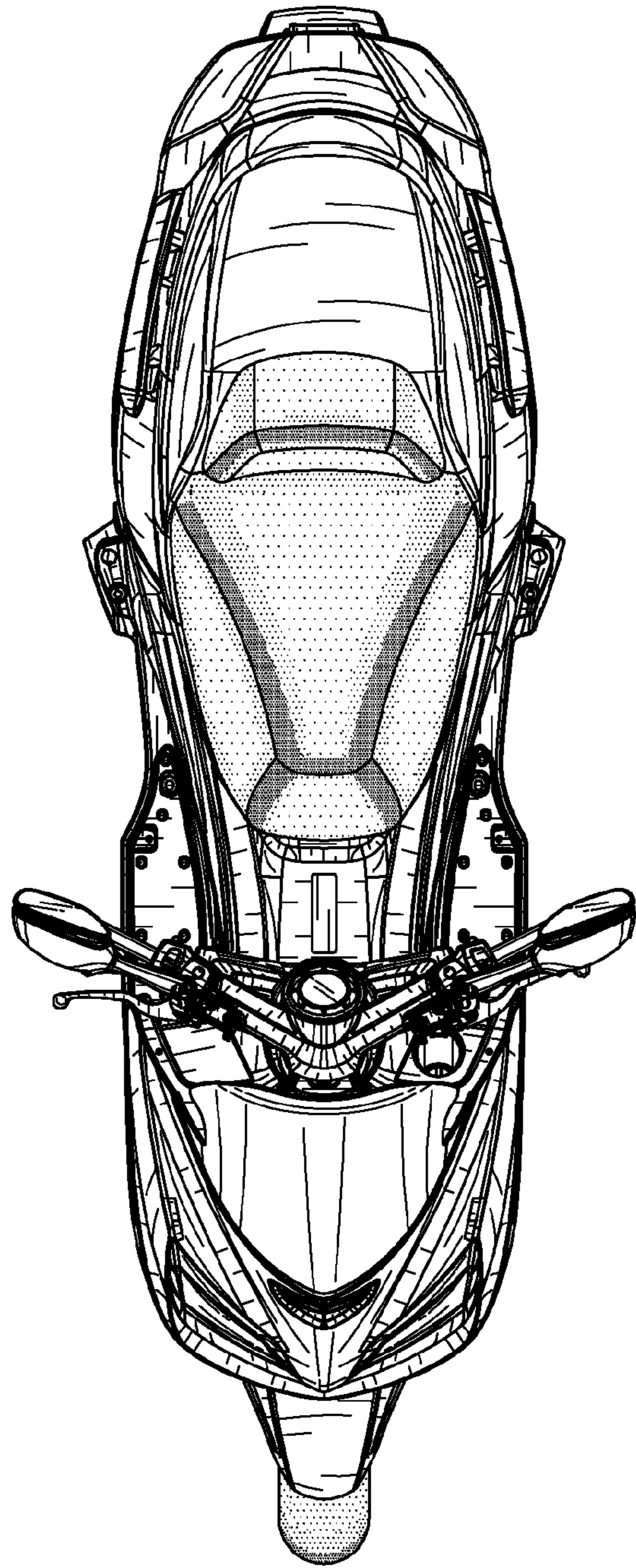


FIG. 6

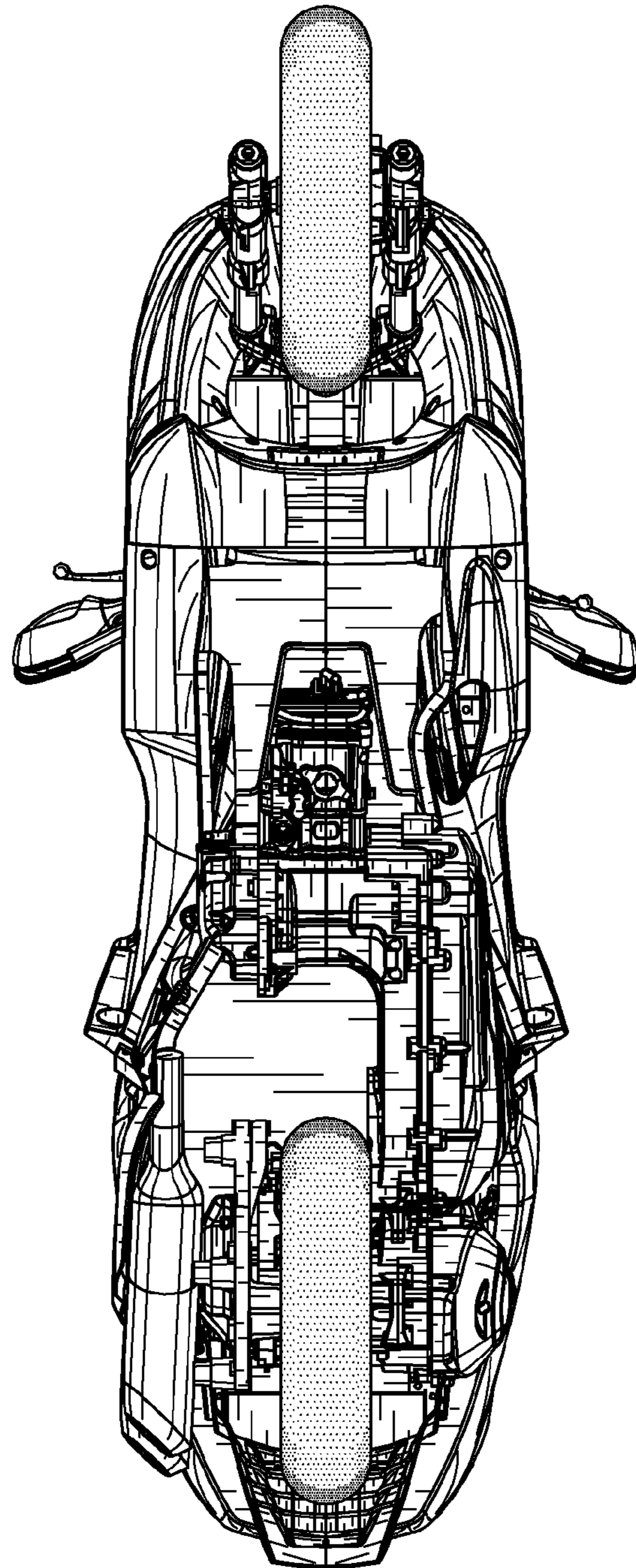


FIG. 7