



US00D597881S

(12) **United States Design Patent**
Hou

(10) **Patent No.:** **US D597,881 S**

(45) **Date of Patent:** **** Aug. 11, 2009**

(54) **CALL REMINDING BRACELET**

D556,078 S * 11/2007 Schrimmer et al. D11/3
D562,171 S * 2/2008 Remington D11/3

(75) Inventor: **Hsiang Fei Hou, Tu-Cheng (TW)**

* cited by examiner

(73) Assignee: **Cheng Uei Precision Industry Co., Ltd., Taipei Hsien (TW)**

Primary Examiner—Cathron C Brooks

Assistant Examiner—Melanie Levy

(74) *Attorney, Agent, or Firm*—Rosenberg, Klein & Lee

(**) Term: **14 Years**

(21) Appl. No.: **29/309,901**

(57) **CLAIM**

(22) Filed: **Nov. 7, 2008**

The ornamental design for a call reminding bracelet, as shown and described.

(51) **LOC (9) Cl.** **11-01**

(52) **U.S. Cl.** **D11/3**

(58) **Field of Classification Search** D11/1-25,
D11/32, 93, 94; 59/78, 79.2; 63/1.11, 3,
63/3.1, 3.2, 5.1, 5.2, 7-11

See application file for complete search history.

DESCRIPTION

FIG. 1 is a perspective view of a call reminding bracelet showing my new design;

FIG. 2 is a front elevational view thereof;

FIG. 3 is a rear elevational view thereof;

FIG. 4 is a left side elevational view thereof;

FIG. 5 is a right side elevational view thereof;

FIG. 6 is a top plan view thereof; and,

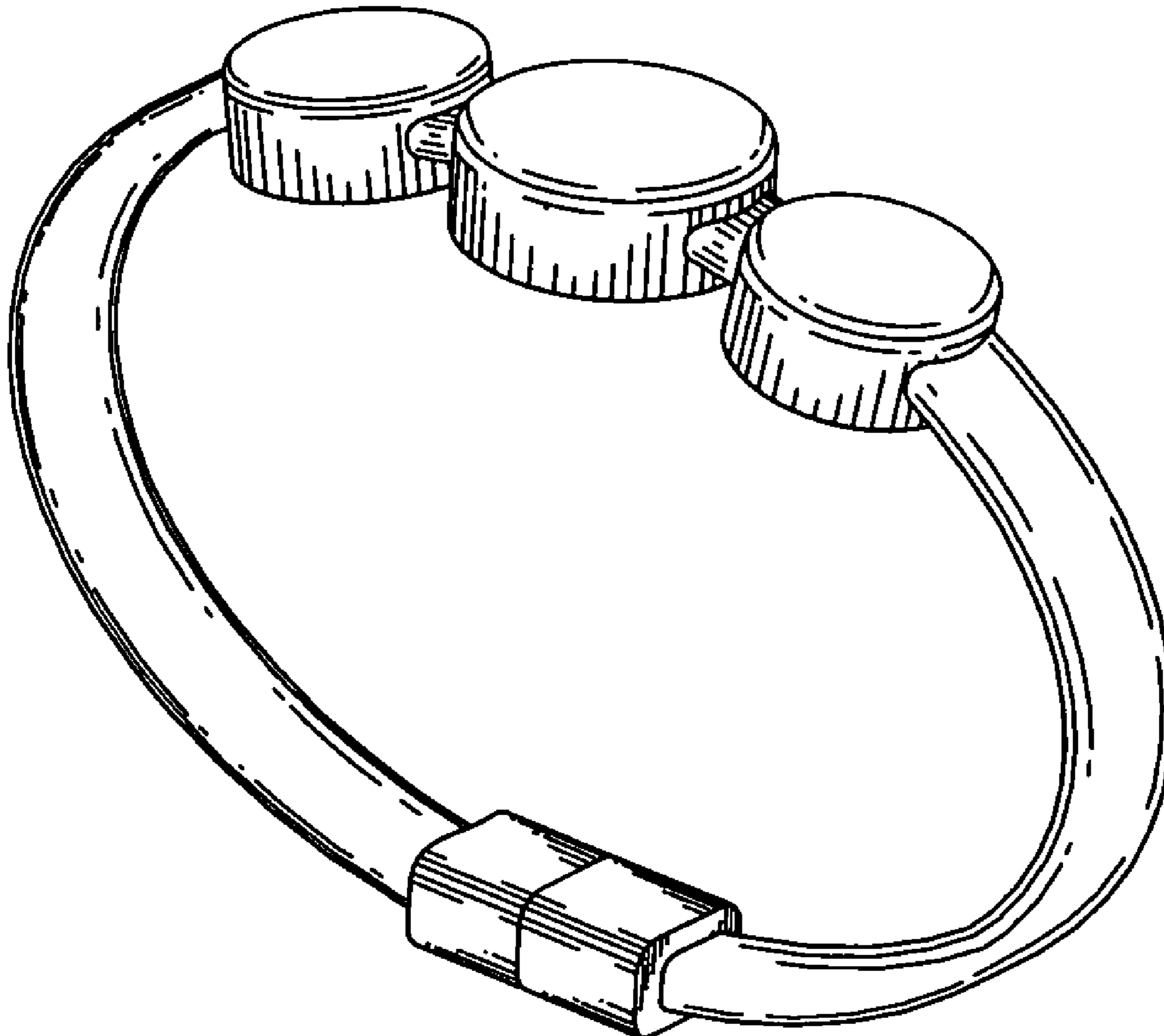
FIG. 7 is a bottom plan view thereof.

(56) **References Cited**

U.S. PATENT DOCUMENTS

1,904,259 A * 4/1933 Zell 63/26
D452,958 S * 1/2002 Goulet Mauboussin D11/3
D475,316 S * 6/2003 Skiles D11/1
D497,566 S * 10/2004 Pucci D11/4

1 Claim, 7 Drawing Sheets



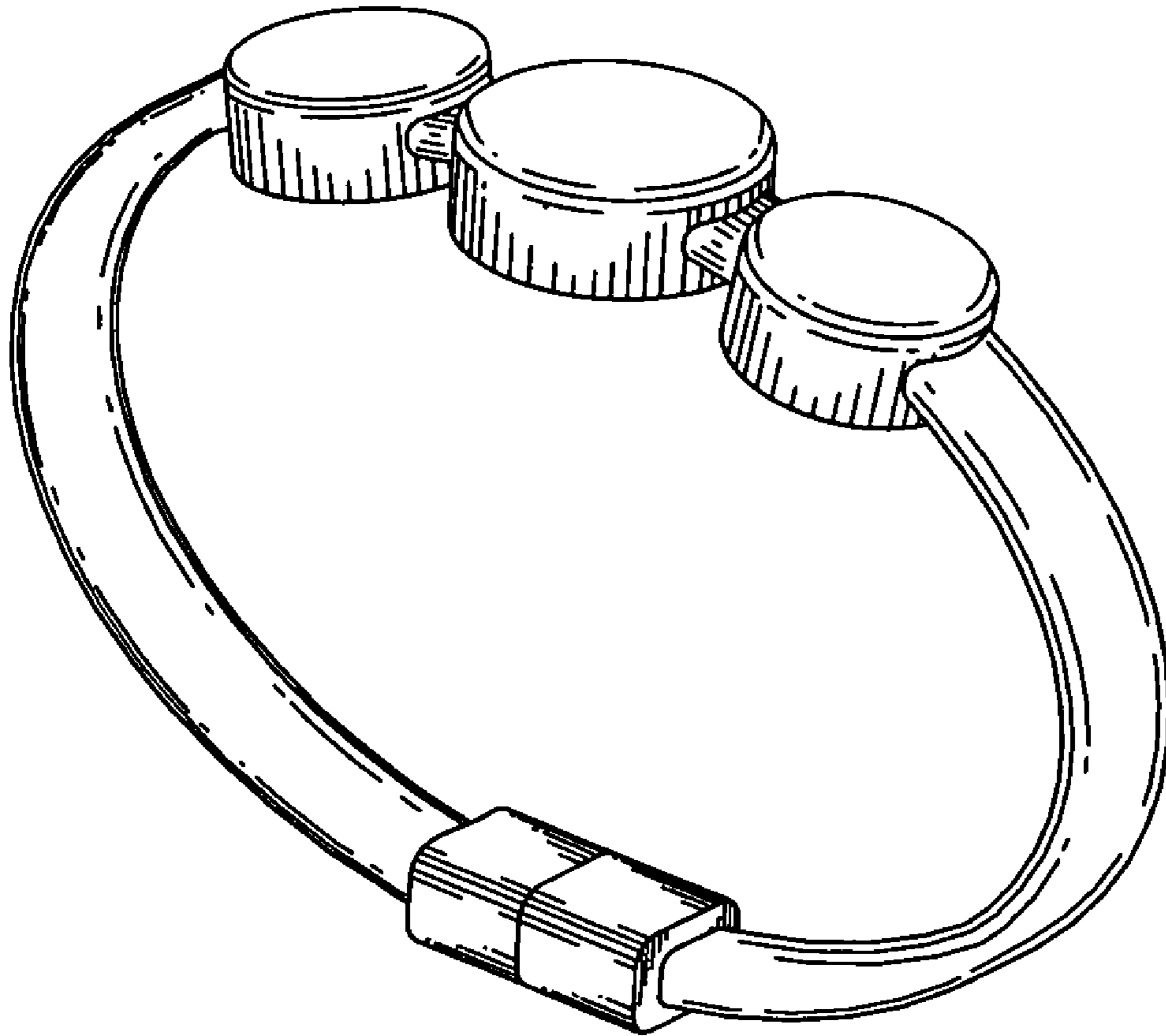


FIG. 1

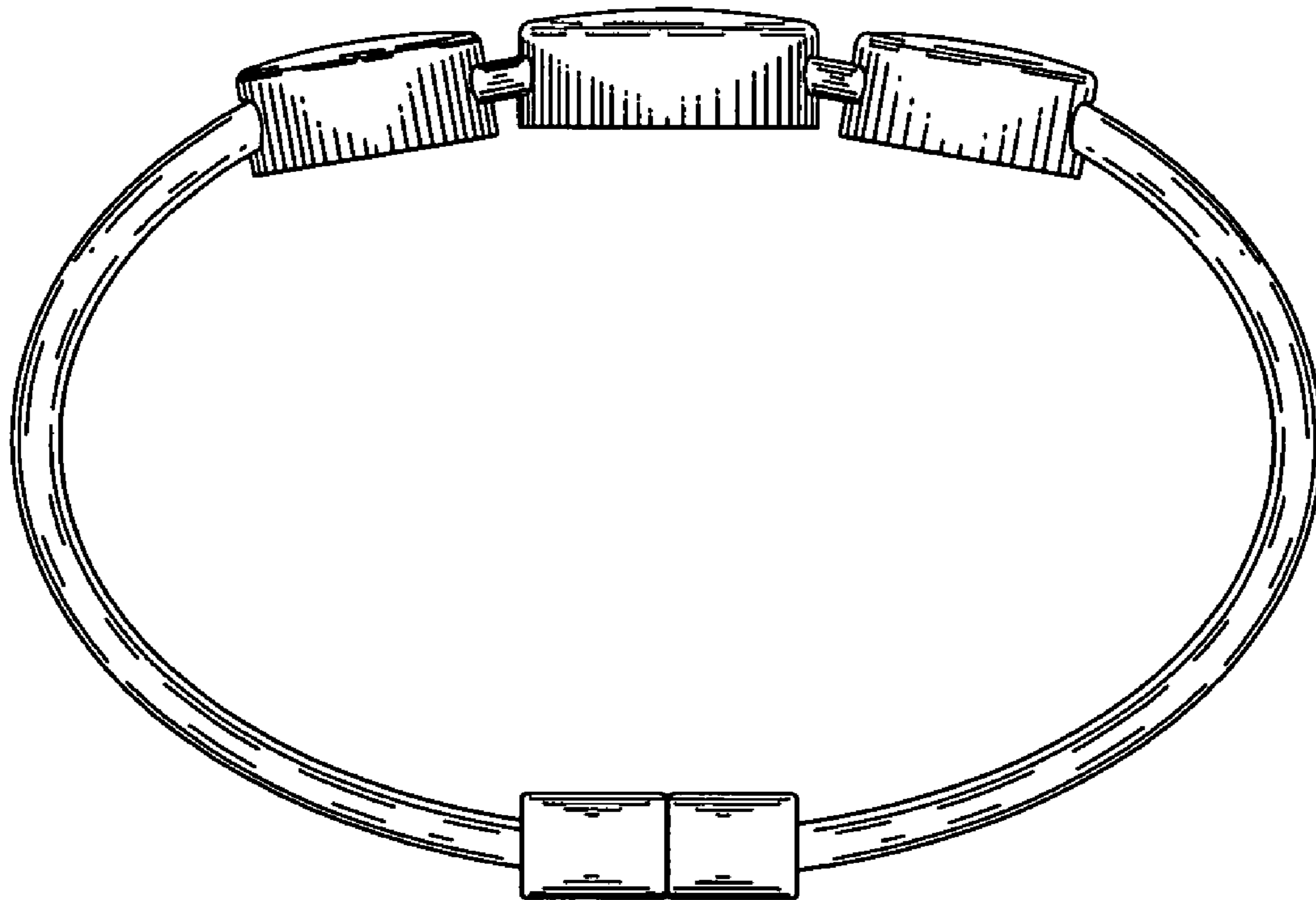


FIG. 2

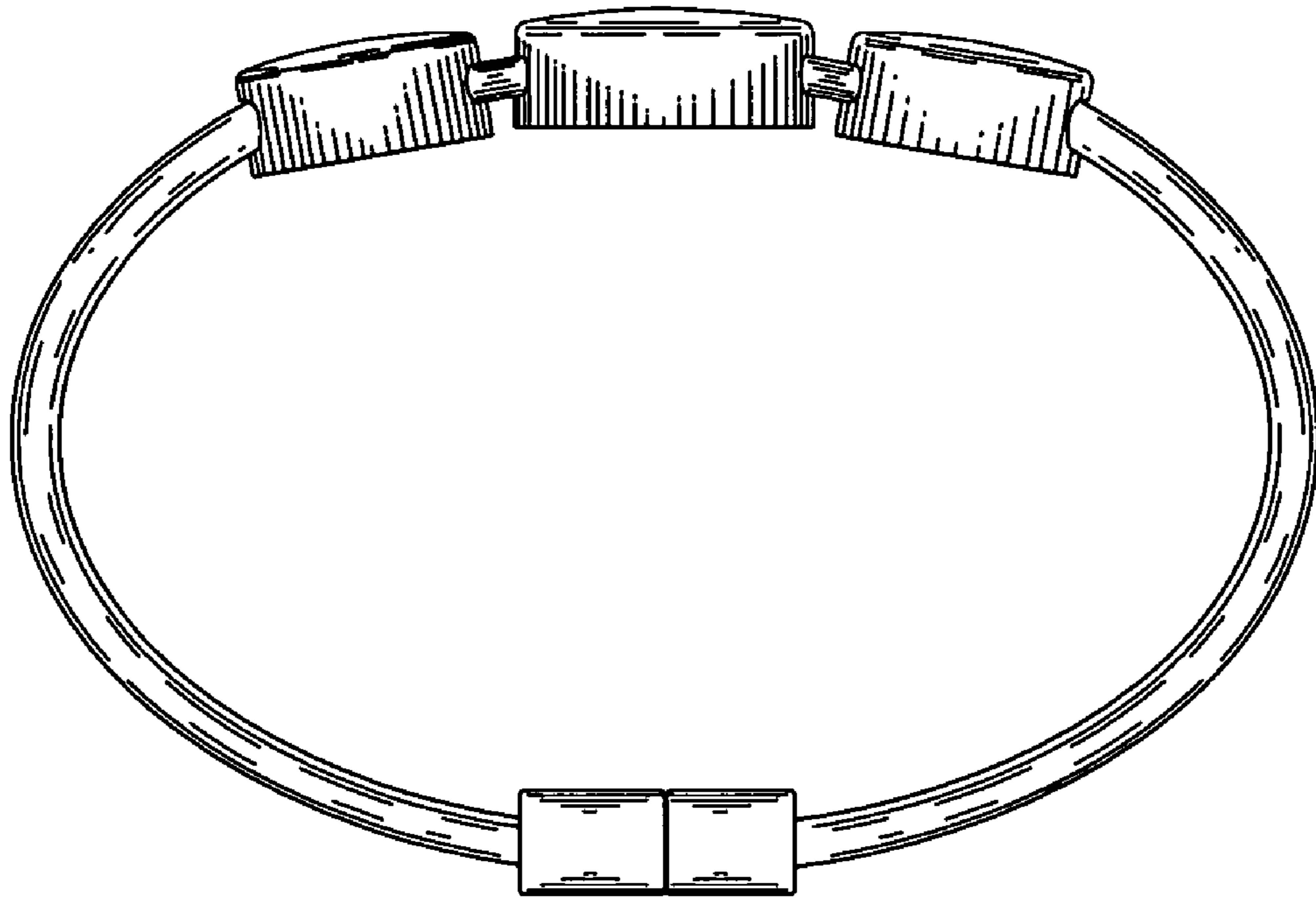


FIG. 3

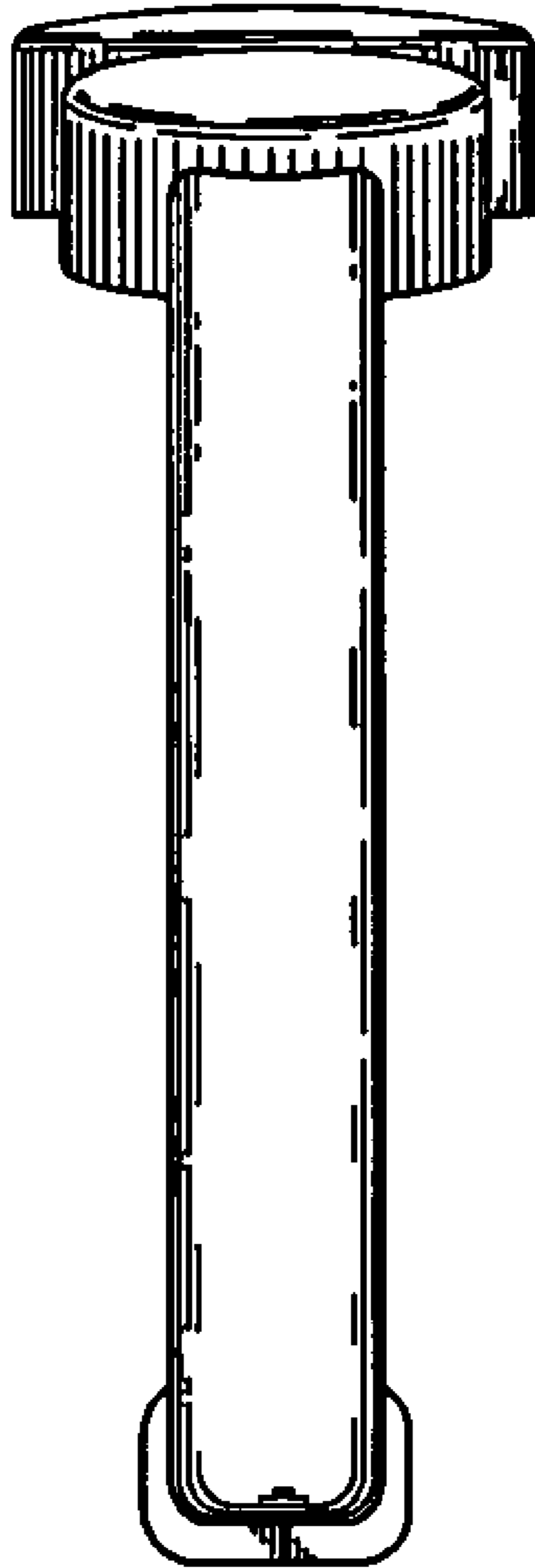


FIG. 4

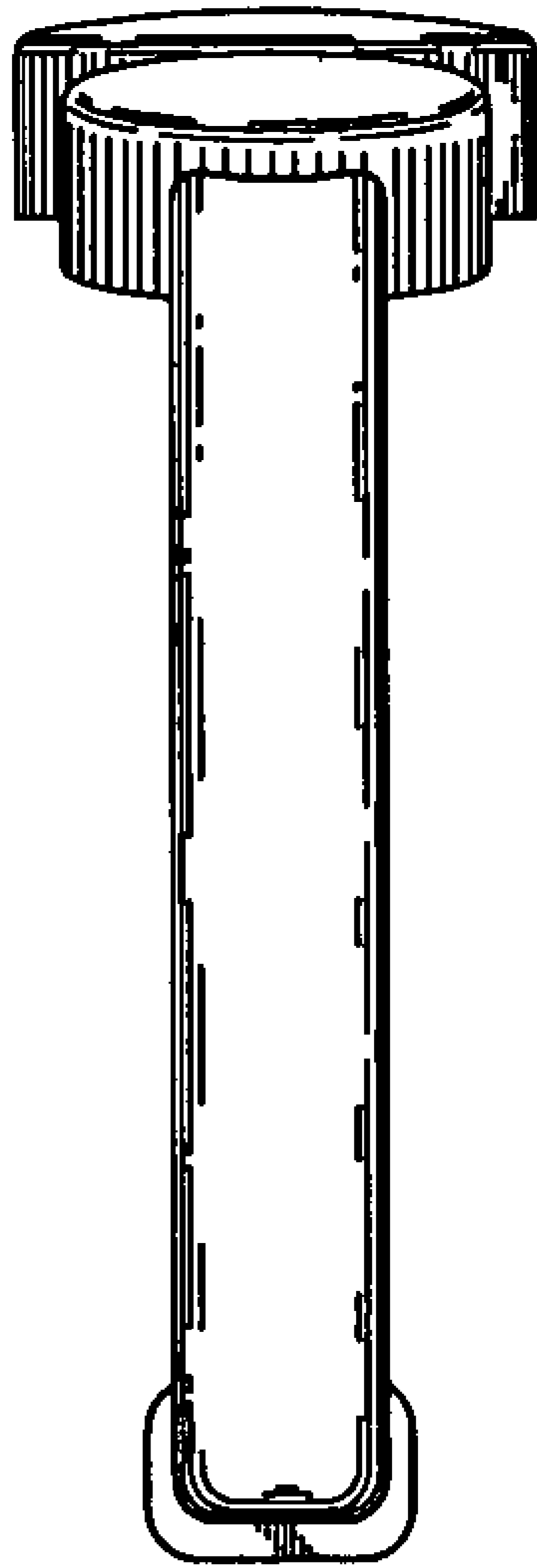


FIG. 5

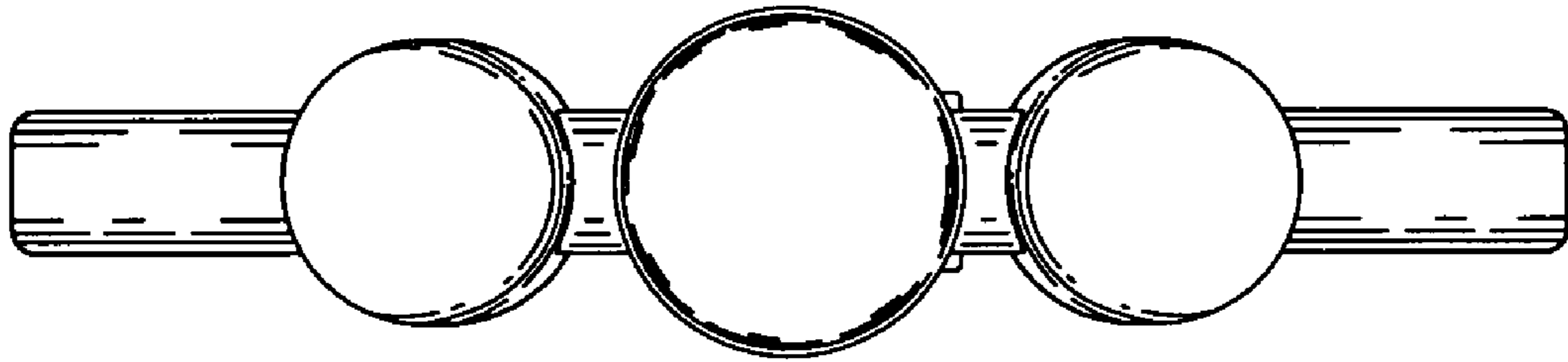


FIG. 6

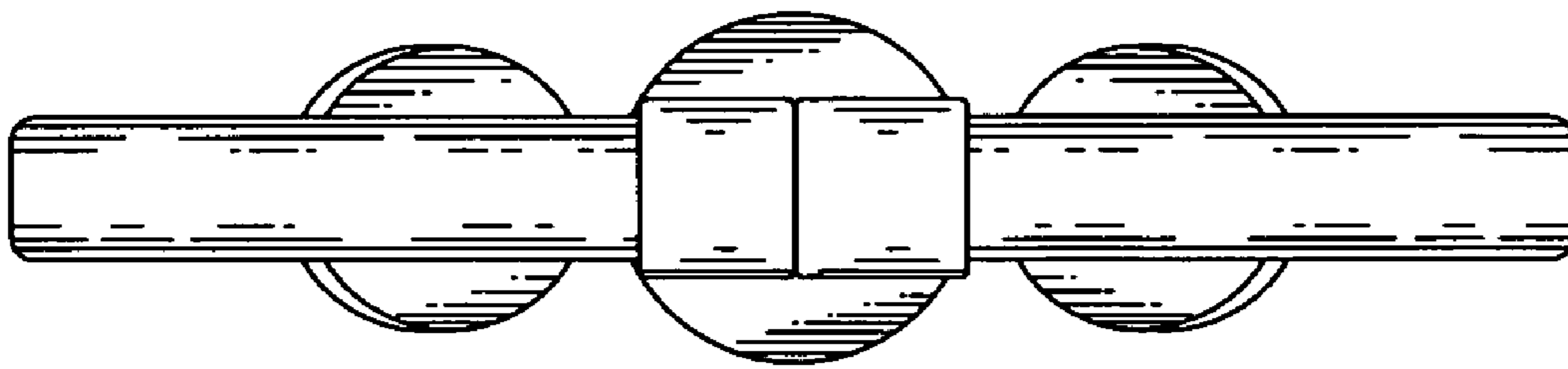


FIG. 7