



US00D597878S

(12) **United States Design Patent**
Aikawa

(10) **Patent No.:** **US D597,878 S**

(45) **Date of Patent:** **** Aug. 11, 2009**

(54) **REMOTE CONTROLLER FOR VEHICLES**

D574,822 S * 8/2008 Bhavnani D14/356

(75) Inventor: **Masami Aikawa**, Chiyoda-ku (JP)

(73) Assignee: **Mitsubishi Electric Corporation**,
Tokyo (JP)

(**) Term: **14 Years**

(21) Appl. No.: **29/325,931**

(22) Filed: **Oct. 8, 2008**

(30) **Foreign Application Priority Data**

Apr. 9, 2008 (JP) 2008-009071

(51) **LOC (9) Cl.** **10-05**

(52) **U.S. Cl.** **D10/104**

(58) **Field of Classification Search** D10/104,
D10/106; D13/168, 207; D14/218, 138,
D14/154, 168, 188; 362/157, 116, 200, 186,
362/87; D26/37, 38, 63; 455/351, 350; 340/426.31,
340/546, 628, 815.4, 815.73

See application file for complete search history.

(56) **References Cited**

U.S. PATENT DOCUMENTS

D380,695 S * 7/1997 Seki et al. D10/104
D445,708 S * 7/2001 Huang et al. D10/104
D487,259 S * 3/2004 Obata D14/167
D496,031 S * 9/2004 Ma et al. D14/240
D496,638 S * 9/2004 Deubler, Jr. D14/138 R
D507,759 S * 7/2005 Li D10/106
D534,448 S * 1/2007 Shaffer et al. D10/104
D550,705 S * 9/2007 Ichimura D14/496

OTHER PUBLICATIONS

“Remote Control Key for Volvo S80,” Catalogue of Volvo Corporation, The Instruction Manual of Volvo S80, 2007, p. 42-57.

* cited by examiner

Primary Examiner—Caron Veynar

Assistant Examiner—George D Kirschbaum

(74) *Attorney, Agent, or Firm*—Sughrue Mion, PLLC

(57) **CLAIM**

The ornamental design for a remote controller for vehicles, as shown and described.

DESCRIPTION

FIG. 1 is a front, top and right side perspective view of a remote controller for vehicles, showing my new design;

FIG. 2 is a front elevational view thereof;

FIG. 3 is a rear elevational view thereof;

FIG. 4 is a top plan view thereof;

FIG. 5 is a bottom plan view thereof;

FIG. 6 is a left side elevational view thereof;

FIG. 7 is a right side elevational view thereof;

FIG. 8 is a elevation view of the design thereof, shown in an alternate position;

FIG. 9 is a rear elevational view thereof;

FIG. 10 is a top plan view thereof;

FIG. 11 is a bottom plan view thereof; and,

FIG. 12 is a reference front elevational view showing the light-transmitting portion of the design in a lighted state.

1 Claim, 4 Drawing Sheets

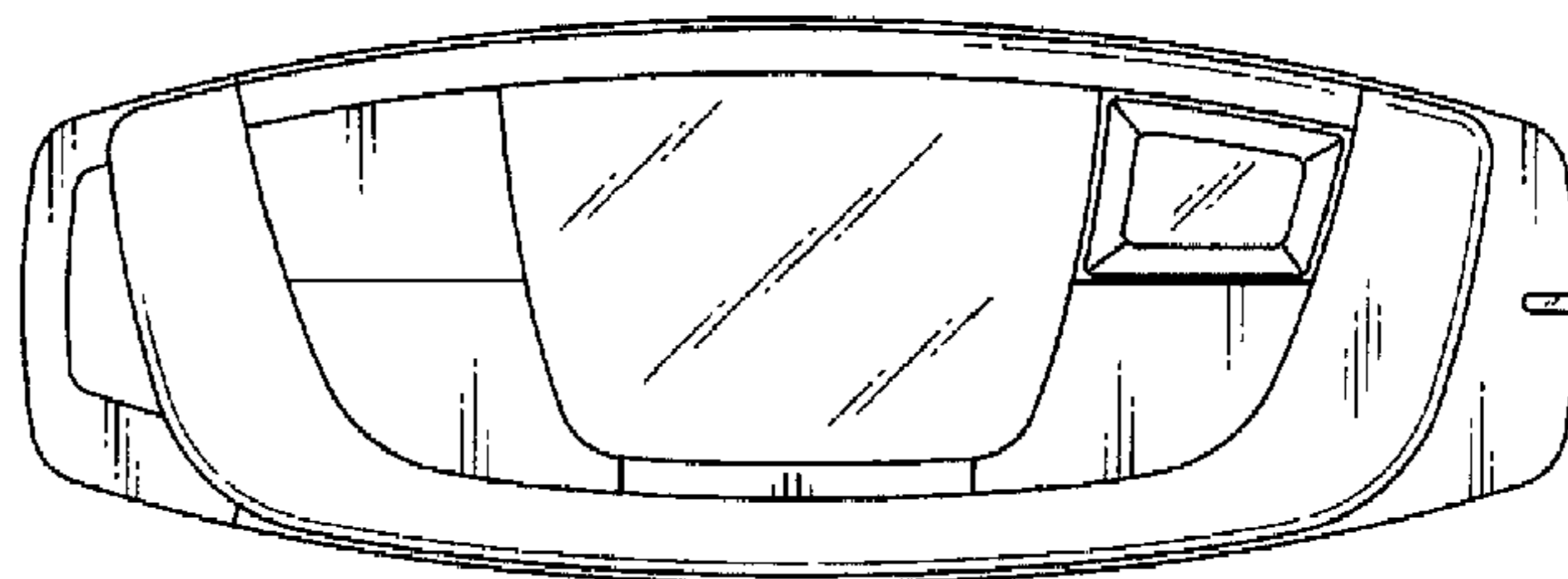
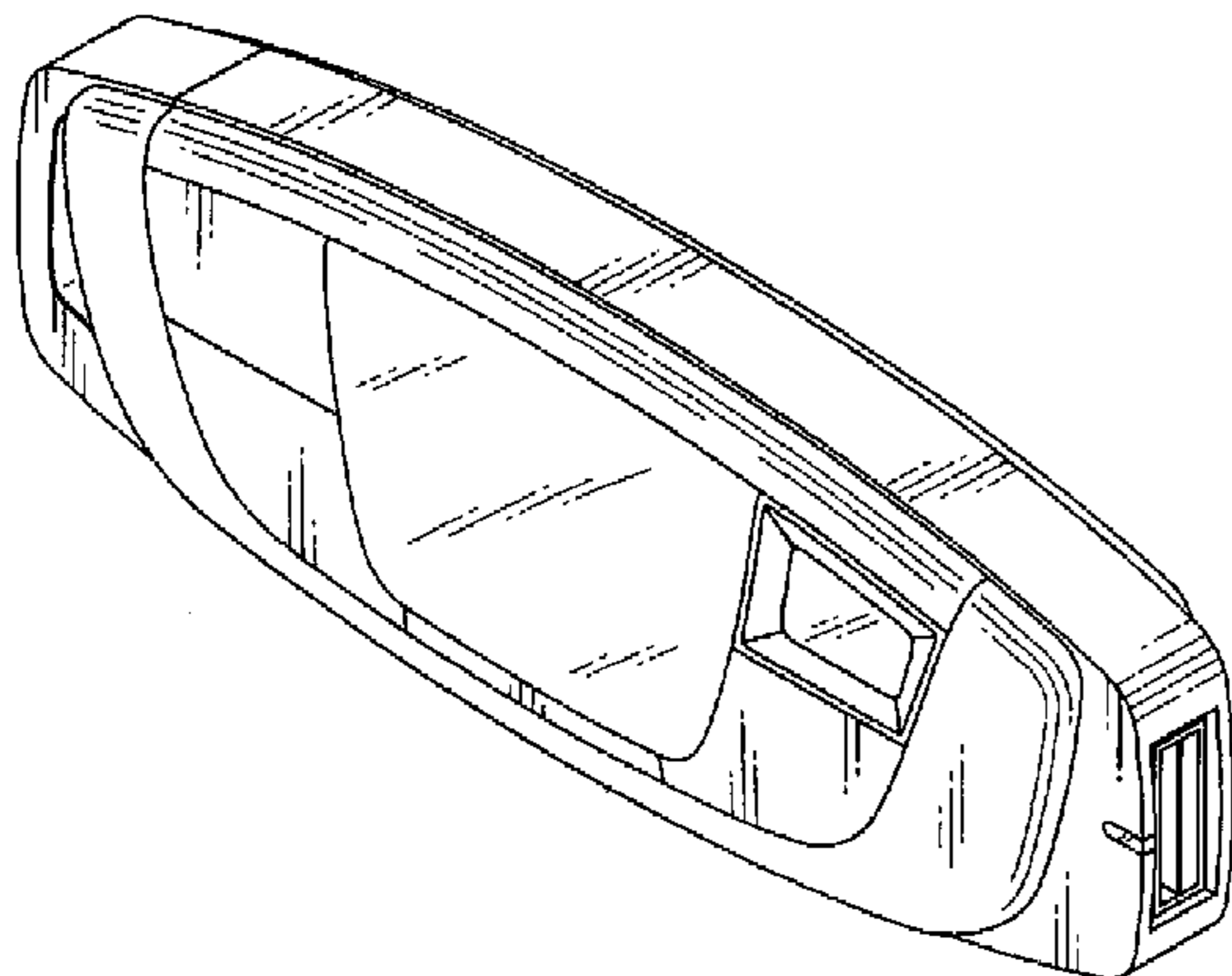


FIG.1

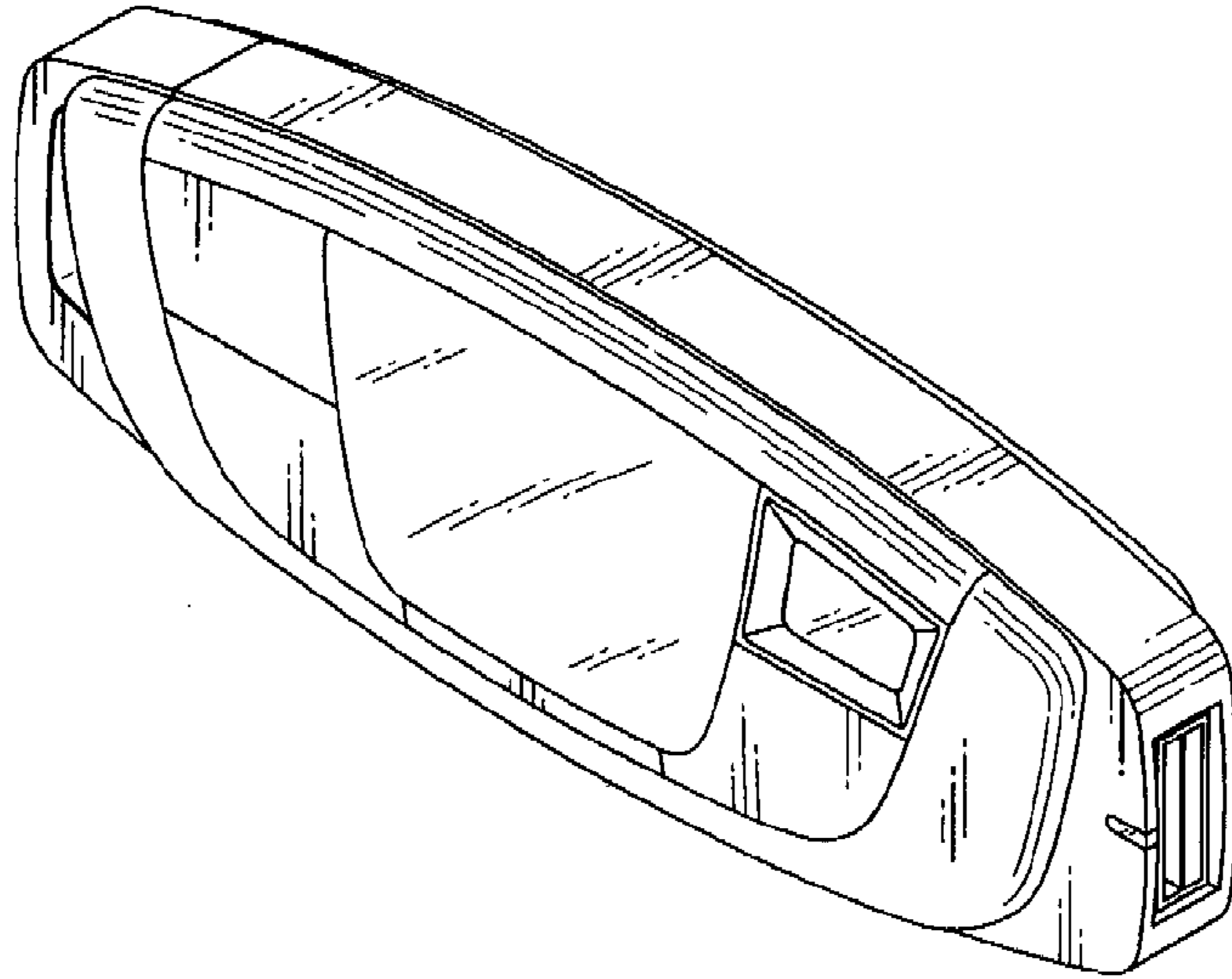


FIG.2

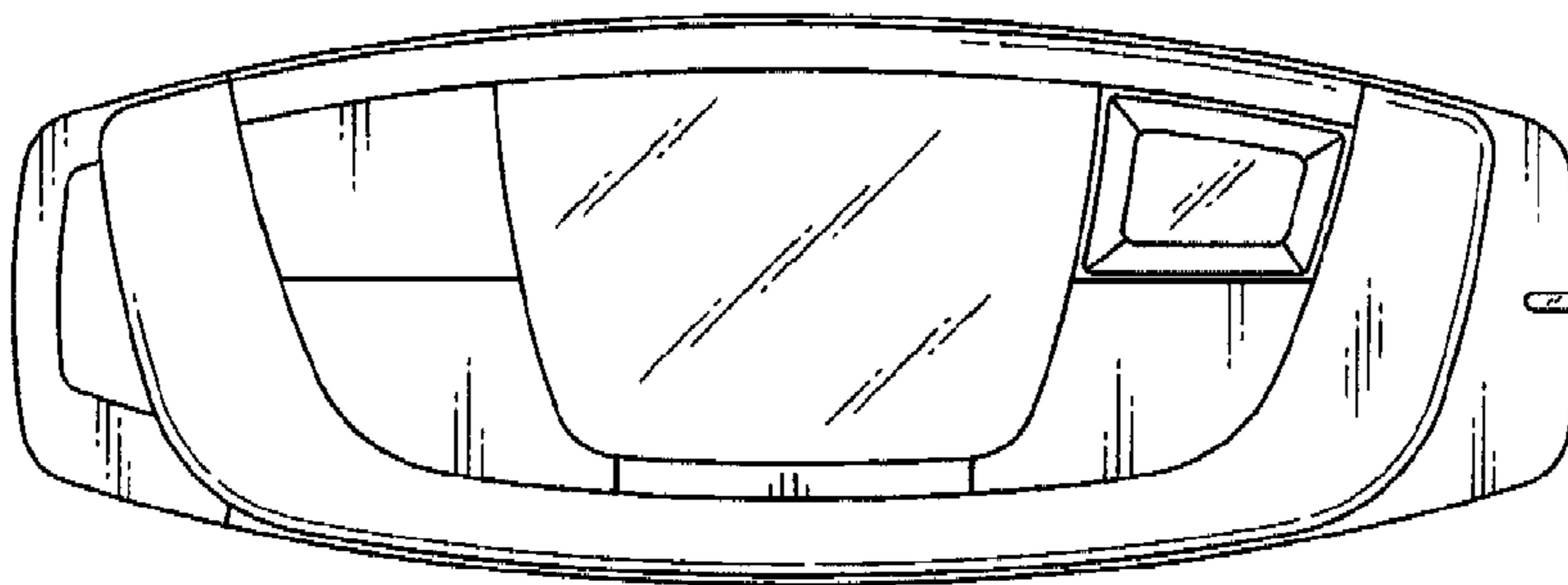


FIG.3

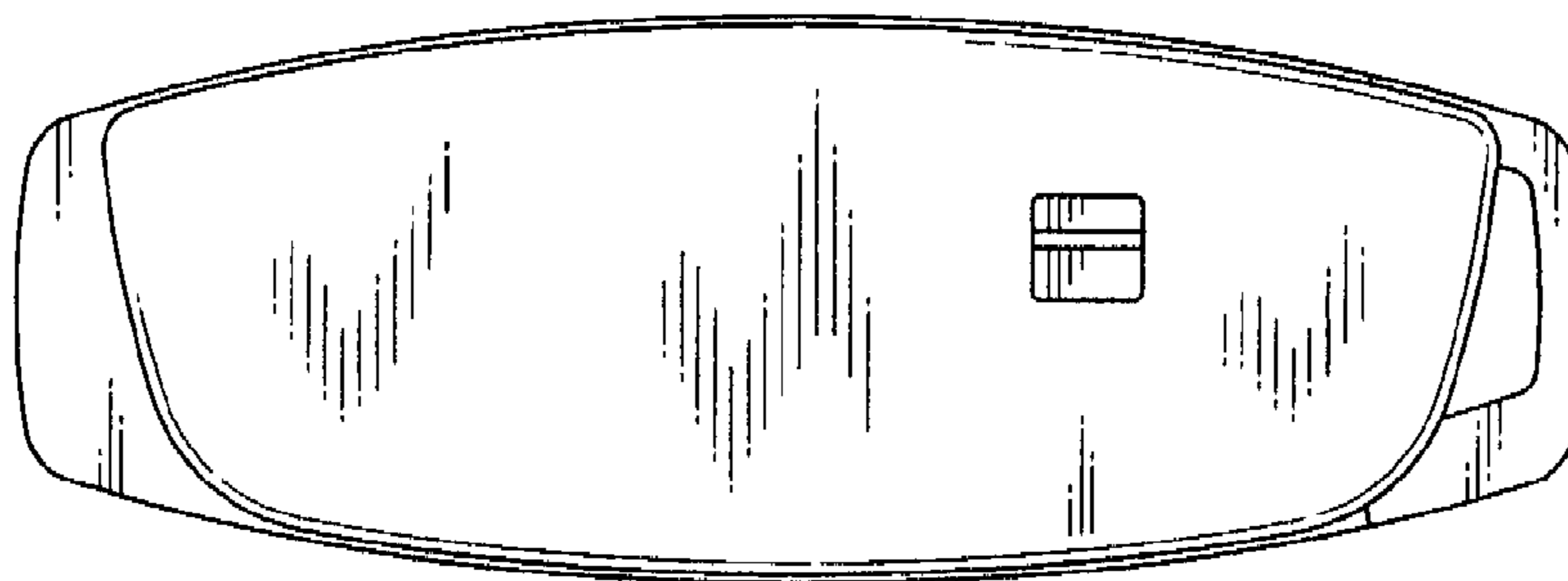


FIG.4

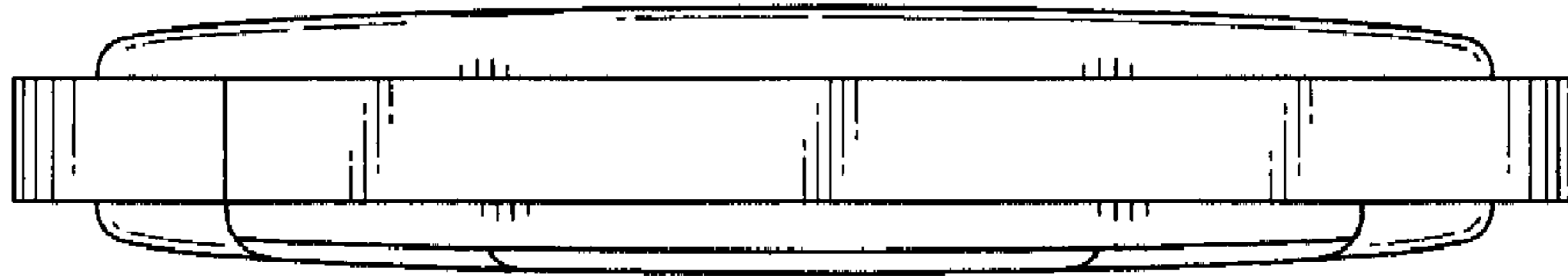


FIG.5

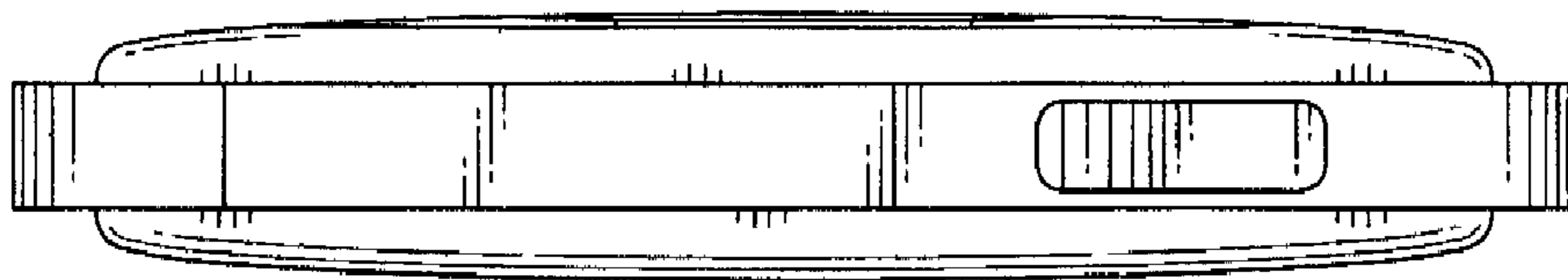


FIG.6

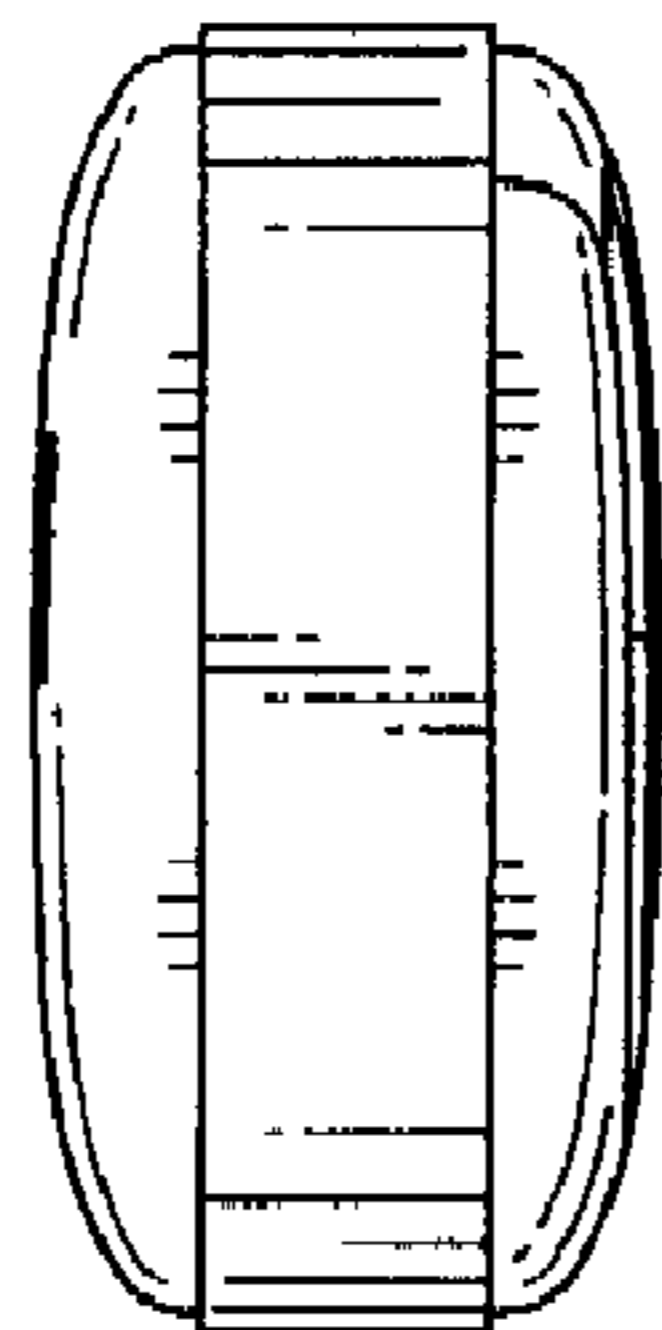


FIG.7

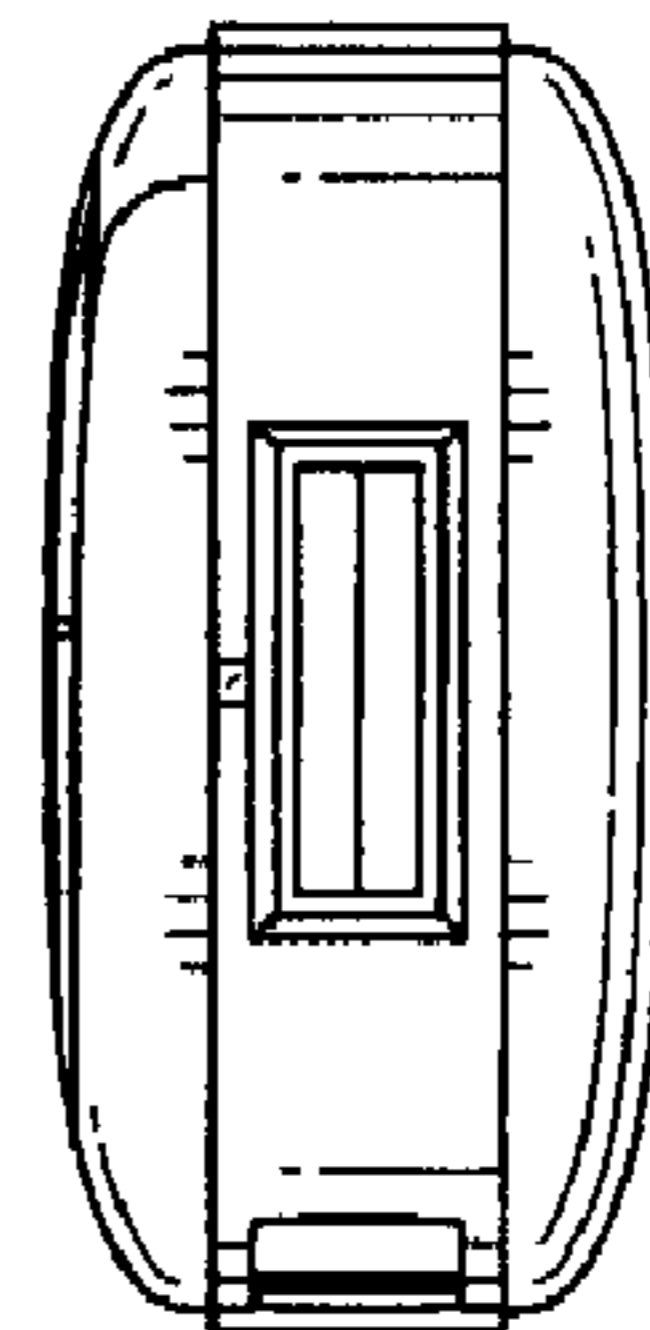


FIG.8

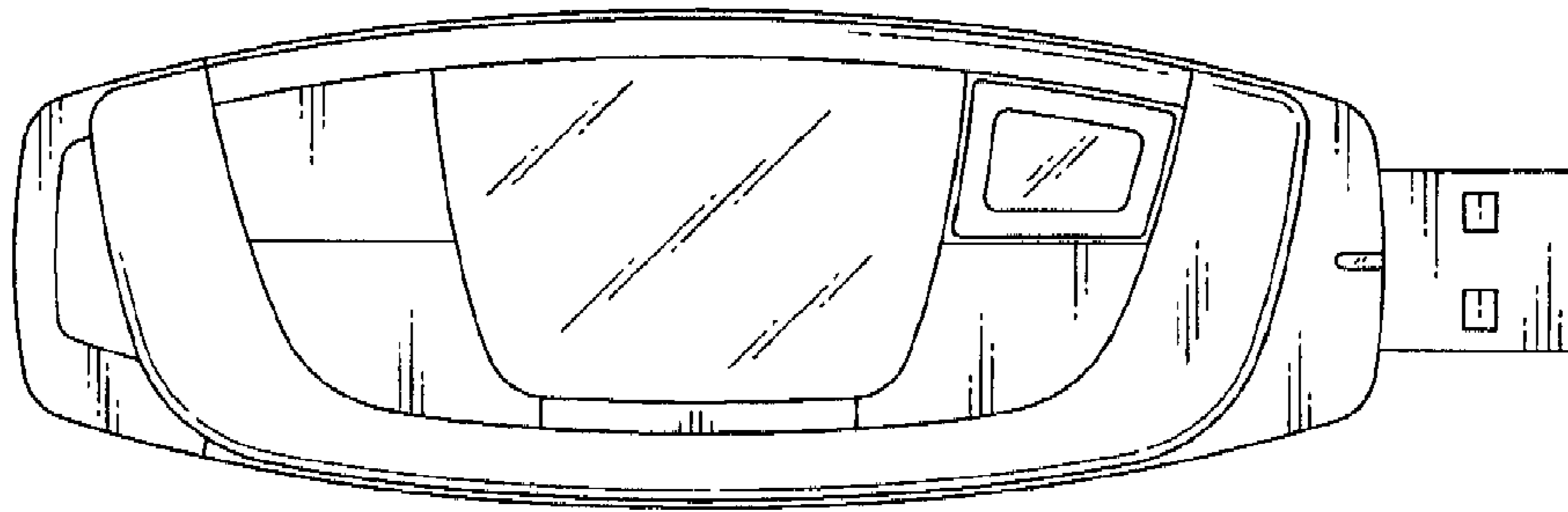


FIG.9

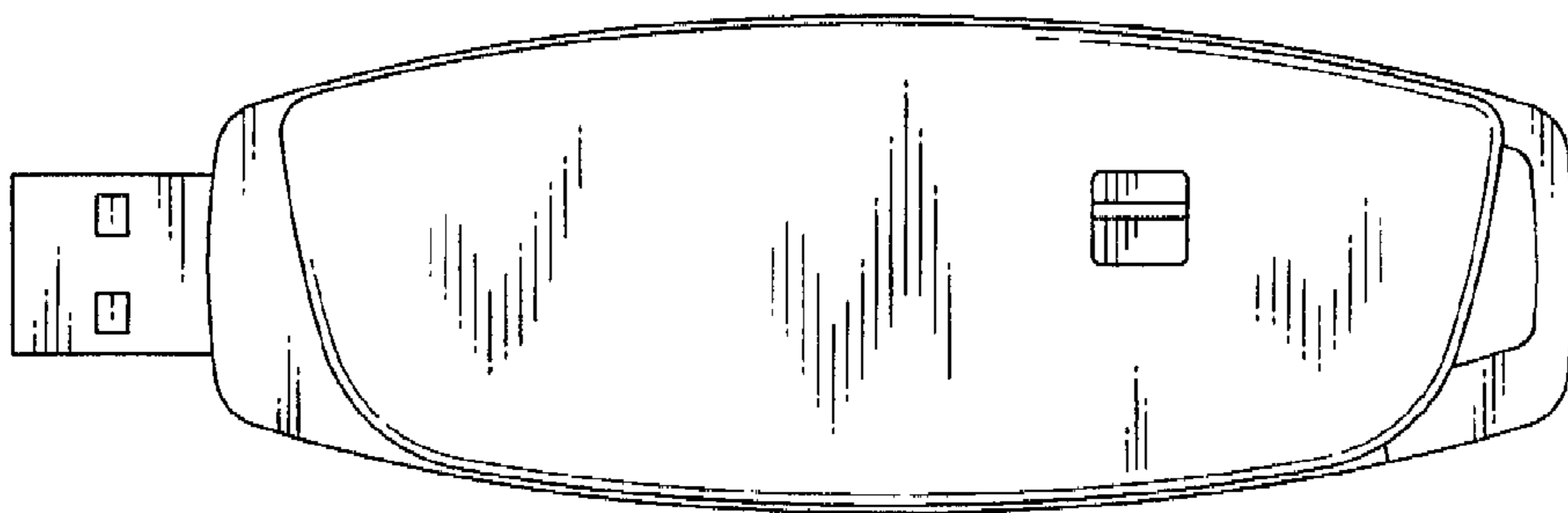


FIG.10

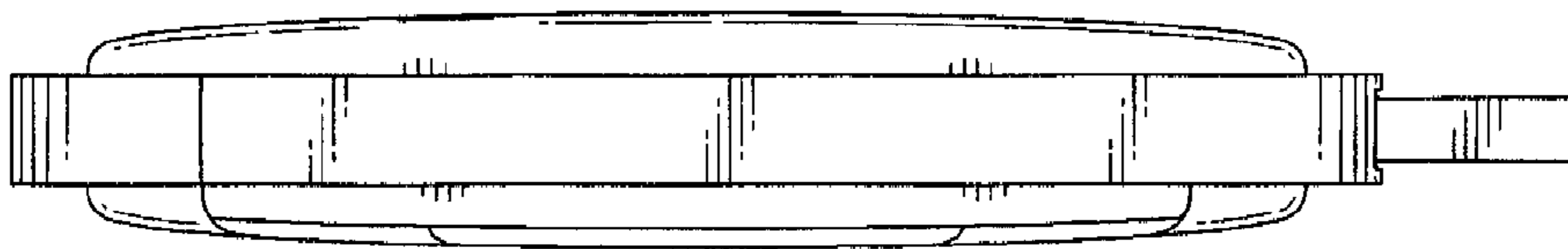


FIG.11

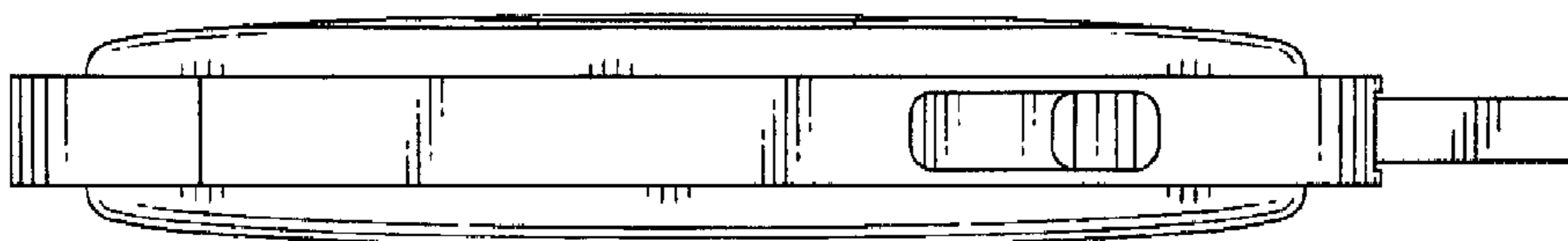


FIG. 12

