



US00D597876S

(12) **United States Design Patent**
Lamason

(10) **Patent No.:** **US D597,876 S**

(45) **Date of Patent:** **** Aug. 11, 2009**

(54) **BABY UNIT FOR BABYPHONE**

(75) Inventor: **Simon John Lamason**, Amsterdam (NL)

(73) Assignee: **Koninklijke Philips Electronics N.V.**,
Eindhoven (NL)

(**) Term: **14 Years**

(21) Appl. No.: **29/303,547**

(22) Filed: **Feb. 12, 2008**

(30) **Foreign Application Priority Data**

Aug. 21, 2007 (EM) 000776588-0001

(51) **LOC (9) Cl.** **10-05**

(52) **U.S. Cl.** **D10/104**

(58) **Field of Classification Search** D10/104,
D10/106; D14/137, 138, 139, 159, 170,
D14/171; 455/73, 128; 24/269, 930; 340/539.1,
340/539.11, 539.15

See application file for complete search history.

(56) **References Cited**

U.S. PATENT DOCUMENTS

D304,453 S * 11/1989 Matsushima D14/170

D424,561 S * 5/2000 Heath D14/159
D486,470 S * 2/2004 Hakoda D14/171
D561,165 S * 2/2008 Hocherman et al. D14/171
D577,002 S * 9/2008 Kurihara D14/170
2005/0079830 A1 * 4/2005 Vives et al. 455/90.3

* cited by examiner

Primary Examiner—Caron Veynar

Assistant Examiner—George D Kirschbaum

(57) **CLAIM**

The ornamental design for a baby unit for babyphone, as shown.

DESCRIPTION

FIG. 1 is a perspective view showing my design;

FIG. 2 is a front elevational view thereof;

FIG. 3 is a rear elevational view thereof;

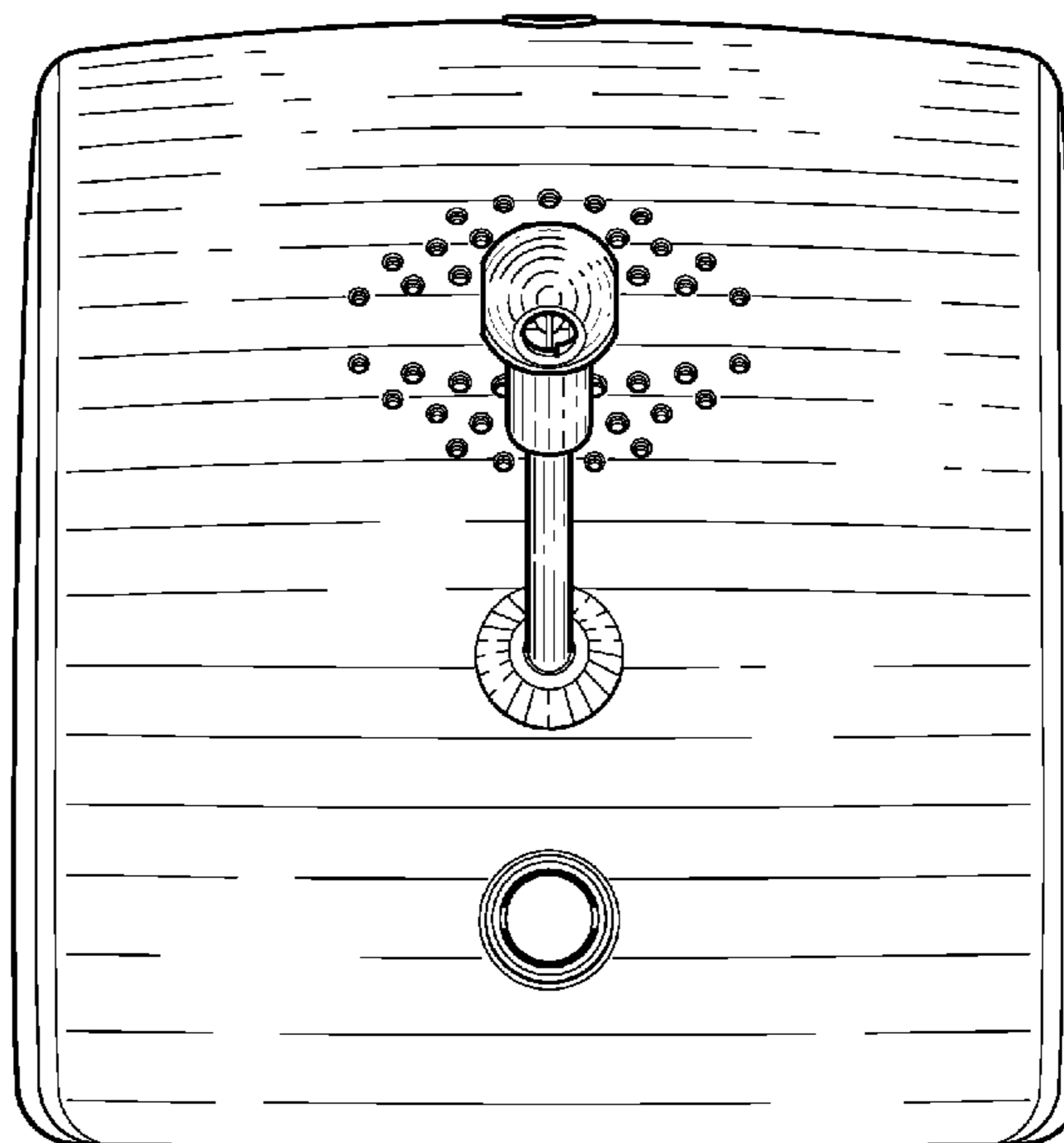
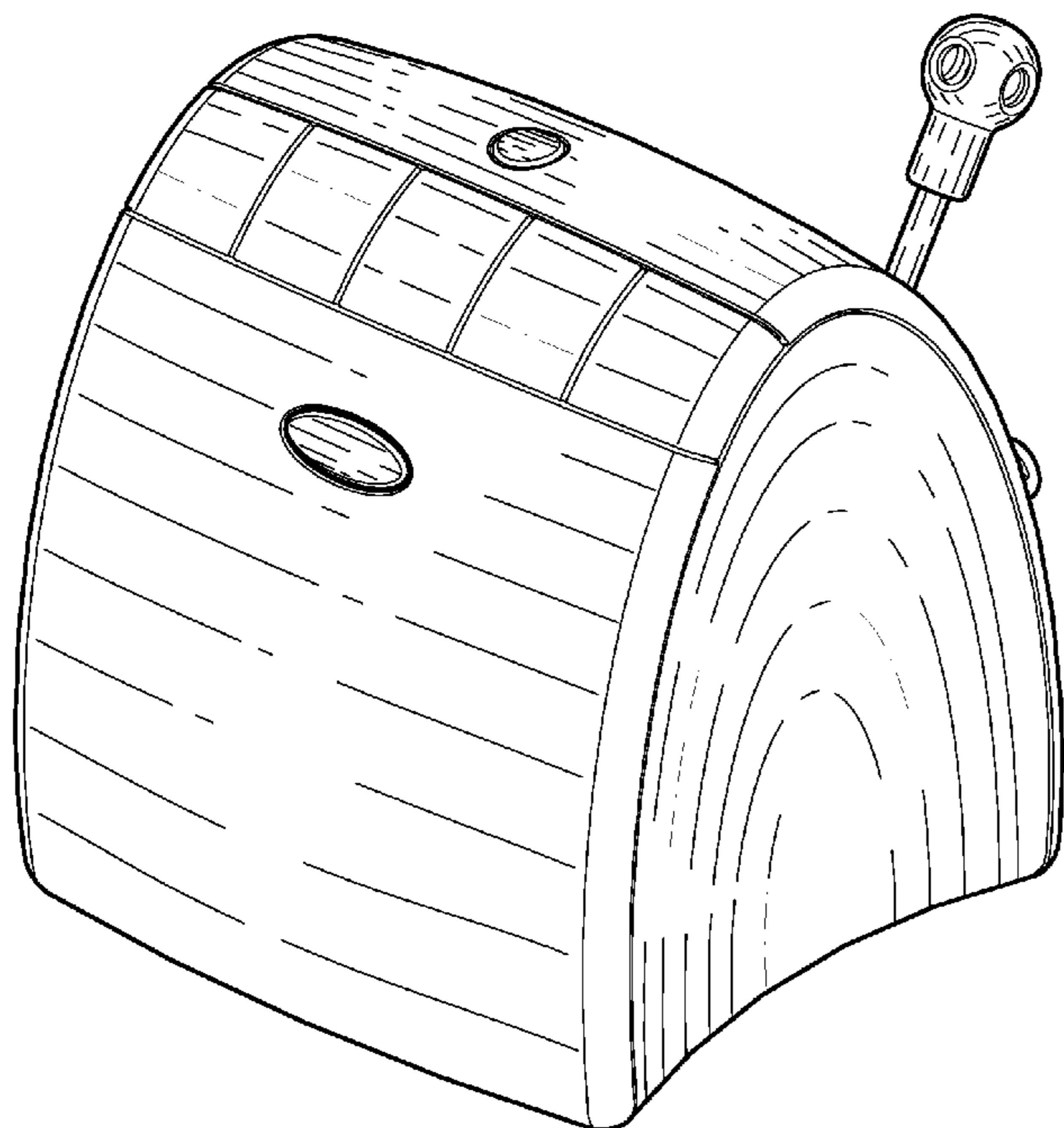
FIG. 4 is a right side elevational view thereof;

FIG. 5 is a left side elevational view thereof;

FIG. 6 is a top plan view thereof; and,

FIG. 7 is a bottom plan view thereof.

1 Claim, 7 Drawing Sheets



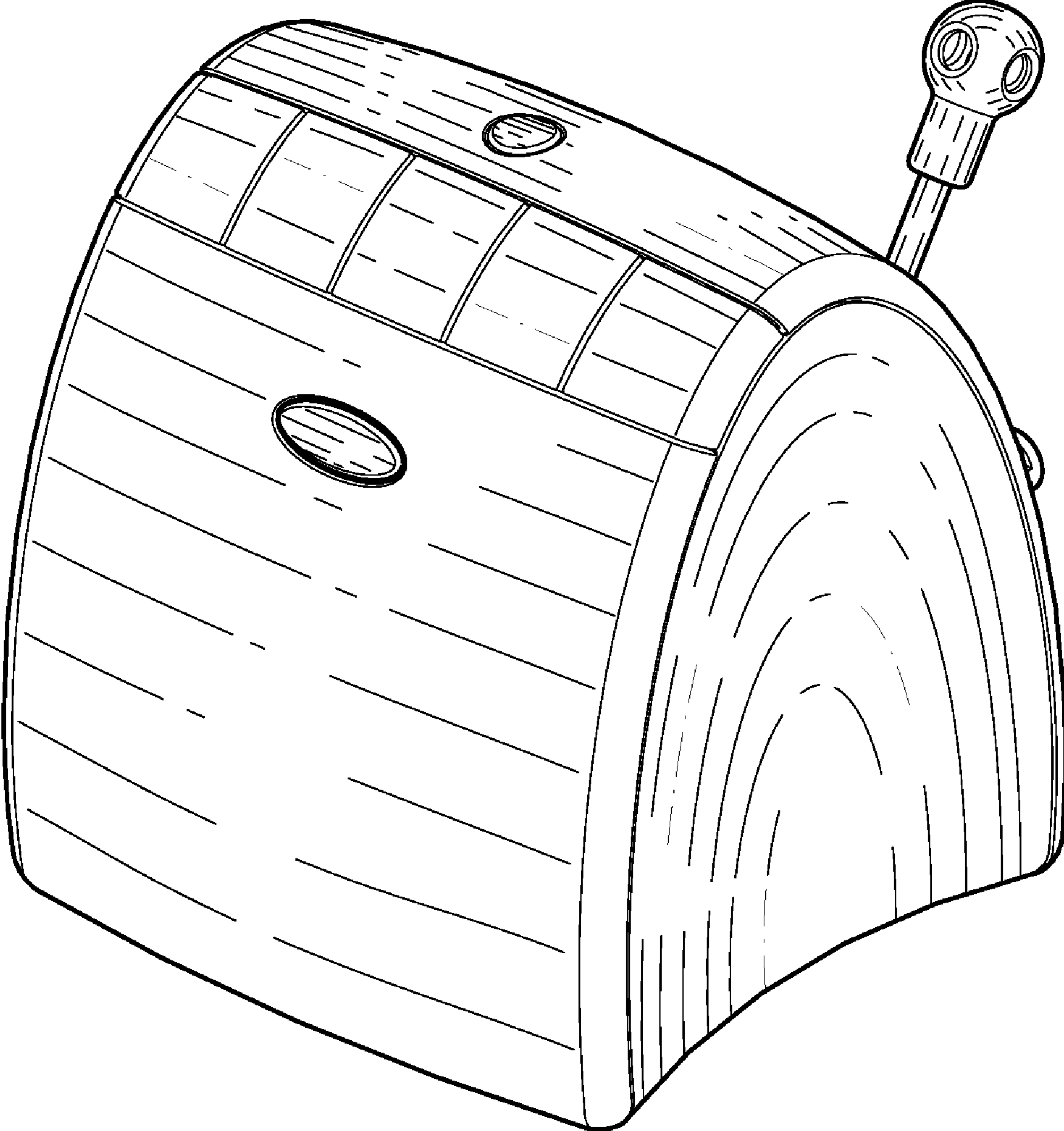


FIG. 1

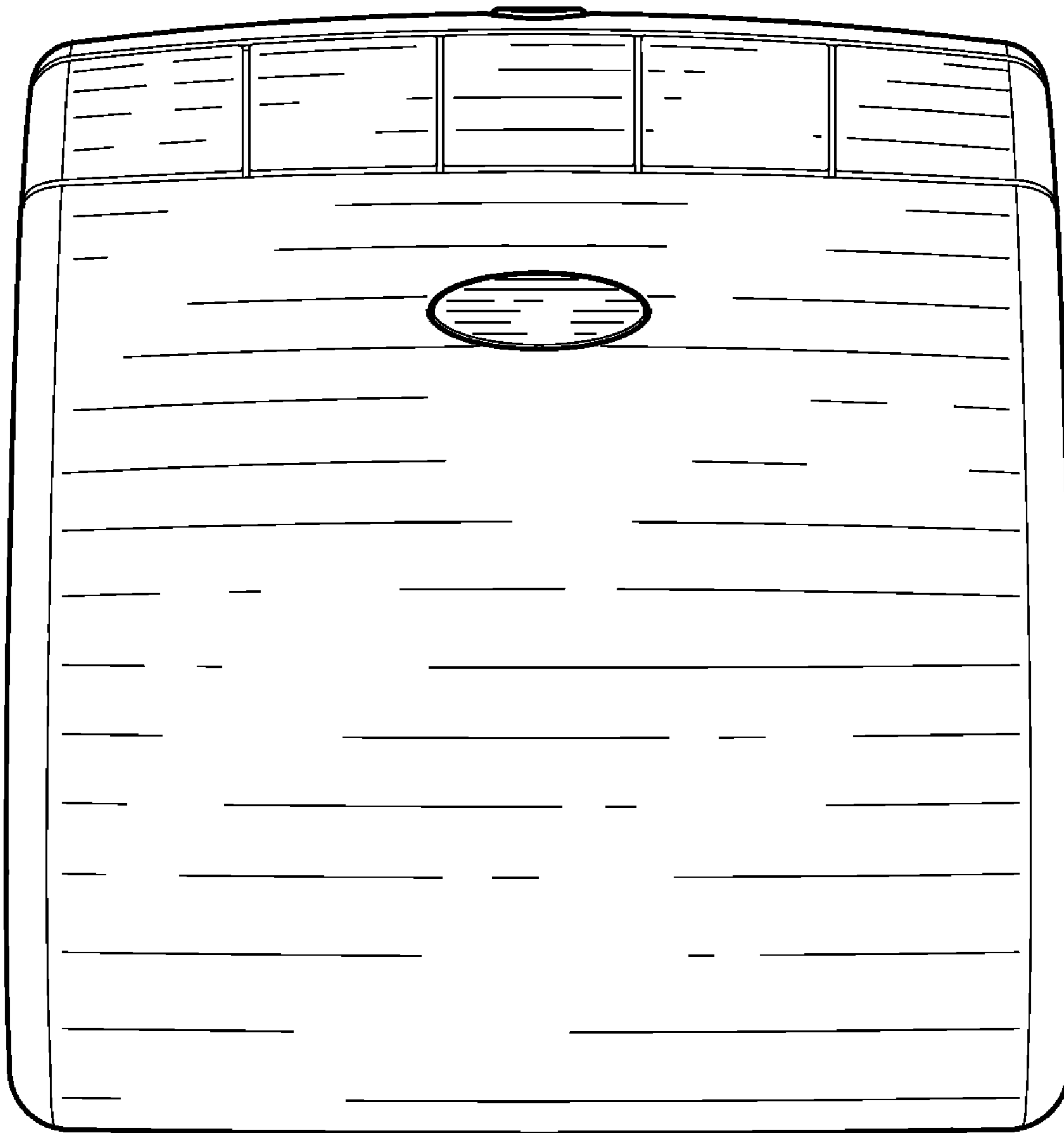


FIG.2

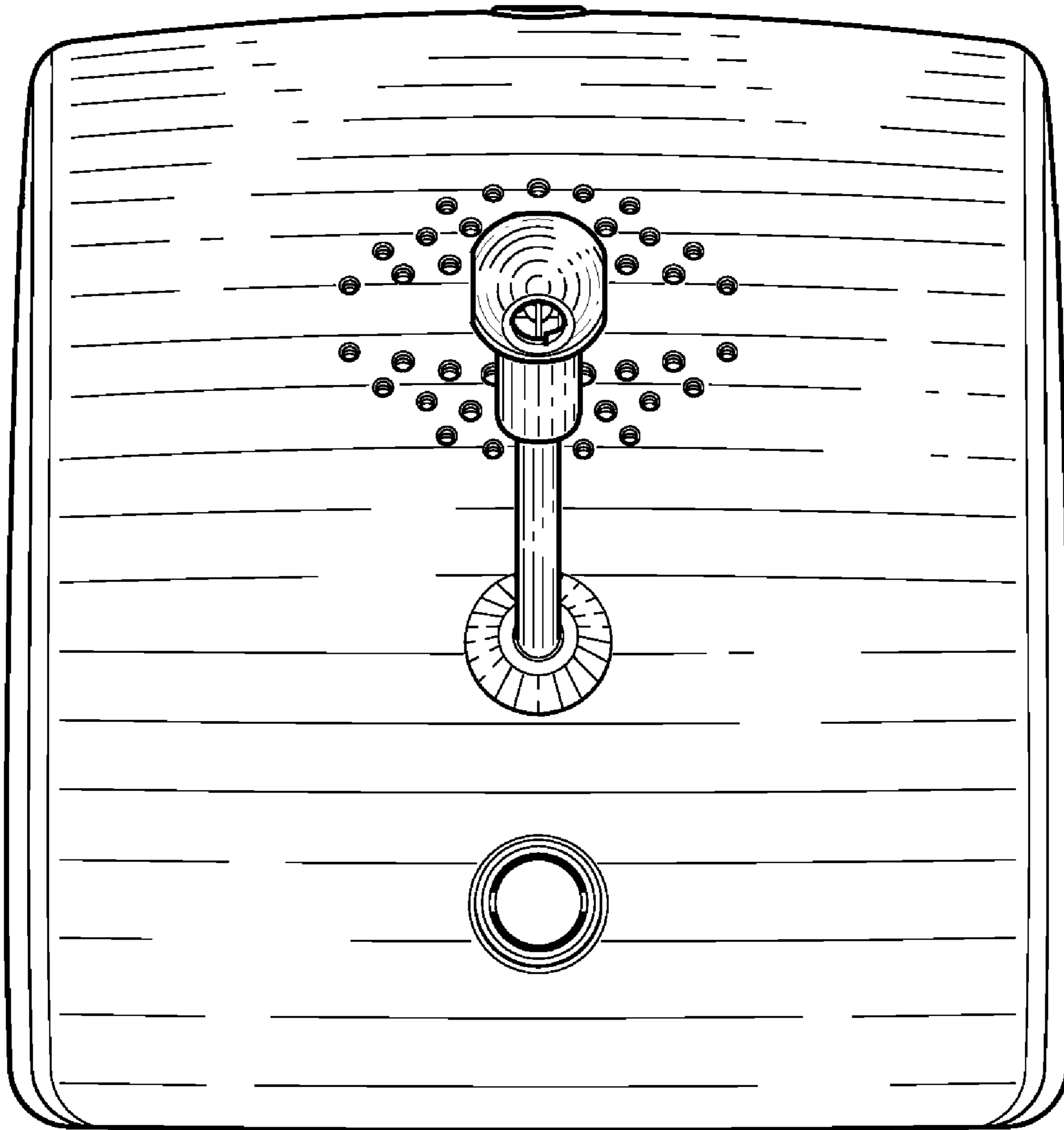


FIG.3

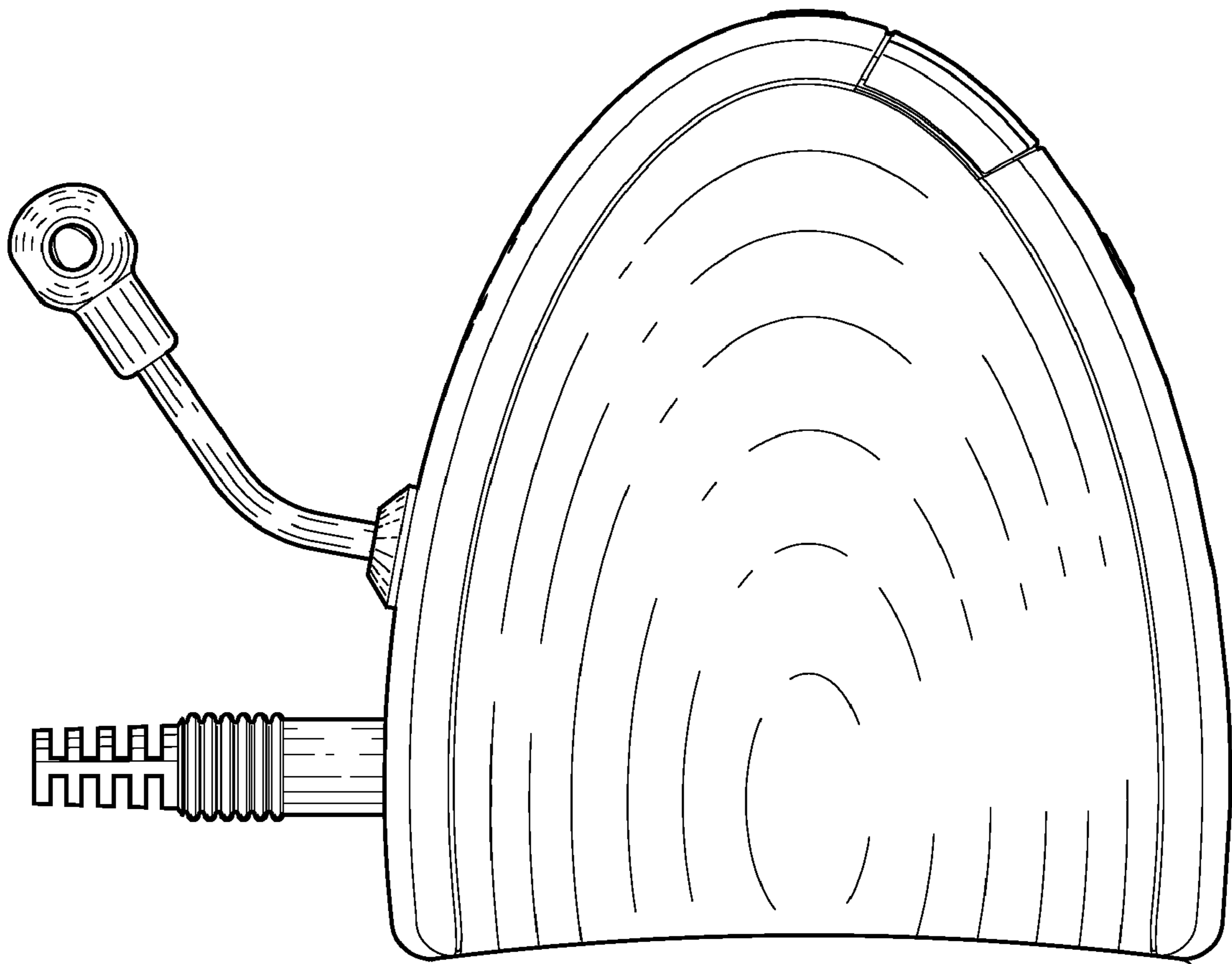


FIG.4

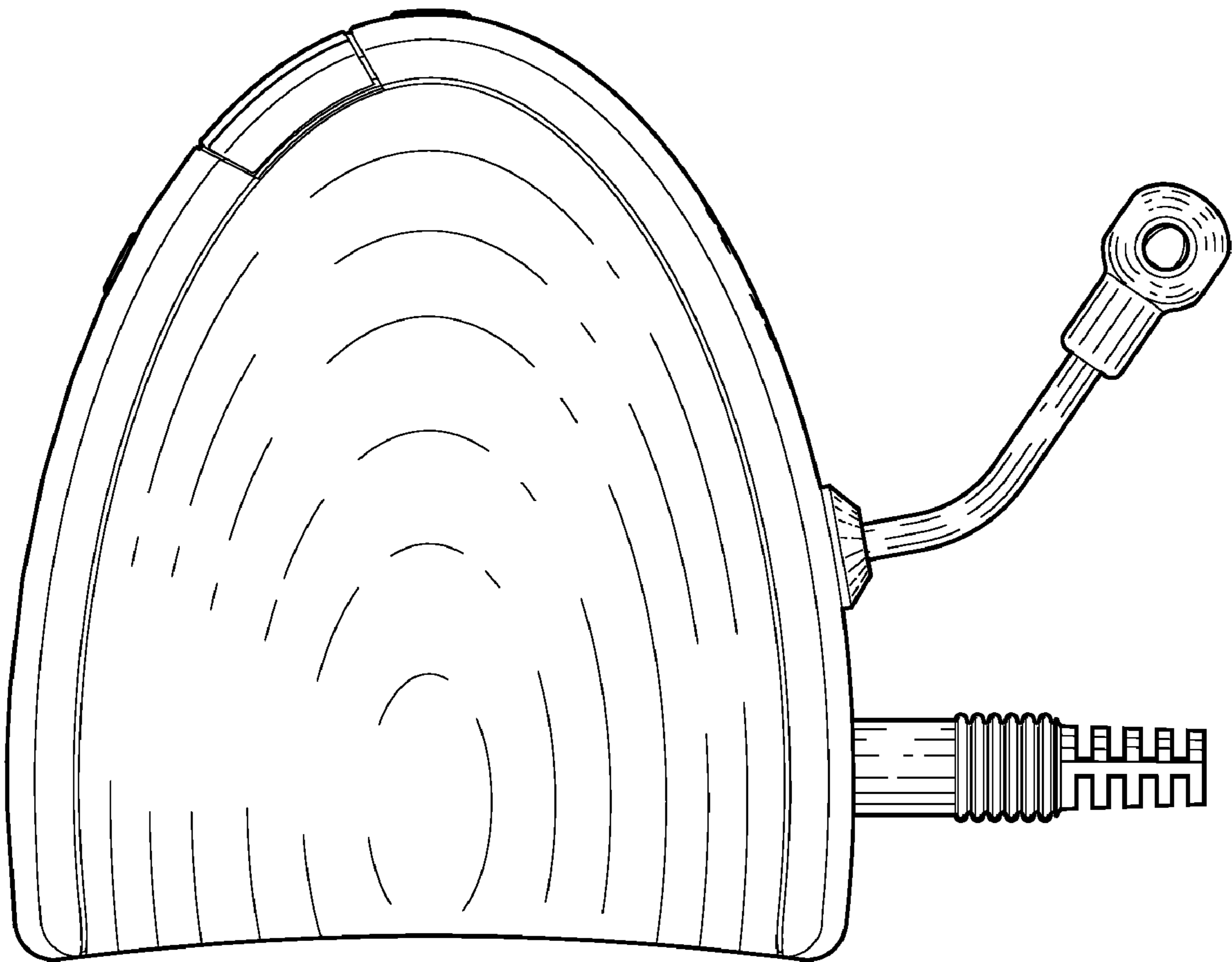


FIG.5

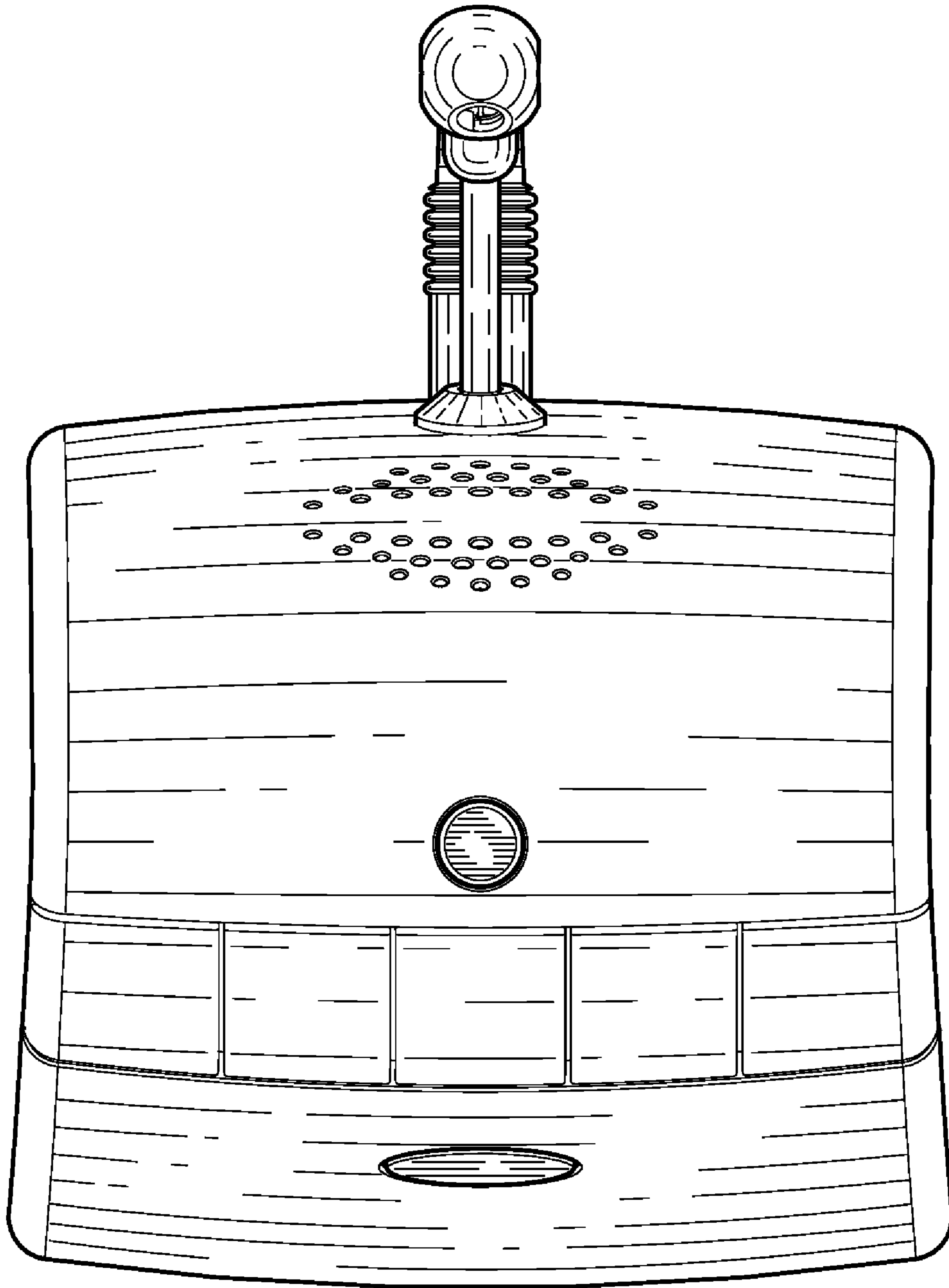


FIG.6

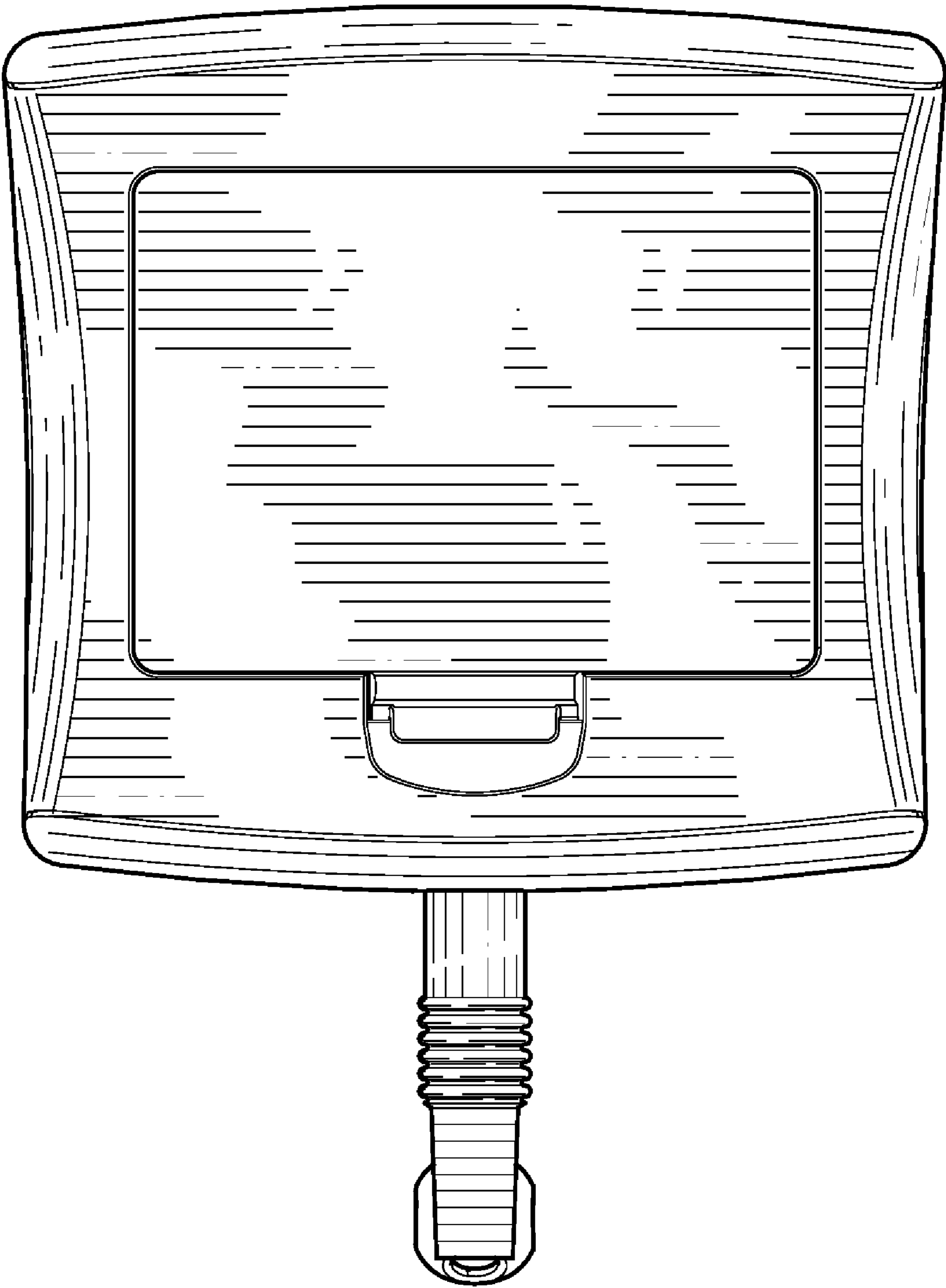


FIG. 7