



US00D597875S

(12) **United States Design Patent**
Au Yeung

(10) **Patent No.:** **US D597,875 S**
(45) **Date of Patent:** **** Aug. 11, 2009**

(54) **BICYCLE PEDOMETER**
(75) Inventor: **Kwok Keung Au Yeung**, New Territories (HK)
(73) Assignee: **Ariel Premium Supply, Inc.**, St. Louis, MO (US)

D555,019 S 11/2007 Au Yeung
D560,653 S 1/2008 Au Yeung
D573,490 S 7/2008 Au Yeung
D578,417 S * 10/2008 Au Yeung D10/70
D578,418 S 10/2008 Au Yeung
D578,419 S * 10/2008 Au Yeung D10/70

(**) Term: **14 Years**
(21) Appl. No.: **29/329,959**
(22) Filed: **Dec. 23, 2008**

(51) **LOC (9) Cl.** **10-04**
(52) **U.S. Cl.** **D10/70**
(58) **Field of Classification Search** D10/70;
235/95 C, 105; 377/5, 24.2, 26; 702/155,
702/160, 176, 78, 79, 82, 91-95, 104, 116,
702/141, 150, 151, 154; 73/514.33, 514.34;
324/522

See application file for complete search history.

(56) **References Cited**
U.S. PATENT DOCUMENTS

D312,046 S	11/1990	Ruehlemann
D312,049 S	11/1990	Ruehlemann
D502,654 S	3/2005	Nishiura
D525,889 S	8/2006	Oas
D528,024 S	9/2006	Bhavnani
D528,445 S	9/2006	Au Yeung
D531,072 S	10/2006	Au Yeung
D543,877 S	6/2007	Bhavnani
D545,700 S	7/2007	Man
D555,018 S	11/2007	Au Yeung

OTHER PUBLICATIONS

U.S. Appl. No. 29/320,094, filed Jun. 19, 2008, Au Yeung.
U.S. Appl. No. 29/324,797, filed Sep. 19, 2008, Au Yeung.

* cited by examiner

Primary Examiner—Antoine D Davis
(74) *Attorney, Agent, or Firm*—Intellectual Property Law Group LLP; Juneko Jackson; Otto O. Lee

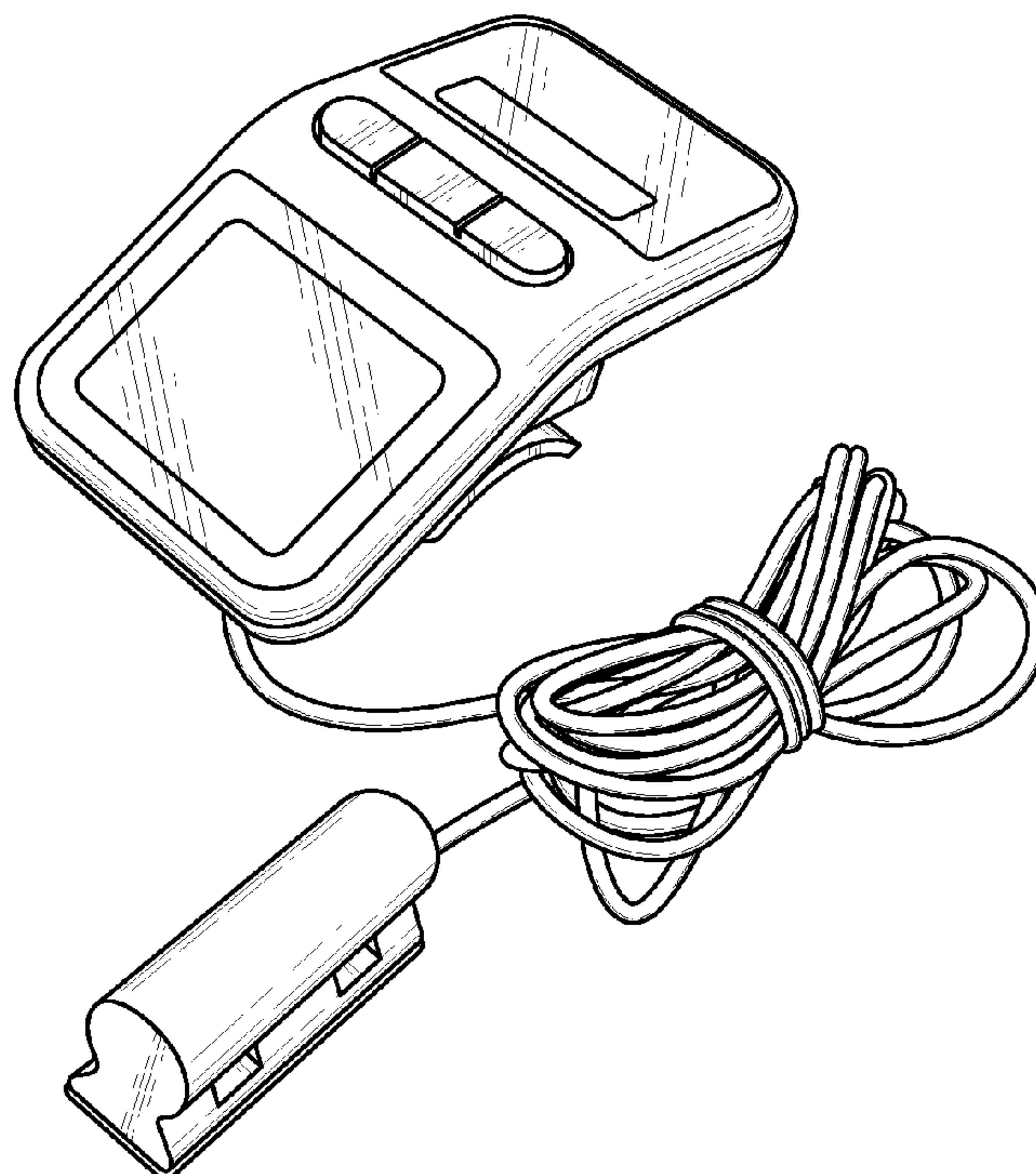
(57) **CLAIM**

The ornamental design for a bicycle pedometer, as shown and described.

DESCRIPTION

FIG. 1 is a top perspective view of a bicycle pedometer embodying my new design;
FIG. 2 is a bottom perspective view thereof;
FIG. 3 is a front view thereof;
FIG. 4 is a rear view thereof;
FIG. 5 is a right side view thereof;
FIG. 6 is a left side view thereof;
FIG. 7 is a top view thereof; and,
FIG. 8 is a bottom view thereof.

1 Claim, 3 Drawing Sheets



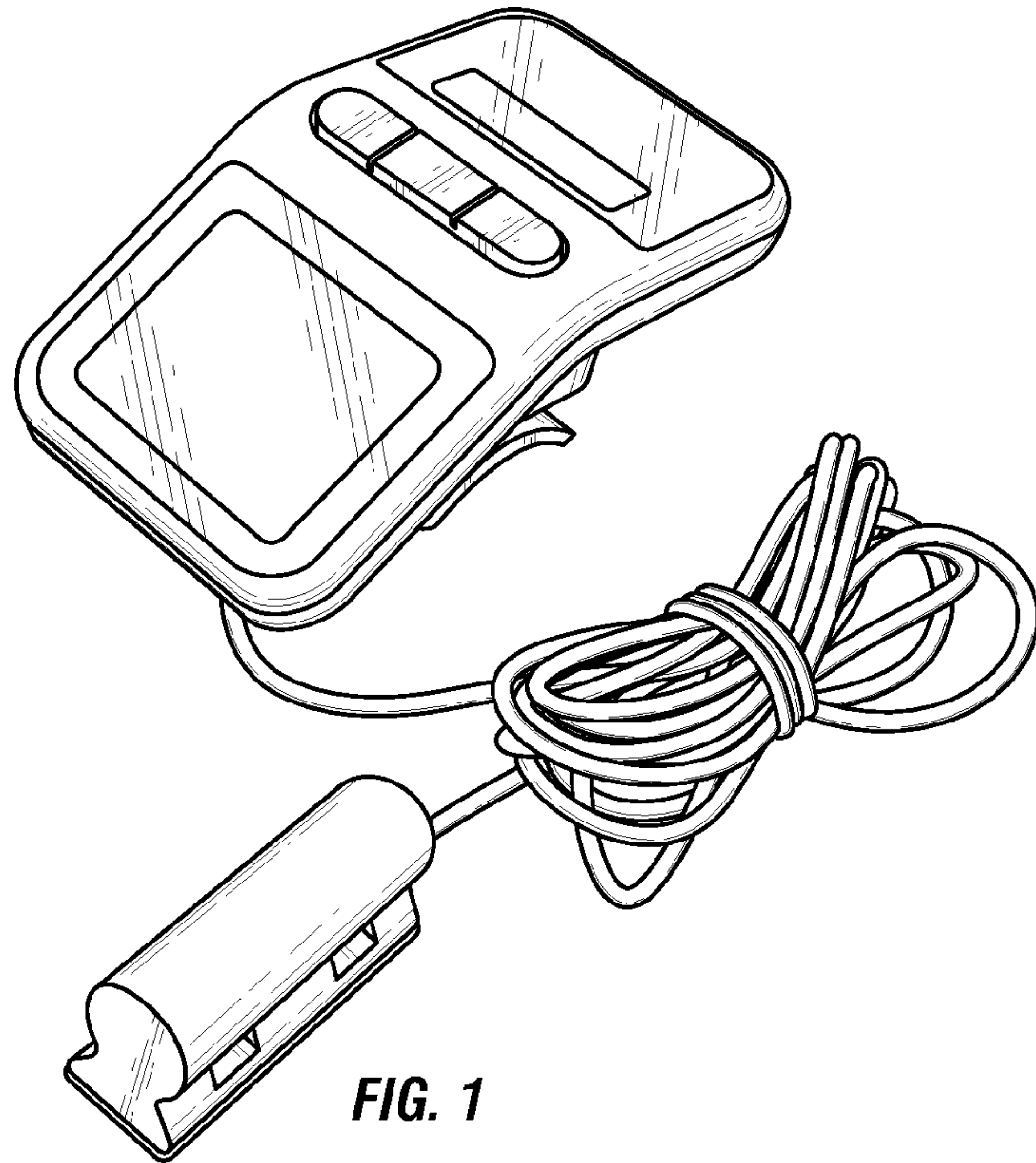


FIG. 1

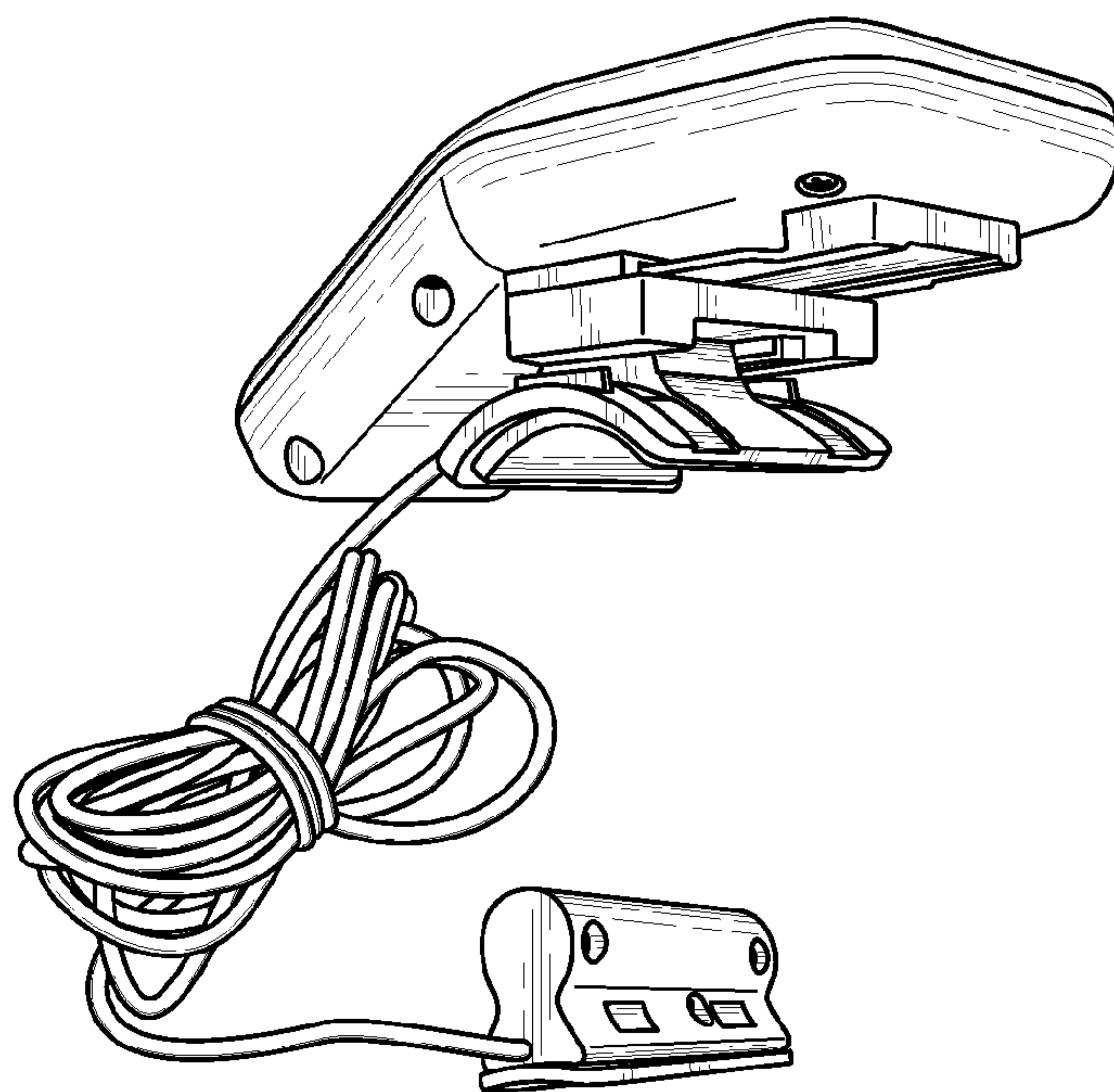


FIG. 2

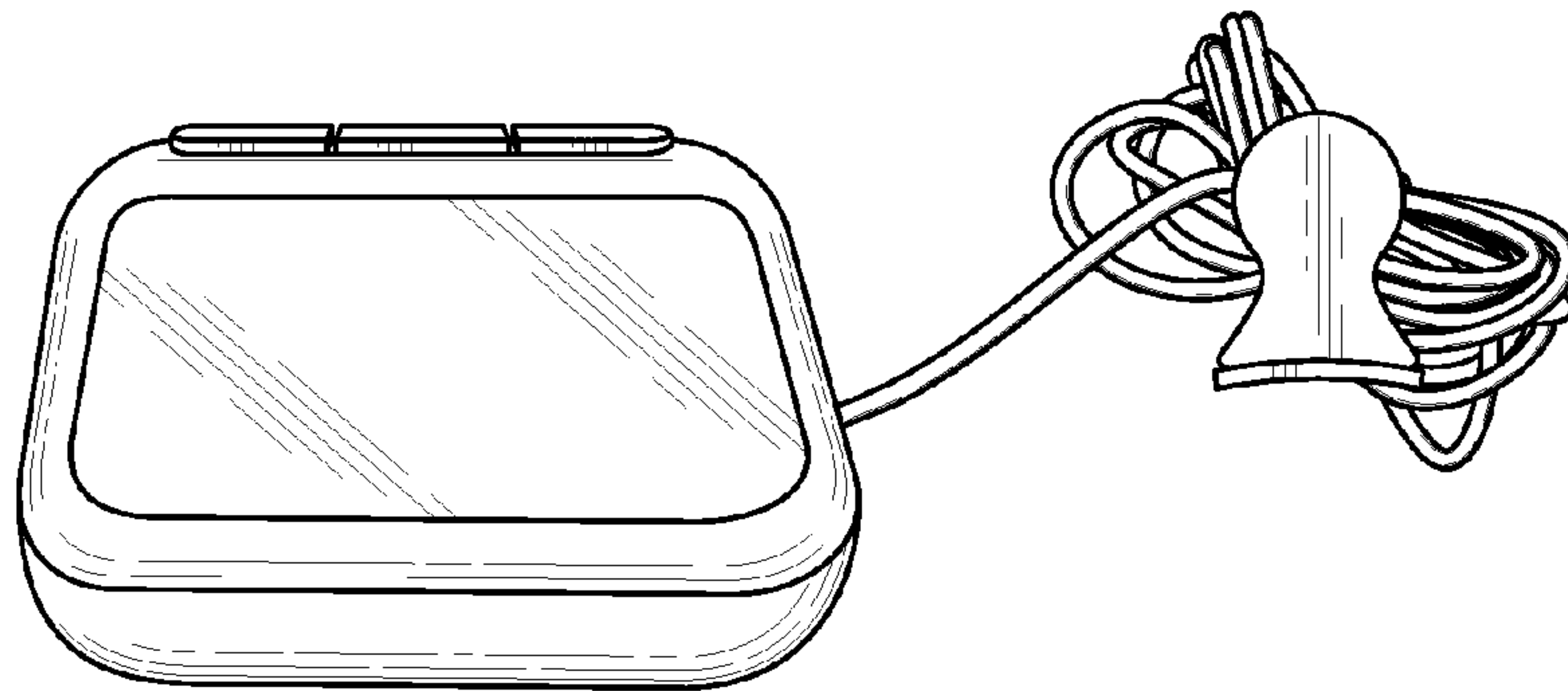


FIG. 3

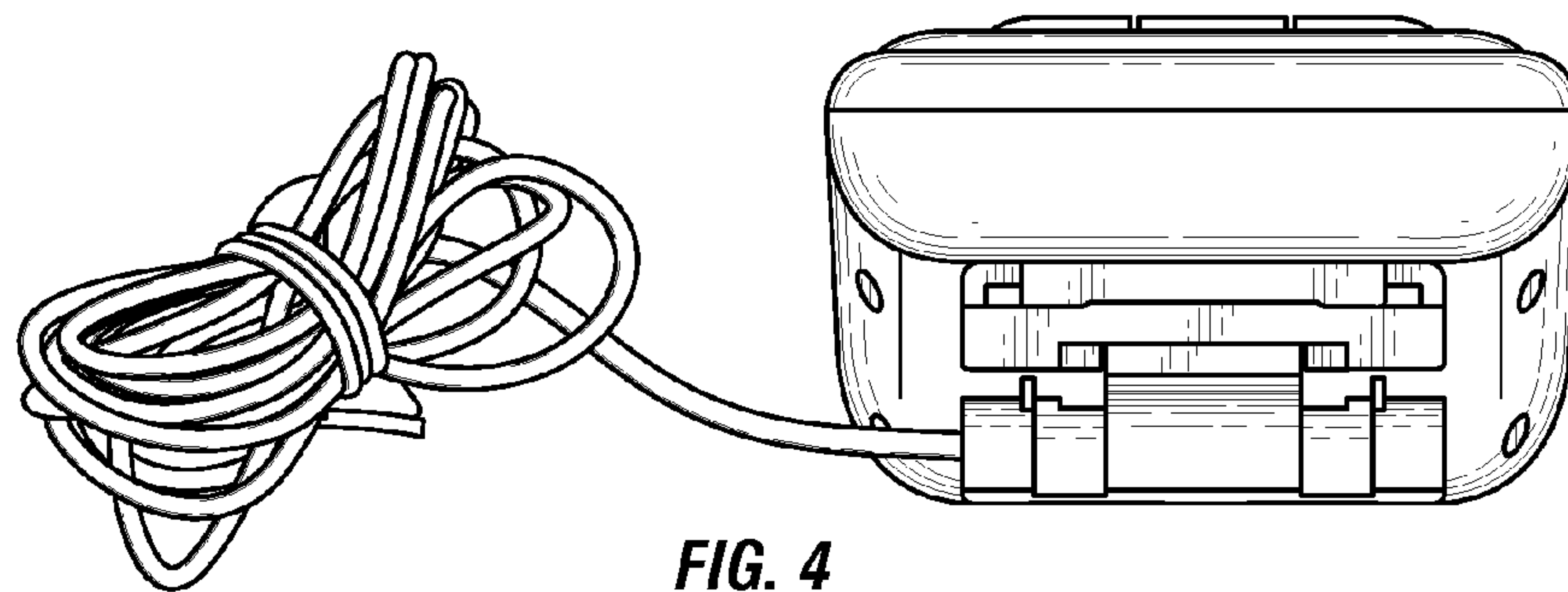


FIG. 4

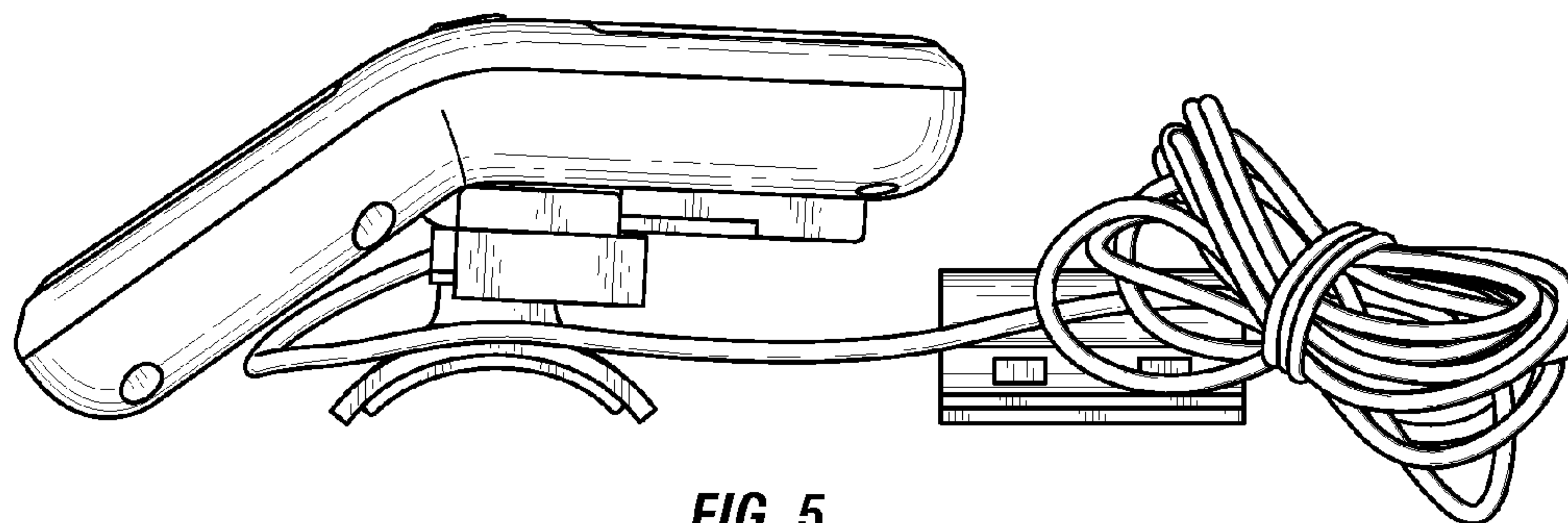


FIG. 5

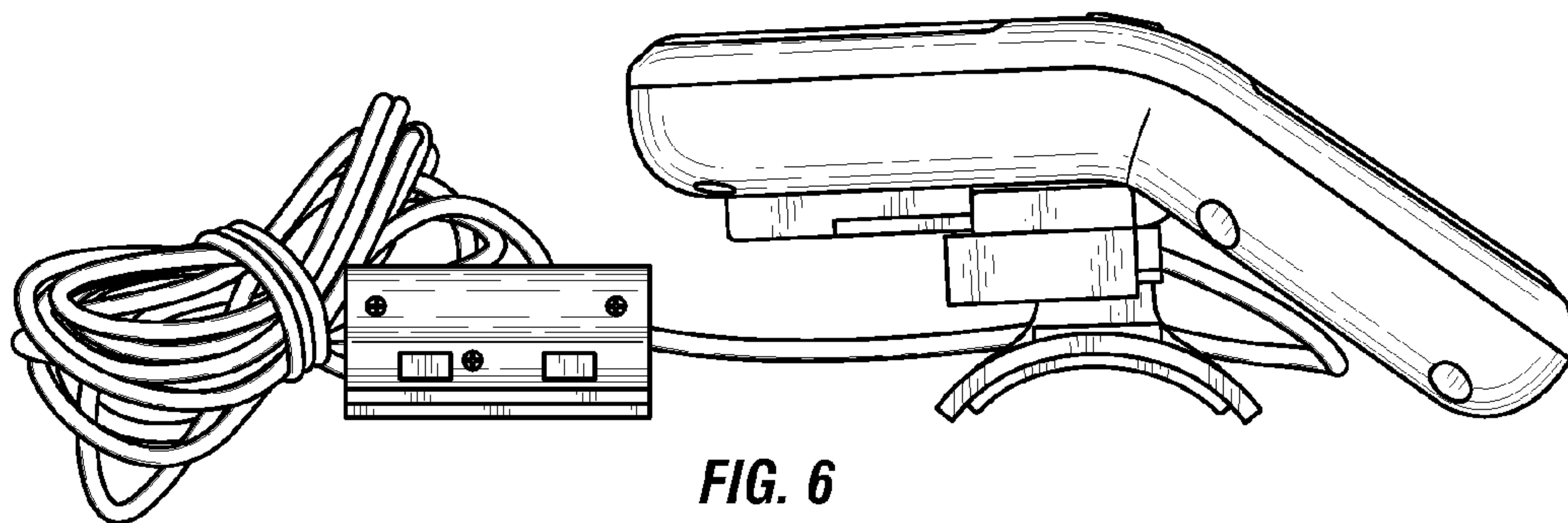


FIG. 6

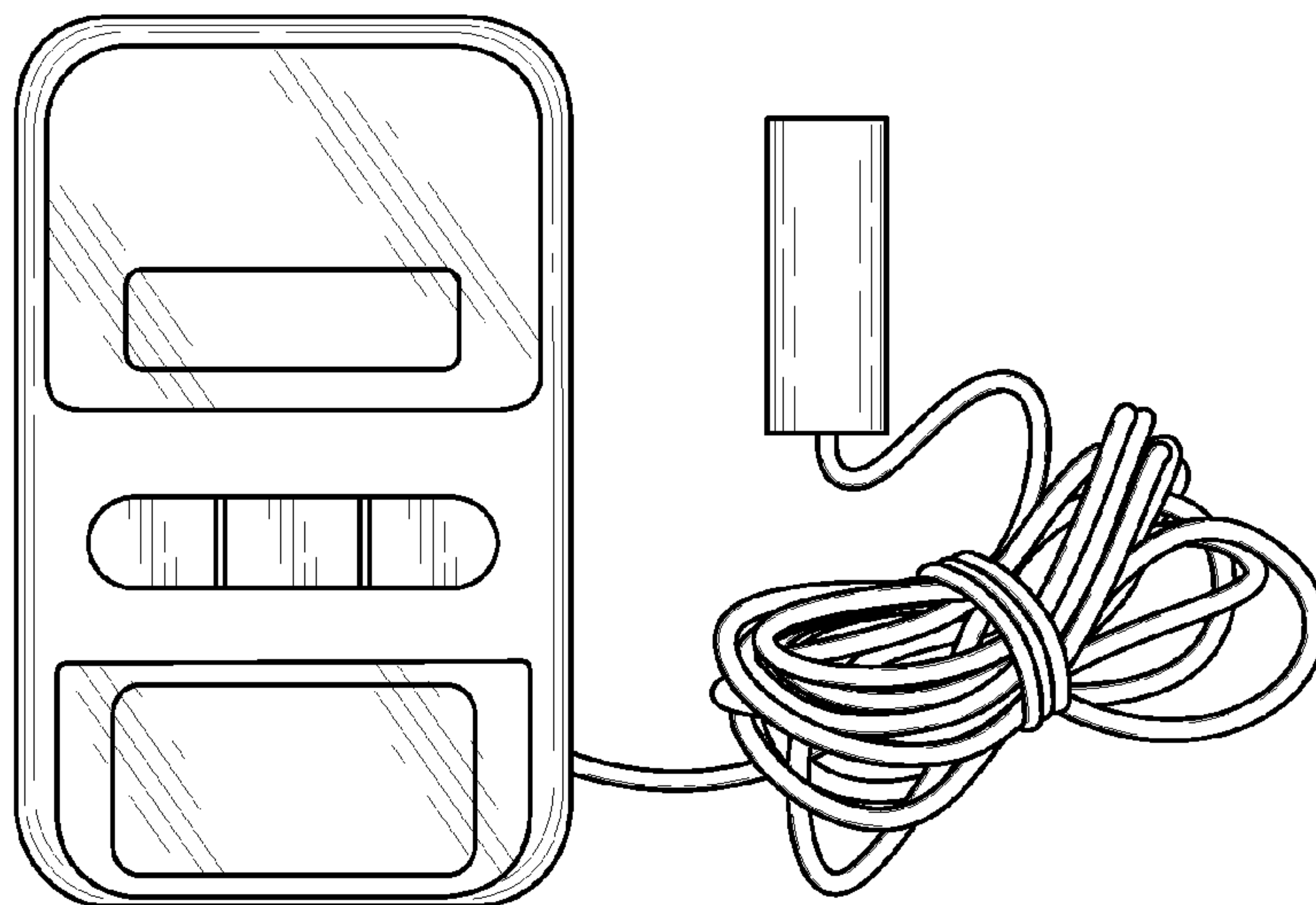


FIG. 7

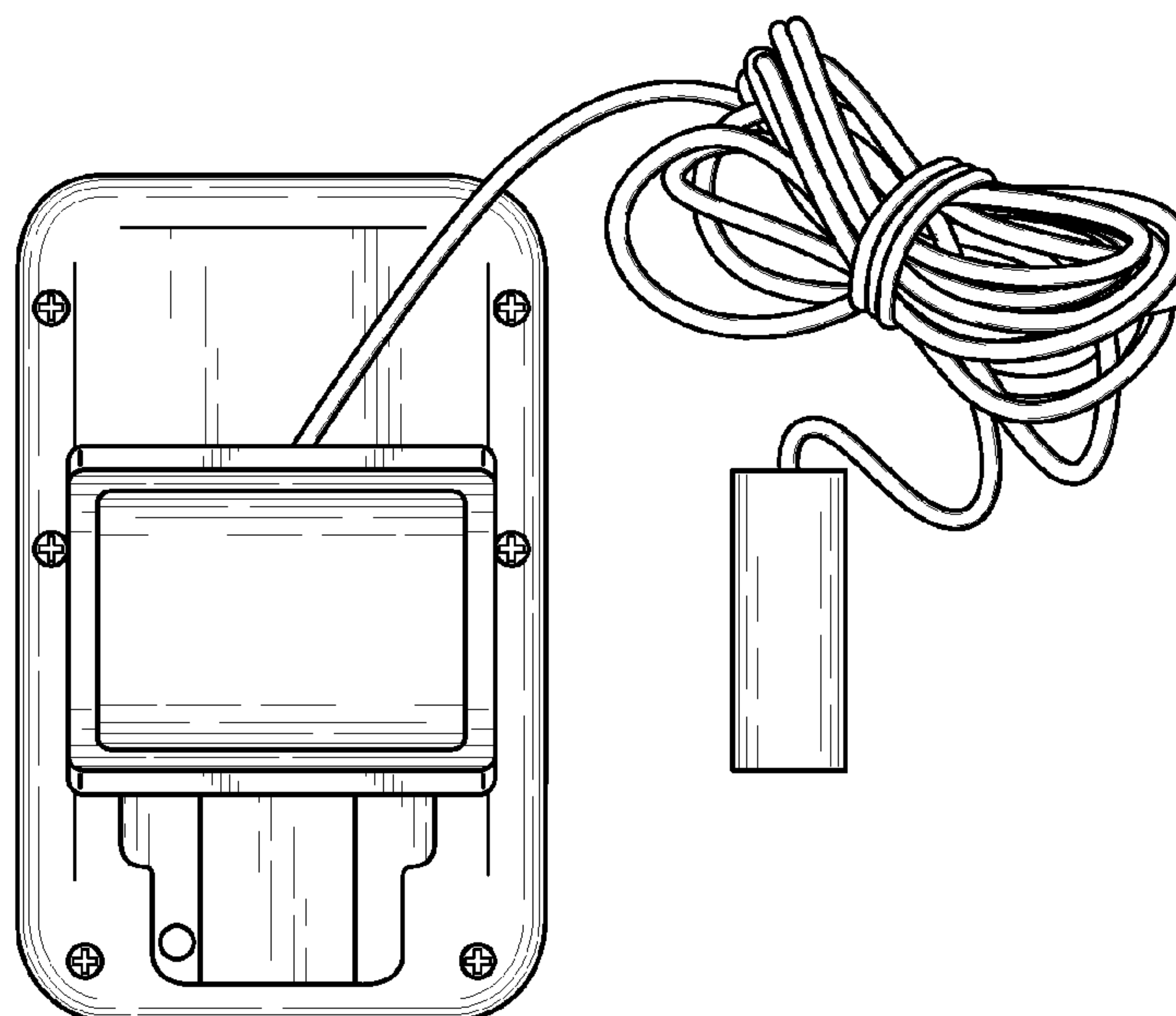


FIG. 8