



US00D597874S

(12) **United States Design Patent**  
**Dahlin et al.**

(10) **Patent No.:** **US D597,874 S**  
(45) **Date of Patent:** **\*\* Aug. 11, 2009**

(54) **TELESCOPING MEASURING STICK**

(75) Inventors: **Frederick R. Dahlin**, Columbia, MD (US); **Melvin Thomas Jackson**, North East, MD (US)

(73) Assignee: **Mumser, Inc.**, Columbia, MD (US)

(\*\*) Term: **14 Years**

(21) Appl. No.: **29/309,853**

(22) Filed: **Oct. 28, 2008**

(51) **LOC (9) Cl.** ..... **10-04**

(52) **U.S. Cl.** ..... **D10/70; D10/71**

(58) **Field of Classification Search** ..... **D10/70, D10/71; 33/2, 161, 169 R, 293-296**

See application file for complete search history.

(56) **References Cited**

U.S. PATENT DOCUMENTS

987,873 A 3/1911 Grissom  
2,466,205 A 4/1949 Burr

(Continued)

OTHER PUBLICATIONS

“Autohauler Supply—Product >> Height Stick”; <http://www.autohaulersupply.com/index.php?action=item&id=4915>; 2 pages with “Additional Product Images” included as a 3rd page, Dec. 2, 2008.

*Primary Examiner*—Antoine D Davis

(74) *Attorney, Agent, or Firm*—Rosenberg, Klein & Lee

(57) **CLAIM**

The ornamental design for a “telescoping measuring stick,” as shown and described.

**DESCRIPTION**

FIG. 1 is a perspective view of a telescoping measuring stick in an extended position showing my new design;

FIG. 2 is a right side elevation view thereof;

FIG. 3 is a left side elevation view thereof;

FIG. 4 is a bottom plan view thereof;

FIG. 5 is a top plan view thereof;

FIG. 6 is front elevation view thereof;

FIG. 7 is a rear elevation view thereof;

FIG. 8 is an enlarged fragmentary perspective view, showing the locking pivotal coupling of a horizontal member;

FIG. 9 is an enlarged fragmentary left side elevation view, showing the locking pivotal coupling of the horizontal member;

FIG. 10 is an enlarged fragmentary right side elevation view, showing the locking pivotal coupling for the horizontal member;

FIG. 11 is an enlarged fragmentary front elevation view, showing the locking pivotal coupling for the horizontal member;

FIG. 12 is an enlarged fragmentary rear elevation view, showing the locking pivotal coupling for the horizontal member;

FIG. 13 is an enlarged fragmentary top plan view, showing the locking pivotal coupling for the horizontal member;

FIG. 14 is an enlarged fragmentary bottom plan view taken along the section line 14—14 in FIG. 9, showing the locking pivotal coupling for the horizontal member;

FIG. 15 is an enlarged fragmentary elevation view thereof showing the region designated as FIG. XV in FIG. 3;

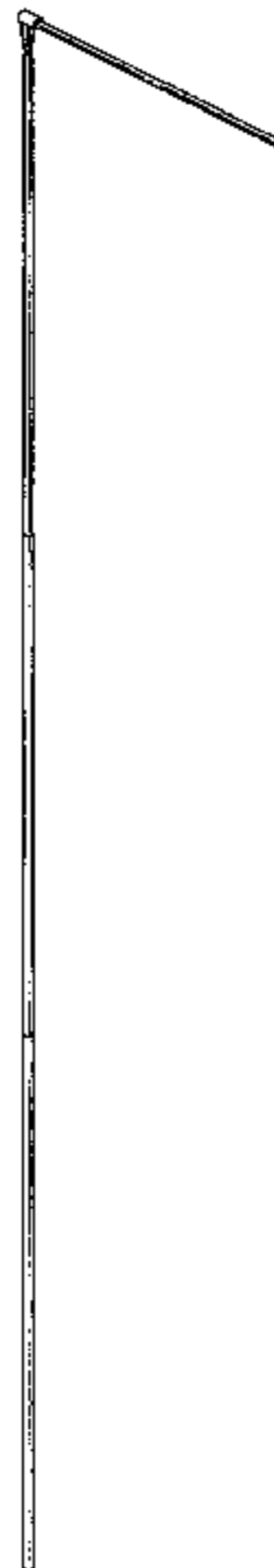
FIG. 16 is an enlarged fragmentary elevation view thereof showing the region designated as FIG. XVI in FIG. 3;

FIG. 17 is an enlarged fragmentary elevation view thereof showing the region designated as FIG. XVII in FIG. 3; and,

FIG. 18 is an enlarged fragmentary perspective view, showing the locking pivotal coupling of the horizontal member in a collapsed storage position.

The broken lines showing indicia in FIGS. 15 and 16 are for illustrative purposes only and do not form part of the claimed design.

**1 Claim, 11 Drawing Sheets**



# US D597,874 S

Page 2

---

U.S. PATENT DOCUMENTS					
			4,638,563 A	1/1987	Buniff
			4,695,025 A	9/1987	Vaughan
2,690,369 A	9/1954	Laskey et al.	D320,569 S *	10/1991	Goldberg ..... D10/70
2,854,261 A	9/1958	Spaide	5,873,175 A	2/1999	Johnston
3,547,054 A	12/1970	Caldwell	6,102,479 A	8/2000	Wallace
4,121,605 A	10/1978	Schmerl	6,616,367 B2	9/2003	Cheng
4,131,378 A	12/1978	Daws	6,679,643 B1	1/2004	Ham
4,141,665 A	2/1979	Snapp, Jr.			
D276,897 S *	12/1984	Woods ..... D10/70			* cited by examiner

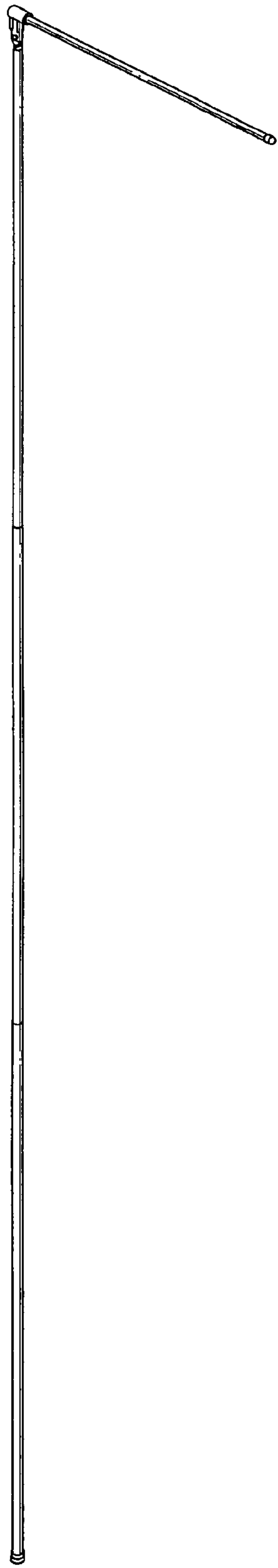


FIG. 1

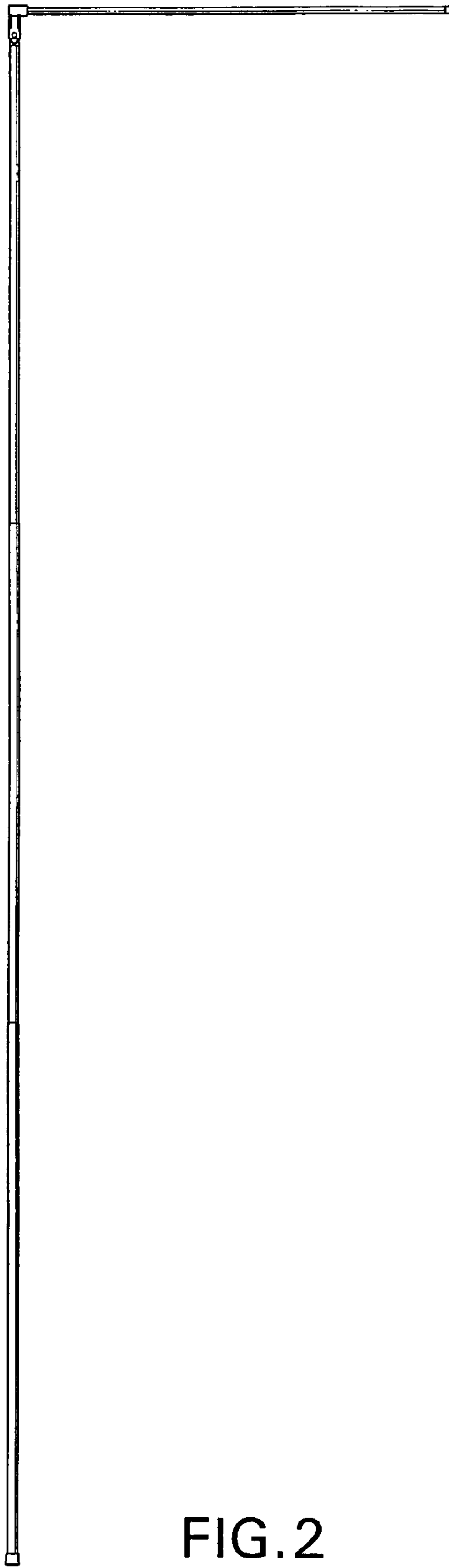


FIG. 2

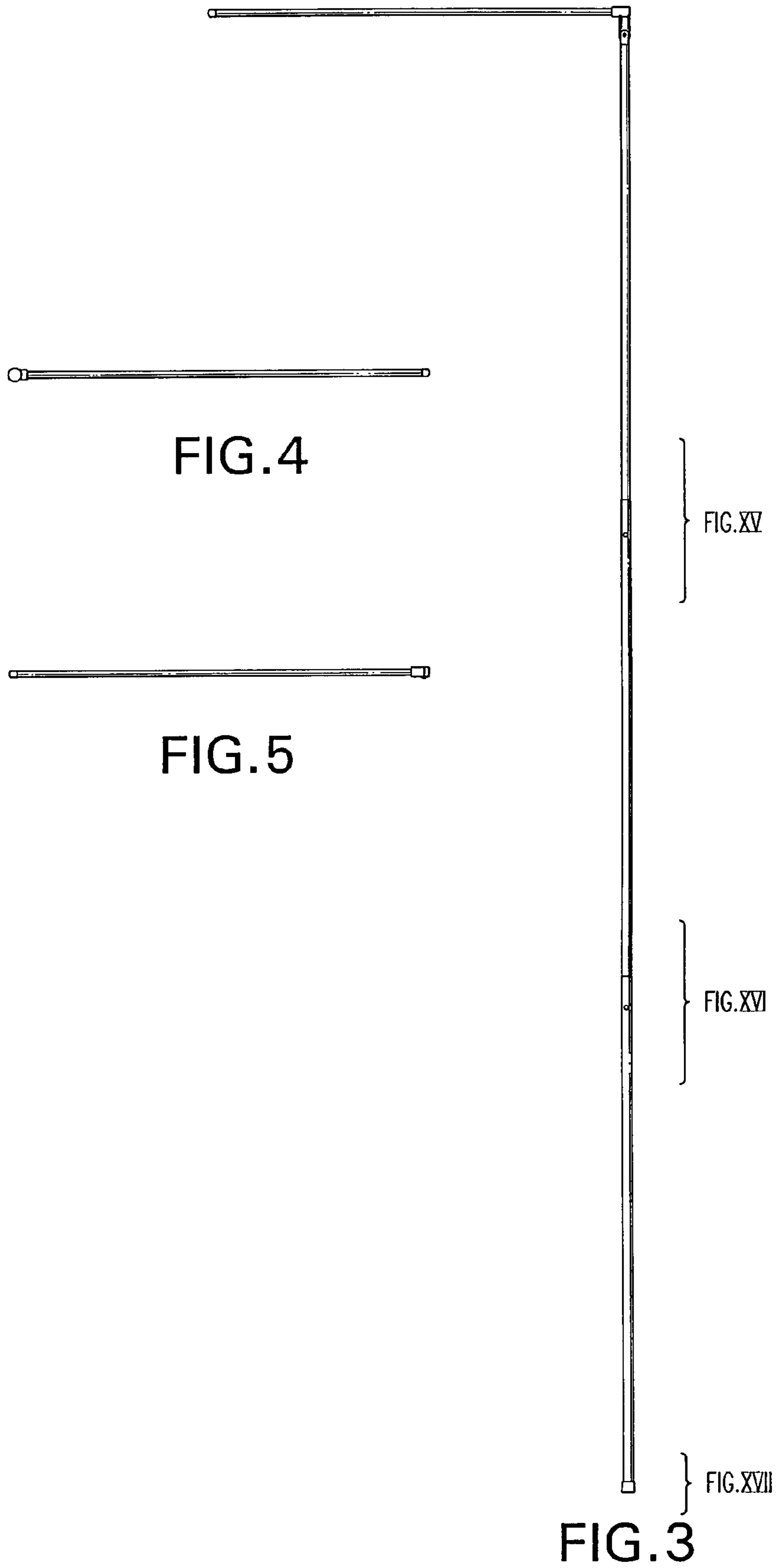




FIG. 6



FIG. 7

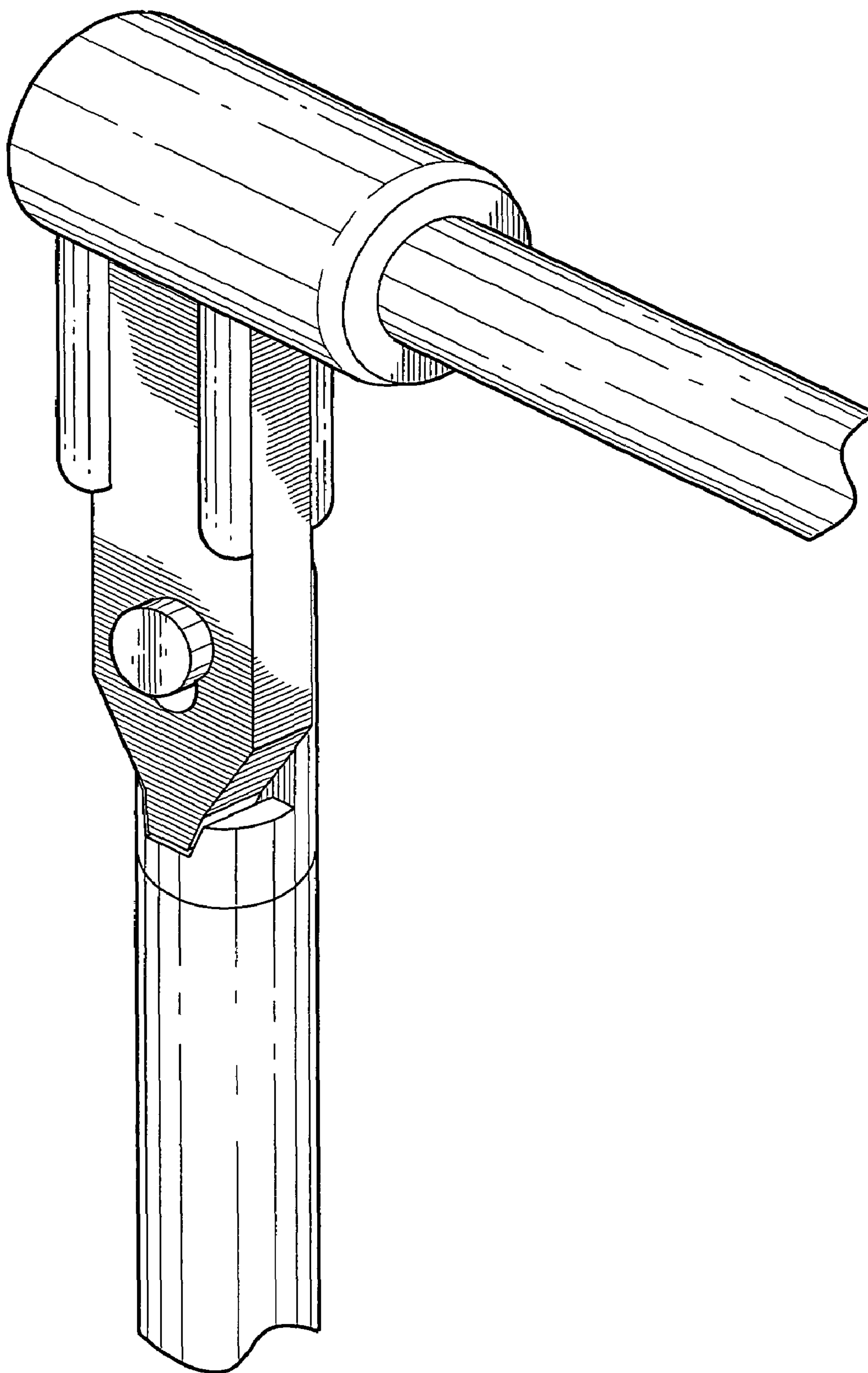


FIG. 8

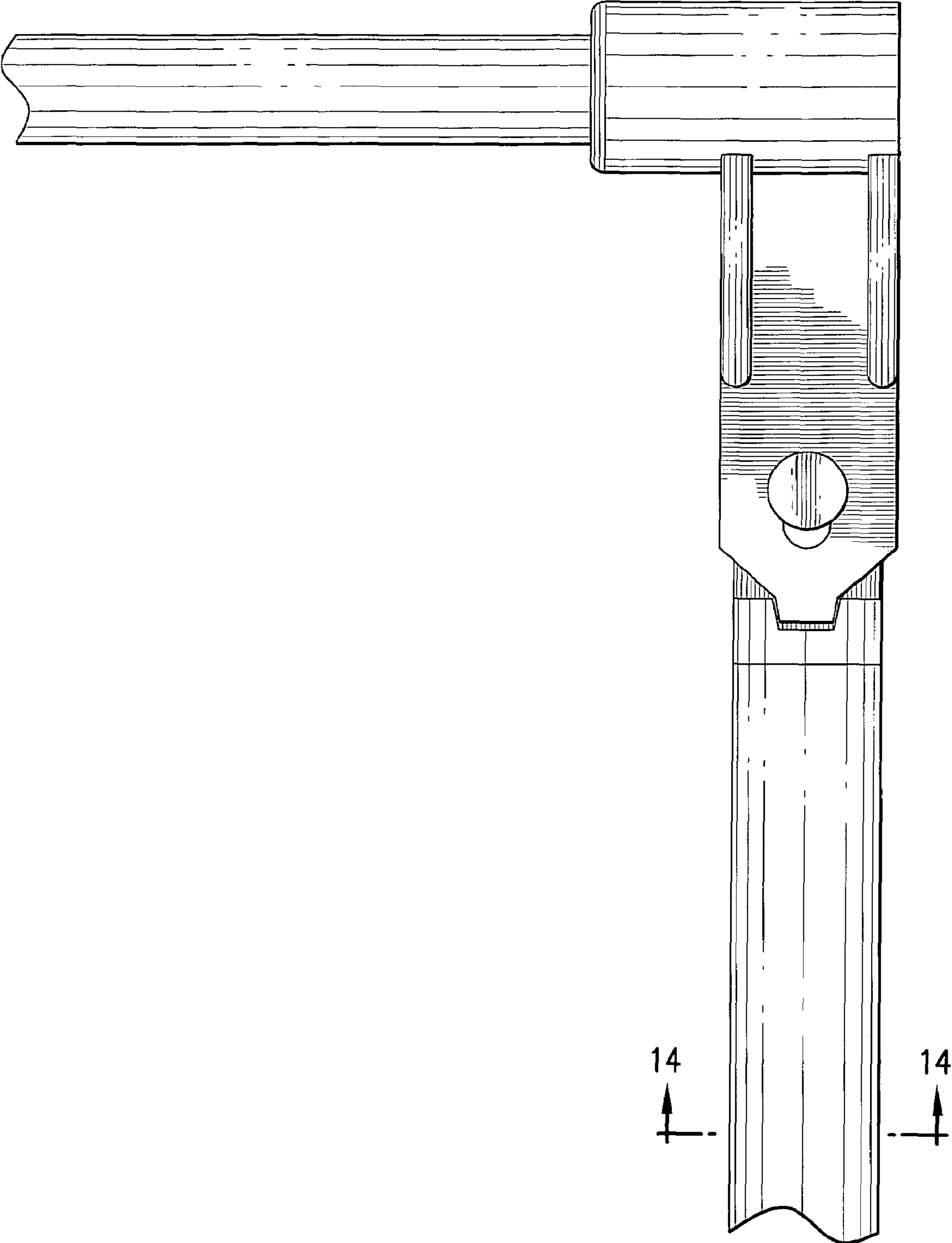


FIG. 9

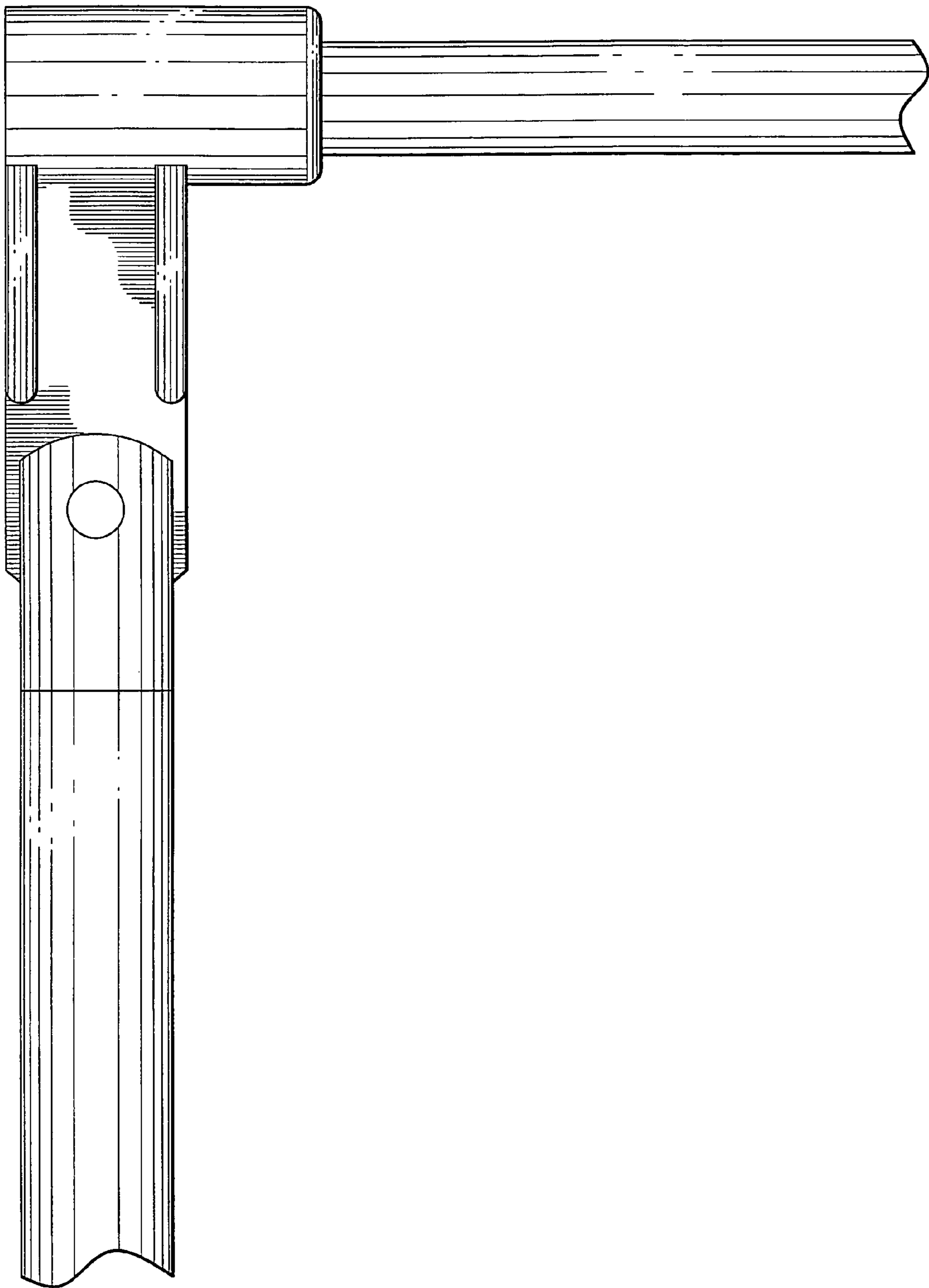


FIG. 10



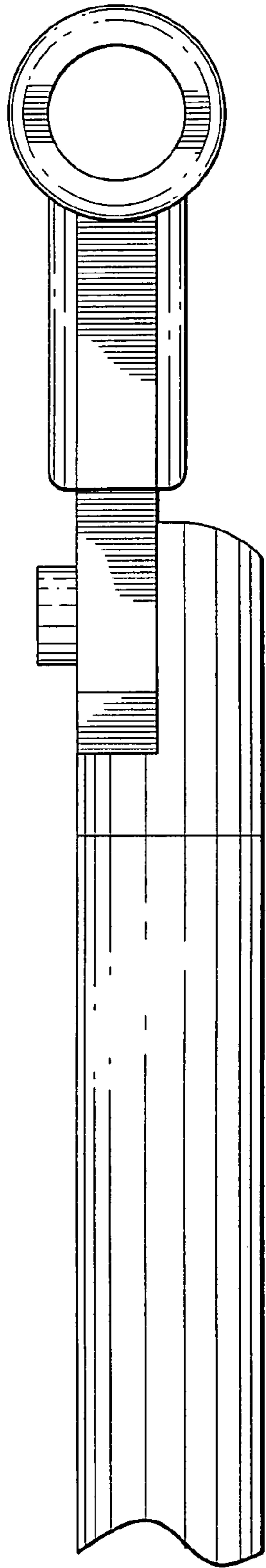


FIG. 11

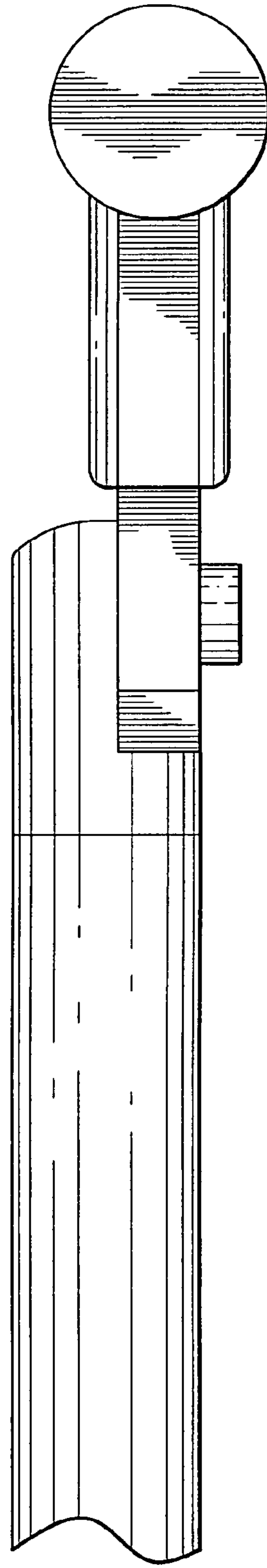


FIG. 12

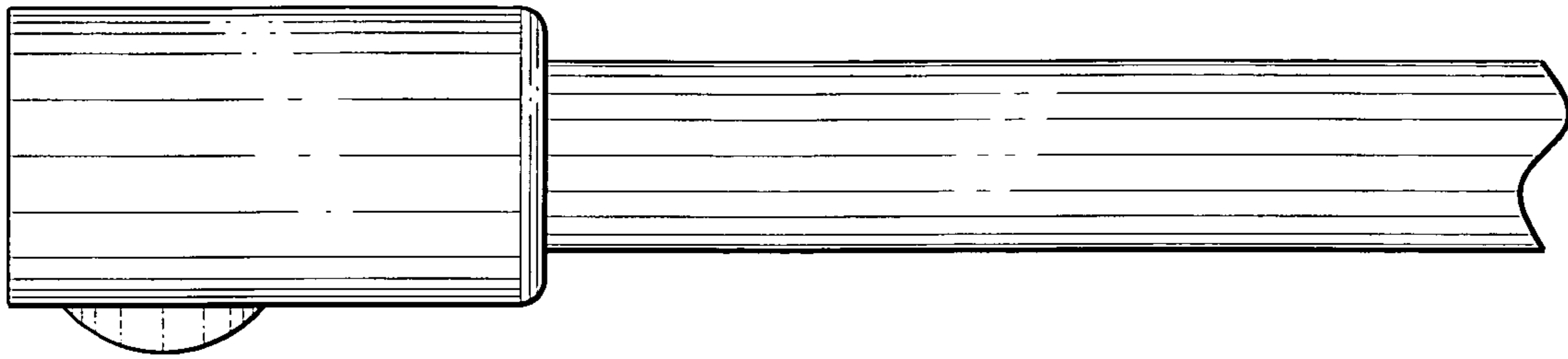


FIG. 13

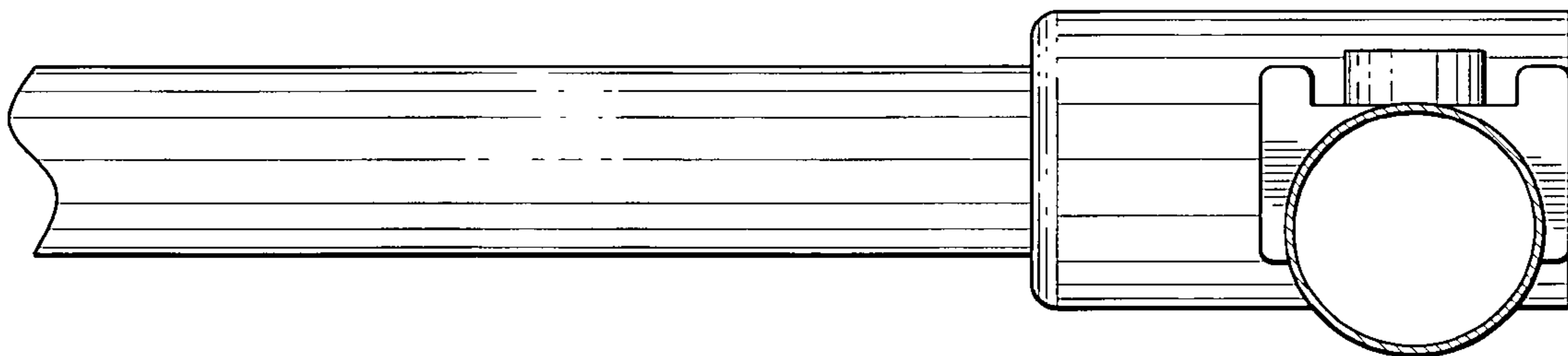


FIG. 14

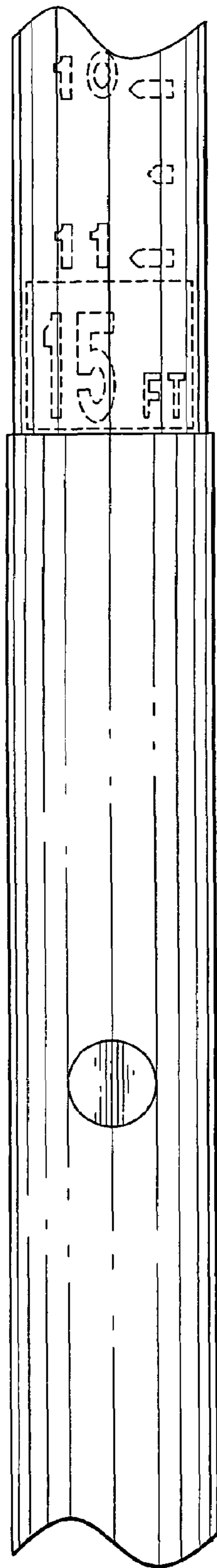


FIG. 15

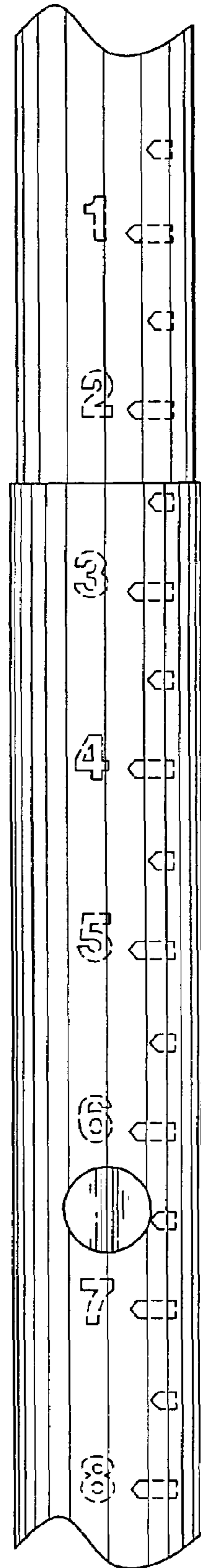


FIG. 16

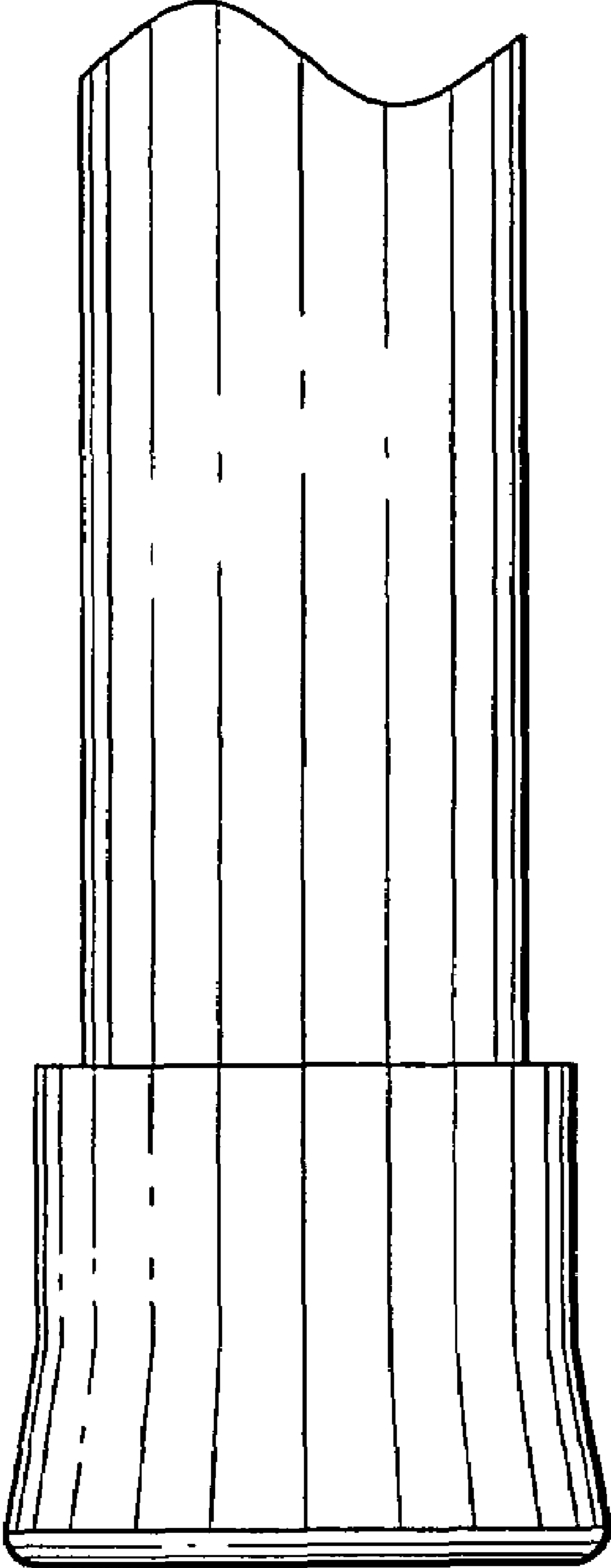


FIG. 17

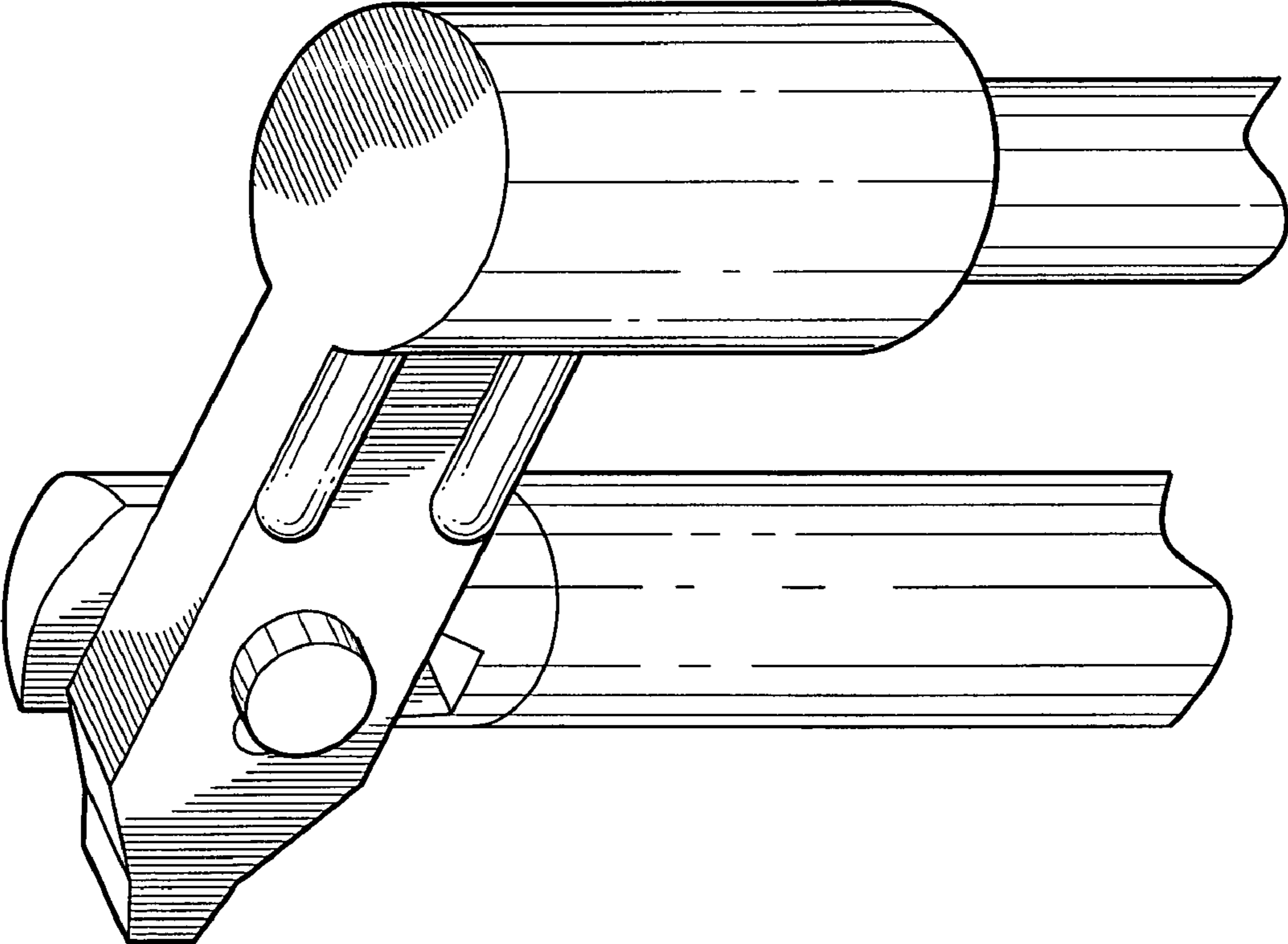


FIG. 18