



US00D597873S

(12) **United States Design Patent**  
**Gofer**

(10) **Patent No.:** **US D597,873 S**

(45) **Date of Patent:** **\*\* Aug. 11, 2009**

(54) **SPIRIT LEVEL DEVICE**

(76) **Inventor:** **Nitsan Gofer**, Masad 29, Masad (IL)  
14990

(\*\*) **Term:** **14 Years**

(21) **Appl. No.:** **29/320,645**

(22) **Filed:** **Jul. 1, 2008**

(51) **LOC (9) Cl.** ..... **10-04**

(52) **U.S. Cl.** ..... **D10/69**

(58) **Field of Classification Search** ..... D10/69;  
33/365, 366.11–366.27, 367–391

See application file for complete search history.

(56) **References Cited**

**U.S. PATENT DOCUMENTS**

- D332,226 S \* 1/1993 Hutchins et al. .... D10/69
- D395,013 S \* 6/1998 Webb ..... D10/69
- 6,782,628 B2 \* 8/2004 Liao ..... 33/384
- D513,198 S \* 12/2005 Levinson ..... D10/69
- D521,882 S \* 5/2006 Kim ..... D10/69

D582,302 S \* 12/2008 Johnson et al. .... D10/69

\* cited by examiner

*Primary Examiner*—Antoine D Davis

(57) **CLAIM**

The ornamental design for a spirit level device, as it is shown and described.

**DESCRIPTION**

FIG. 1 is a side view of the spirit level device of the design of the present invention.

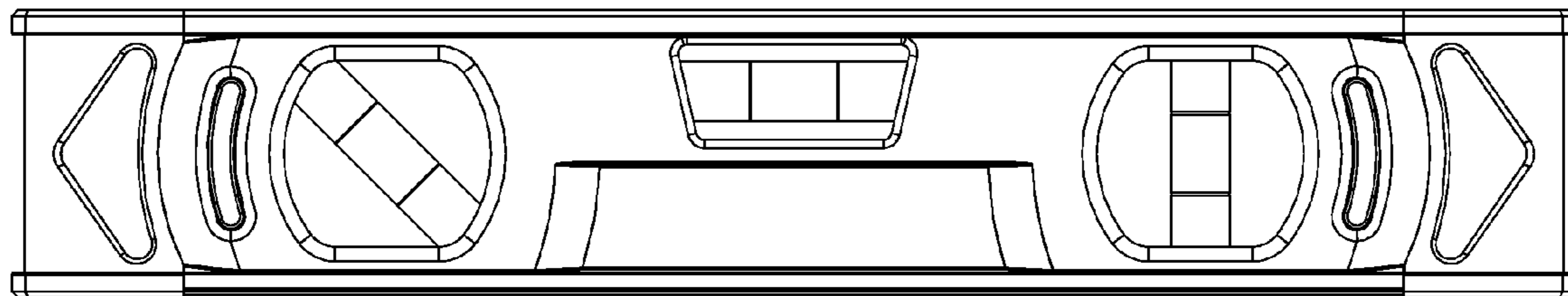
FIG. 2 is a top view of the spirit level device of the design of the present invention.

FIG. 3 is a bottom view of the spirit level device of the design of the present invention.

FIG. 4 is an isometric view of the spirit level device of the design of the present invention; and,

FIG. 5 is a front view of the spirit level device of the design of the present invention.

**1 Claim, 1 Drawing Sheet**



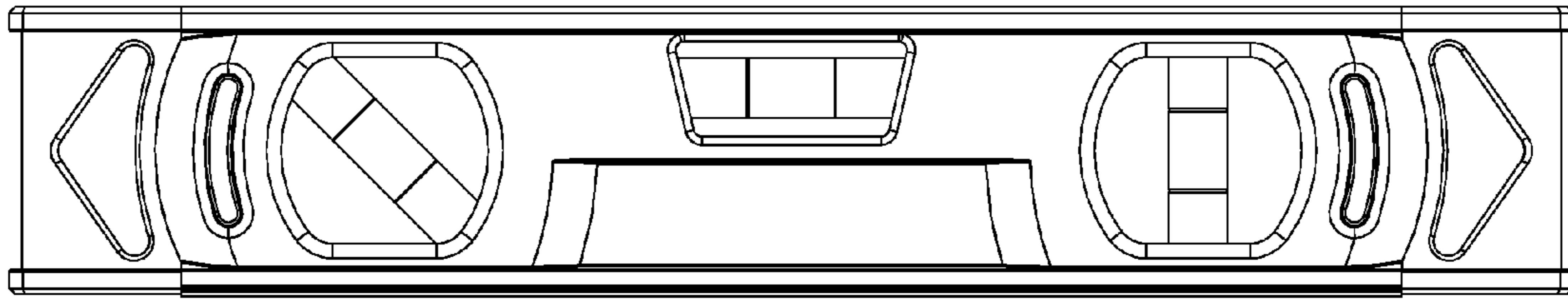


Fig. 1

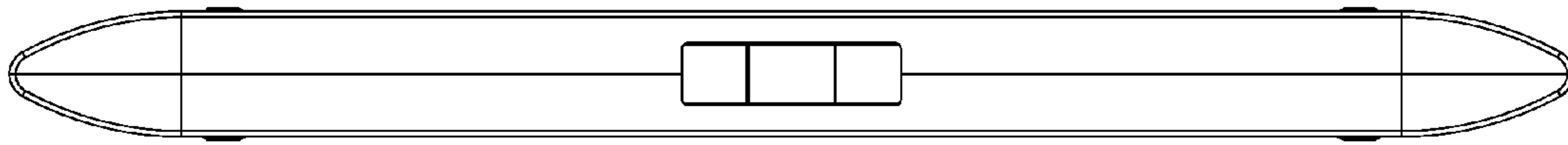


Fig. 2

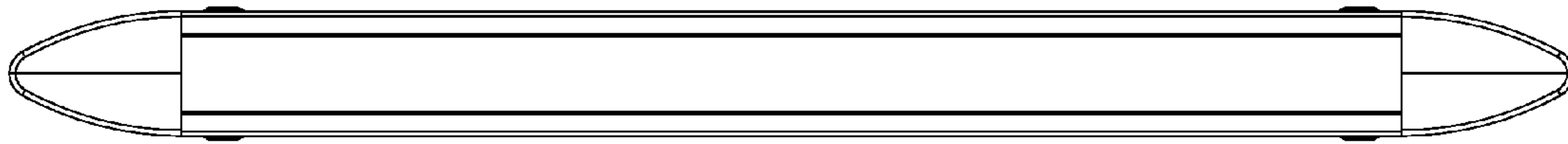


Fig. 3

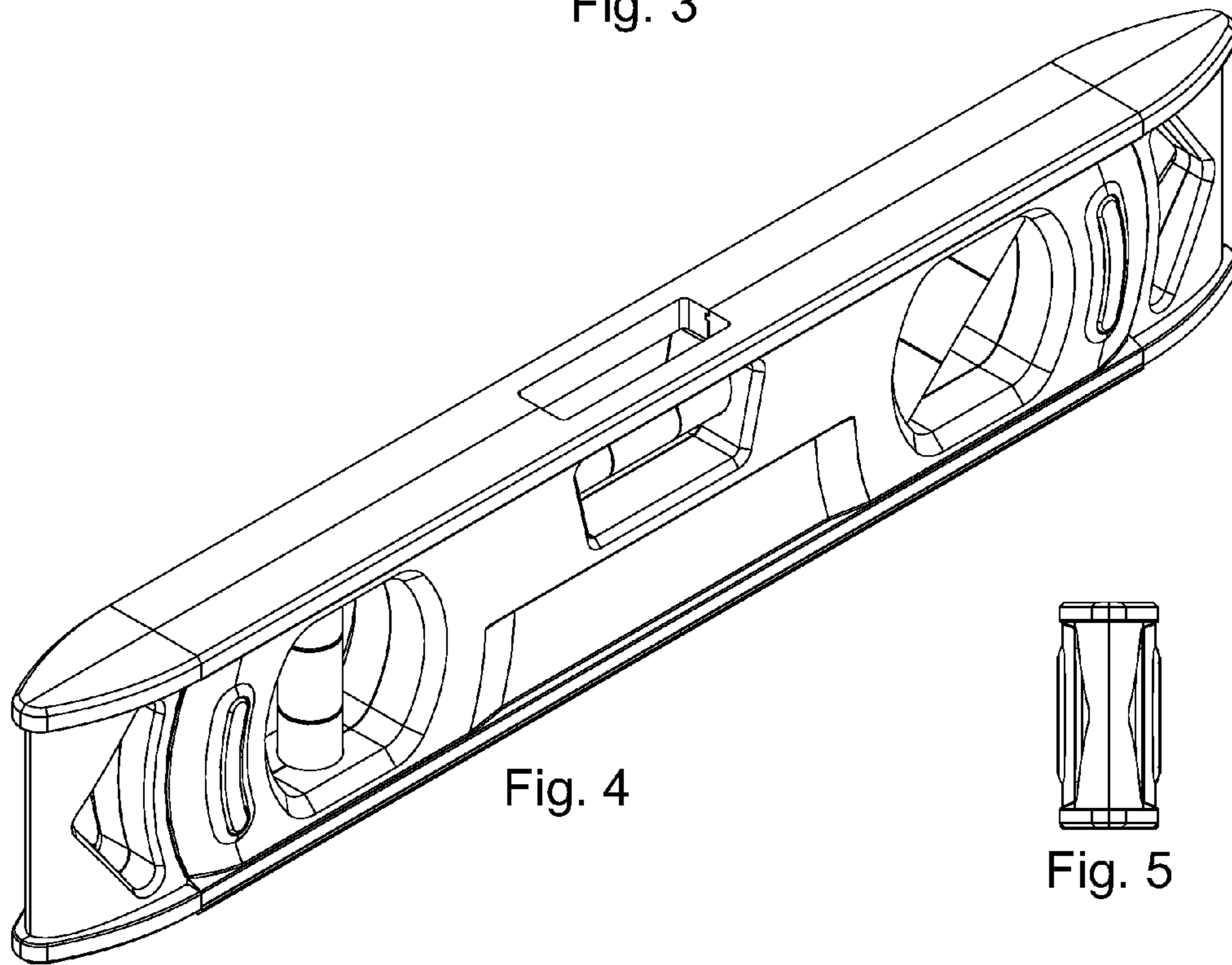


Fig. 4

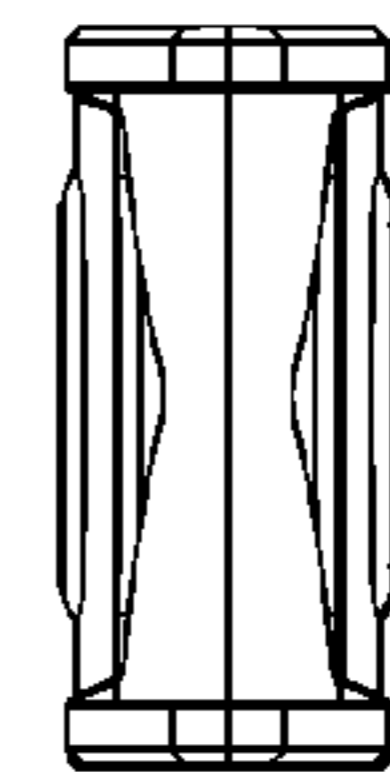


Fig. 5