



US00D597872S

(12) **United States Design Patent**
Gofer

(10) **Patent No.:** **US D597,872 S**

(45) **Date of Patent:** **** Aug. 11, 2009**

(54) **SPIRIT LEVEL DEVICE**

Primary Examiner—Antoine D Davis

(76) Inventor: **Nitsan Gofer**, Masad 29, Masad (IL)
14990

(57) **CLAIM**

The ornamental design for a spirit level device, as it is shown and described.

(**) Term: **14 Years**

(21) Appl. No.: **29/320,563**

(22) Filed: **Jun. 30, 2008**

DESCRIPTION

(51) **LOC (9) Cl.** **10-04**

FIG. 1 is a side view of the spirit level device of the design of the present invention.

(52) **U.S. Cl.** **D10/69**

FIG. 2 is a top view of the spirit level device of the design of the present invention.

(58) **Field of Classification Search** D10/69;
33/365, 366.11–366.27, 367–391

FIG. 3 is a bottom view of the spirit level device of the design of the present invention.

See application file for complete search history.

FIG. 4 is an isometric view of the spirit level device of the design of the present invention; and,

(56) **References Cited**

U.S. PATENT DOCUMENTS

D497,316 S * 10/2004 Kun et al. D10/69

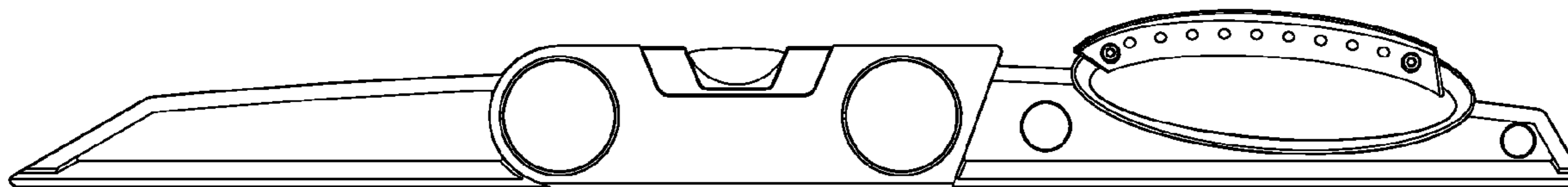
FIG. 5 is a front view of the spirit level device of the design of the present invention.

D503,635 S * 4/2005 Kallabis D10/69

7,472,487 B2 * 1/2009 Tran et al. 33/379

* cited by examiner

1 Claim, 1 Drawing Sheet



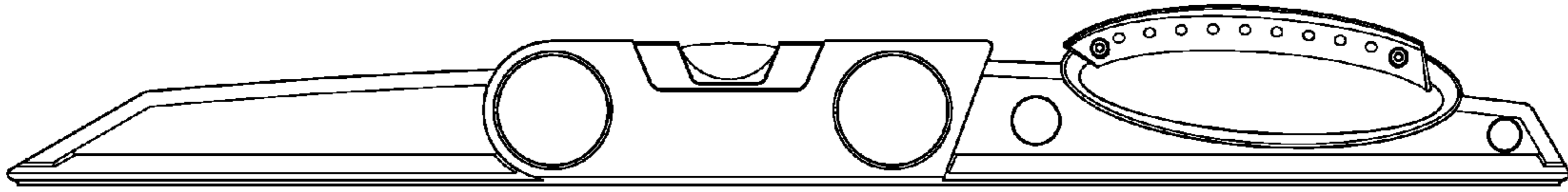


Fig. 1

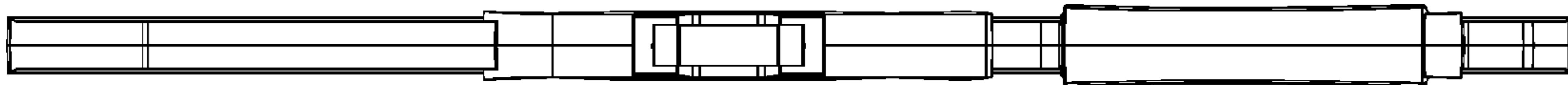


Fig. 2



Fig. 3

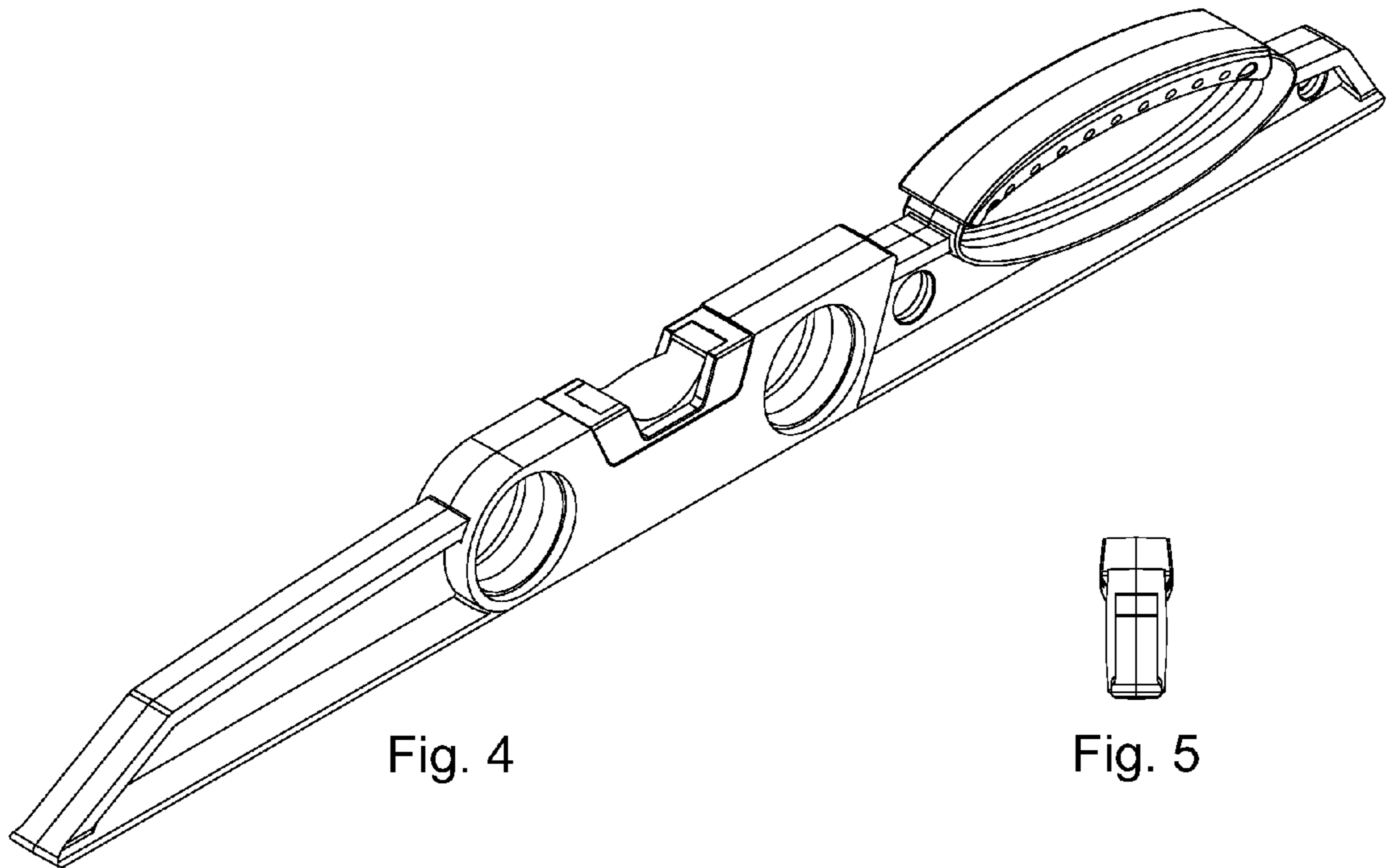


Fig. 4

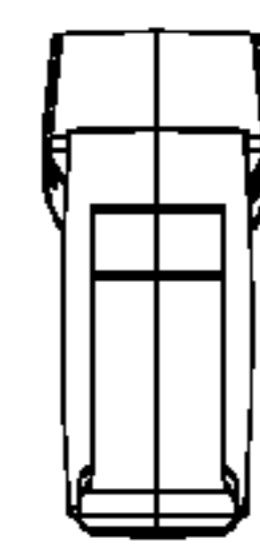


Fig. 5