



US00D597870S

(12) **United States Design Patent**
Guzman

(10) **Patent No.:** **US D597,870 S**

(45) **Date of Patent:** **** Aug. 11, 2009**

(54) **MULTIMEDIA NAVIGATION SCREEN
HOLDER ASSEMBLY**

(57) **CLAIM**

(76) **Inventor:** **David Guzman**, 42 Walnut St.,
Rutherford, NJ (US) 07070

The ornamental design for a multimedia navigation screen holder assembly, as shown and described.

(**) **Term:** **14 Years**

DESCRIPTION

(21) **Appl. No.:** **29/321,796**

(22) **Filed:** **Jul. 23, 2008**

(51) **LOC (9) Cl.** **10-04**

(52) **U.S. Cl.** **D10/65**

(58) **Field of Classification Search** D10/65,
D10/70; D14/144, 149, 137, 138, 147, 148,
D14/247-248, 341-347; 379/433.01-433.13,
379/419, 434, 428.01-428.04, 420.01-420.04,
379/440; 455/575.6, 95, 128, 347, 90
See application file for complete search history.

FIG. 1 is a front side perspective view of the multimedia navigation screen holder assembly in an open position and showing my new design;

FIG. 2 is a top plan a view thereof;

FIG. 3 is a front elevational view thereof;

FIG. 4 is a left side elevational view thereof;

FIG. 5 is a right side elevational view thereof;

FIG. 6 is a back elevational view thereof;

FIG. 7 is a bottom plan view thereof;

FIG. 8 is a front side perspective view thereof recessed in an automobile console; and,

FIG. 9 is a front side perspective view thereof recessed in an automobile console and collapsed therewithin.

The broken lines depicting environmental structure are for illustrative purposes only and form no part of the claimed design.

(56) **References Cited**

U.S. PATENT DOCUMENTS

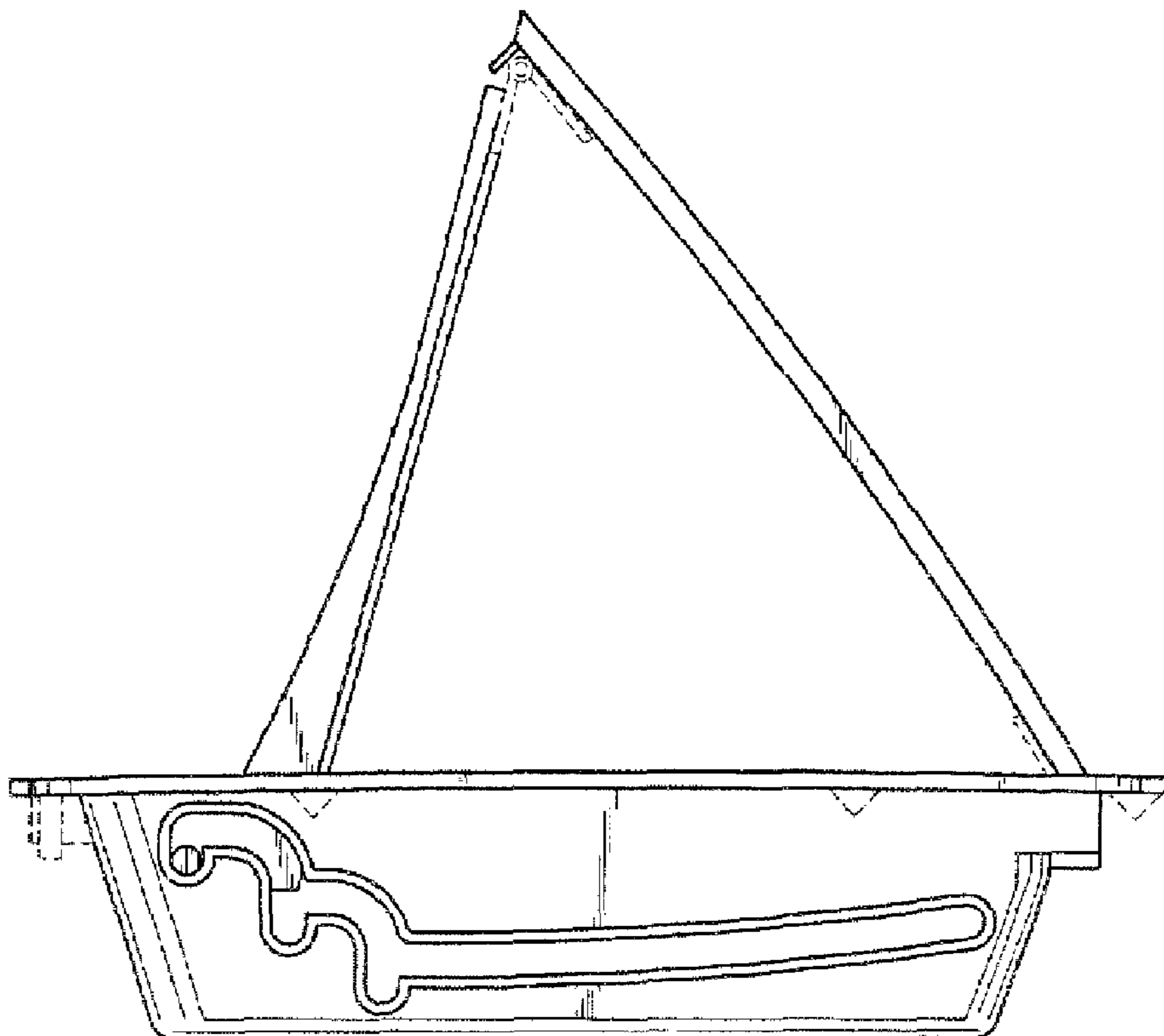
6,448,955 B1 * 9/2002 Evanicky et al. 345/102
7,489,503 B2 * 2/2009 Maatta 345/168

* cited by examiner

Primary Examiner—Antoine D Davis

(74) *Attorney, Agent, or Firm*—The Soni Law Firm

1 Claim, 5 Drawing Sheets



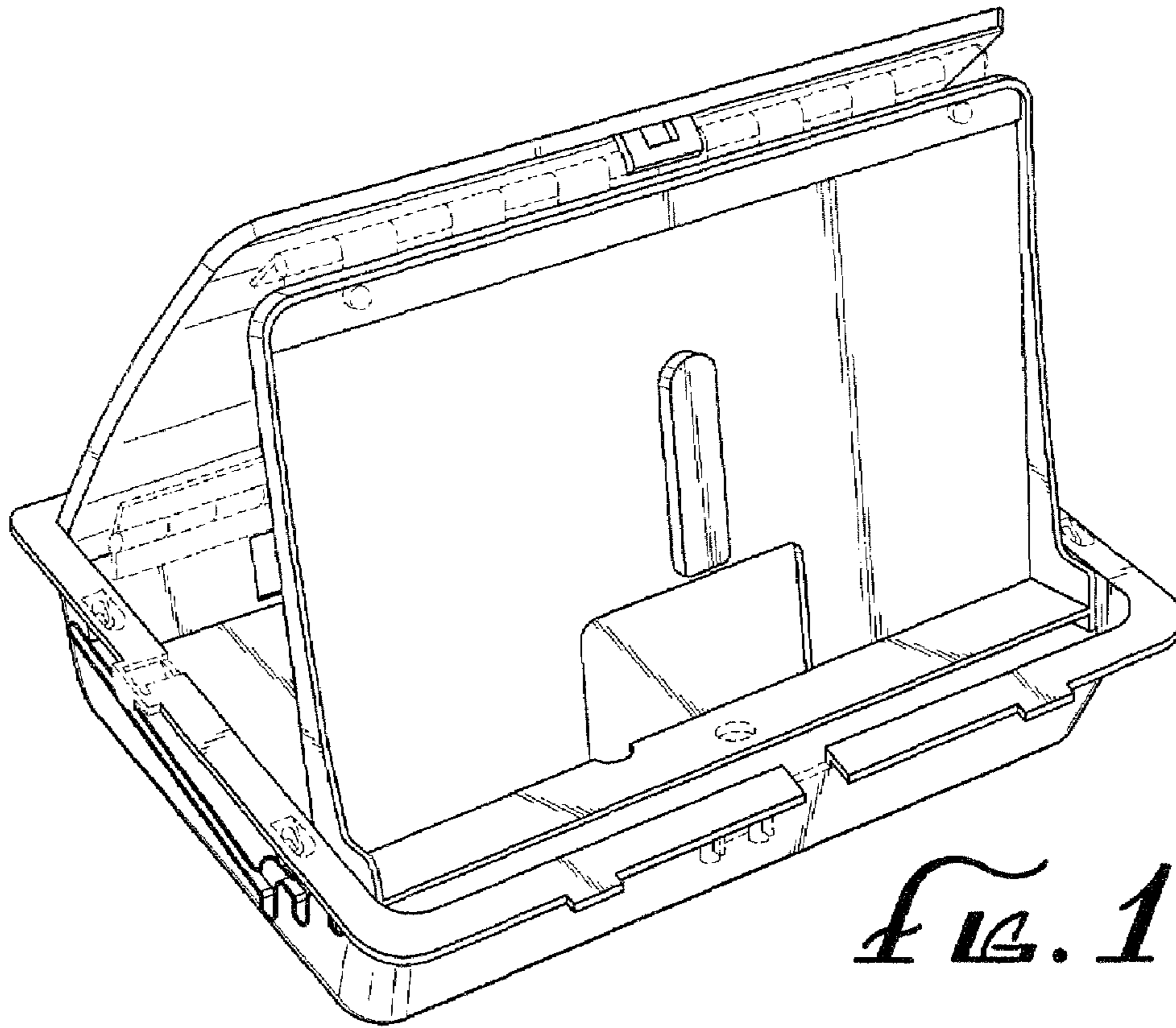


FIG. 1

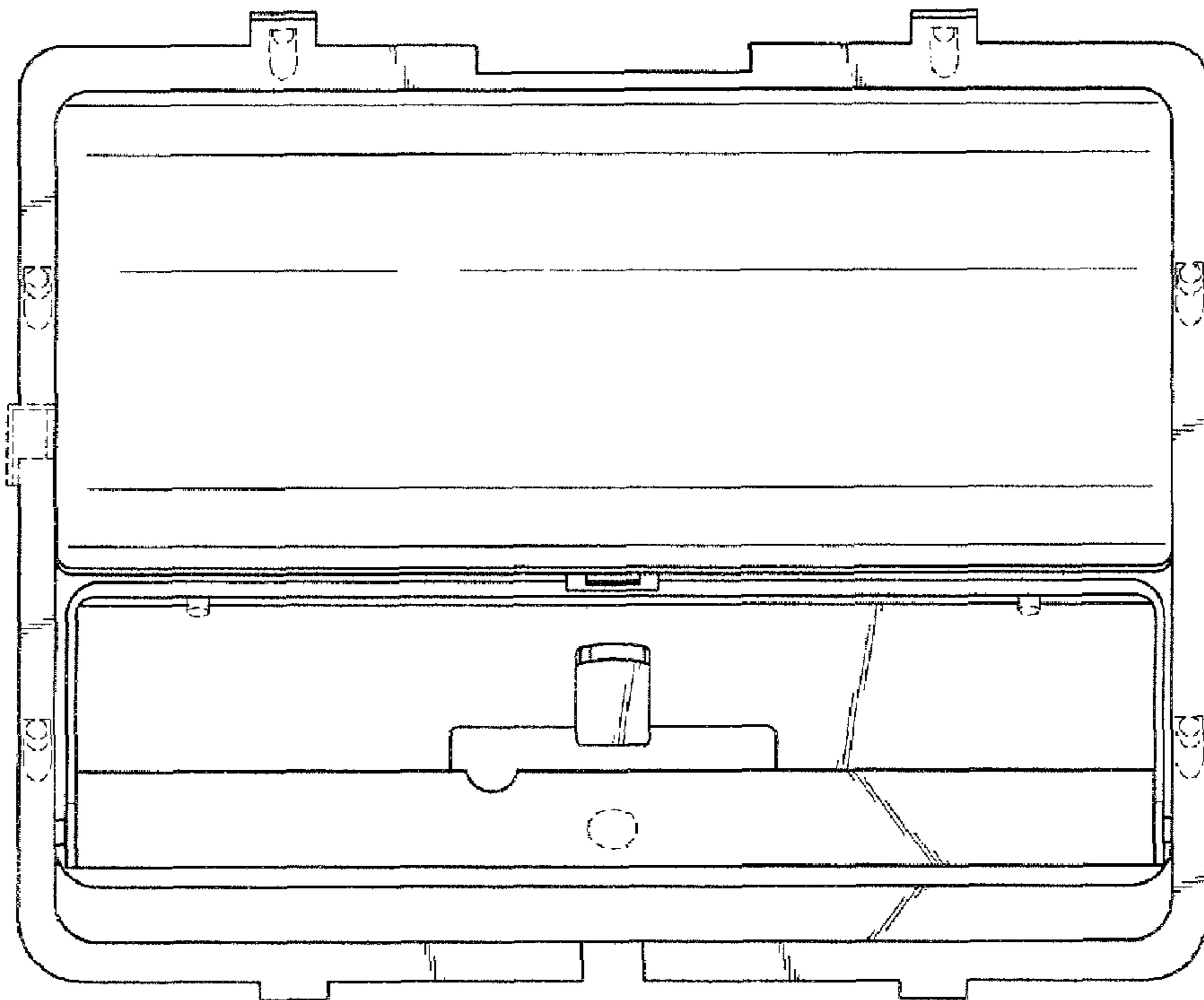


FIG. 2

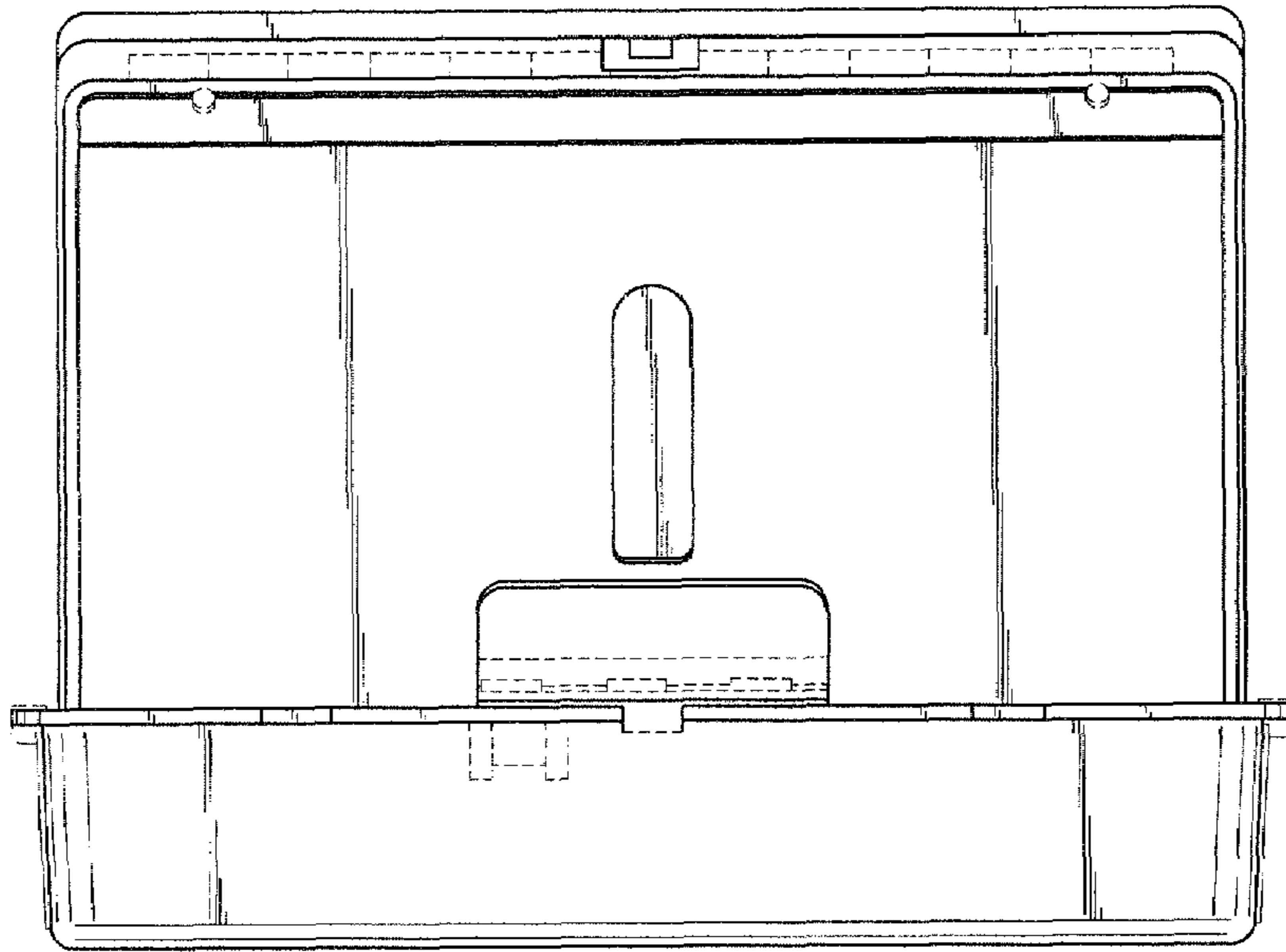


FIG. 3

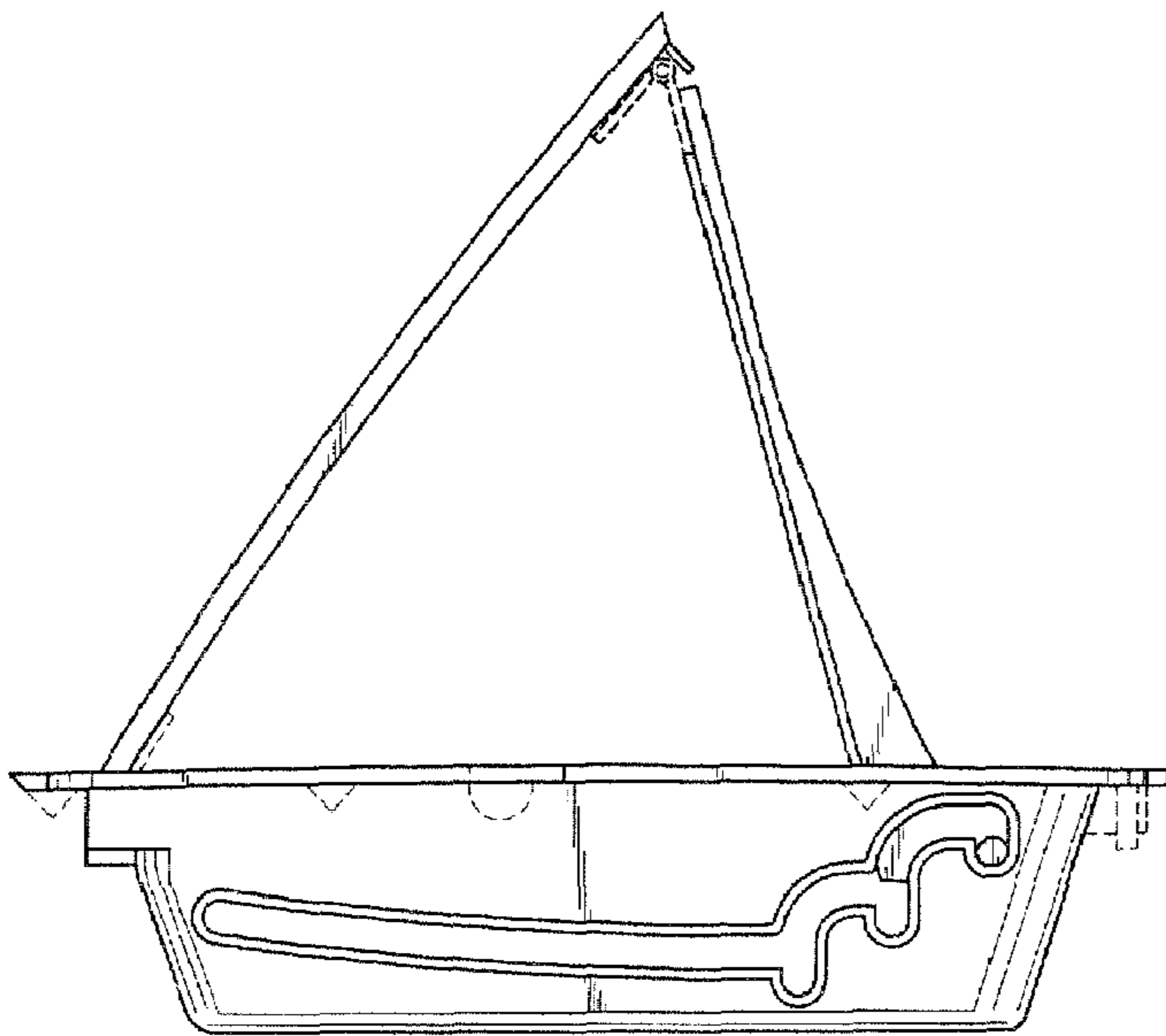


FIG. 4

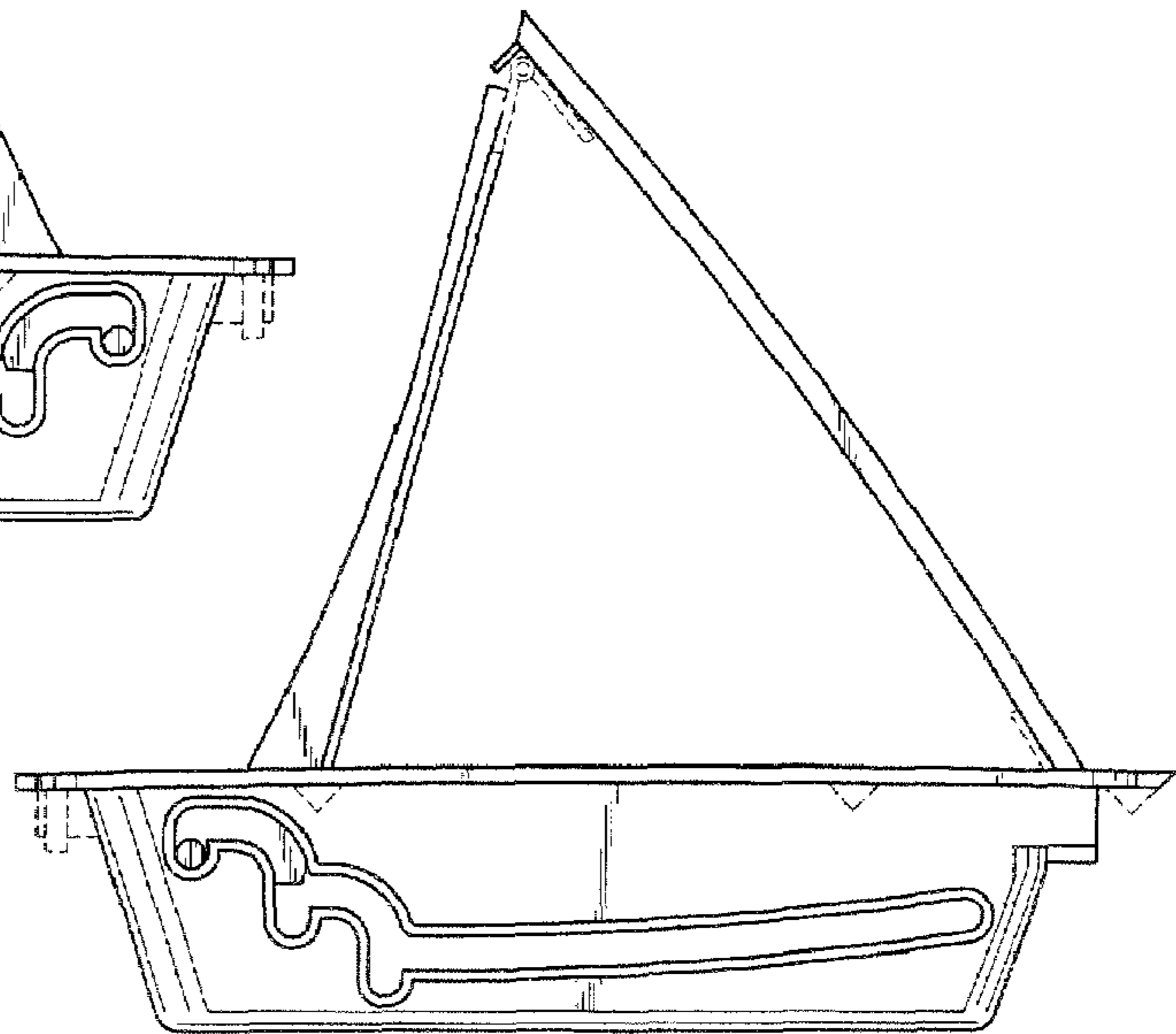


FIG. 5

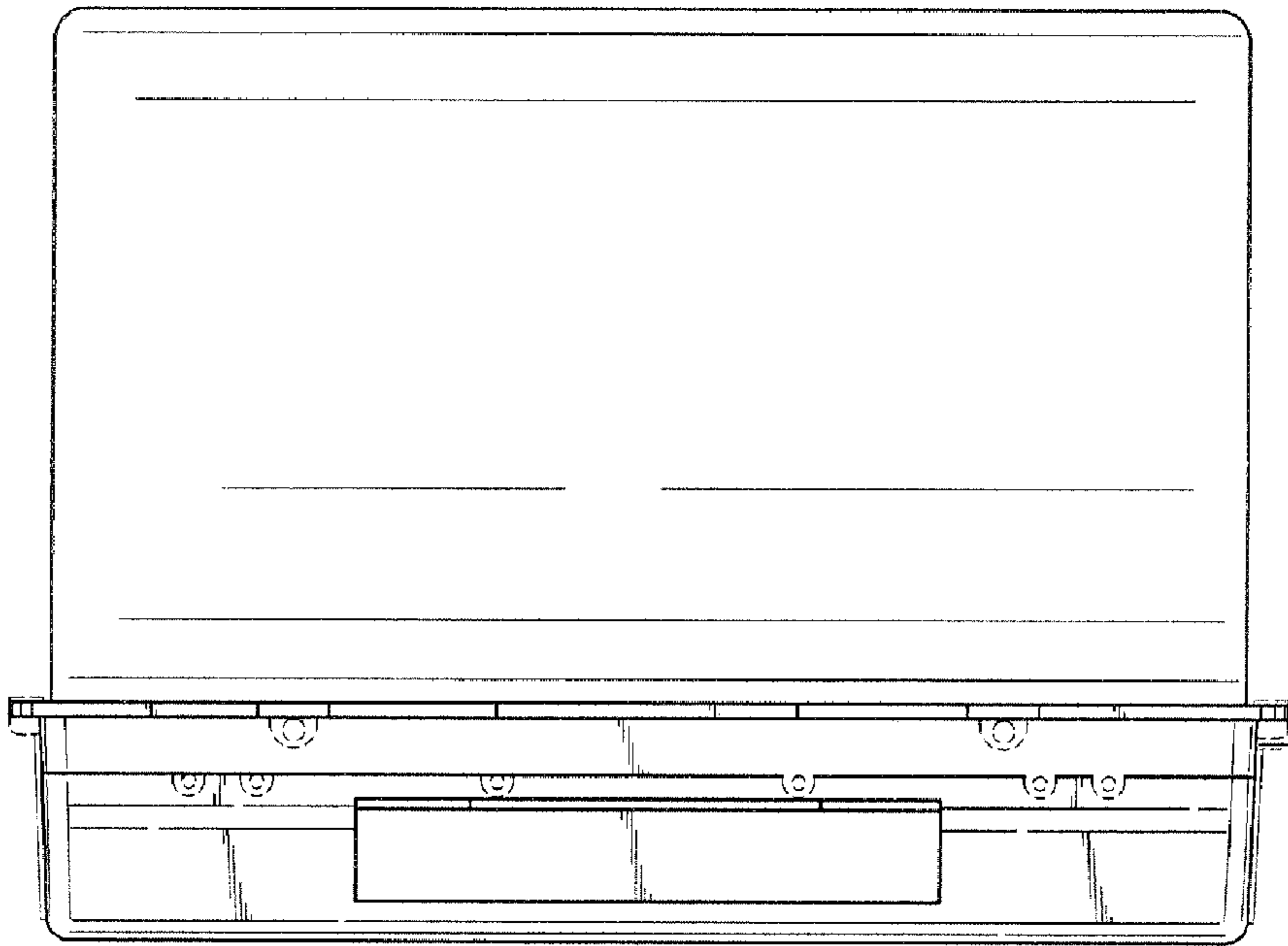


FIG. 6

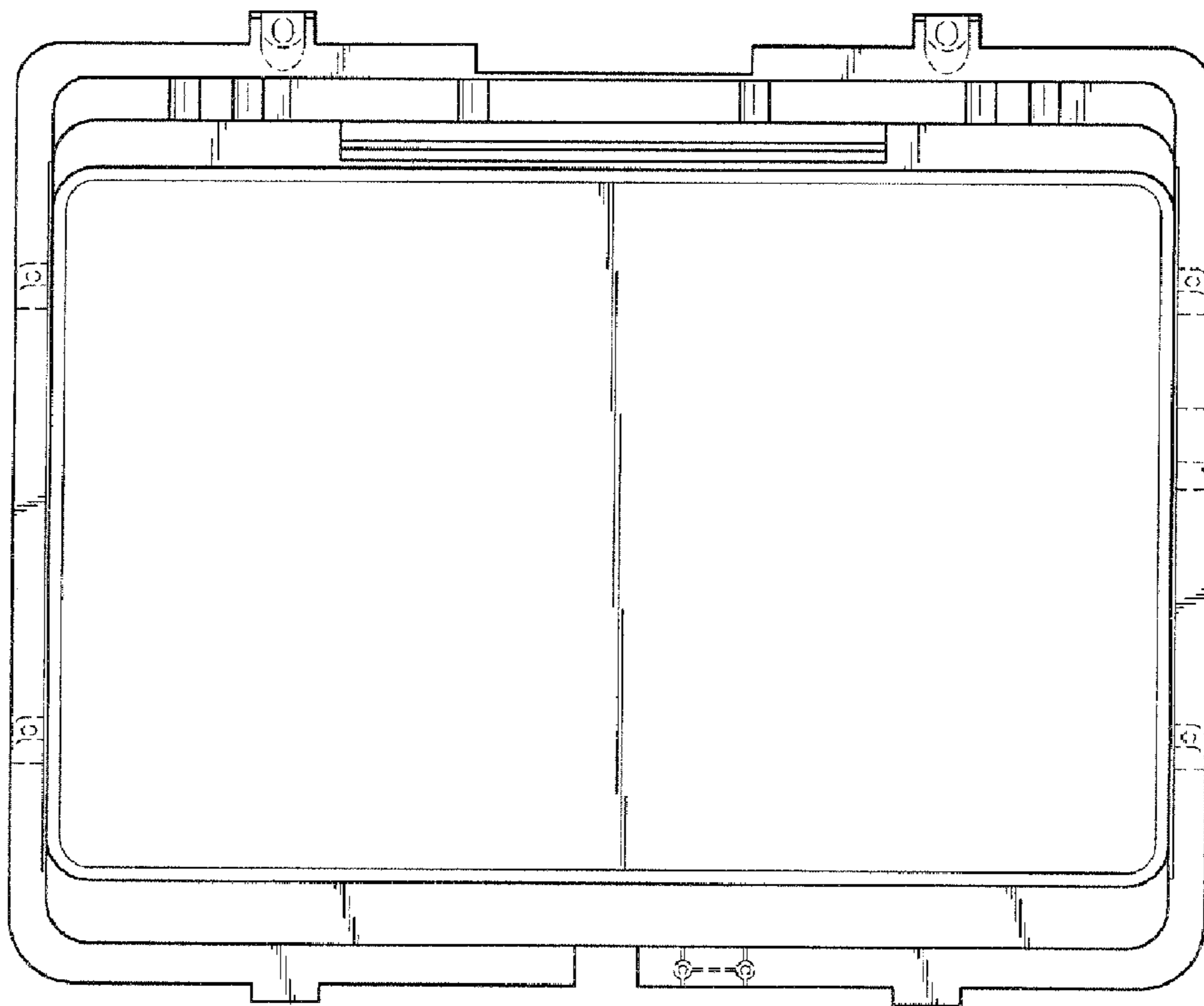
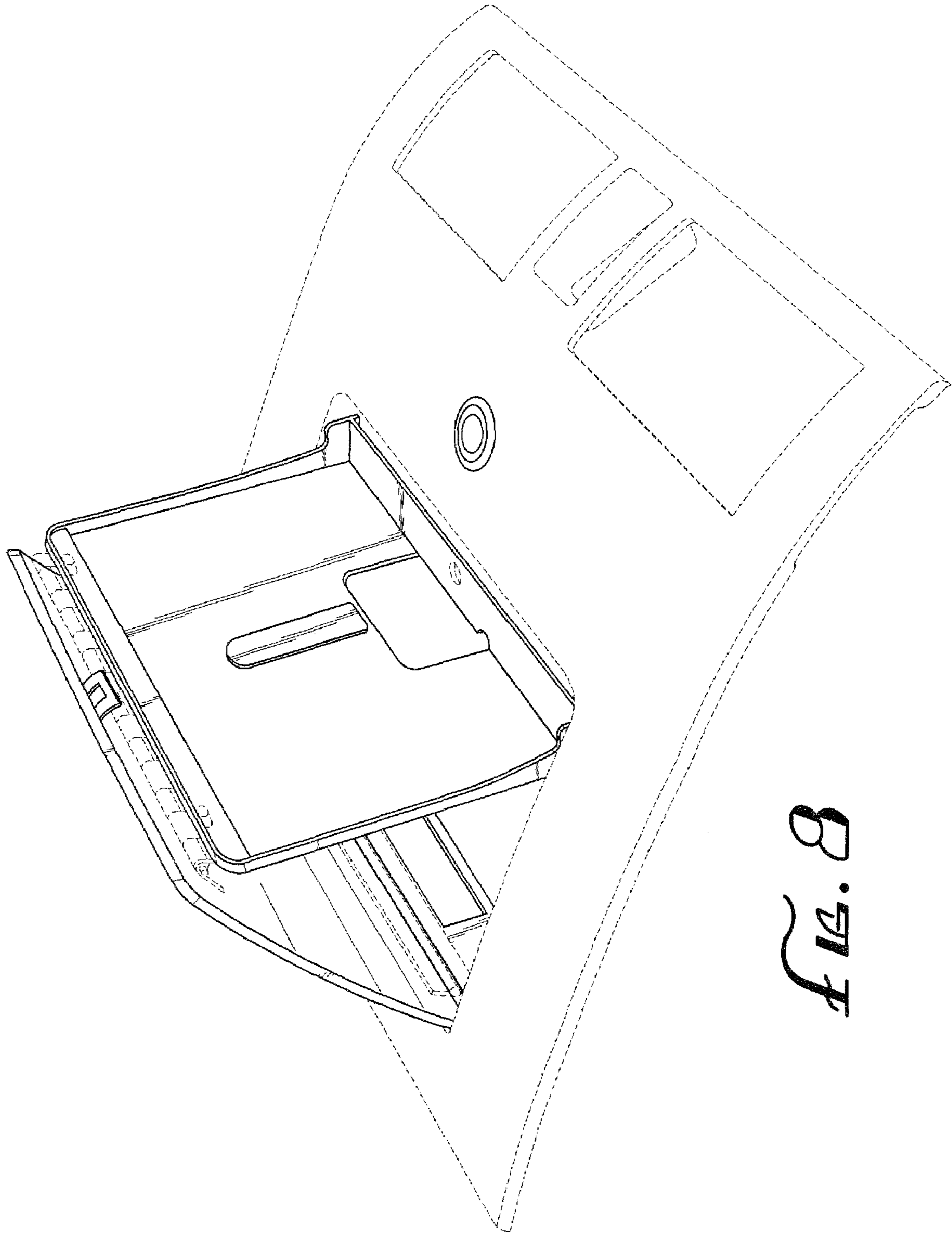


FIG. 7



B. 21 F

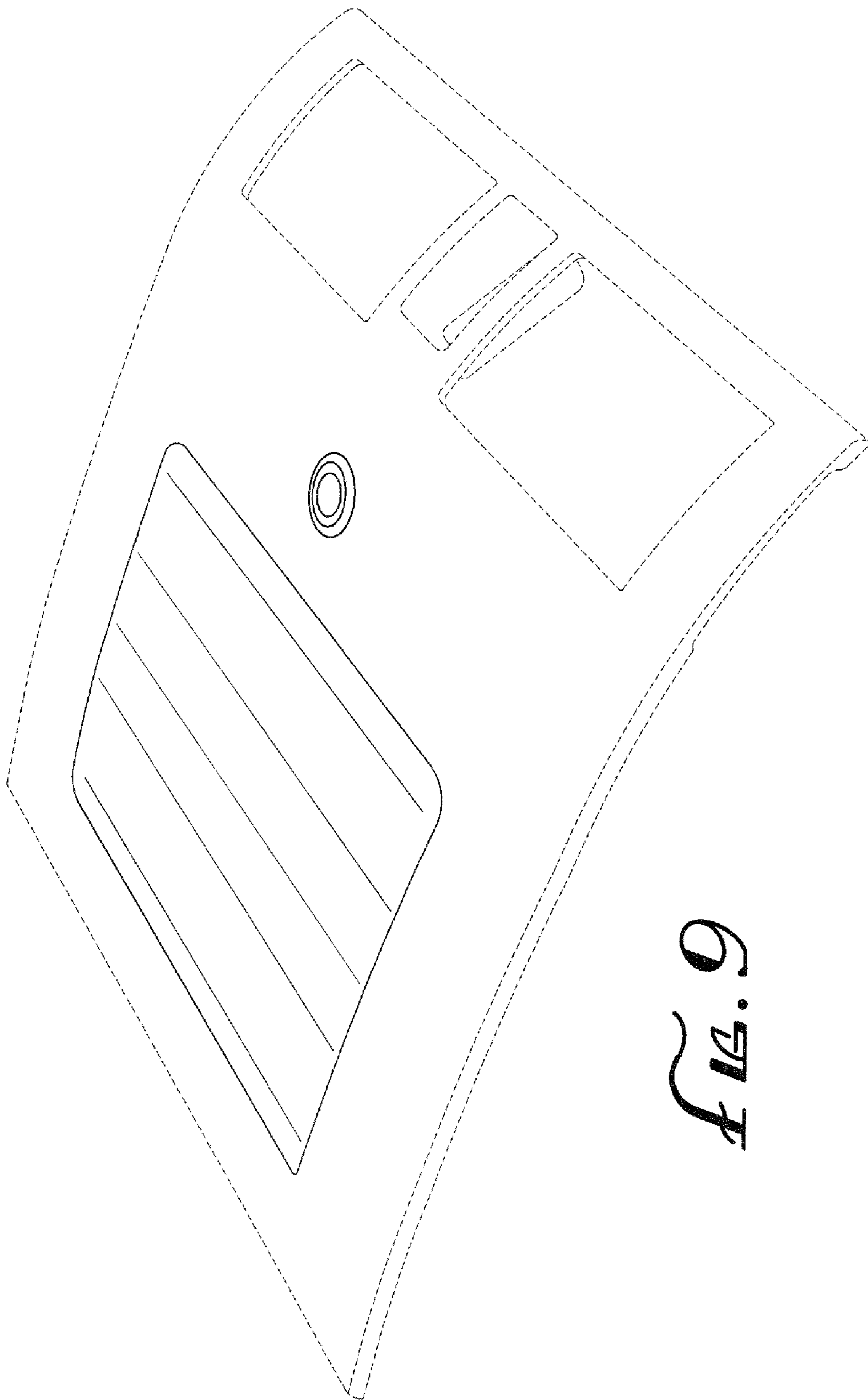


Fig. 9