



US00D597859S

(12) **United States Design Patent**
Arpa

(10) **Patent No.:** **US D597,859 S**

(45) **Date of Patent:** **** Aug. 11, 2009**

(54) **WRISTWATCH**

(75) **Inventor:** **Yvan Arpa**, Collonge-Bellerive (CH)

(73) **Assignee:** **RJ Watches SA**, Geneva (CH)

(**) **Term:** **14 Years**

(21) **Appl. No.:** **29/333,539**

(22) **Filed:** **Mar. 11, 2009**

(30) **Foreign Application Priority Data**

Oct. 10, 2008 (CH) 135548

(51) **LOC (9) Cl.** **10-02**

(52) **U.S. Cl.** **D10/32**

(58) **Field of Classification Search** D10/30-39,
D10/122-132; 368/276, 281, 282, 285, 21,
368/28, 223, 228, 232, 80; D11/3
See application file for complete search history.

(56) **References Cited**

U.S. PATENT DOCUMENTS

3,503,203	A *	3/1970	Gruner et al.	368/21
D447,705	S *	9/2001	Scheufele	D10/39
D456,726	S *	5/2002	Finazzi	D10/39
D472,822	S *	4/2003	Locci	D10/32
6,570,823	B1 *	5/2003	Gilomen et al.	368/113
D502,413	S *	3/2005	Sugiura et al.	D10/39
D517,432	S *	3/2006	Laucella	D10/39
D517,929	S *	3/2006	Rabassa	D10/39
D524,171	S *	7/2006	Monachon	D10/32
D530,627	S *	10/2006	Senggen et al.	D10/32

D536,994	S *	2/2007	Sugisawa et al.	D10/31
D538,681	S *	3/2007	Quintavalle	D10/38
D547,209	S *	7/2007	Gruosi-Scheufele	D10/39
D547,211	S *	7/2007	Dias	D10/39
D568,769	S *	5/2008	Emch Ducommun	D10/32
D574,734	S *	8/2008	Loth	D10/38
D583,259	S *	12/2008	Arpa	D10/39
D585,307	S *	1/2009	Modolo	D10/32
D586,238	S *	2/2009	Loth	D10/32
D586,669	S *	2/2009	Loth	D10/39

* cited by examiner

Primary Examiner—Lucy Lieberman

(74) *Attorney, Agent, or Firm*—Sughrue Mion, PLLC

(57) **CLAIM**

The ornamental design for a wristwatch, as shown and described.

DESCRIPTION

FIG. 1 is a perspective view of the front and right side of a wristwatch showing my new design;

FIG. 2 is a front elevational view thereof;

FIG. 3 is a rear elevational view thereof;

FIG. 4 is a left side elevational view thereof;

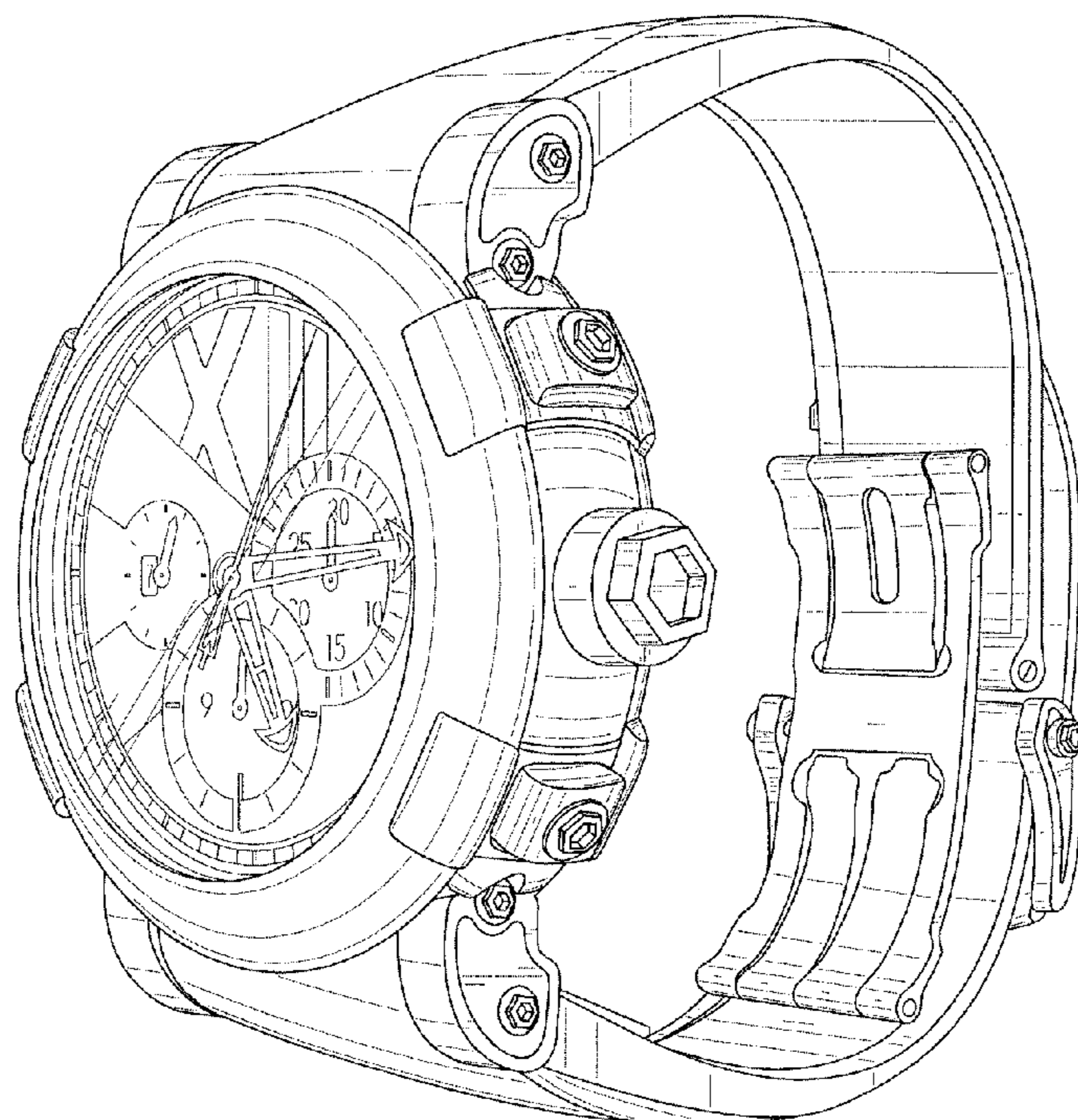
FIG. 5 is a right side elevational view thereof;

FIG. 6 is a top plan view thereof;

FIG. 7 is a bottom plan view thereof; and,

FIG. 8 is a perspective view of the rear and right side thereof.

1 Claim, 8 Drawing Sheets



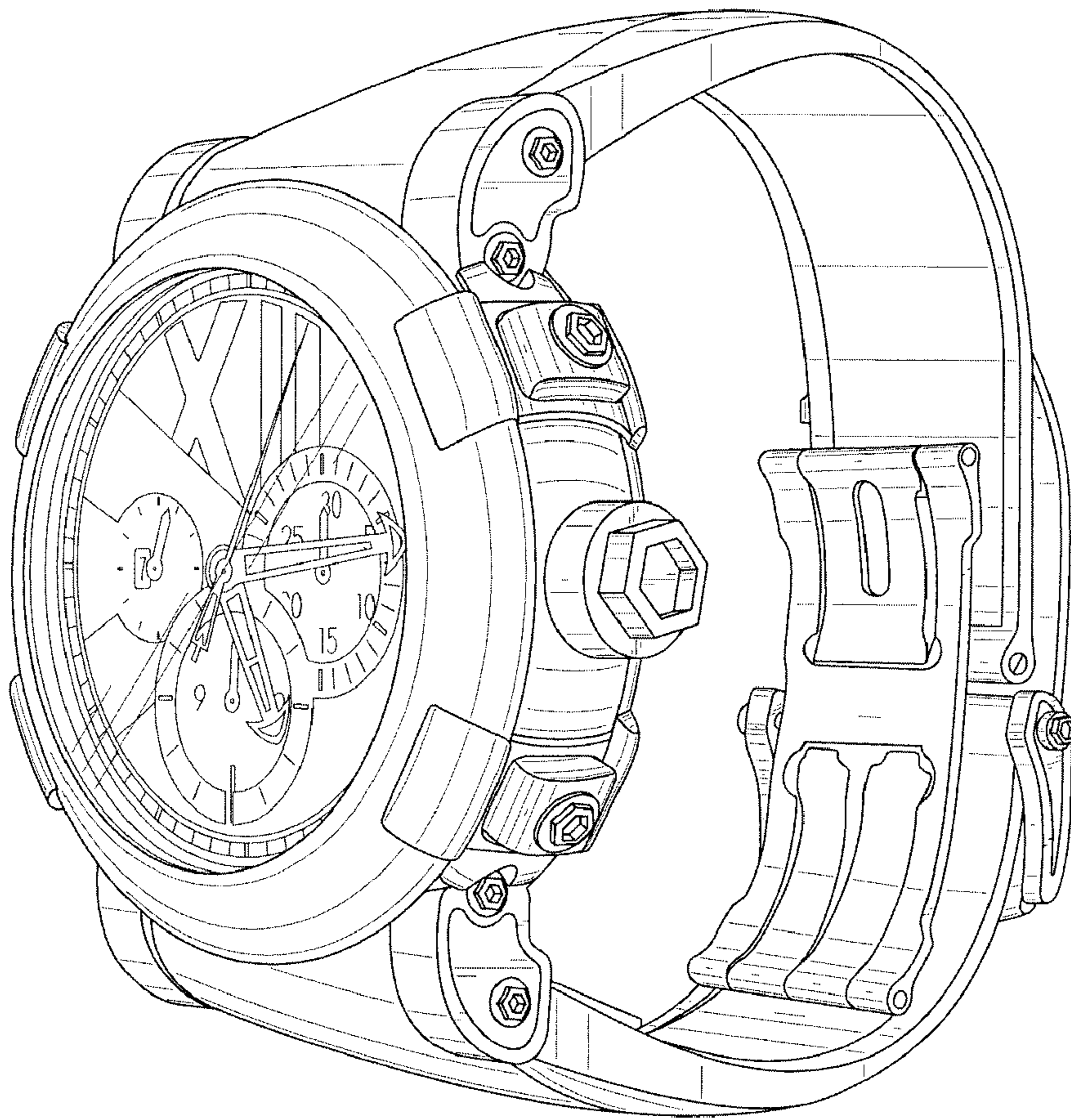


FIG. 1

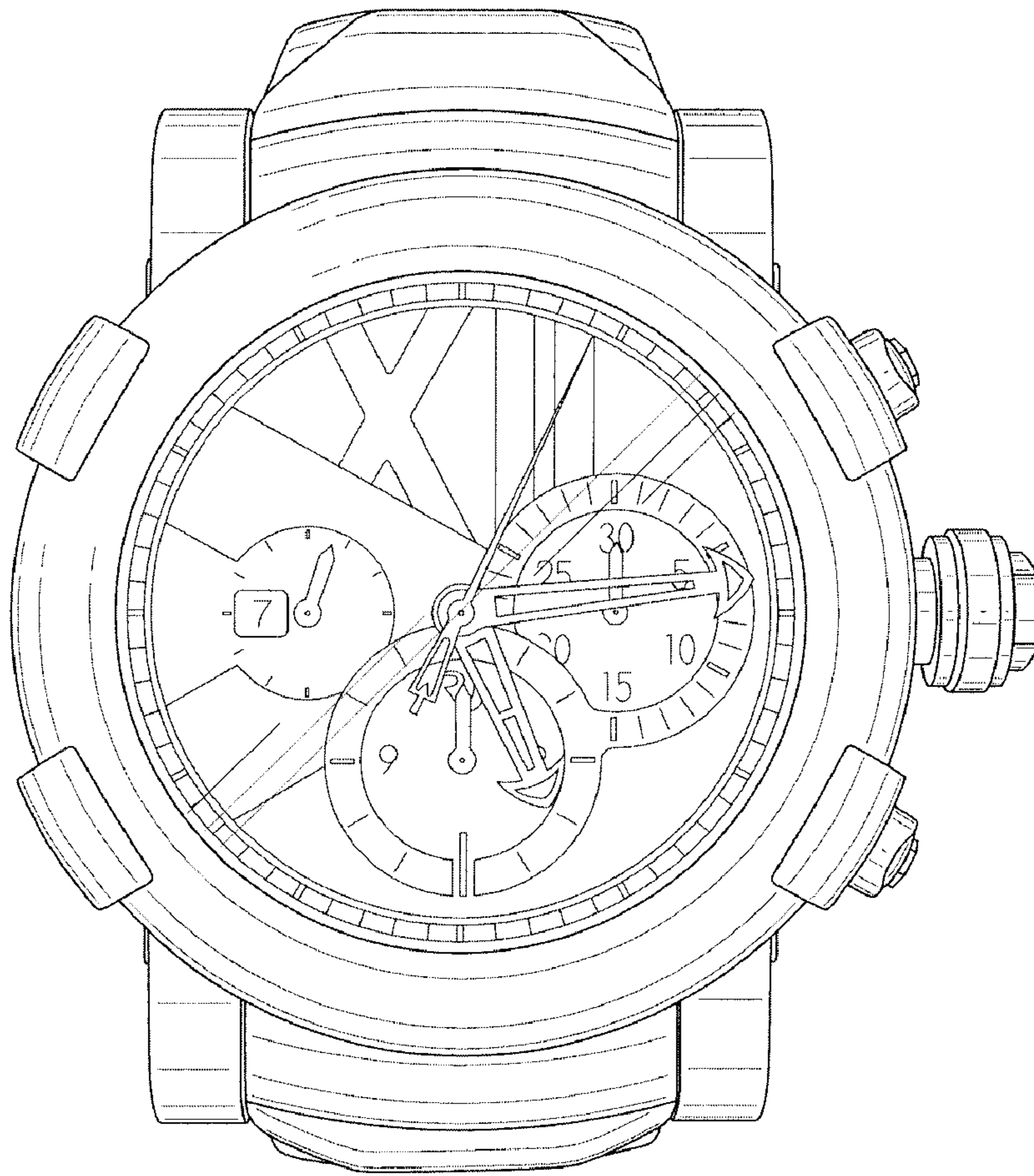


FIG. 2

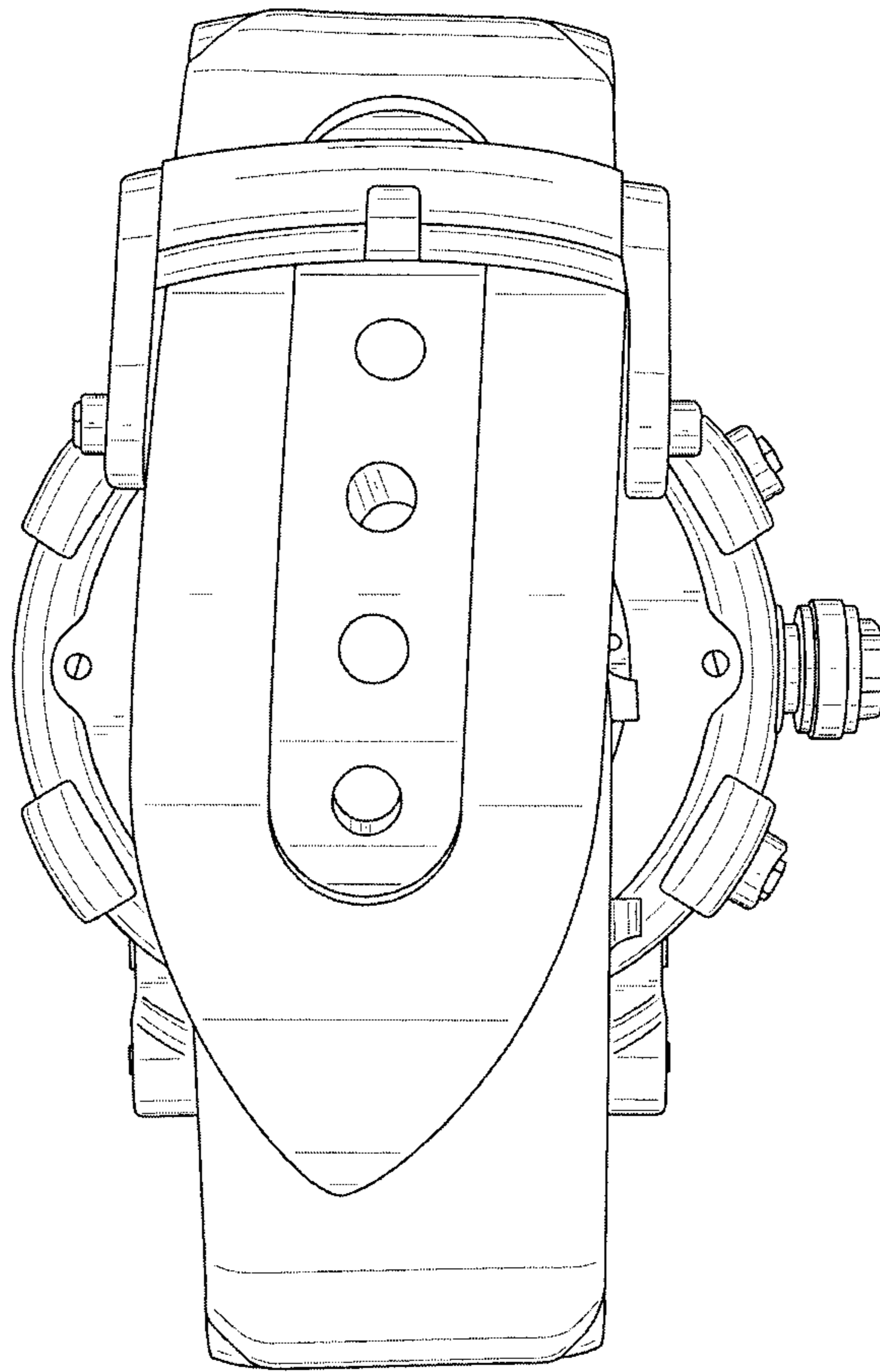


FIG. 3

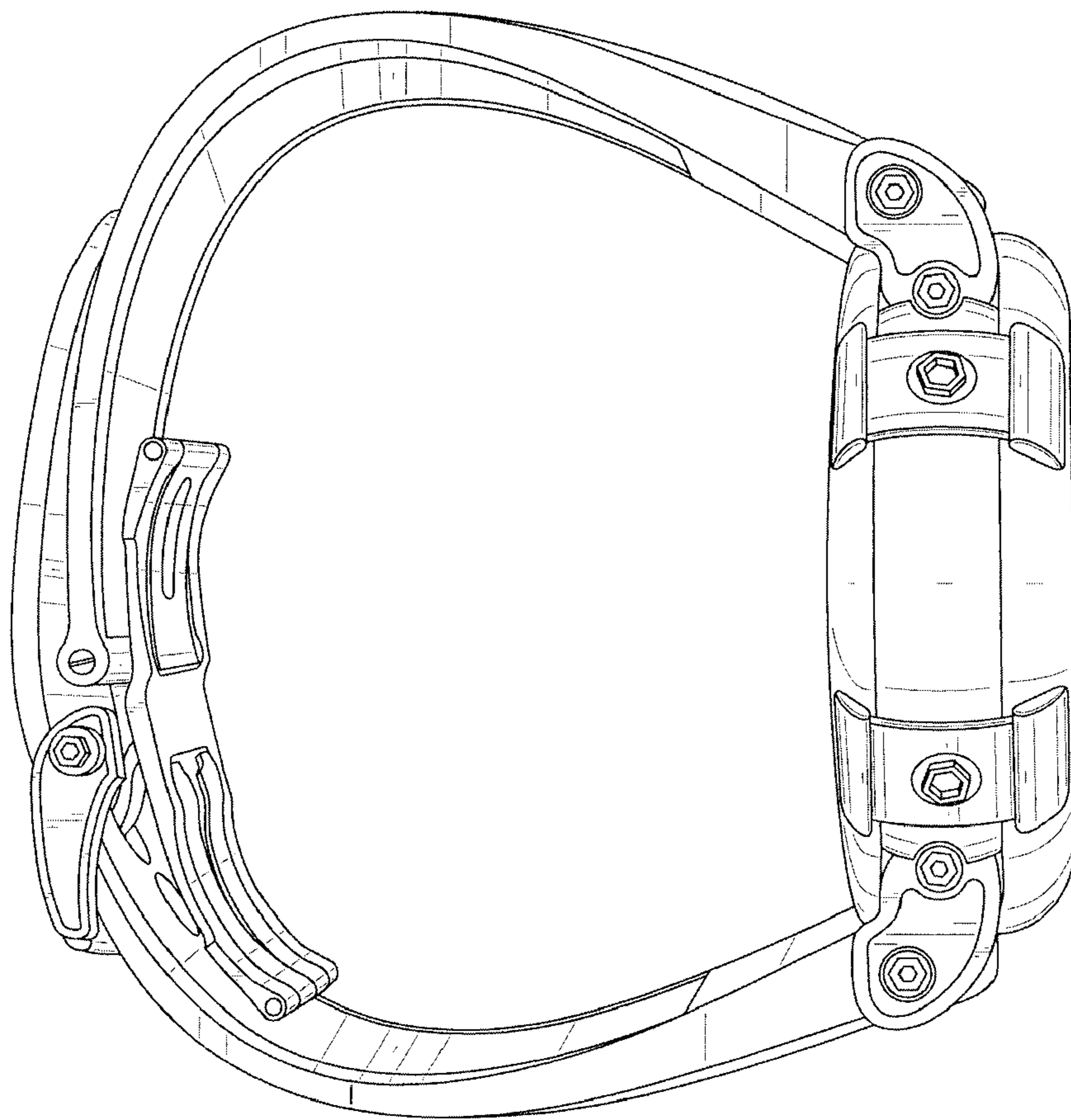


FIG. 4

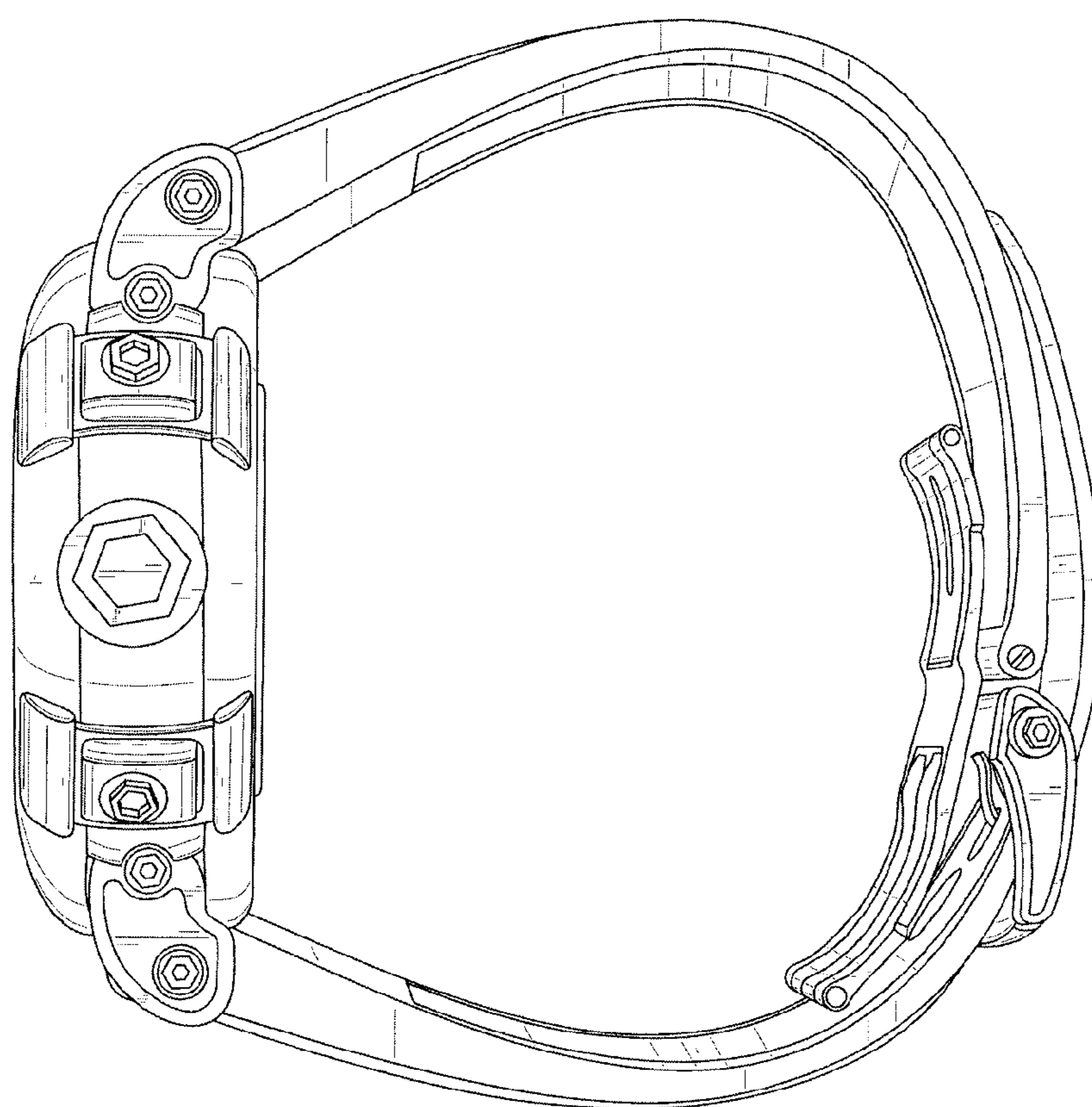


FIG. 5

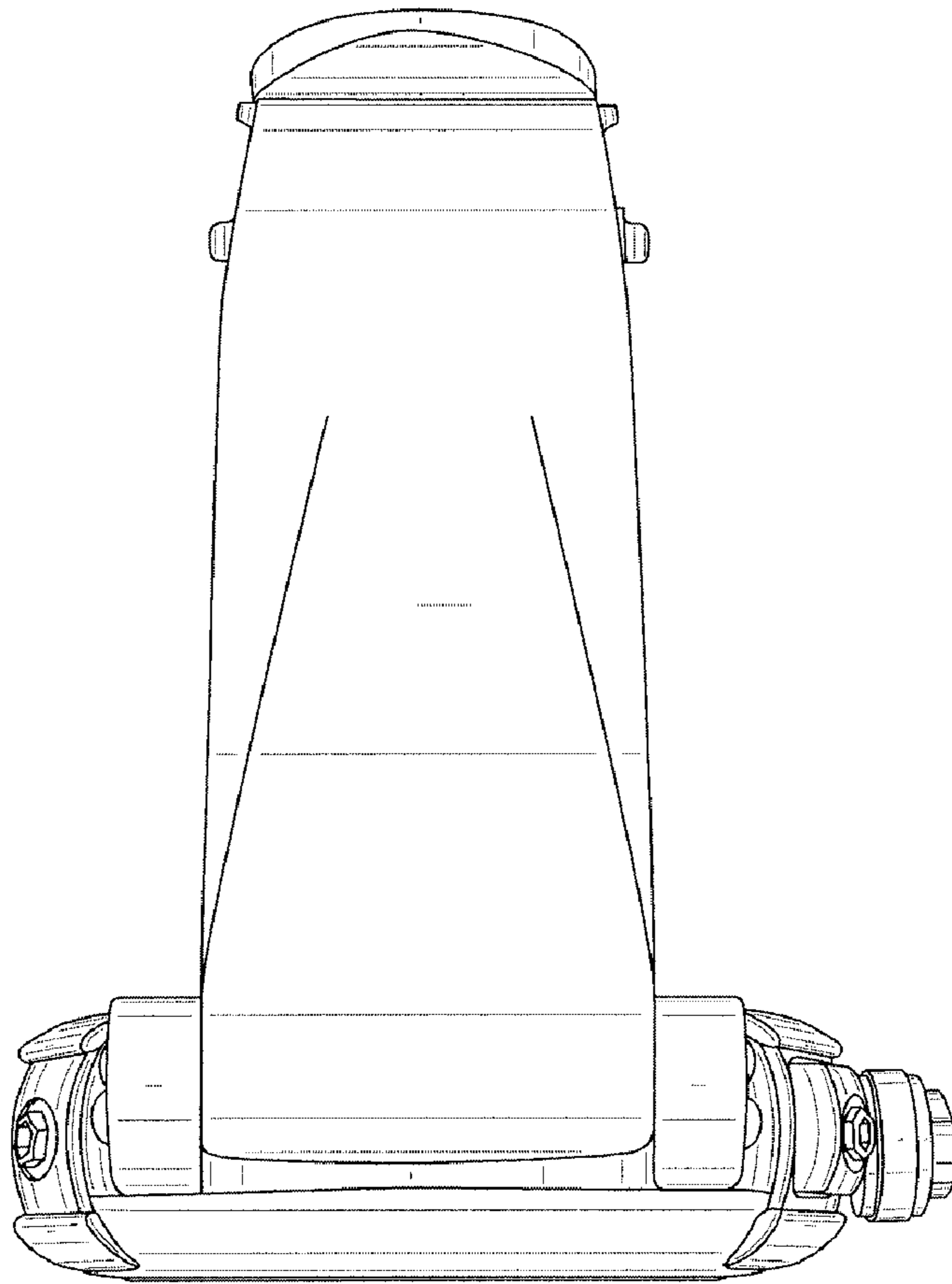


FIG. 6

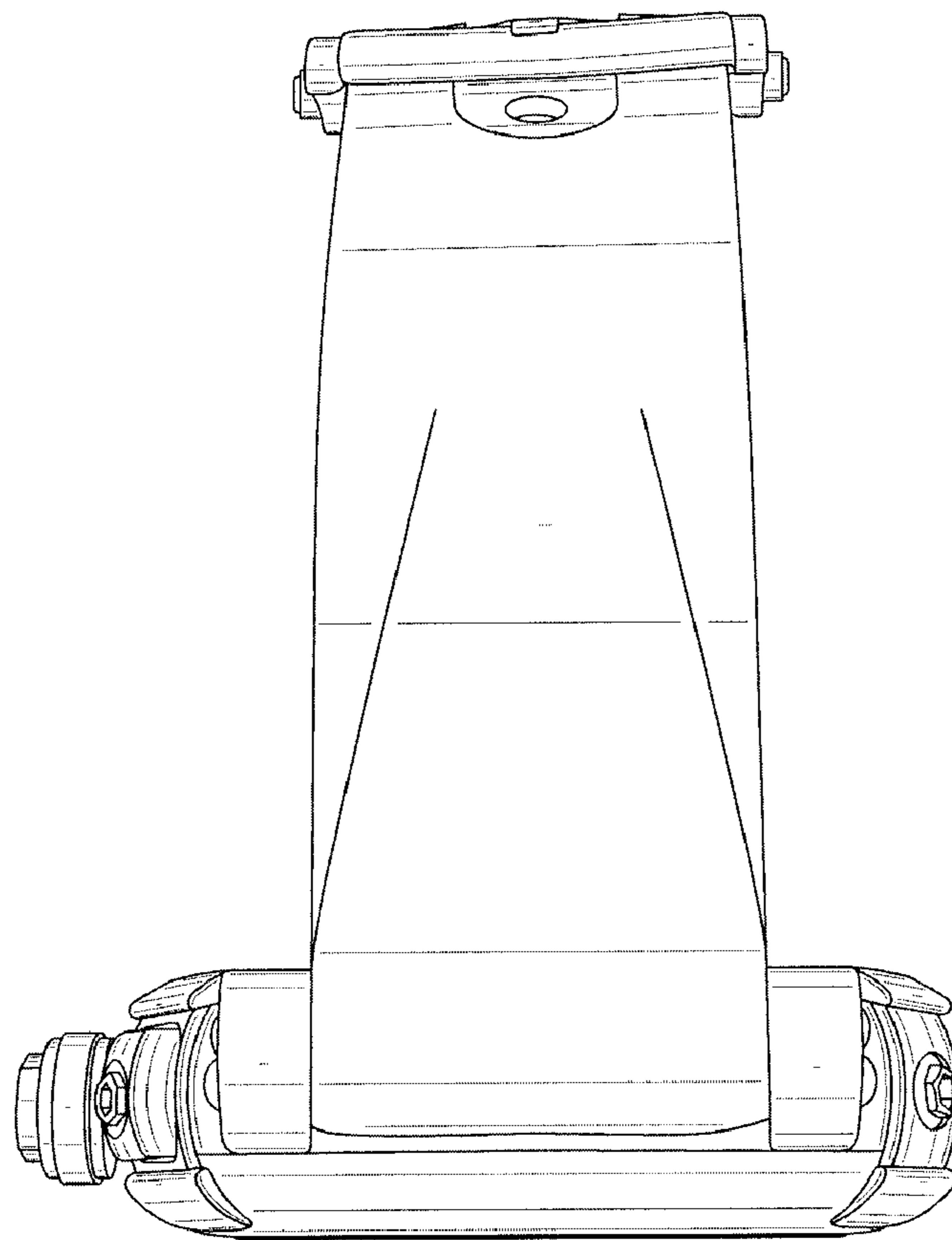


FIG. 7

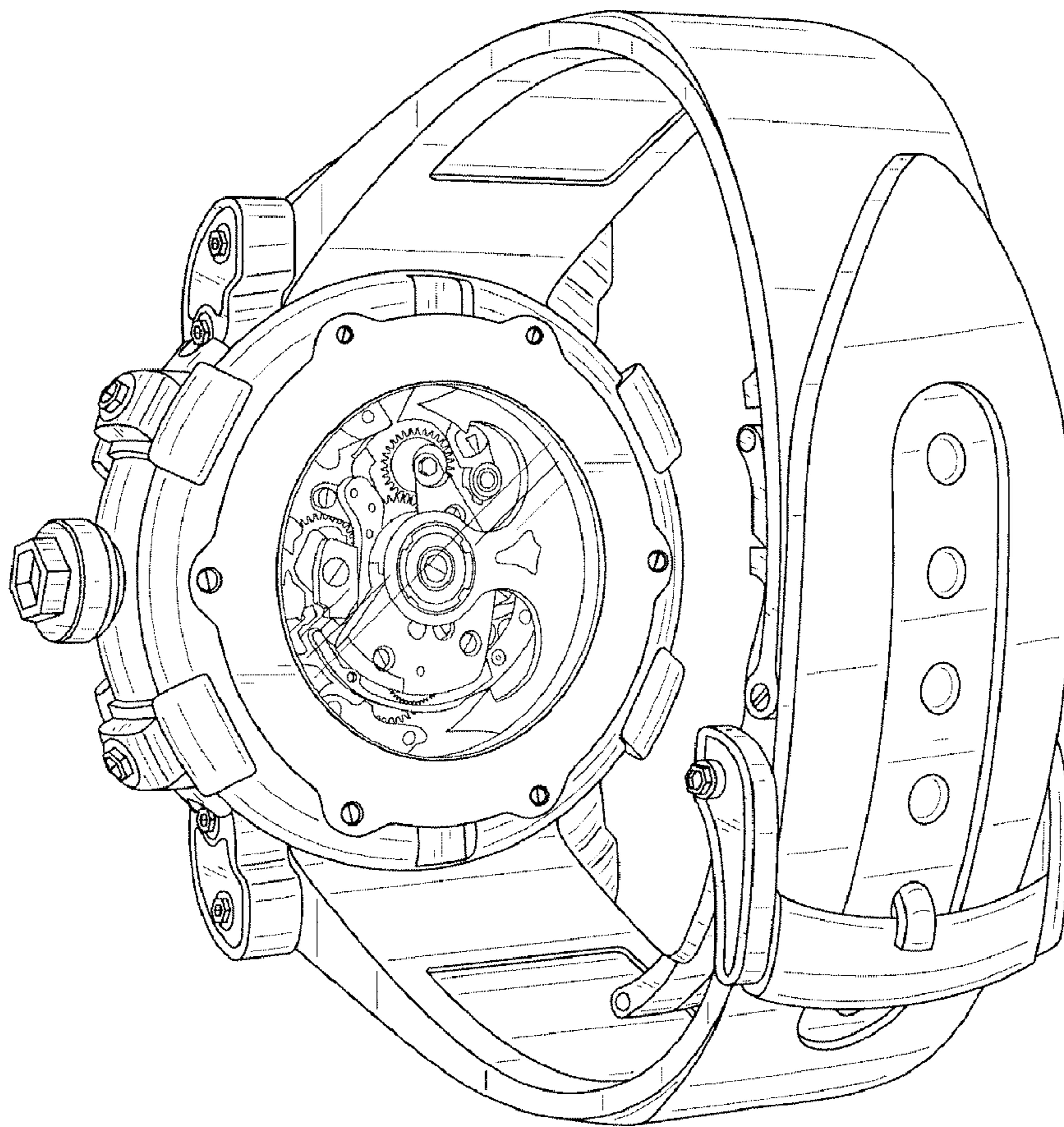


FIG. 8