



US00D597850S

(12) **United States Design Patent**
Quick et al.

(10) **Patent No.:** **US D597,850 S**
(45) **Date of Patent:** **** Aug. 11, 2009**

(54) **SHOPPING BAG WITH INSTRUCTIONAL GRAPHIC**

(75) Inventors: **Eric Quick**, San Ramon, CA (US);
Yvonne Steiner, Citrus Heights, CA (US); **Jeffrey Shamburger**, Dublin, CA (US)

(73) Assignee: **Safeway Inc.**, Pleasanton, CA (US)

(**) Term: **14 Years**

(21) Appl. No.: **29/295,307**

(22) Filed: **Sep. 26, 2007**

(51) **LOC (9) Cl.** **09-05**

(52) **U.S. Cl.** **D9/600; D20/11; D20/23; D14/792; D3/303**

(58) **Field of Classification Search** D9/300, D9/434, 702-714; D3/201, 303, 318; D5/63; D14/485, 488, 489, 492; D20/10, 11, 22, D20/23, 27, 28, 37, 40, 42, 99; 40/6, 124.01, 40/124.02, 124.04, 124.06, 124.08, 299.01, 40/312, 538, 541, 542, 549, 552, 582, 594, 40/595, 606, 617, 672; 206/459.5; 283/56, 283/71, 81; 428/34.1-34.3, 40.1, 42.1-42.3, 428/914

See application file for complete search history.

(56) **References Cited**

U.S. PATENT DOCUMENTS

D248,059 S * 5/1978 Darrell D20/11

(Continued)

Primary Examiner—Caron Veynar
Assistant Examiner—Mary Ann Calabrese
(74) *Attorney, Agent, or Firm*—Conley Rose, P.C.; Rodney B. Carroll

(57) **CLAIM**

The ornamental design for a shopping bag with instructional graphic, as shown and described.

DESCRIPTION

FIG. 1 is a perspective view of the front, side and top of a shopping bag with instructional graphic in accordance with our design;

FIG. 2 is an enlarged fragmentary front elevational view of the instructional graphic design;

FIG. 3 is a front elevational view of the shopping bag with the instructional graphic to the lower left corner thereof;

FIG. 4 is a front elevational view of the shopping bag with the instructional graphic to the lower right corner thereof;

FIG. 5 is a front elevational view of the shopping bag with the instructional graphic to the upper right corner thereof;

FIG. 6 is a front elevational view of the shopping bag with the instructional graphic to the upper left corner thereof;

FIG. 7 is a rear elevational view of a representative shopping bag to which the instructional graphic design is applied to a front surface thereof;

FIG. 8 is a left side elevational view of a representative shopping bag to which the instructional graphic design is applied to a front surface thereof;

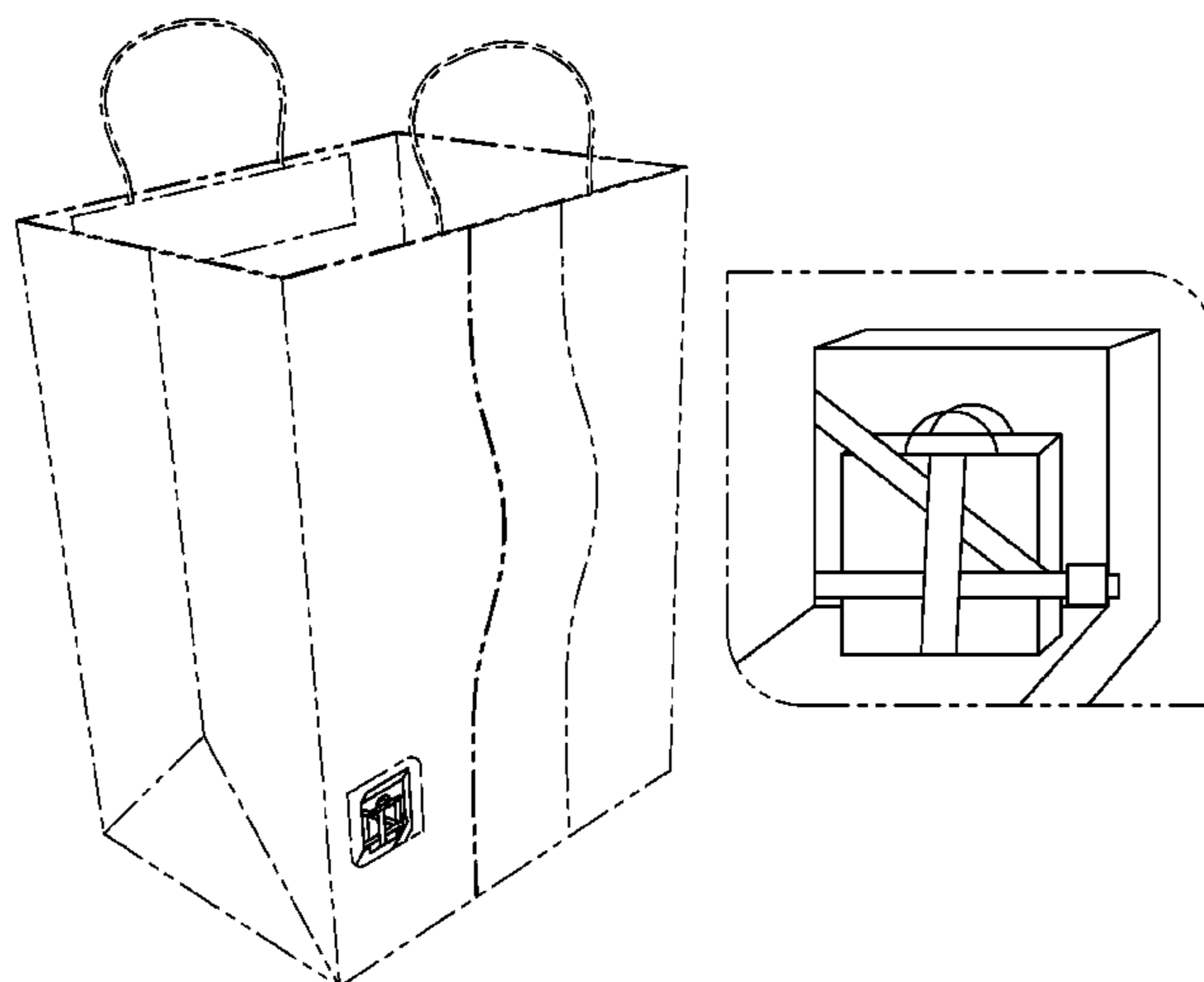
FIG. 9 is a right side elevational view of a representative shopping bag to which the instructional graphic design is applied to a front surface thereof;

FIG. 10 is a bottom plan view of a shopping bag to which the instructional graphic design is applied to a front surface thereof; and,

FIG. 11 is a top plan view of a shopping bag to which the instructional graphic design is applied to a front surface thereof.

The broken line surrounding the instructional graphic represents the boundaries of the design and forms no part thereof. The broken lines showing the remainder of the shopping bag represents environmental subject matter only and forms no part of the claimed design.

1 Claim, 5 Drawing Sheets



US D597,850 S

Page 2

U.S. PATENT DOCUMENTS

D248,060 S *	5/1978	Darrell	D20/11	D471,205 S *	3/2003	Lane	D14/489
D273,877 S *	5/1984	Darrell	D20/11	D486,186 S *	2/2004	da Silva	D20/10
D375,676 S *	11/1996	Davis et al.	D9/707	D566,777 S *	4/2008	Delmotte et al.	D20/27
D459,399 S *	6/2002	Phillips	D20/11	D583,666 S *	12/2008	Coin	D9/434
D465,528 S *	11/2002	Pfannenber	D20/11	2003/0152722 A1 *	8/2003	Fearn et al.	428/34.1
					2009/0050505 A1 *	2/2009	Rubin	206/459.5

* cited by examiner

FIG. 1

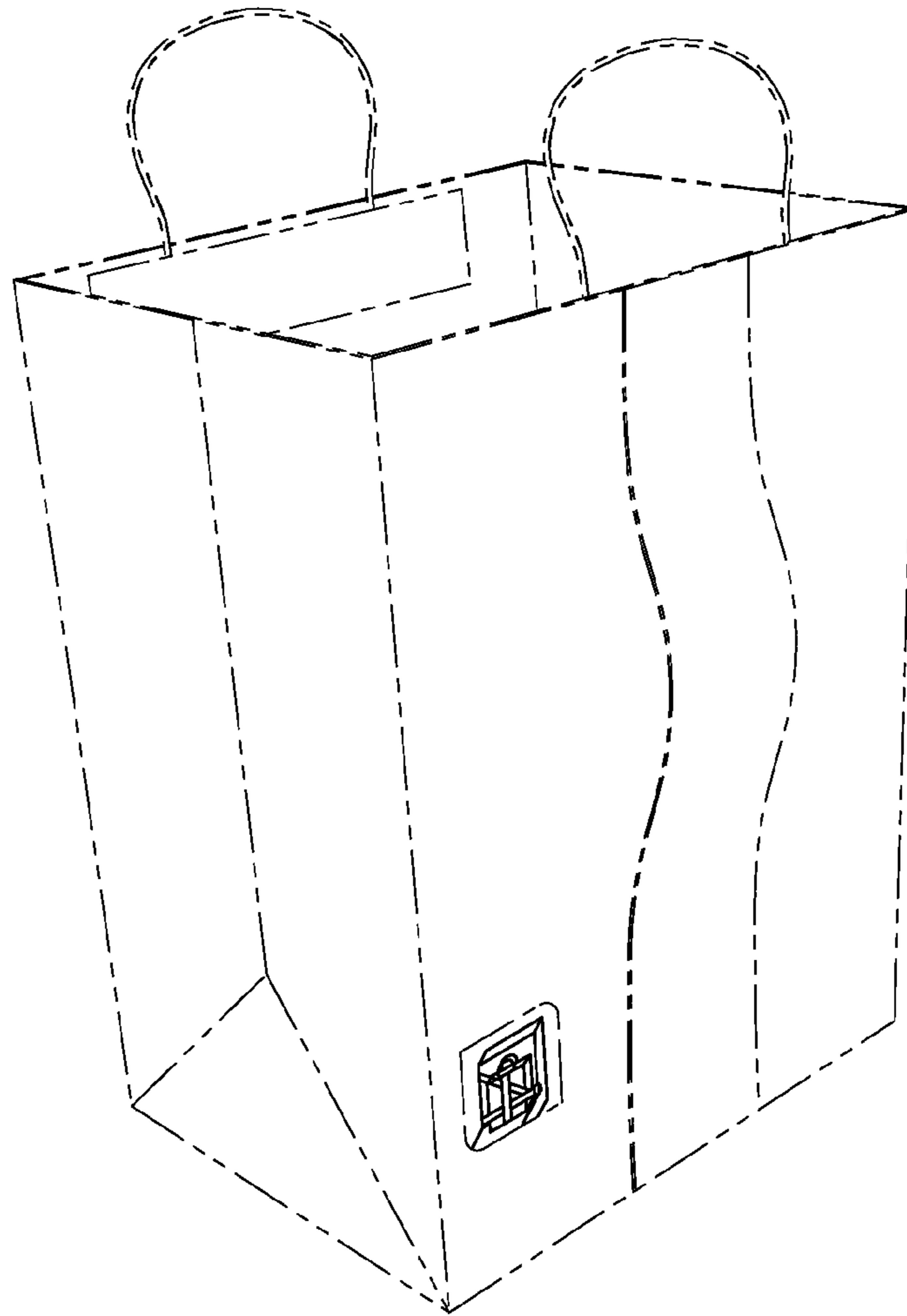


FIG. 2

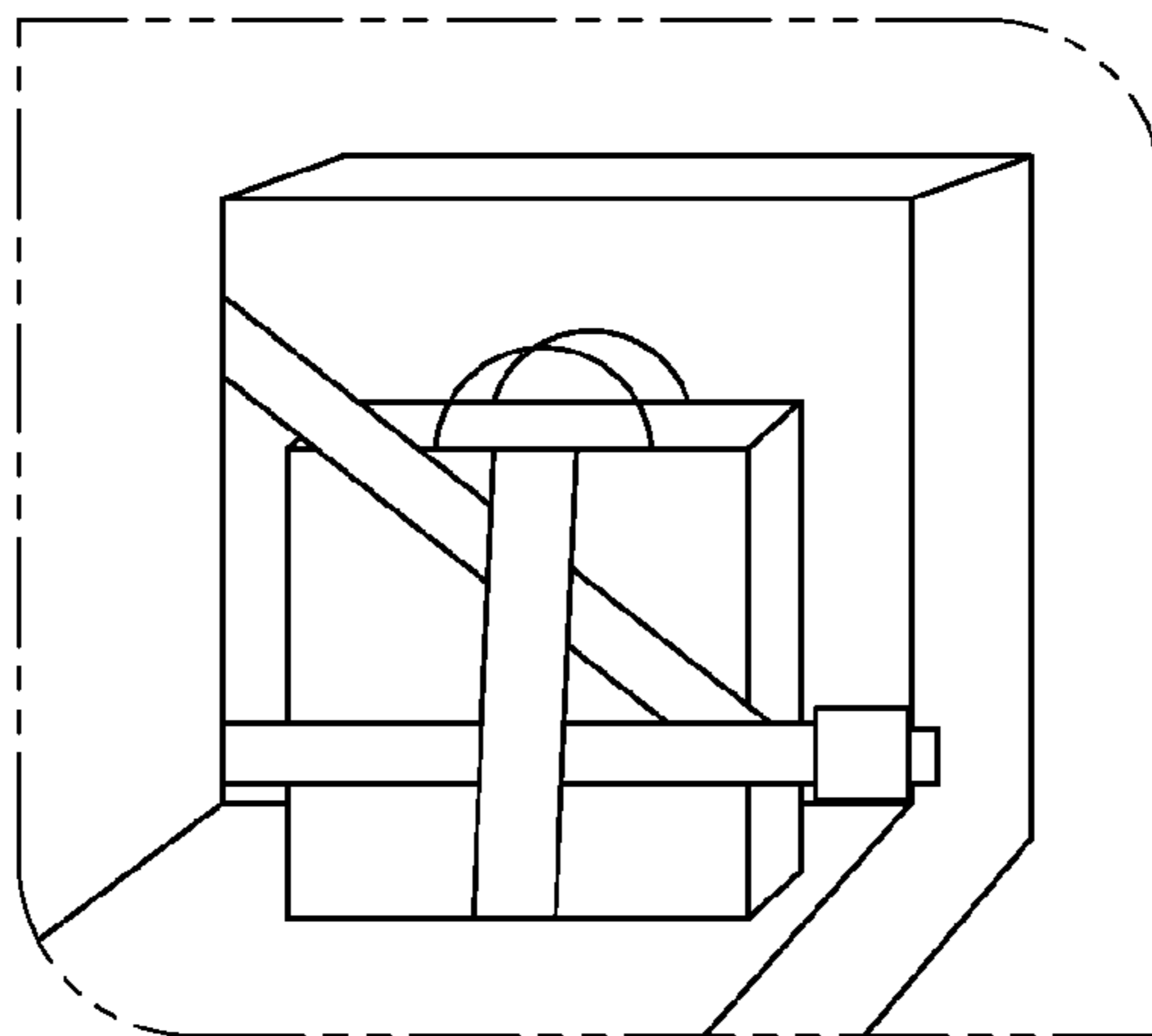


FIG. 3

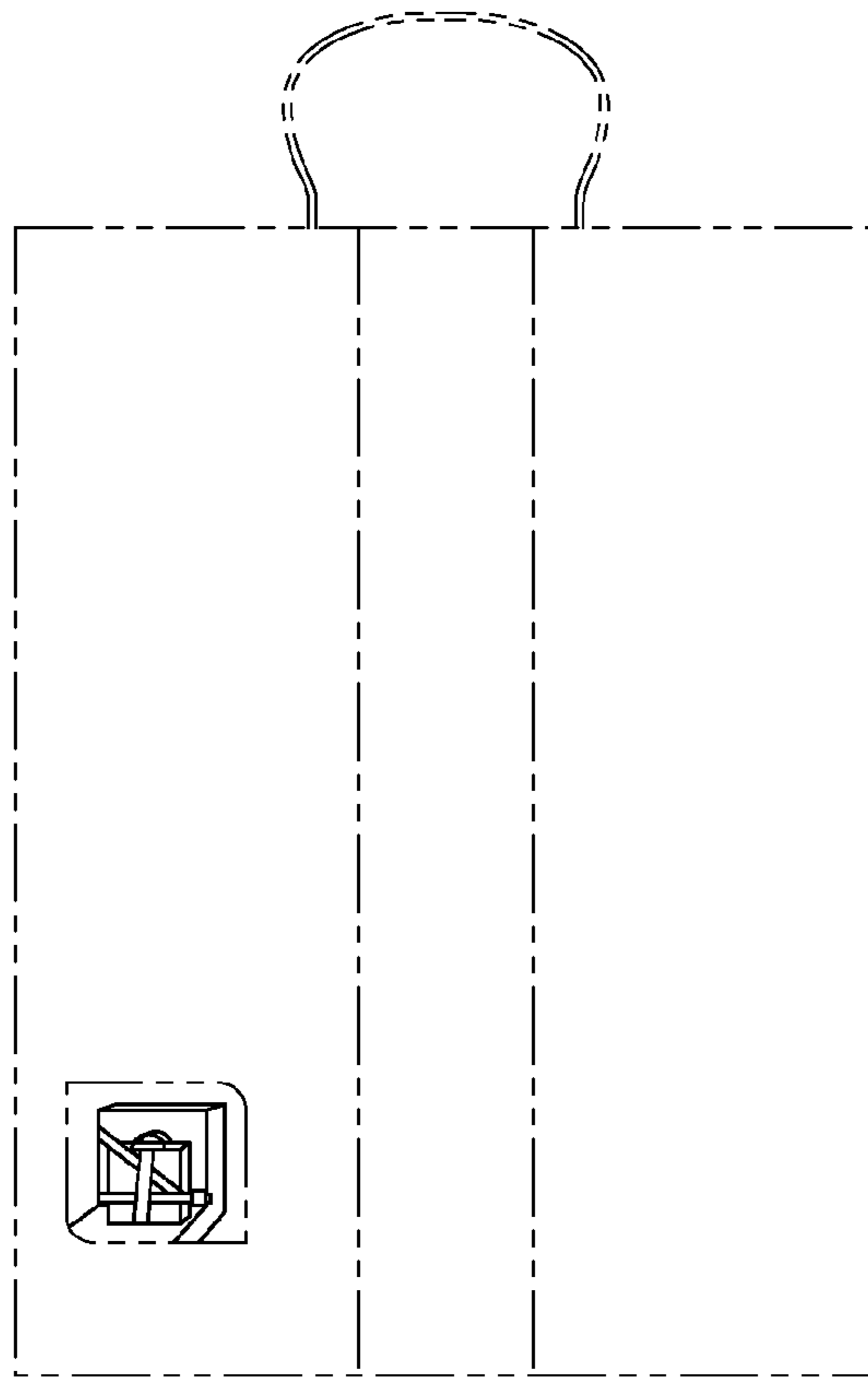


FIG. 4

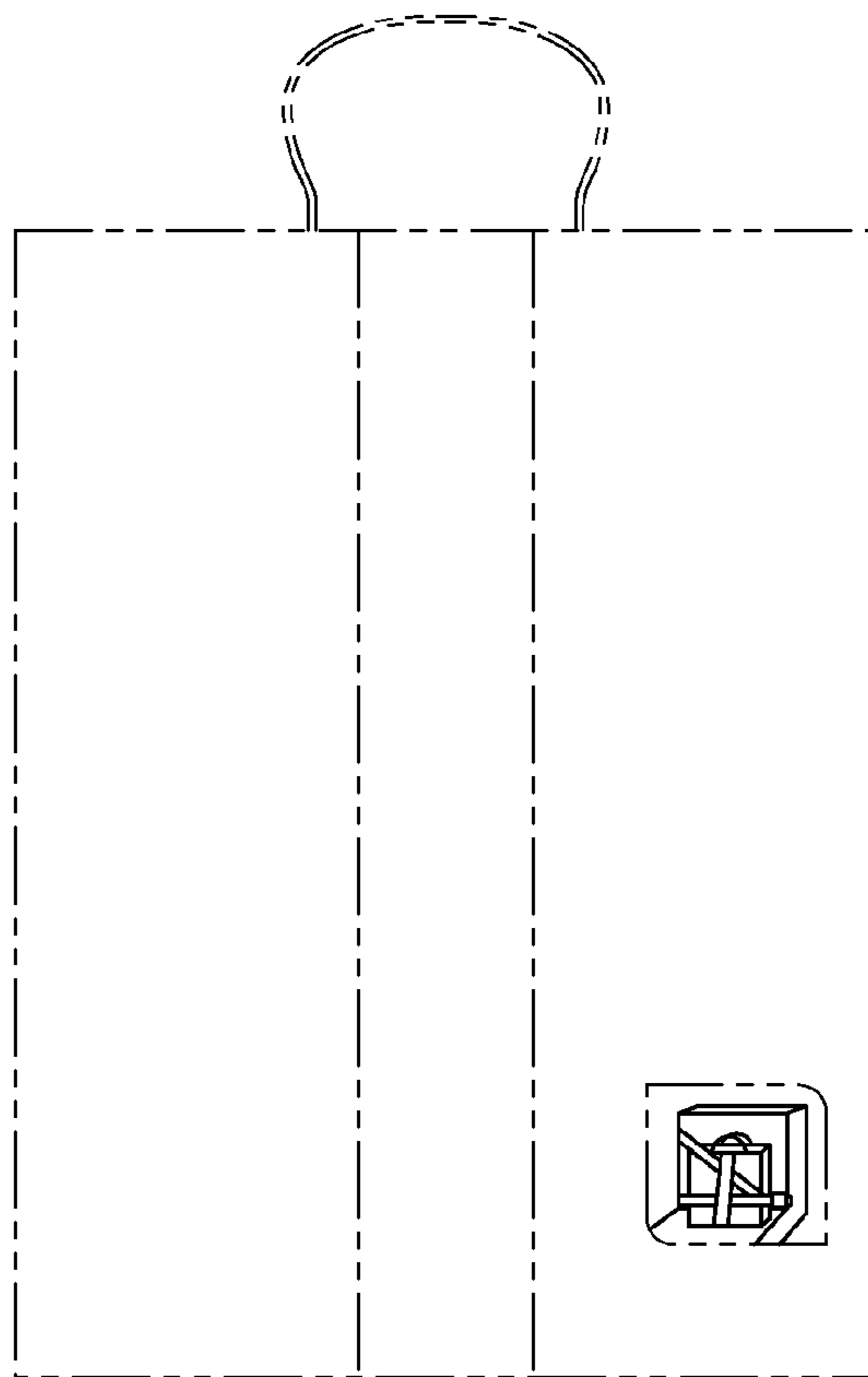


FIG. 5

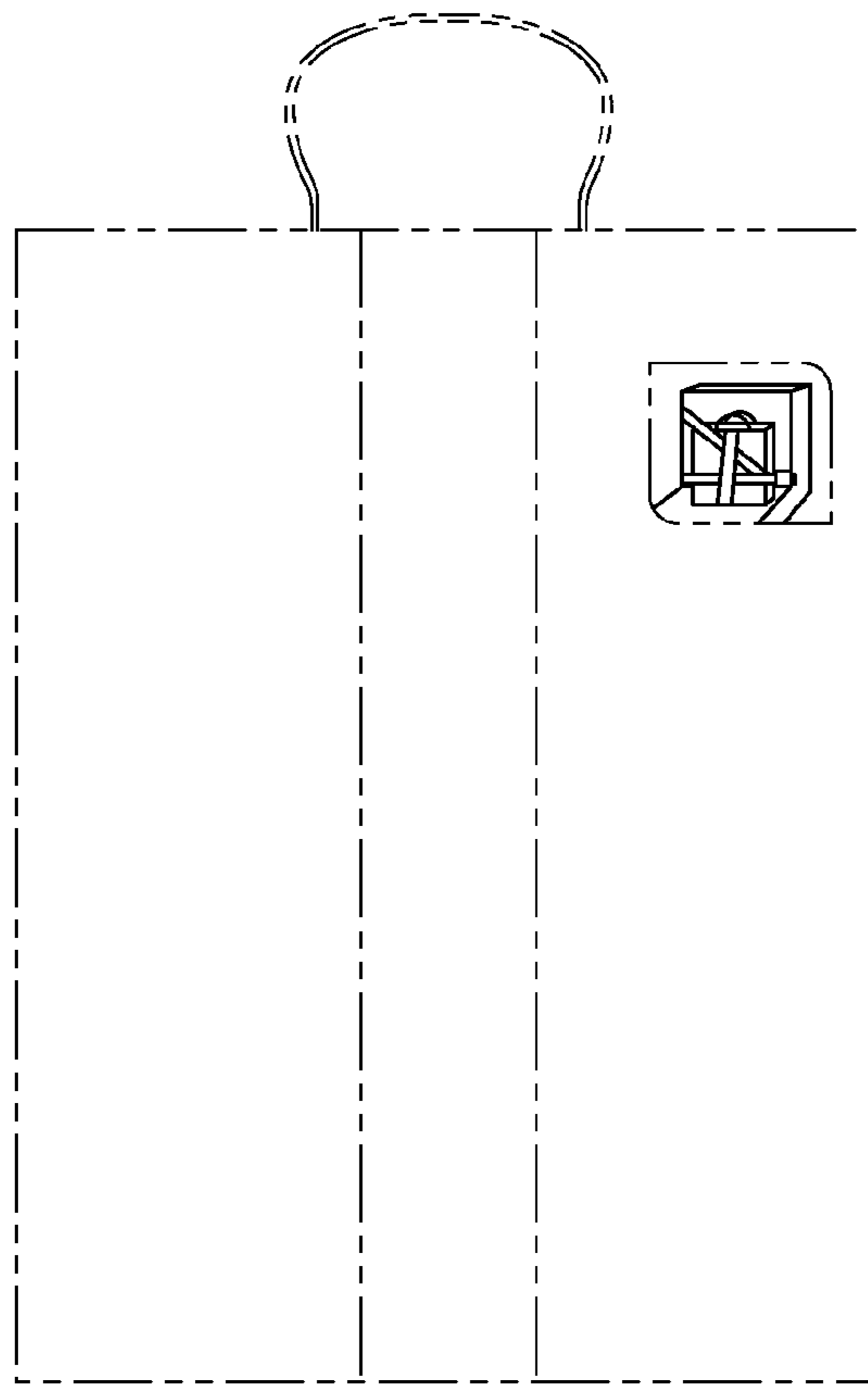


FIG. 6

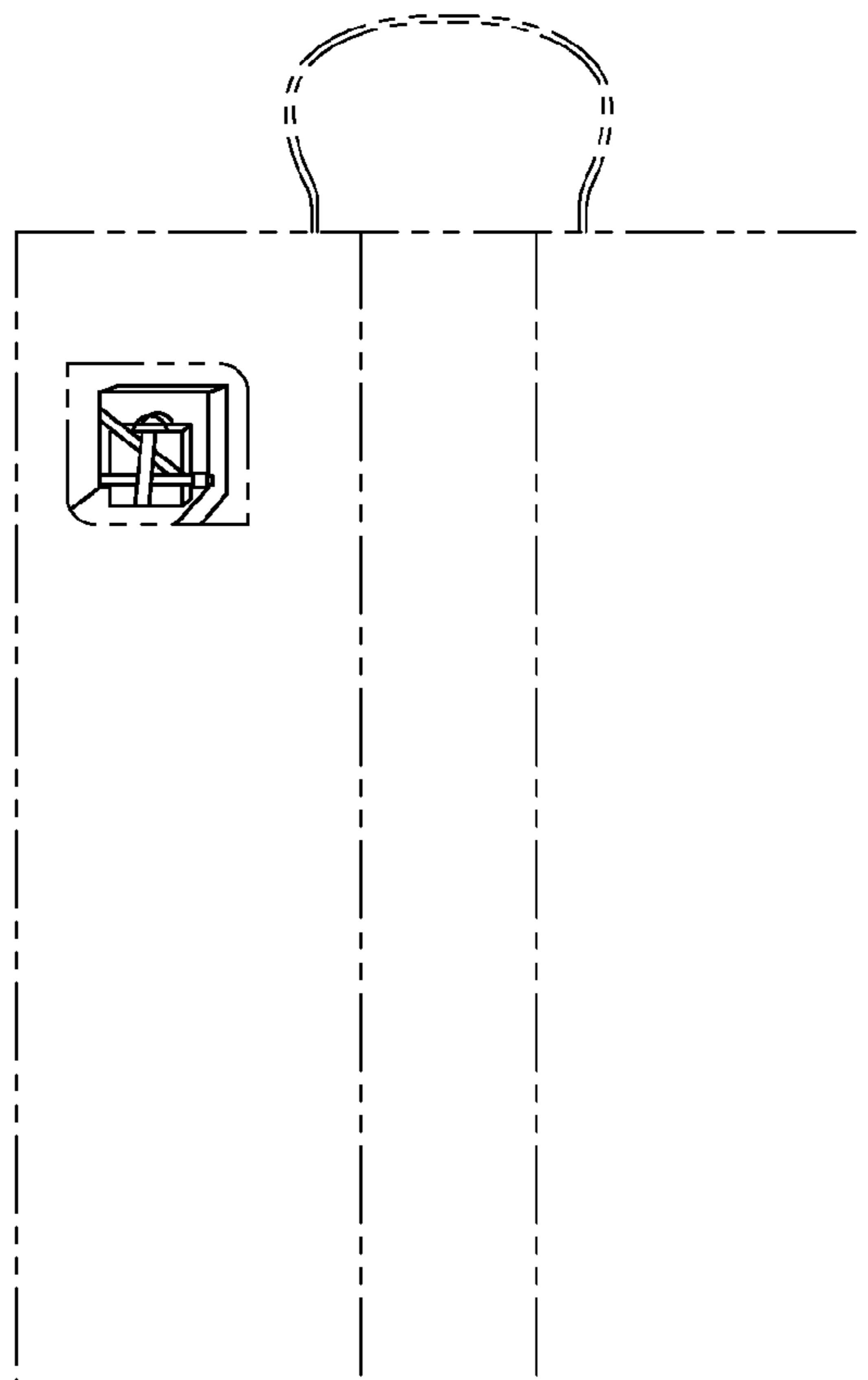


FIG. 7

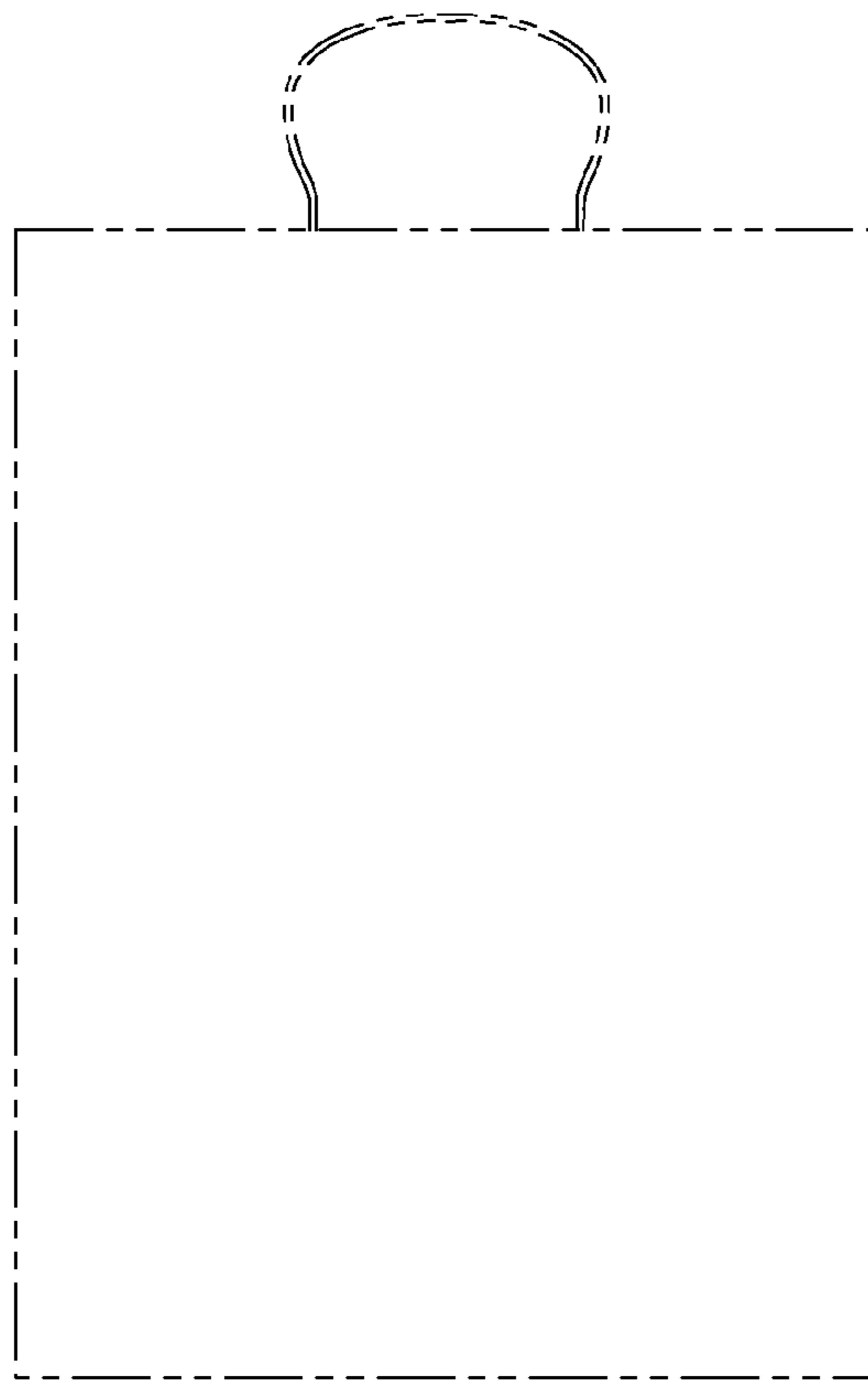


FIG. 8

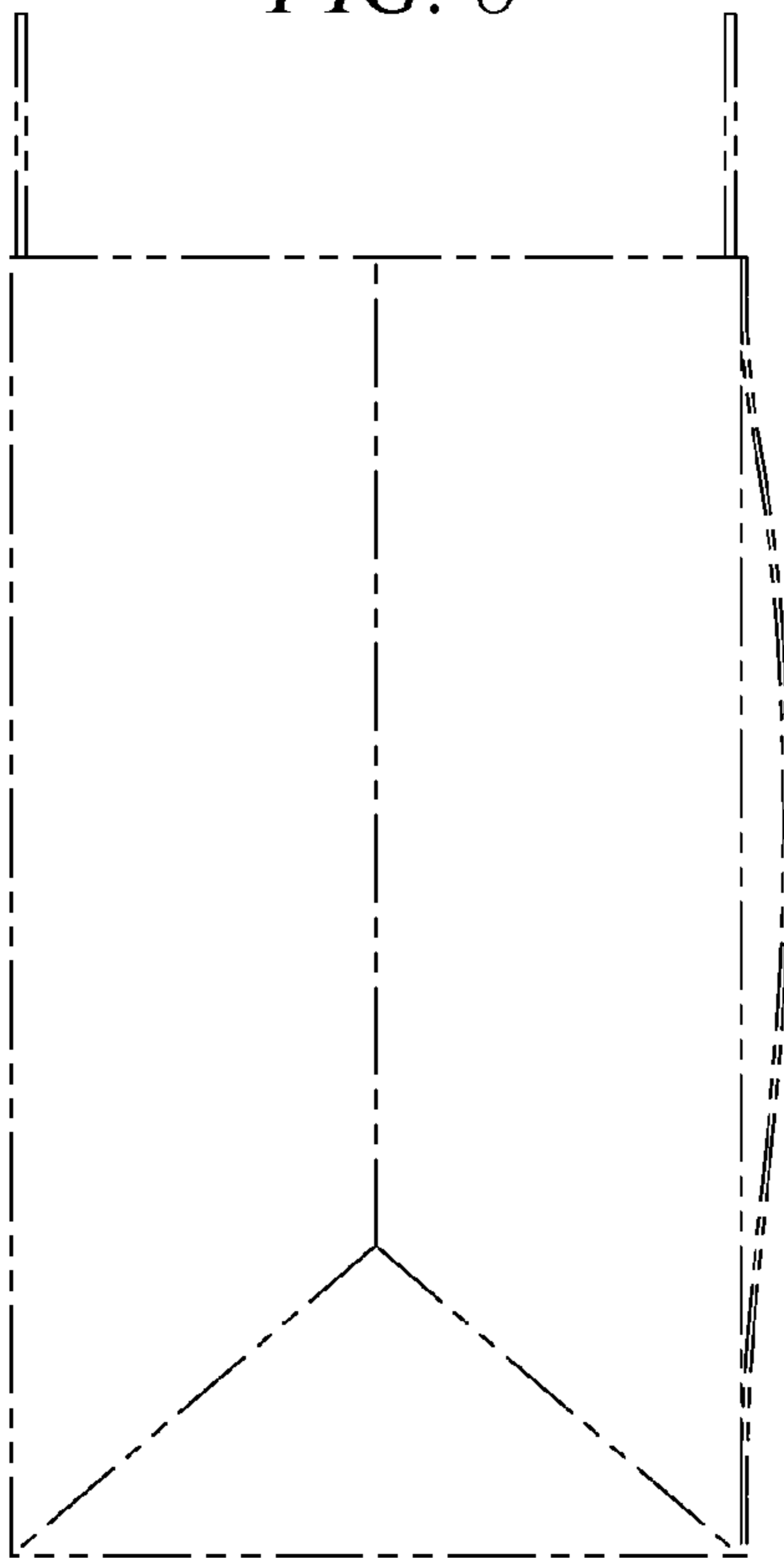


FIG. 9

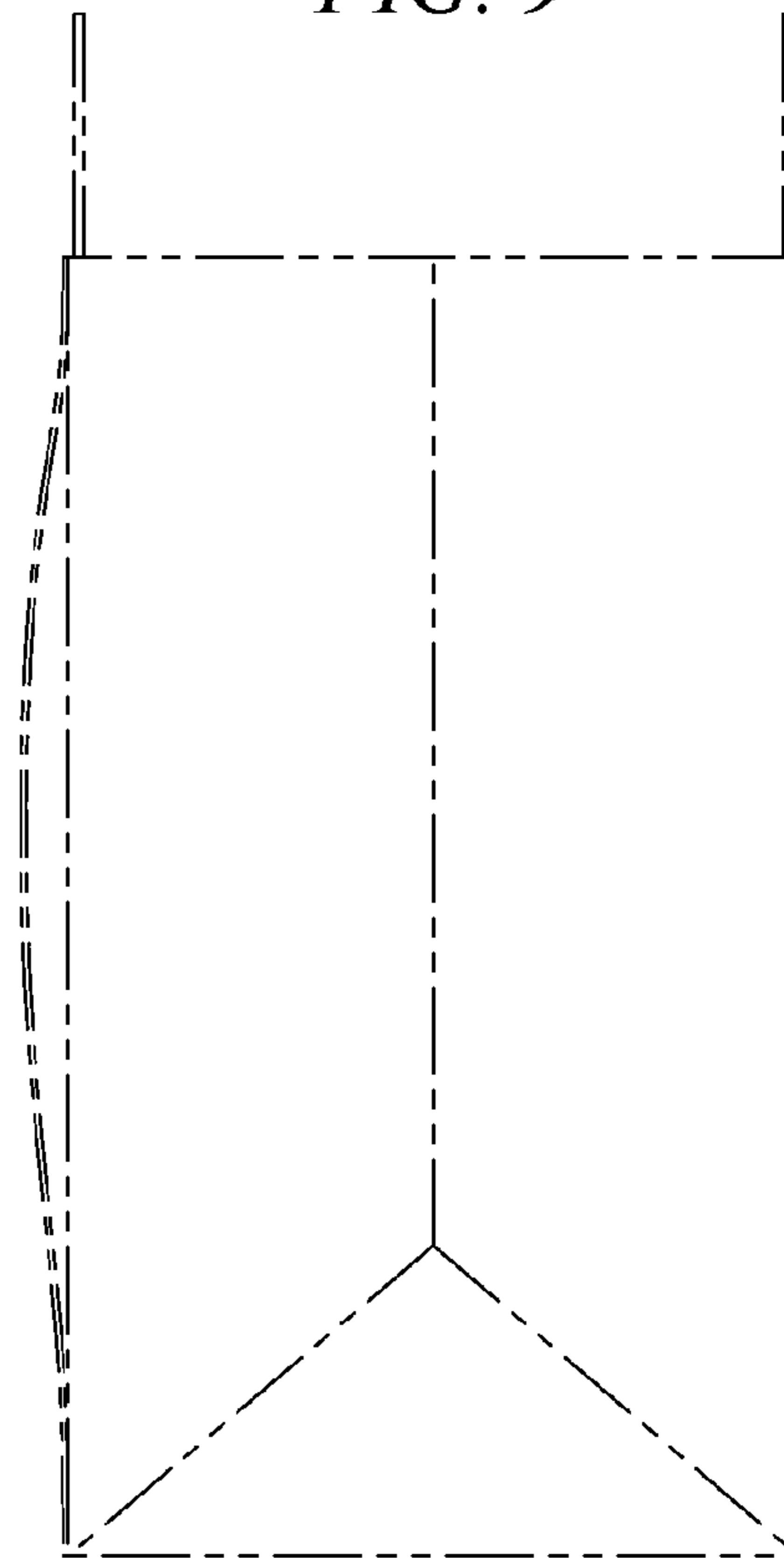


FIG. 10

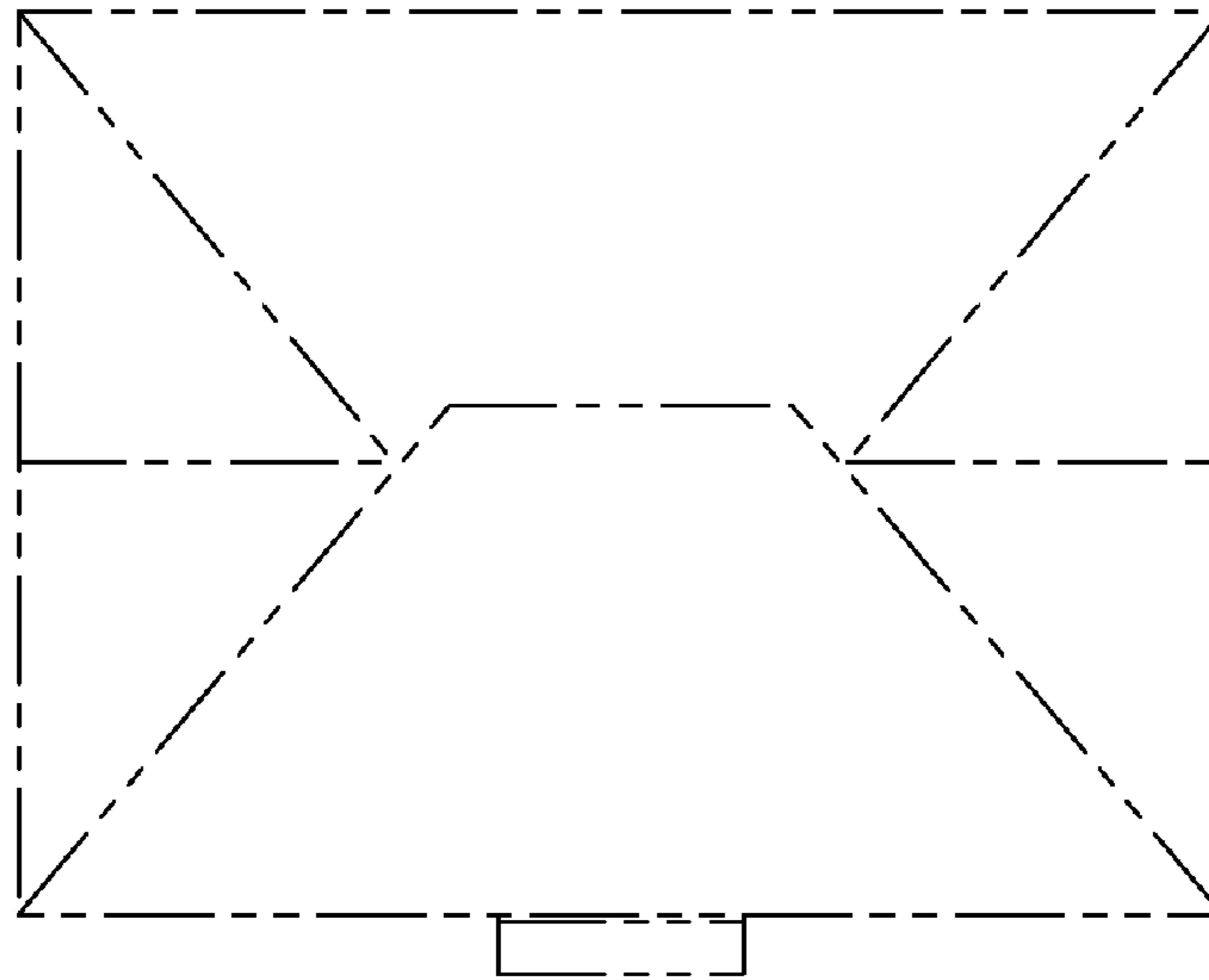


FIG. 11

