



US00D597847S

(12) **United States Design Patent**
Floyd et al.

(10) **Patent No.:** **US D597,847 S**

(45) **Date of Patent:** **** Aug. 11, 2009**

(54) **CONTAINER**

(75) Inventors: **Brian Lee Floyd**, Cincinnati, OH (US);
Ian Andrew Carnduff, New York, NY
(US); **Ian Josiah Swanson**, New York,
NY (US); **Paul Frank Diehl**, Brooklyn,
NY (US)

(73) Assignee: **The Procter & Gamble Company**,
Cincinnati, OH (US)

(**) Term: **14 Years**

(21) Appl. No.: **29/333,450**

(22) Filed: **Mar. 10, 2009**

Related U.S. Application Data

(62) Division of application No. 29/308,331, filed on Jun.
11, 2008, now Pat. No. Des. 590,268.

(51) **LOC (9) Cl.** **09-01**

(52) **U.S. Cl.** **D9/543; D9/550; D9/552**

(58) **Field of Classification Search** D9/516,
D9/542-543, 550, 552, 563, 565, 682, 685,
D9/693, 529-530; 215/382, 384
See application file for complete search history.

(56) **References Cited**

U.S. PATENT DOCUMENTS

D185,526 S * 6/1959 Alvey D9/552 X
D188,628 S * 8/1960 Heintze D9/542
D198,763 S * 7/1964 Plummer D9/542
D207,431 S * 4/1967 Shepler D9/542
D208,010 S * 6/1967 Beeman D9/542
D210,271 S * 2/1968 Sterges D9/543
D211,002 S * 5/1968 Vanderhyde D9/530
D212,458 S * 10/1968 Sterges D9/542
D217,331 S * 4/1970 Bernhard D9/542
D223,436 S * 4/1972 Hills D9/542
D229,544 S * 12/1973 Weckman D9/542
D238,854 S * 2/1976 Britt D9/542
D247,093 S * 1/1978 Torongo et al. D9/550 X

D251,111 S * 2/1979 Furlong et al. D9/549
D254,709 S * 4/1980 McCredie D9/543
D255,776 S * 7/1980 Britt D9/543
D392,569 S * 3/1998 Feen D9/543
D399,431 S * 10/1998 de Baschmakoff D9/540
D568,162 S * 5/2008 Mongeon et al. D9/565 X
D587,591 S * 3/2009 Crawford D9/563
D588,461 S * 3/2009 Davis et al. D9/550 X

* cited by examiner

Primary Examiner—Carol Rademaker

(74) *Attorney, Agent, or Firm*—David V. Upite

(57) **CLAIM**

The ornamental design for a container, as shown and
described.

DESCRIPTION

FIG. 1 is a perspective view of a first embodiment of a con-
tainer;

FIG. 2 is a front elevational view thereof, the rear elevational
view being a mirror image;

FIG. 3 is a left side elevational view thereof;

FIG. 4 is a right side elevational view thereof;

FIG. 5 is a top plan view thereof;

FIG. 6 is a bottom plan view thereof;

FIG. 7 is a perspective view of a second embodiment of a
container;

FIG. 8 is a front elevational view thereof, the rear elevational
view being a mirror image;

FIG. 9 is a left side elevational view thereof;

FIG. 10 is a right side elevational view thereof;

FIG. 11 is a top plan view thereof; and,

FIG. 12 is a bottom plan view thereof.

The broken line showing of environmental structure in the
figures is for illustrative purposes only and forms no part of
the claimed design.

1 Claim, 10 Drawing Sheets

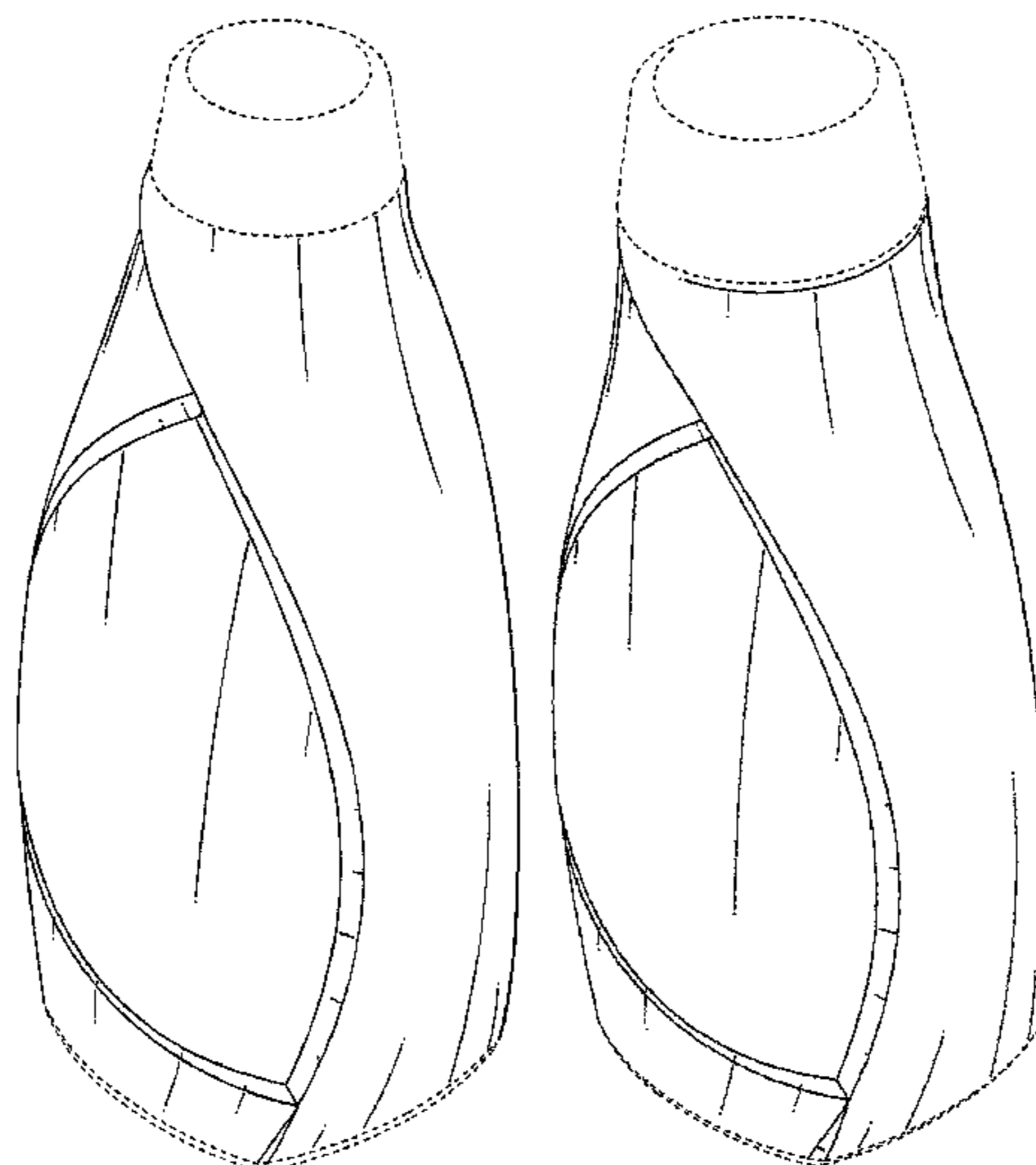




FIG. 1

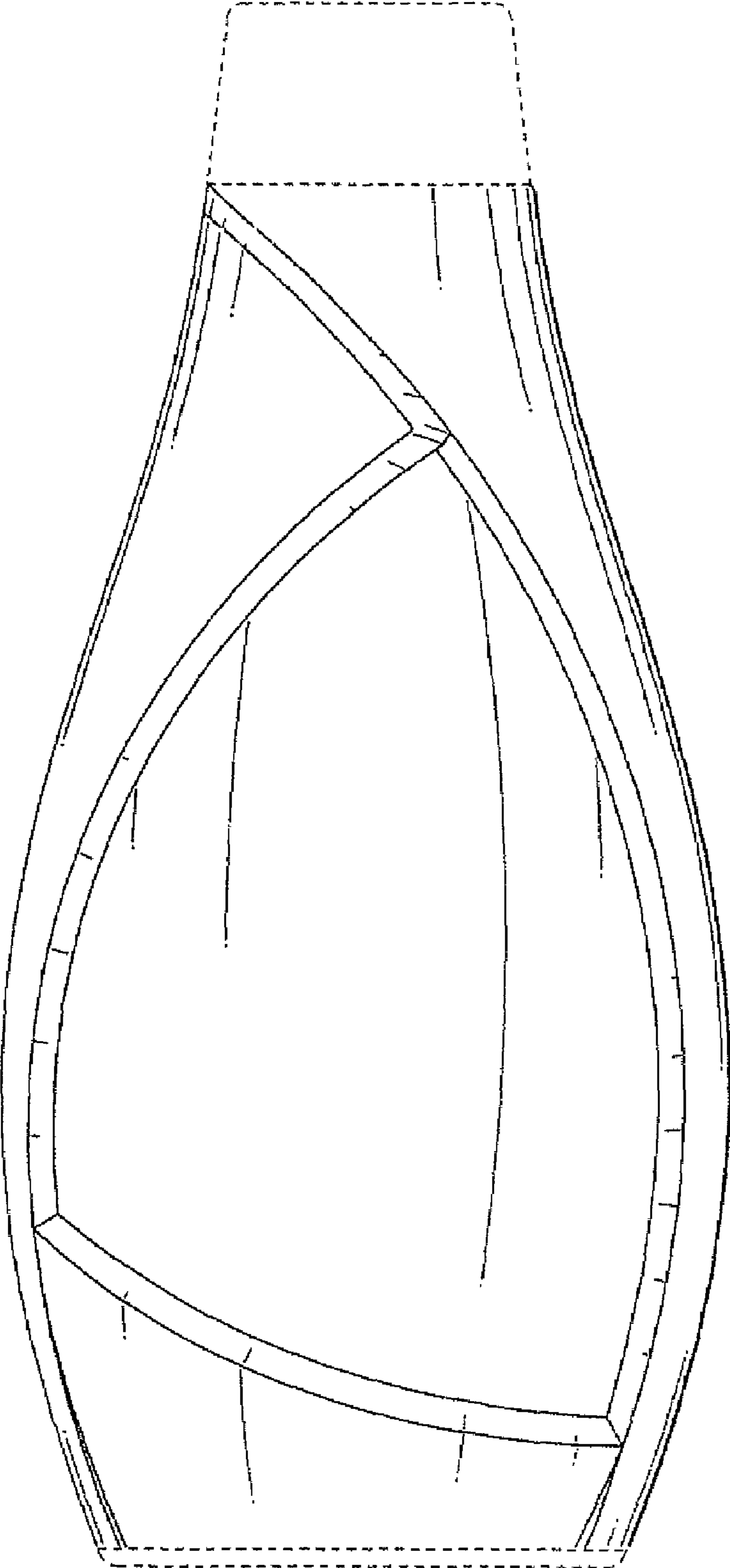


FIG. 2

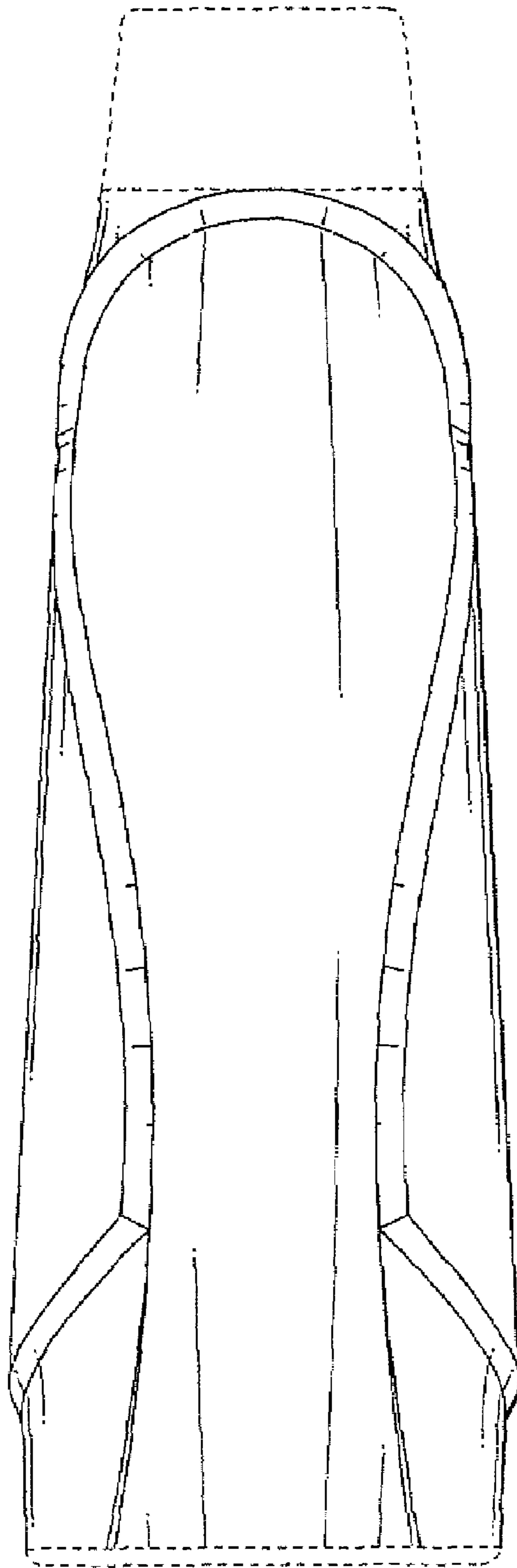


FIG. 3

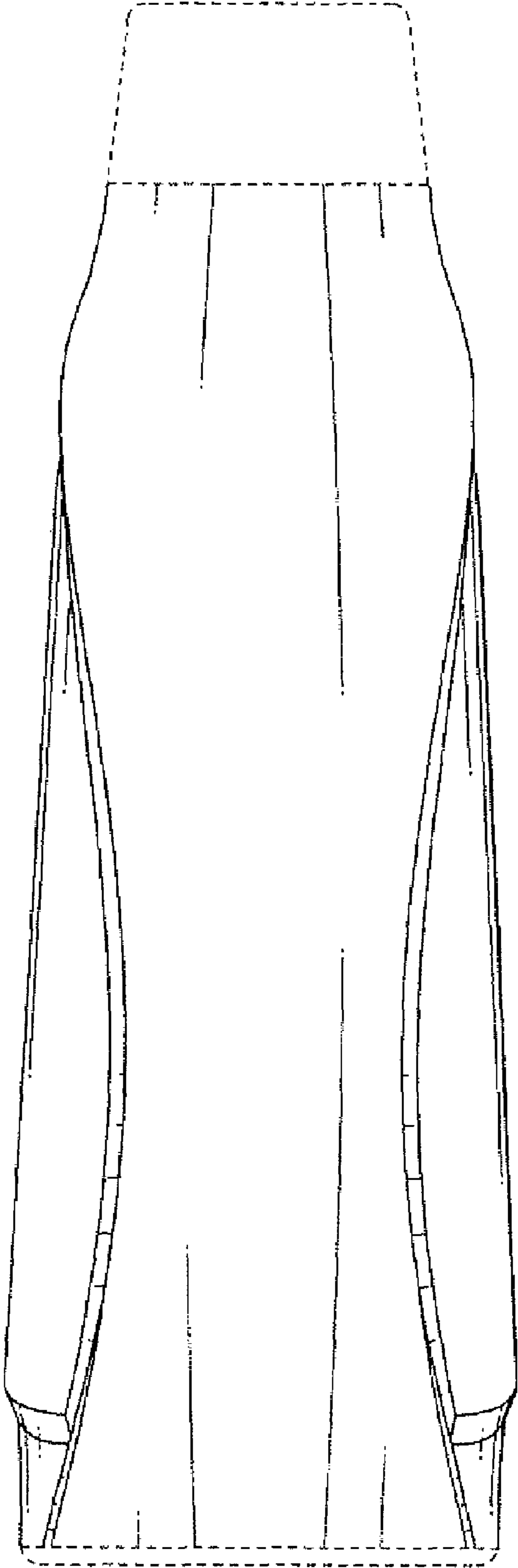


FIG. 4

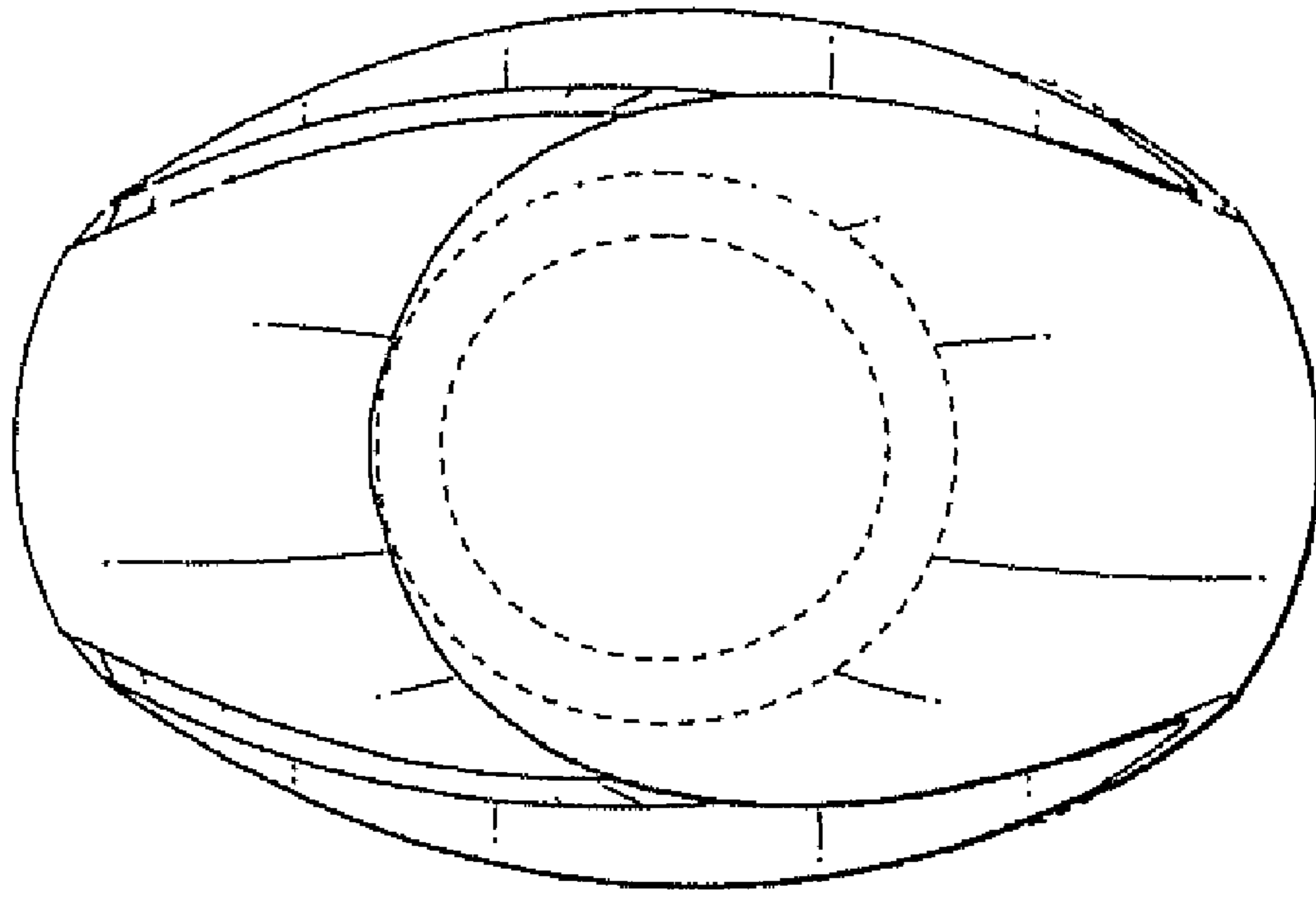


FIG. 5

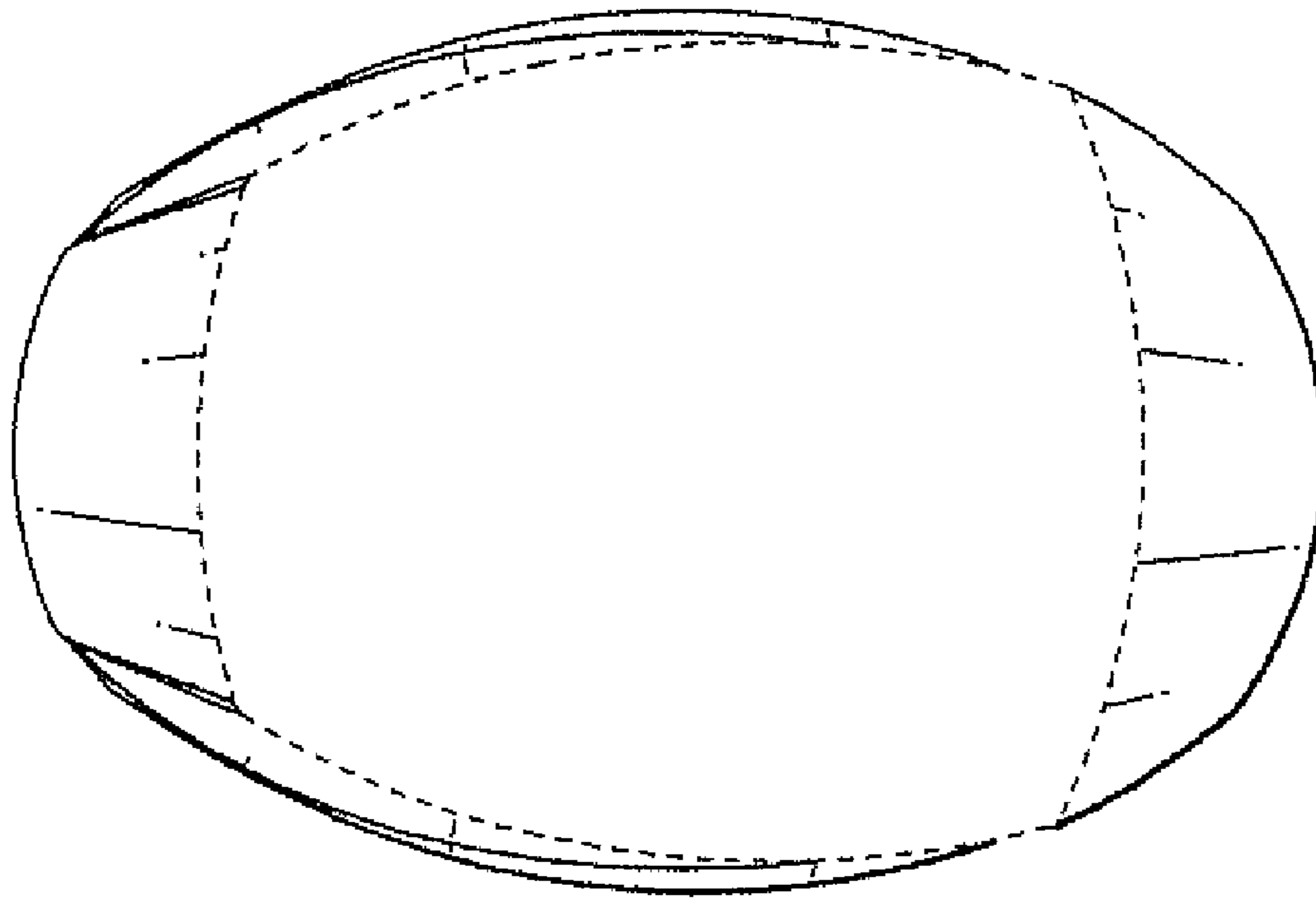


FIG. 6



FIG. 7

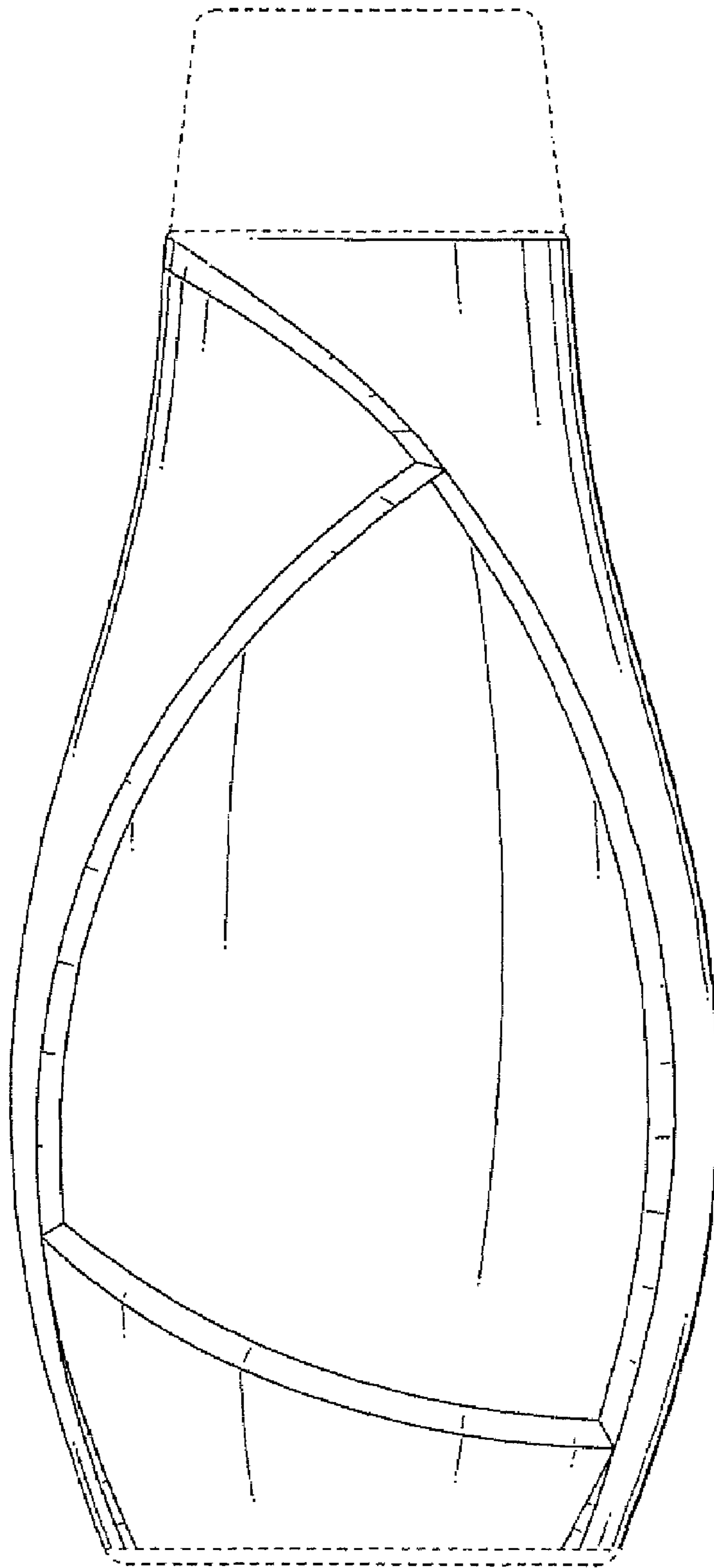


FIG. 8

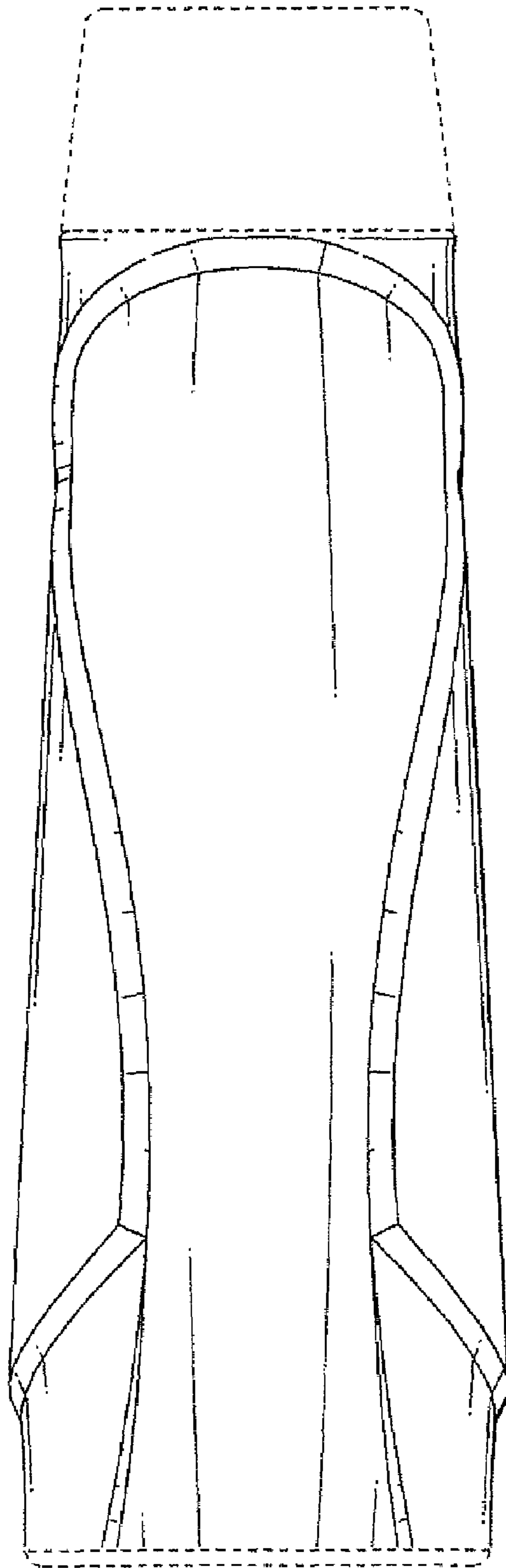


FIG. 9

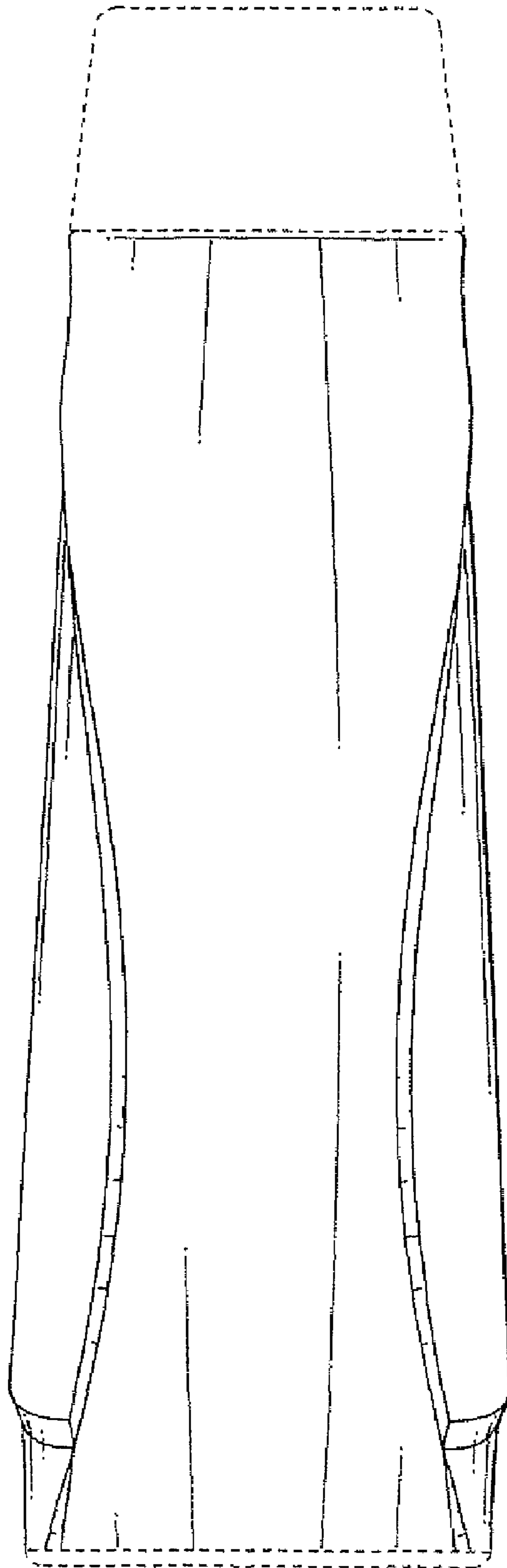


FIG. 10

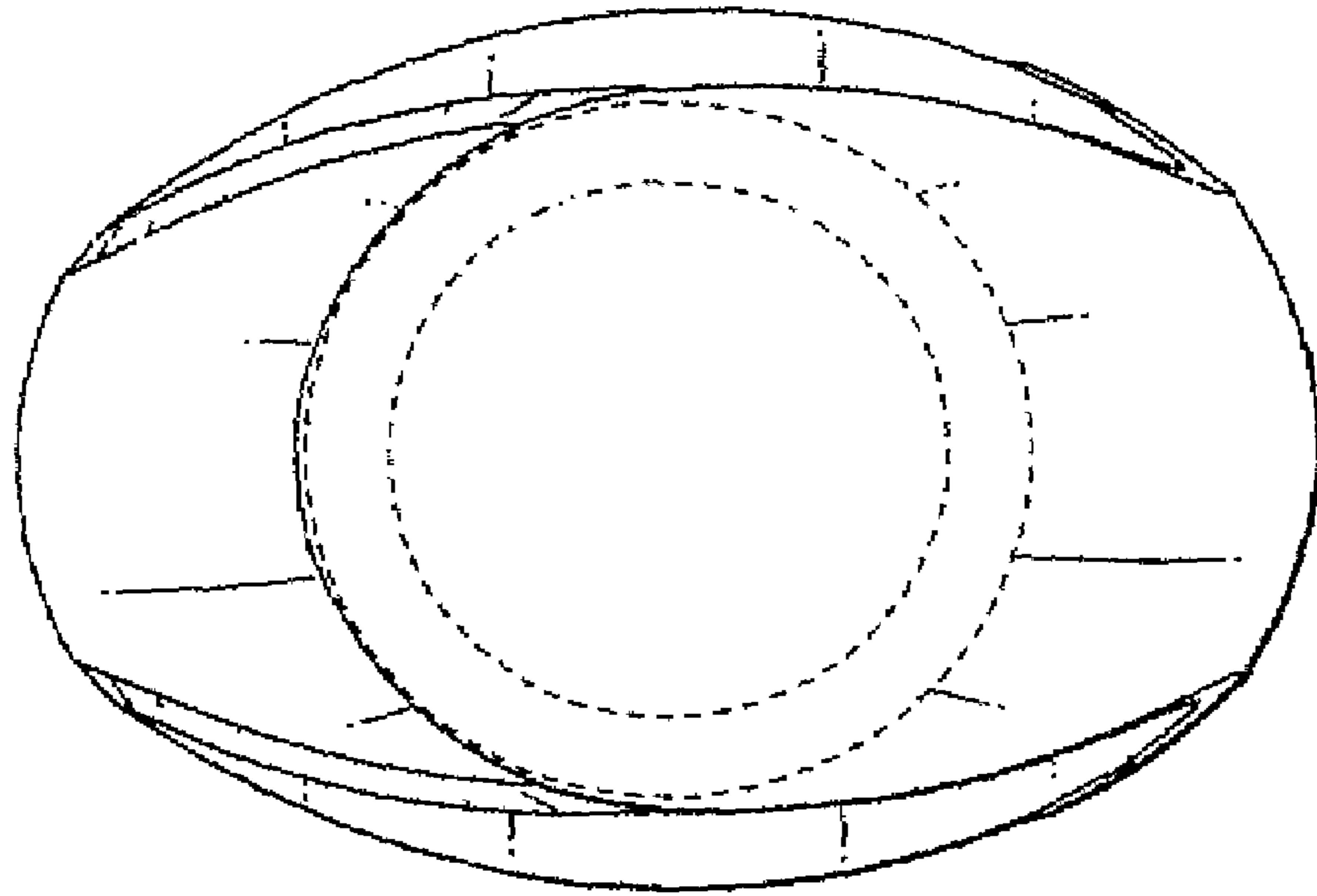


FIG. 11

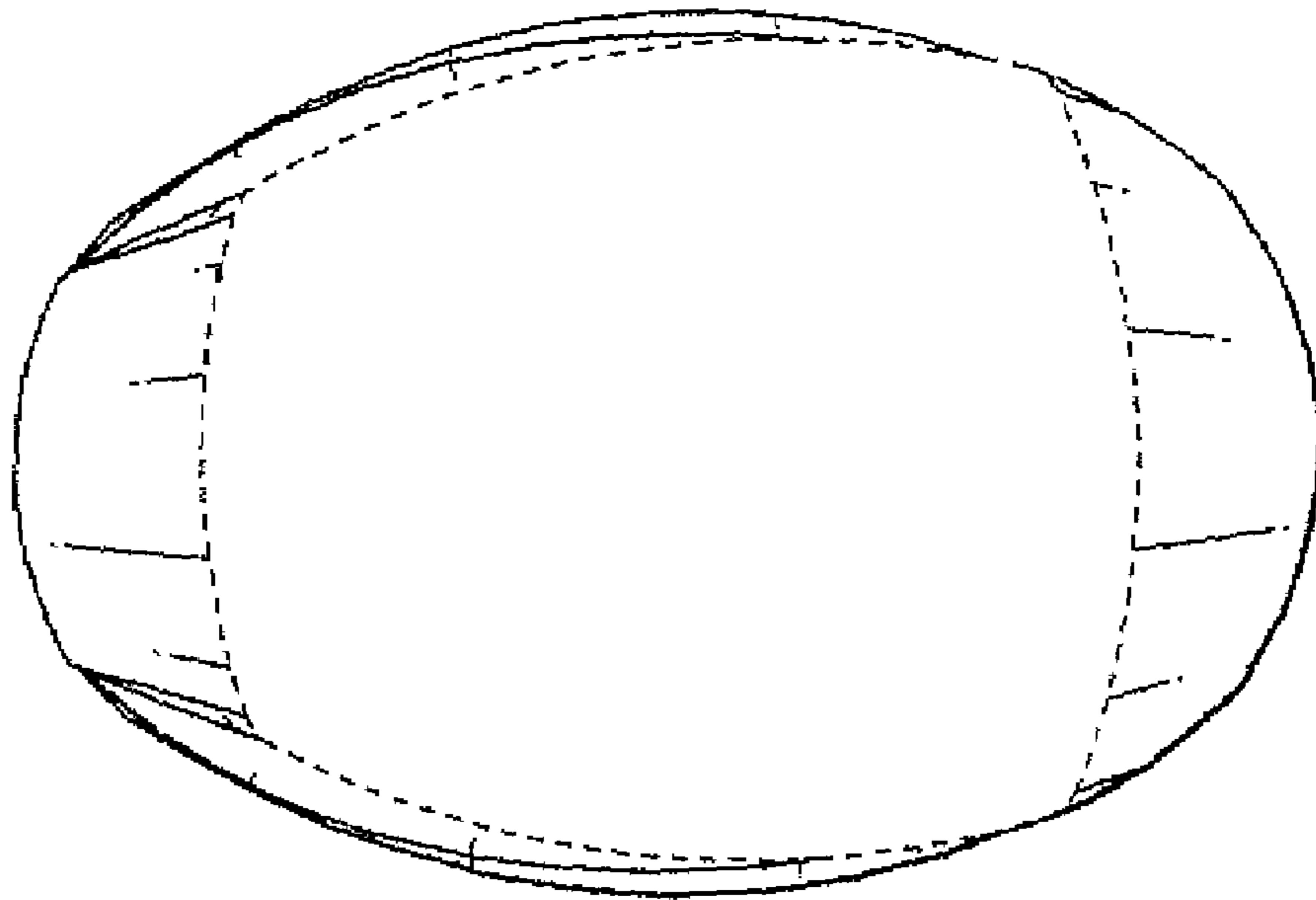


FIG. 12