



US00D597846S

(12) **United States Design Patent**
Brady

(10) **Patent No.:** **US D597,846 S**

(45) **Date of Patent:** **** Aug. 11, 2009**

(54) **BOTTLE**

(75) Inventor: **Daniel Brady**, London (GB)

(73) Assignee: **Reckitt Benckiser (UK) Limited**,
Slough, Berkshire (GB)

(**) Term: **14 Years**

(21) Appl. No.: **29/297,858**

(22) Filed: **Nov. 20, 2007**

(30) **Foreign Application Priority Data**

May 25, 2007 (EM) 000729603-0001

(51) **LOC (9) Cl.** **09-01**

(52) **U.S. Cl.** **D9/542; D9/573; D9/574**

(58) **Field of Classification Search** D9/500,
D9/516, 519, 521-522, 524, 529-530, 537-543,
D9/544-547, 549, 551-554, 556-557, 559-561,
D9/564-565, 567, 571-575, 682-694, 452,
D9/454; 215/382-384

See application file for complete search history.

(56) **References Cited**

U.S. PATENT DOCUMENTS

D67,625 S *	6/1925	Terry	D9/544
D75,852 S *	7/1928	LeLong	D9/542
D89,223 S *	2/1933	Straub et al.	D9/573
D94,250 S *	1/1935	Twiggs	D9/544
D107,688 S *	12/1937	Lloyd	D9/567
D119,386 S *	3/1940	Grunberg	D9/539
D166,002 S *	2/1952	Serra	D9/573
D241,517 S *	9/1976	Koenigsberg	D9/573
D244,579 S *	6/1977	Dinand	D9/563
D299,429 S *	1/1989	Dinand	D9/566
D338,154 S *	8/1993	Breneman et al.	D9/667
D423,628 S *	4/2000	Smart et al.	D22/108
6,095,705 A *	8/2000	Phillips	401/6
D471,816 S *	3/2003	Garcia	D9/516

D484,790 S *	1/2004	Sgariboldi	D9/694
D489,006 S *	4/2004	Guerrero Vallejo	D9/529
D537,725 S *	3/2007	Varlet	D9/544
D553,004 S *	10/2007	Krakoff	D9/694
D574,257 S *	8/2008	Zeidan	D9/694
D587,596 S *	3/2009	Lloyd	D9/572 X
D588,469 S *	3/2009	Pininfarina	D9/687

* cited by examiner

Primary Examiner—Carol Rademaker

(57) **CLAIM**

The ornamental design for a bottle, as shown and described.

DESCRIPTION

FIG. 1 is a top, front, and right side perspective view of a first embodiment of my bottle;

FIG. 2 is a front elevational view thereof;

FIG. 3 is a rear elevational view thereof;

FIG. 4 is a right side elevational view thereof, the left side elevational view being a mirror image except for the threads;

FIG. 5 is a top plan view thereof;

FIG. 6 is a bottom plan view thereof;

FIG. 7 is a top, front, and right side perspective view of a second embodiment of my bottle;

FIG. 8 is a front elevational view thereof;

FIG. 9 is a rear elevational view thereof;

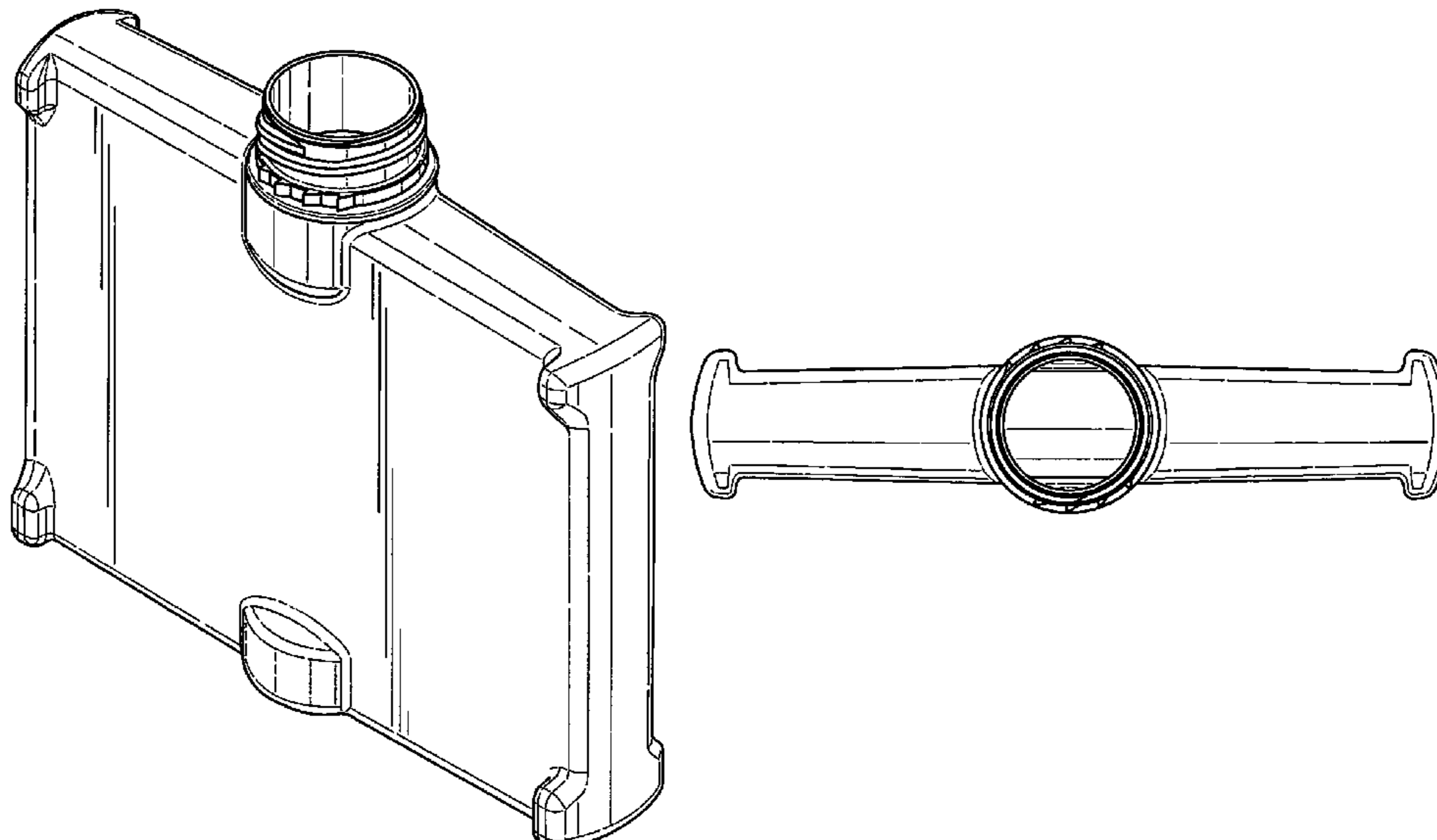
FIG. 10 is a right side elevational view thereof, the left side elevational view being a mirror image except for the threads;

FIG. 11 is a top plan view thereof; and,

FIG. 12 is a bottom plan view thereof.

The broken lines shown in the drawings are included for the purpose of showing environmental structure that forms no part of the claimed design.

1 Claim, 10 Drawing Sheets



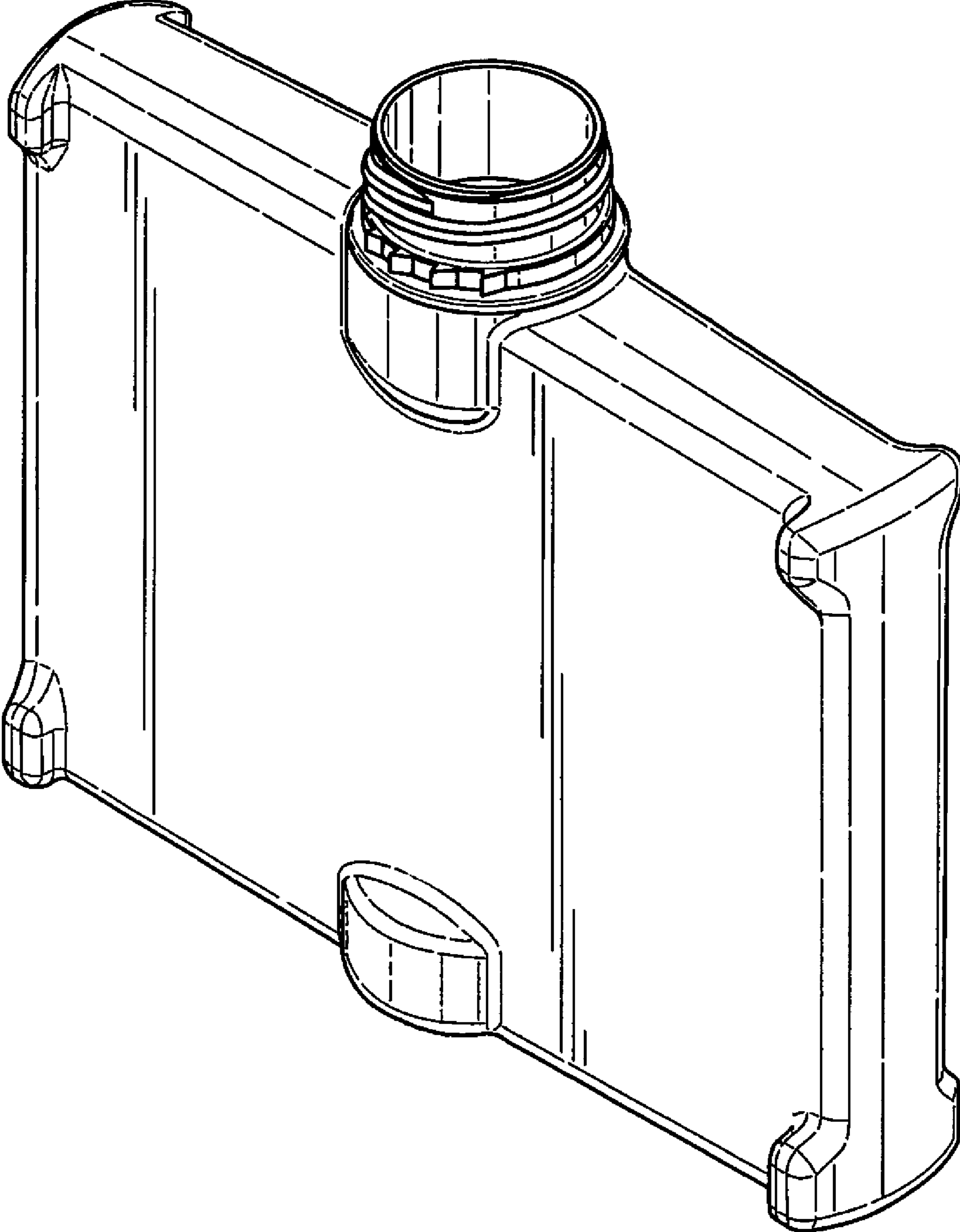


Fig. 1.

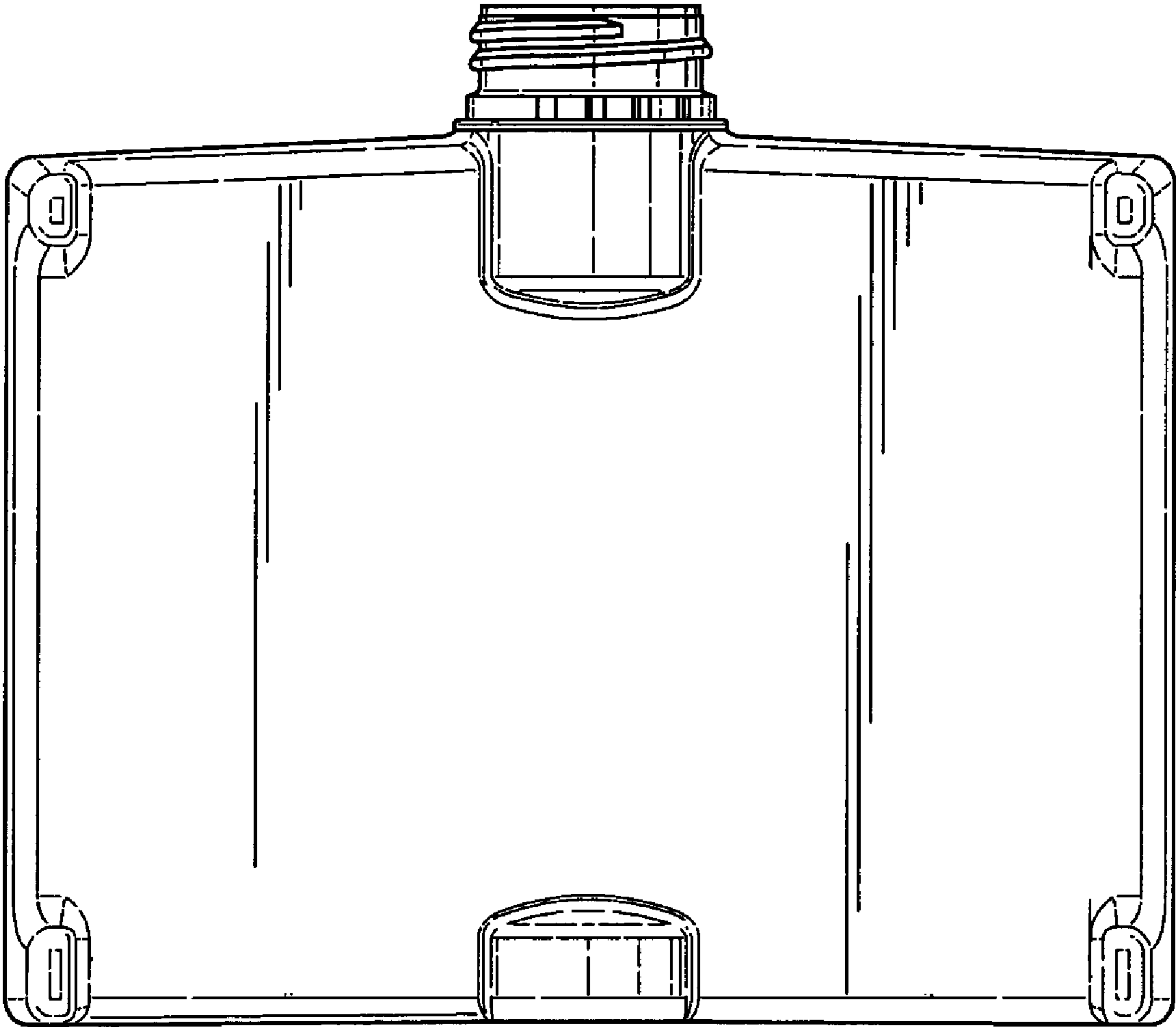


Fig.2.

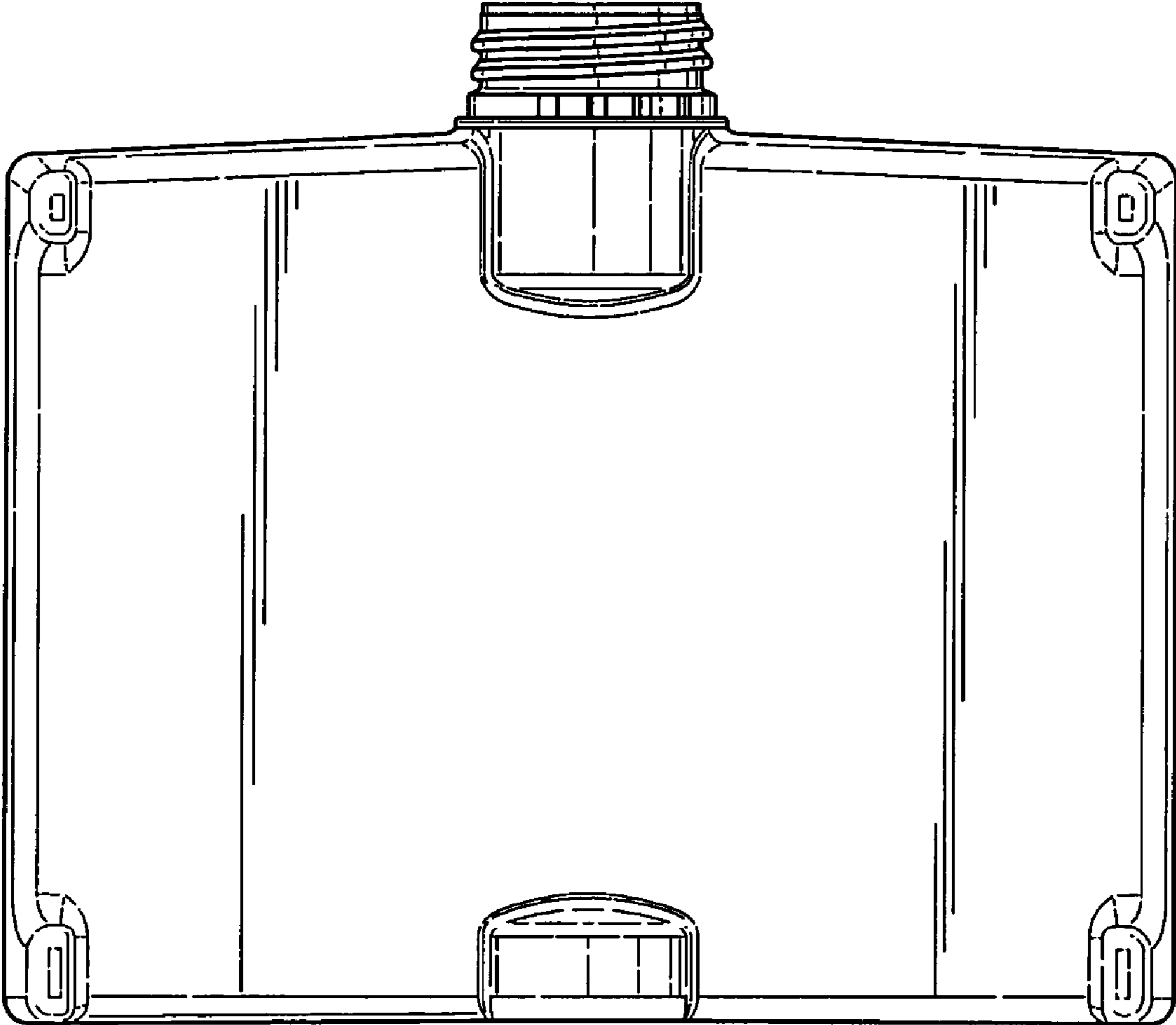


Fig.3.

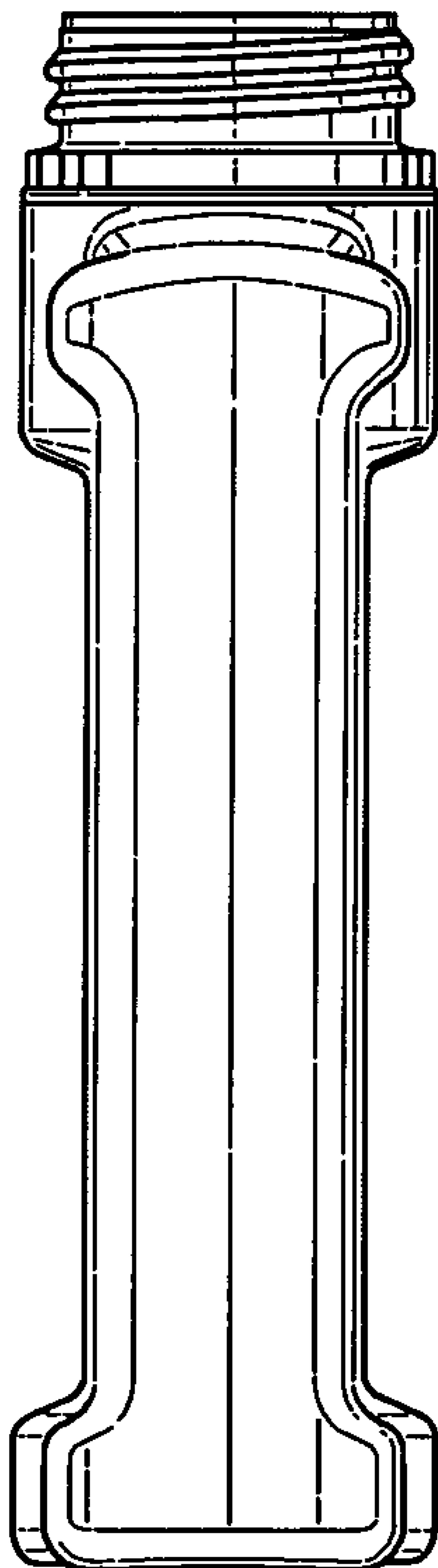


Fig.4.

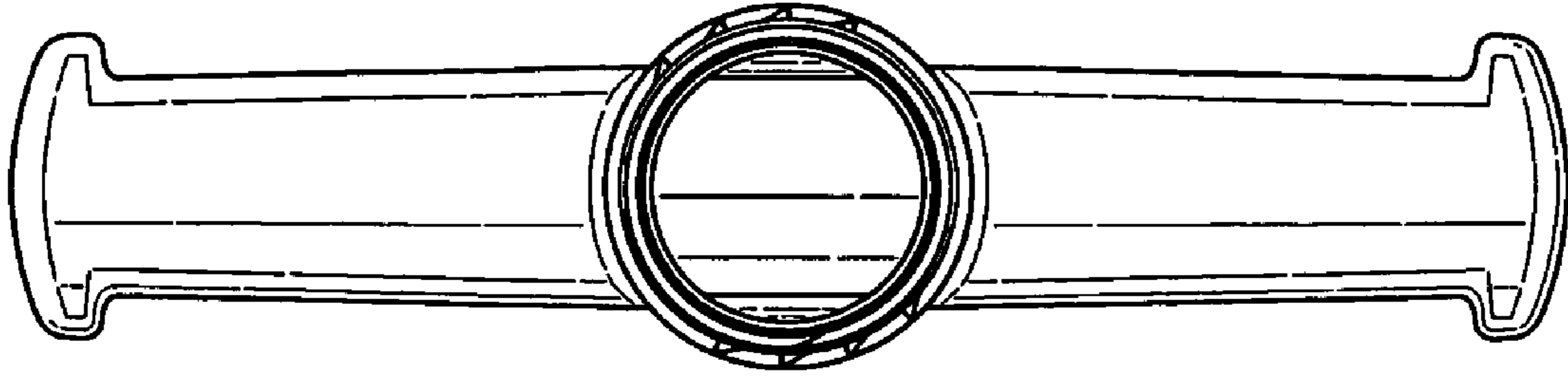


Fig. 5.

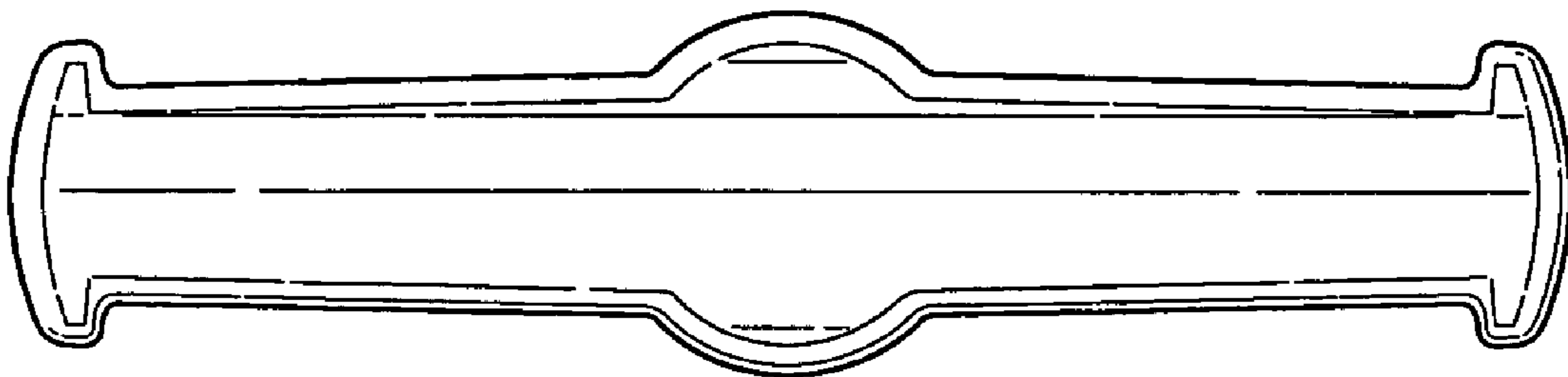


Fig. 6.

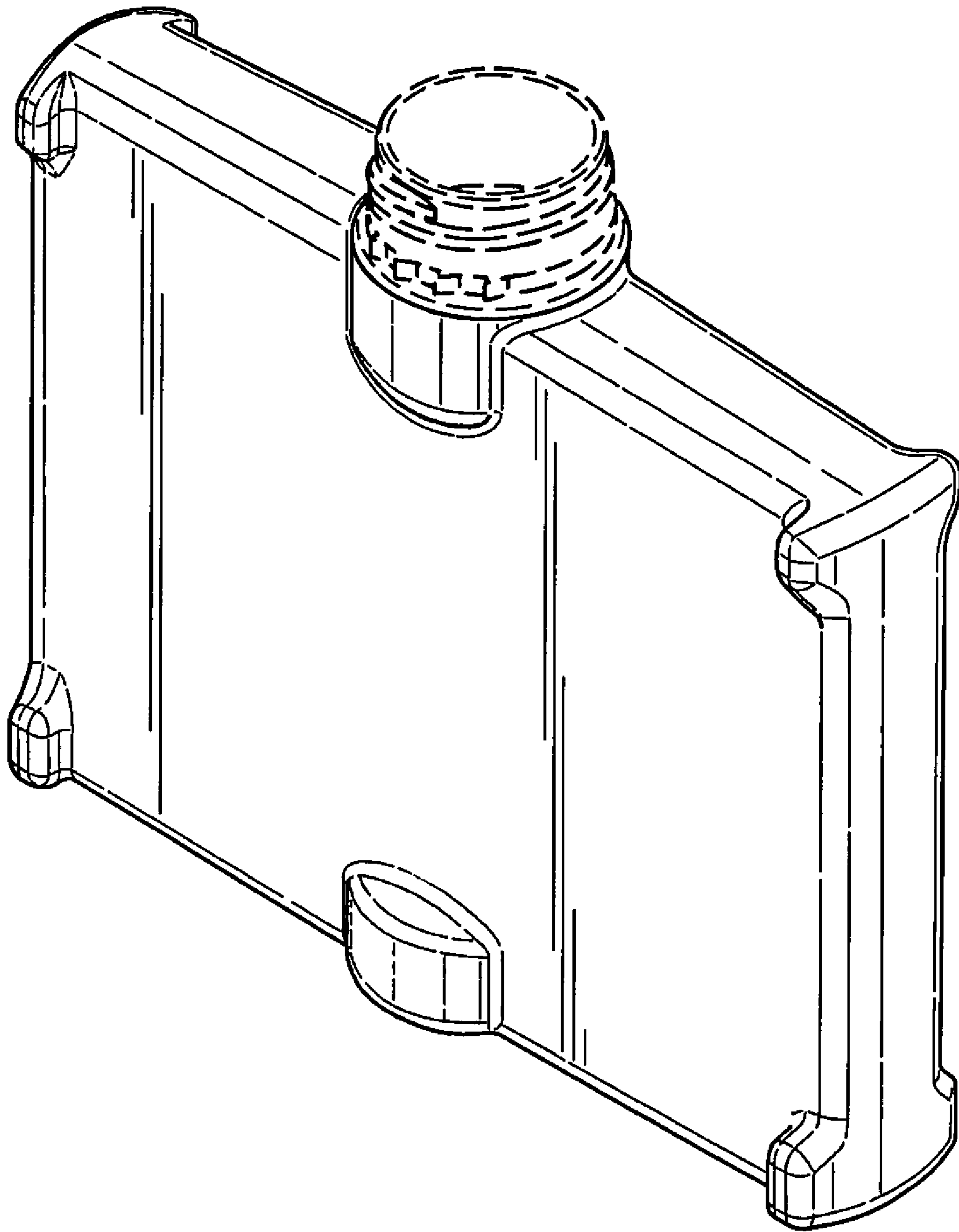


Fig.7.

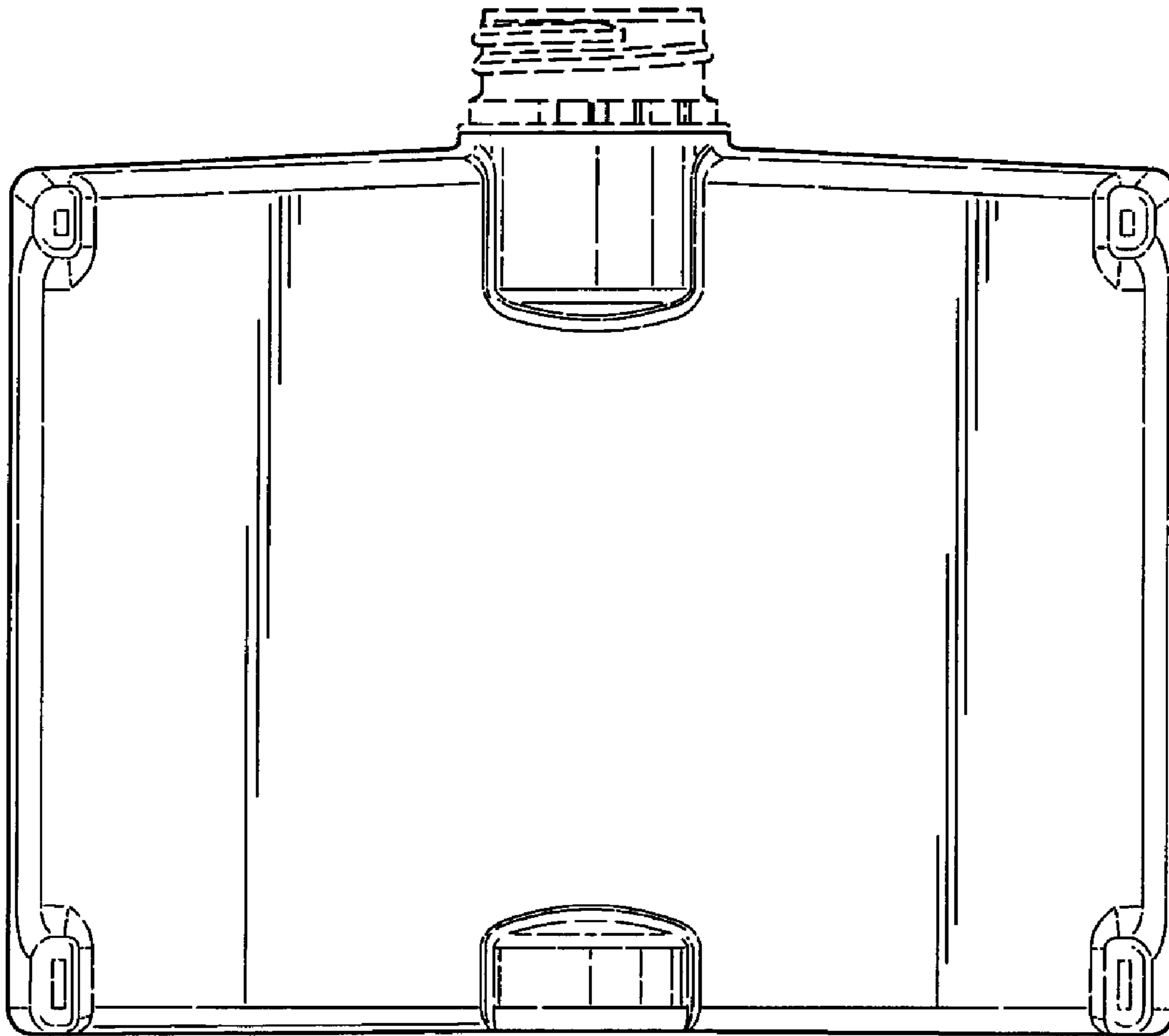


Fig.8.

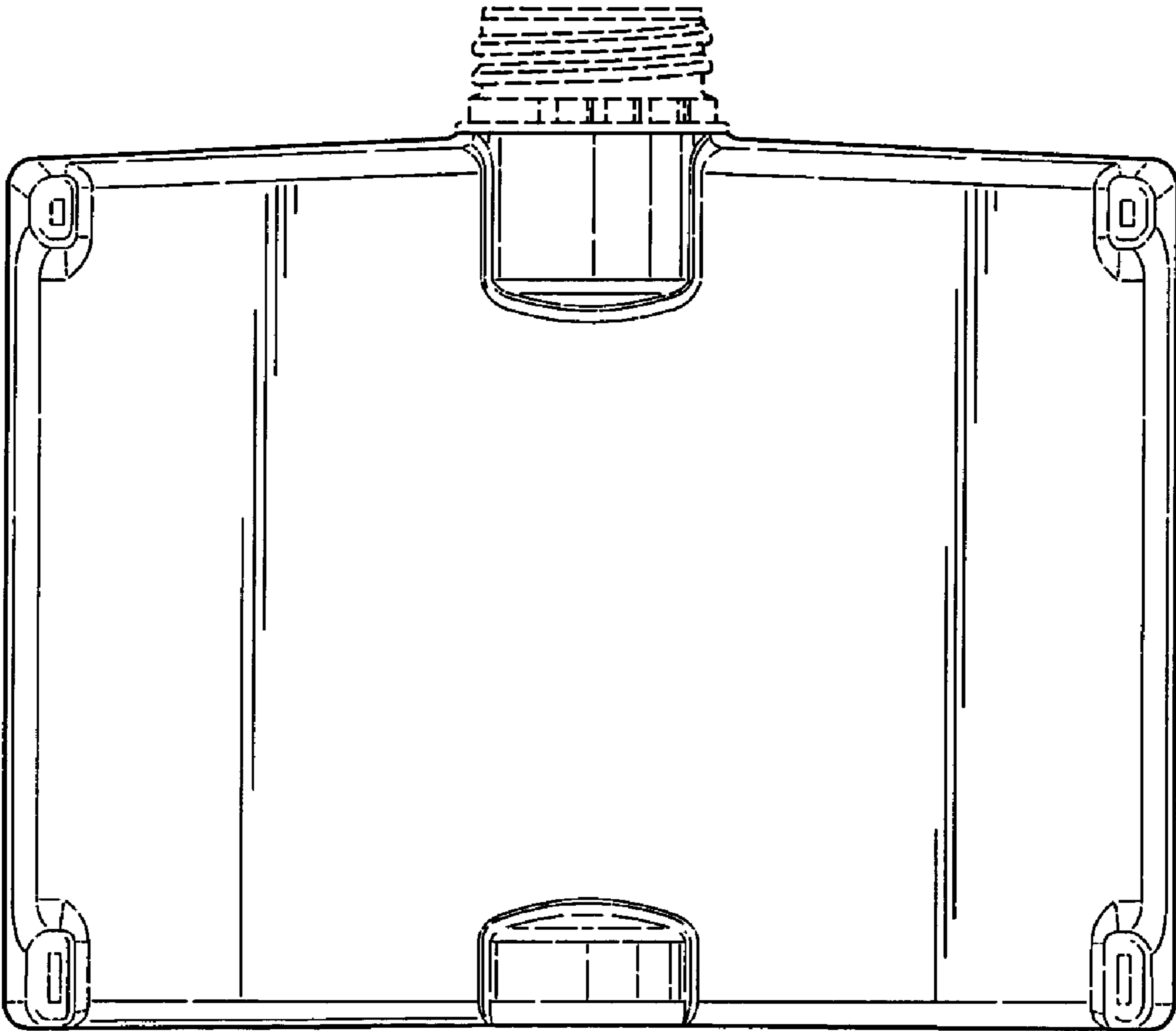


Fig.9.

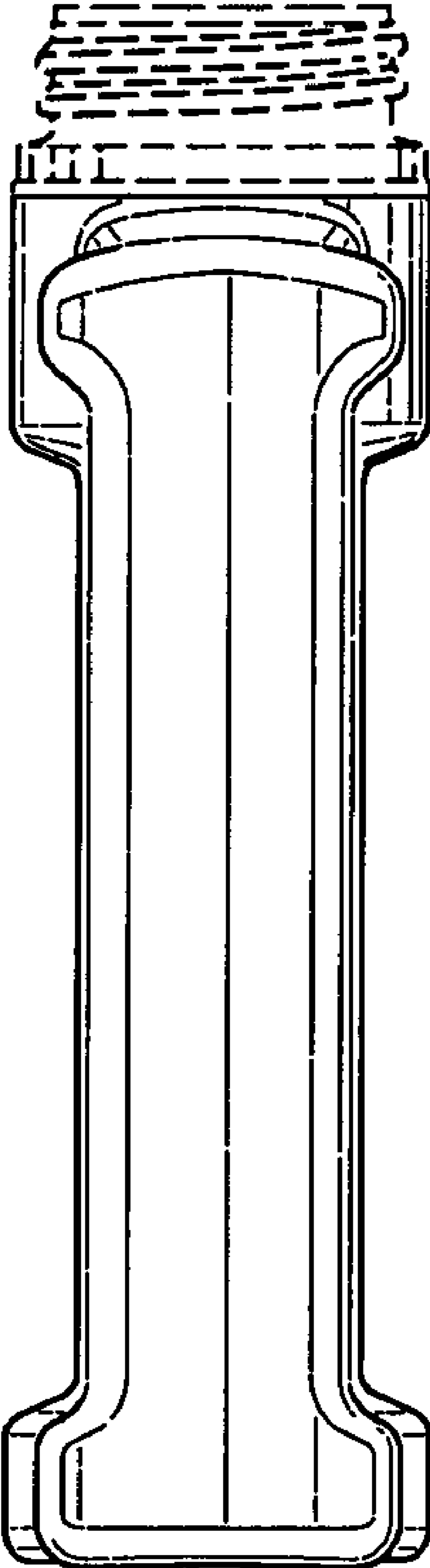


Fig. 10.

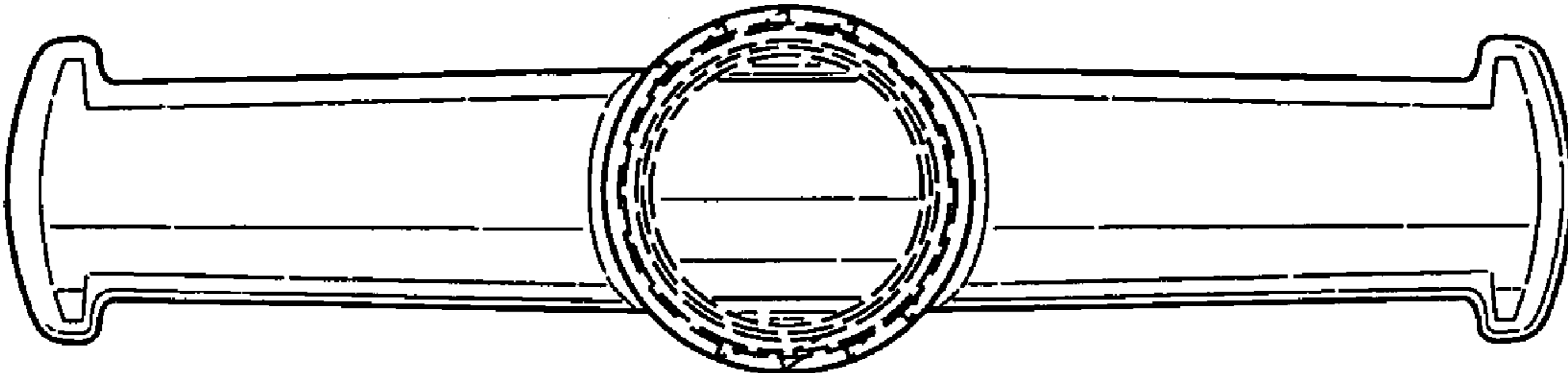


Fig.11.

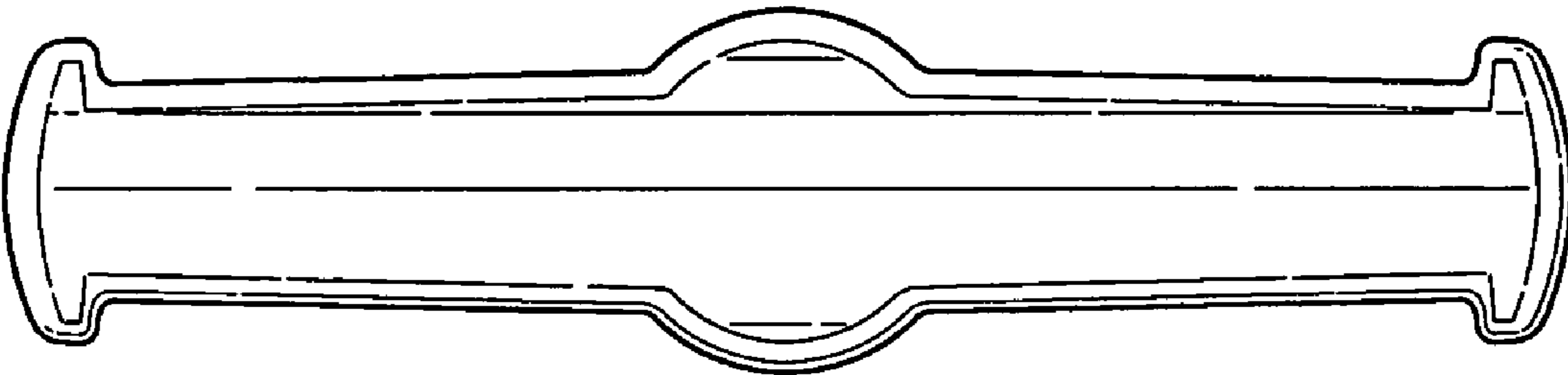


Fig.12.

UNITED STATES PATENT AND TRADEMARK OFFICE
CERTIFICATE OF CORRECTION

PATENT NO. : Des. 597,846 S
APPLICATION NO. : 29/297858
DATED : August 11, 2009
INVENTOR(S) : Daniel Brady

Page 1 of 1

It is certified that error appears in the above-identified patent and that said Letters Patent is hereby corrected as shown below:

Title Page

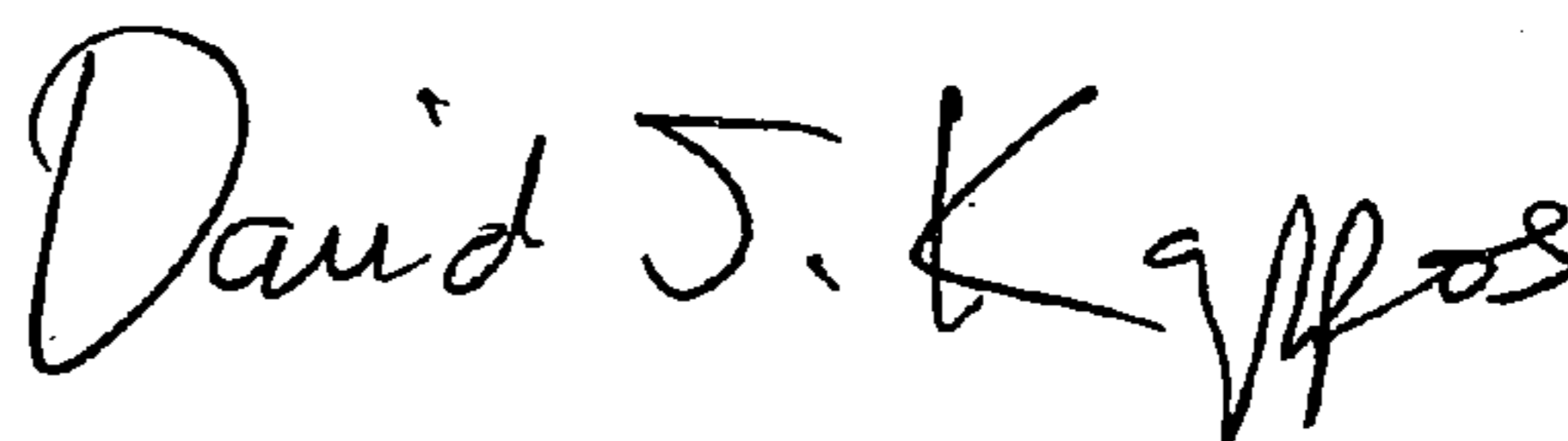
Item [30], the Foreign Application Priority Data:

“May 25, 2007 (EM)000729063-0001” should read

--May 25, 2007 (EM)000729063-0002--.

Signed and Sealed this

Twenty-second Day of December, 2009



David J. Kappos
Director of the United States Patent and Trademark Office